



US00D924996S

(12) **United States Design Patent** (10) **Patent No.:** **US D924,996 S**
Palmer, III (45) **Date of Patent:** **** *Jul. 13, 2021**

(54) **ARM ATTACHMENT DEVICE FOR HEAVY BAG**

(71) Applicant: **Raymond A. Palmer, III**, Goodyear, AZ (US)

(72) Inventor: **Raymond A. Palmer, III**, Goodyear, AZ (US)

(*) Notice: This patent is subject to a terminal disclaimer.

(**) Term: **15 Years**

(21) Appl. No.: **29/642,604**

(22) Filed: **Mar. 30, 2018**

(51) **LOC (13) Cl.** **21-02**

(52) **U.S. Cl.**
USPC **D21/787**; D21/798

(58) **Field of Classification Search**
USPC D21/787, 798, 662, 683, 694, 698, 780, D21/781, 788, 791, 805; D2/624, 629, D2/638; D3/215, 224, 229; D6/552, D6/553; D11/201; 482/83-90
CPC A63B 69/004; A63B 69/20-34; A63B 2244/10; A63B 2244/102; A63B 2244/104; A63B 2244/106; A63B 2225/09; A63B 2225/093

See application file for complete search history.

(56) **References Cited**

U.S. PATENT DOCUMENTS

D169,243 S * 4/1953 Doherty D21/787
D204,647 S * 5/1966 Despres D21/805
5,183,451 A * 2/1993 Hautamaki A63B 69/004
482/127
D344,624 S * 3/1994 Schnel D2/629
5,536,229 A * 7/1996 Albergo A63B 21/00047
482/148

D374,048 S * 9/1996 Lance D21/662
5,722,920 A * 3/1998 Bauer A63B 69/004
482/83
D395,151 S * 6/1998 Maddox D2/614

(Continued)

FOREIGN PATENT DOCUMENTS

DE 102011108055 A1 * 11/2012 A63B 69/004

Primary Examiner — Catherine A Tuttle

(74) Attorney, Agent, or Firm — Dunlap Bennett & Ludwig, PLLC

(57) **CLAIM**

The ornamental design for an arm attachment device for heavy bag, as shown and described.

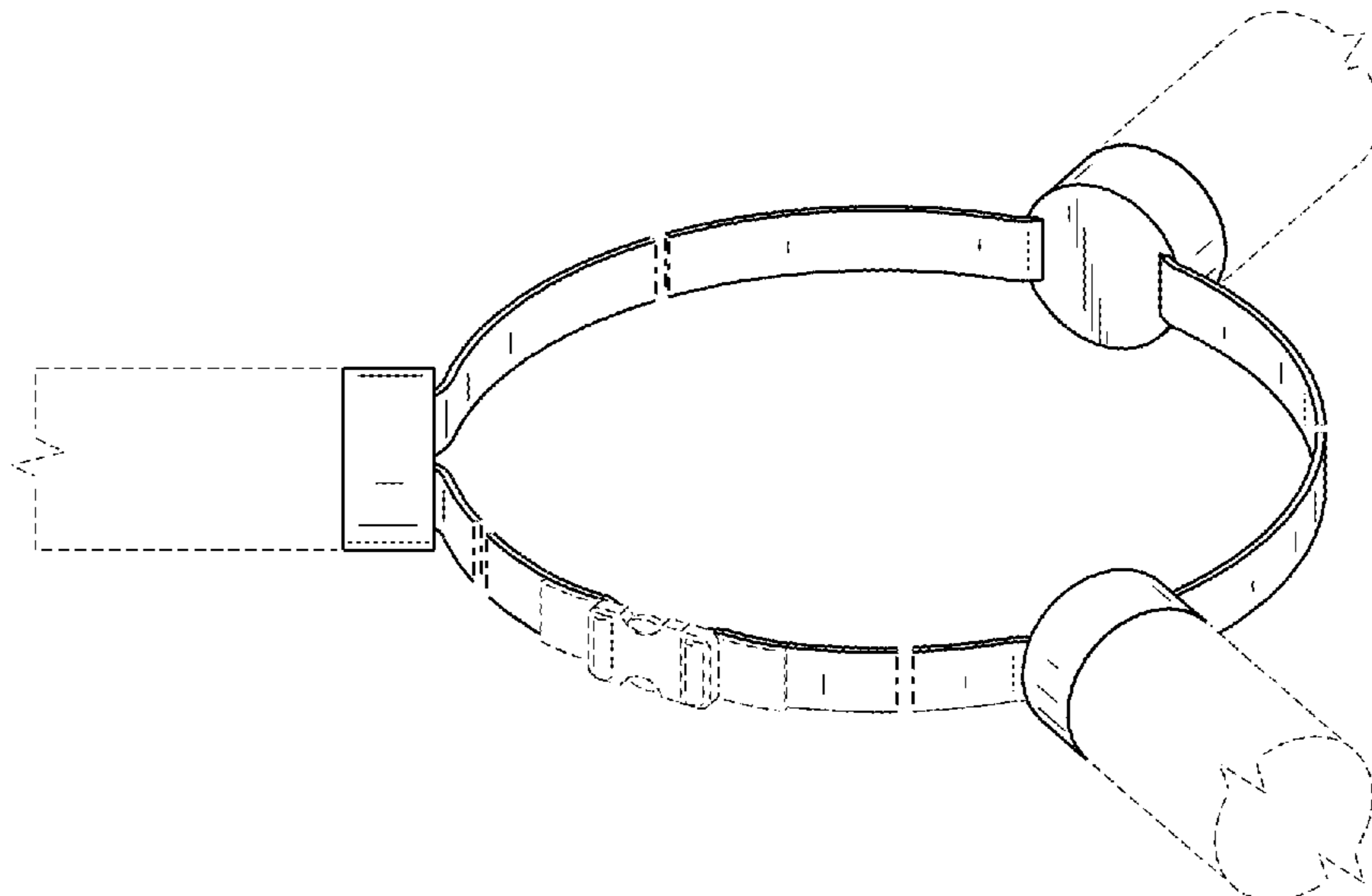
DESCRIPTION

FIG. 1 is a front perspective view of an arm attachment device for heavy bag, showing my new design; FIG. 2 is a front elevation view thereof; FIG. 3 is a rear elevation view thereof; FIG. 4 is a left elevation view thereof, the right elevation view thereof; FIG. 5 is a top plan view thereof, the bottom plan view being an identical image thereof; and, FIG. 6 is a perspective view of the arm attachment device for heavy bag, shown in use.

The dash-dash-dash evenly sized broken lines showing a heavy bag in FIG. 6 and the attached arms throughout the figures depict environmental subject matter that forms no part of the claimed design, while the remaining dash-dash-dash evenly sized broken lines shown in the drawings depict portions of the arm attachment device for heavy bag that form no part of the claimed design.

The dash-dot-dash lines in FIGS. 1-4 and 6 depict the boundaries of the claim within the encircling portion; and it is understood that the claim extends to these boundaries that form no part of the claimed design. The breaks in the encircling portion of FIG. 5 correspond to the boundaries seen in the other figures.

1 Claim, 4 Drawing Sheets



(56)

References Cited

U.S. PATENT DOCUMENTS

5,800,319 A * 9/1998 Choate A63B 69/34
482/83
D404,103 S * 1/1999 Winters D21/791
5,899,835 A * 5/1999 Puranda A63B 69/34
482/83
6,063,011 A * 5/2000 Pelchat A63B 69/004
482/83
6,302,831 B1 * 10/2001 Henry A63B 69/004
482/83
7,150,700 B2 * 12/2006 MacKay A63B 69/004
482/83
D584,785 S * 1/2009 McDonald D21/787
D740,903 S * 10/2015 Siciliano D21/798
9,211,465 B1 * 12/2015 Lambrinos A63B 69/34
D776,209 S * 1/2017 Gilbert D21/683
D792,933 S * 7/2017 Warner D21/787
9,814,959 B1 * 11/2017 Riera A63B 69/004
2002/0193211 A1 * 12/2002 Kao A63B 69/34
482/83
2014/0080681 A1 * 3/2014 Knight A63B 69/004
482/83
2016/0045798 A1 * 2/2016 Holland A63B 67/002
473/502
2018/0093154 A1 * 4/2018 Kim A63B 69/004

* cited by examiner

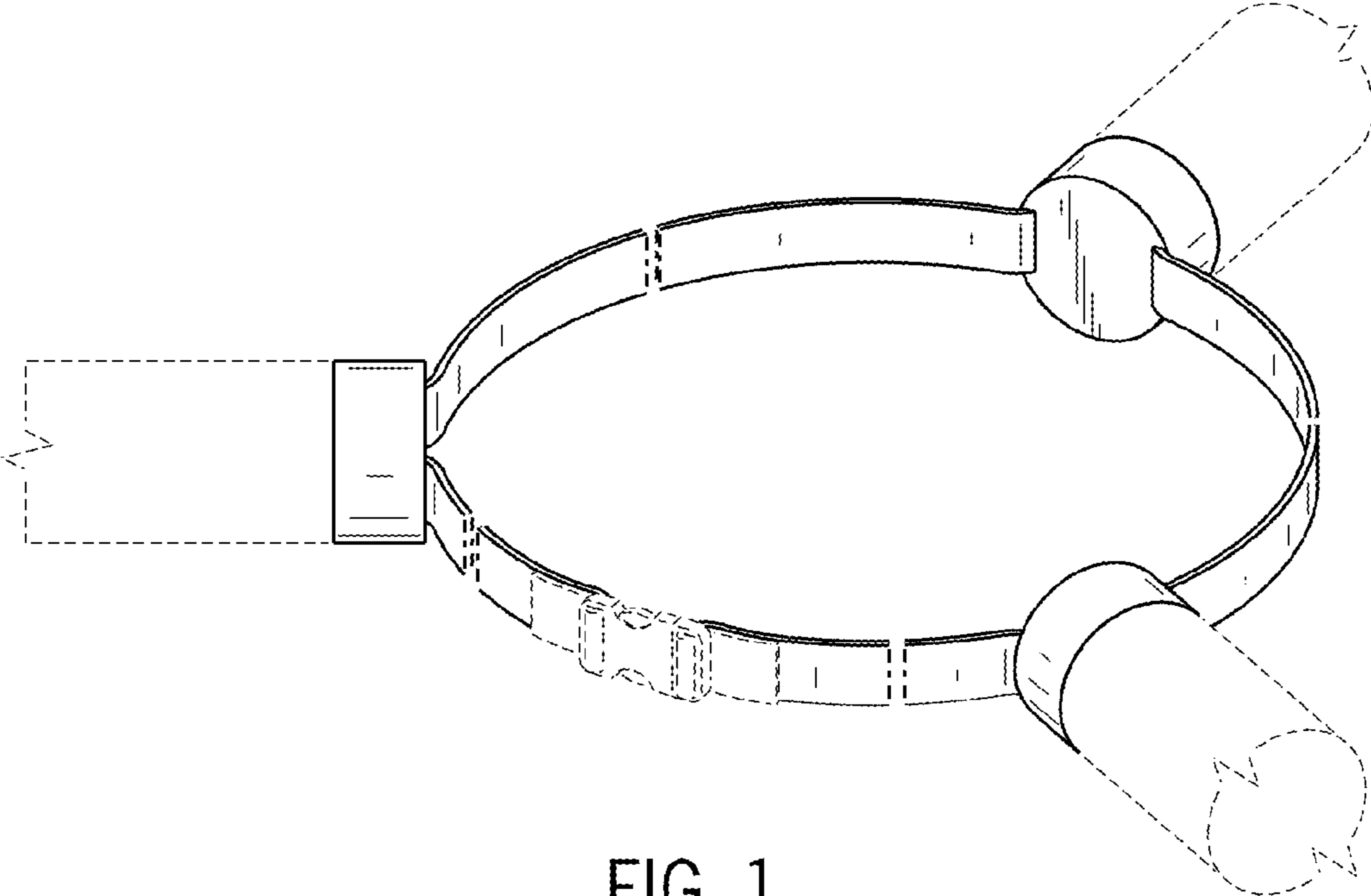


FIG. 1

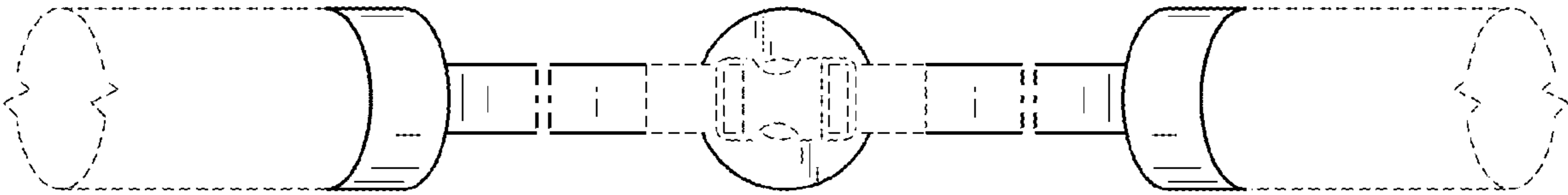


FIG. 2

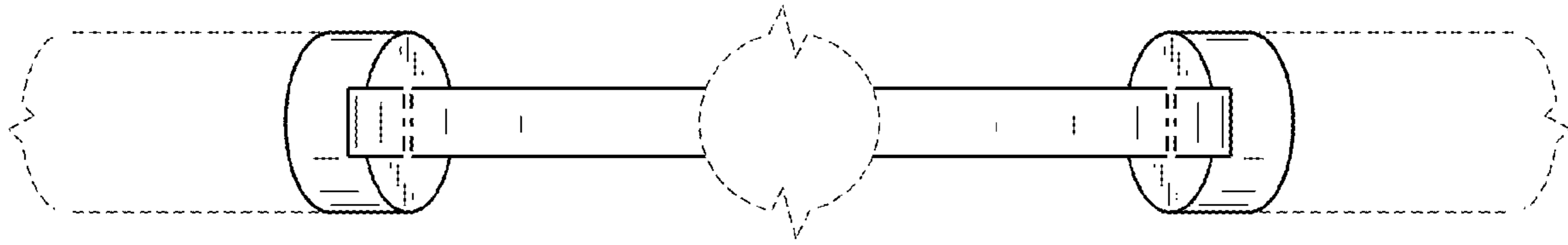


FIG. 3

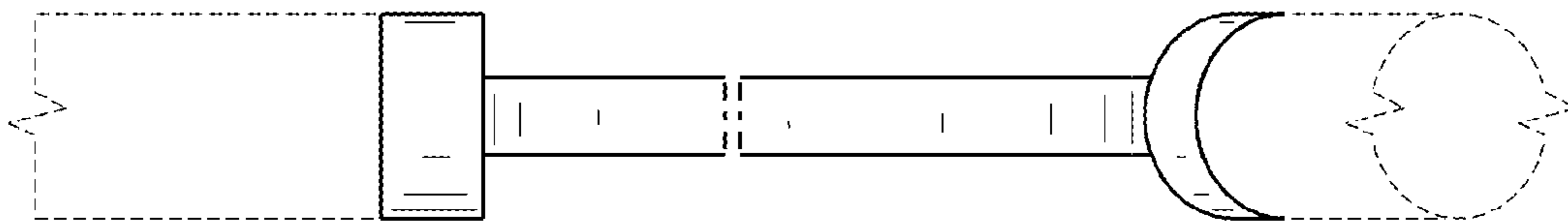


FIG. 4

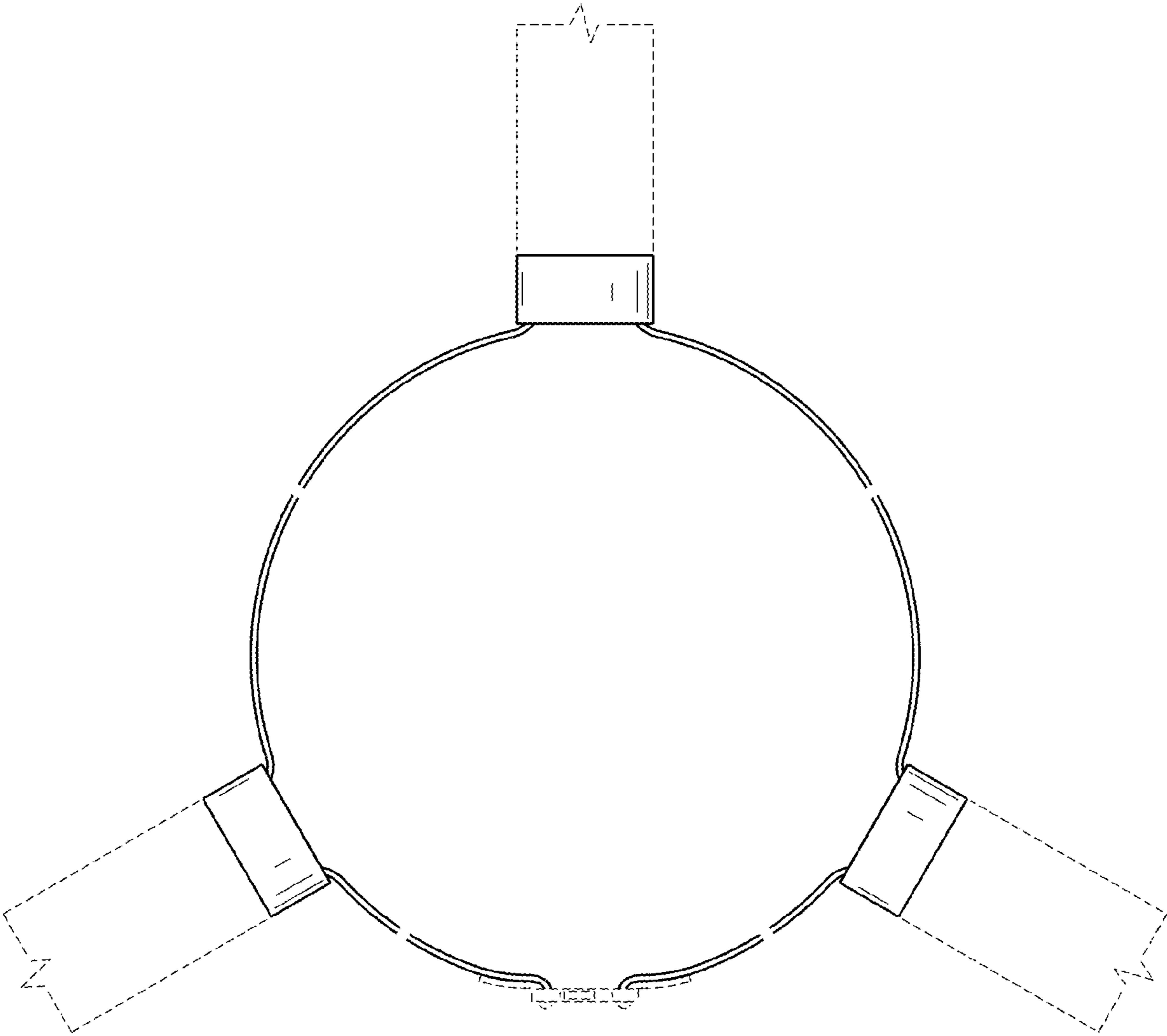


FIG. 5

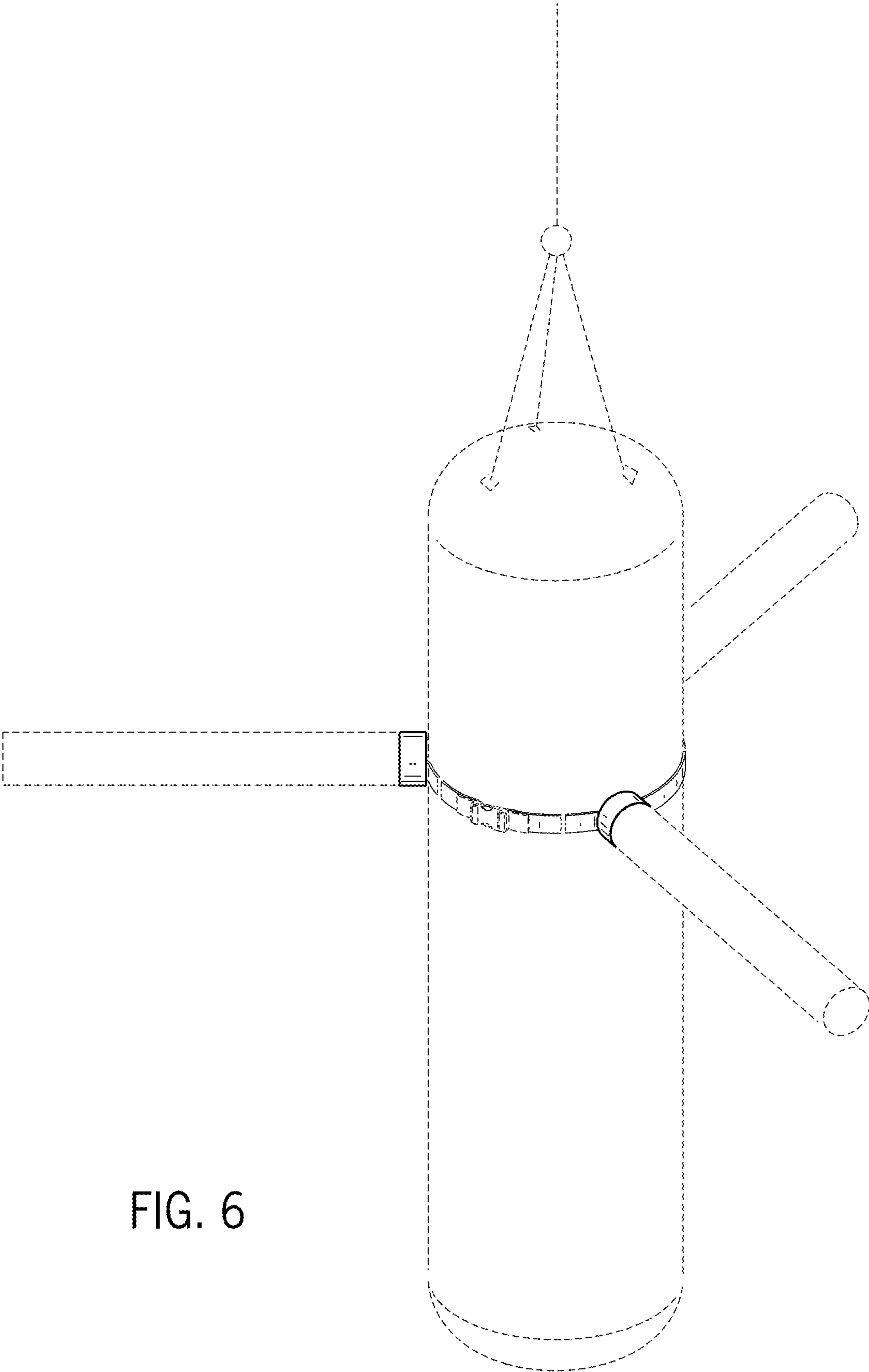


FIG. 6