



US00D924992S

(12) **United States Design Patent** (10) **Patent No.:** **US D924,992 S**  
**Demkowski et al.** (45) **Date of Patent:** **\*\* Jul. 13, 2021**

(54) **GOLF PUTTER**

FOREIGN PATENT DOCUMENTS

(71) Applicant: **Taylor Made Golf Company, Inc.**,  
Carlsbad, CA (US)

WO WO8403447 9/1984

(72) Inventors: **Paul M. Demkowski**, Cardiff, CA  
(US); **Bill Price**, Santa Ana, CA (US);  
**Gustavo Eduardo Alisio**, San Diego,  
CA (US)

OTHER PUBLICATIONS

“Bermuda Triangle Grand Bahama,” Ashdon Golf, retrieved Aug.  
21, 2019 from [www.ashdongolf.com/putter\\_bermuda\\_grand\\_bahama\\_](http://www.ashdongolf.com/putter_bermuda_grand_bahama_features.php)  
[features.php](http://www.ashdongolf.com/putter_bermuda_grand_bahama_features.php) (1 page). Applicant acknowledges this reference has an  
on sale or public use date prior to the filing date of the present  
application.

(73) Assignee: **Taylor Made Golf Company, Inc.**,  
Carlsbad, CA (US)

(Continued)

(\*\*) Term: **15 Years**

*Primary Examiner* — Mitchell I. Siegel

(21) Appl. No.: **29/702,584**

(74) *Attorney, Agent, or Firm* — Klarquist Sparkman LLP

(22) Filed: **Aug. 20, 2019**

(57) **CLAIM**

(51) **LOC (13) Cl.** ..... **21-02**

We claim the ornamental design for a golf putter, as shown  
and described.

(52) **U.S. Cl.**

USPC ..... **D21/759**

**DESCRIPTION**

(58) **Field of Classification Search**

USPC ..... D21/736–746, 759

CPC ..... A63B 53/00; A63B 53/04; A63B 53/007;

A63B 53/065; A63B 53/0487; A63B

60/00; A63B 60/46

See application file for complete search history.

FIG. 1 is a perspective view of a golf putter, as viewed from  
the rear, above and one side.

FIG. 2 is a rear elevation view of a golf putter of FIG. 1.

FIG. 3 is a front elevation view of the golf putter of FIG. 1.

FIG. 4 is a side elevation view of a heel side of the golf  
putter of FIG. 1.

FIG. 5 is a side elevation view of a toe side of the golf putter  
of FIG. 1.

FIG. 6 is a top plan view of the golf putter of FIG. 1.

FIG. 7 is a bottom plan view of the golf putter of FIG. 1; and,

FIG. 8 is a perspective view of the golf putter of FIG. 1, as  
viewed from the front and one side.

The broken lines in the drawings are for purpose of illus-  
trating environmental structure as well as portions of the  
design that form no part of the present claimed design. The  
dash-dot broken lines represent the boundary and form no  
part of the claimed design.

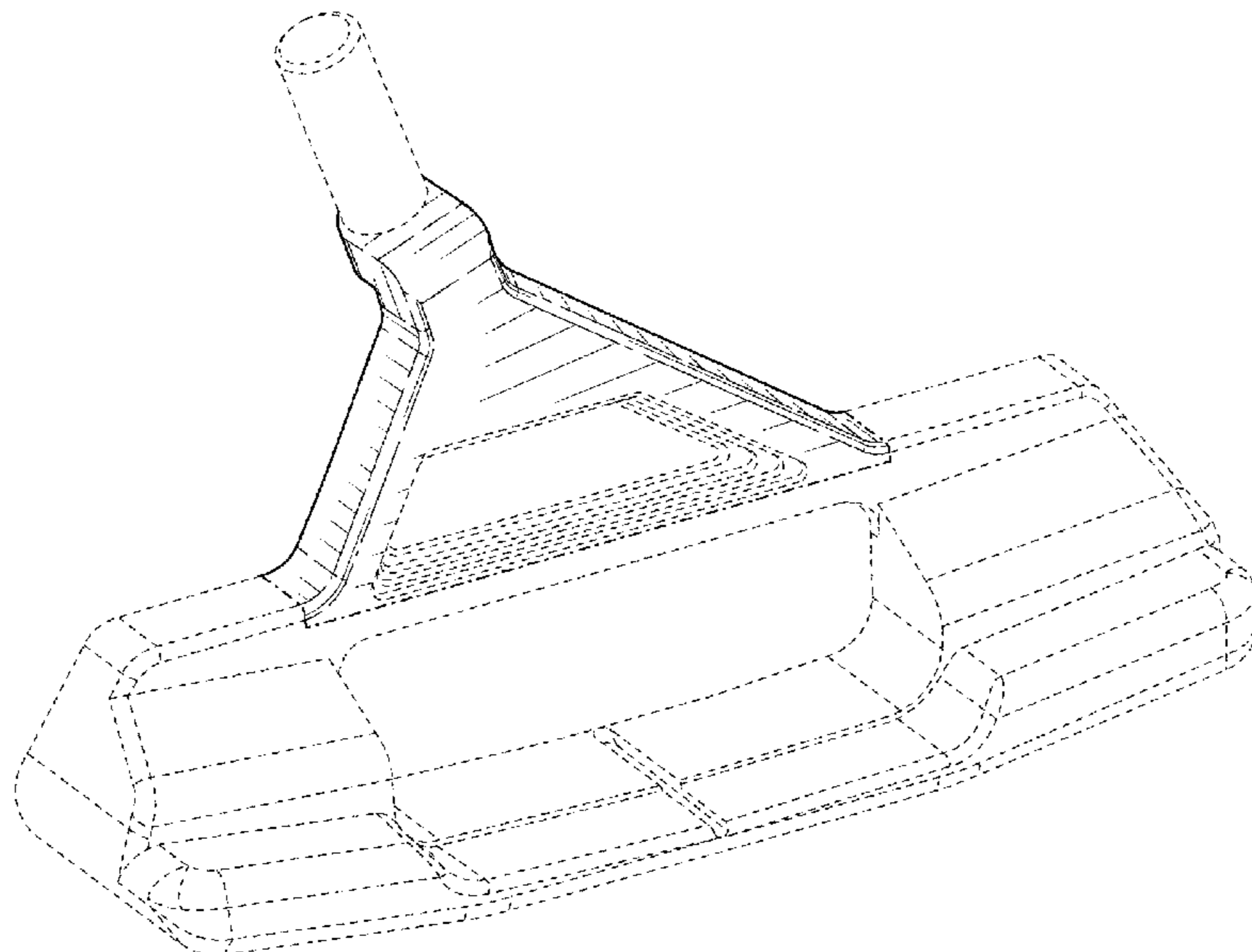
(56) **References Cited**

U.S. PATENT DOCUMENTS

1,116,417 A	11/1914	Hackbarth	
1,517,476 A	12/1924	Tyler	
2,991,082 A	7/1961	Handzlik	
3,206,202 A	9/1965	Evans	
D217,873 S *	6/1970	Steele	D21/740
3,578,332 A	5/1971	Caldwell	
D220,844 S *	6/1971	Letters	D21/740
D223,031 S *	2/1972	Ernst	D21/740
3,966,210 A	6/1976	Rozmus	
D240,749 S *	7/1976	Benson	D21/737

(Continued)

**1 Claim, 5 Drawing Sheets**



(56)

References Cited

U.S. PATENT DOCUMENTS

3,992,015	A *	11/1976	Benson	.....	A63B 53/007 473/312
4,136,877	A	1/1979	Antonius		
D251,077	S *	2/1979	Strop	.....	D21/740
4,147,357	A *	4/1979	Strop	.....	A63B 53/0487 473/251
D282,556	S *	2/1986	Slagle	.....	D21/740
D290,984	S *	7/1987	Antonious	.....	D21/740
D291,106	S *	7/1987	Antonious	.....	D21/740
D293,355	S *	12/1987	Wampler	.....	D21/738
D293,809	S *	1/1988	Antonious	.....	D21/740
D293,926	S *	1/1988	Antonious	.....	D21/740
D293,927	S *	1/1988	Antonious	.....	D21/738
D294,059	S *	2/1988	Antonious	.....	D21/740
D294,158	S *	2/1988	Risk	.....	D21/740
D294,377	S *	2/1988	Antonious	.....	D21/740
D294,512	S *	3/1988	Antonious	.....	D21/740
D294,513	S *	3/1988	Antonious	.....	D21/738
D294,514	S *	3/1988	Antonious	.....	D21/740
D299,043	S	12/1988	Antonius		
D305,055	S	12/1989	Antonius		
4,948,140	A	8/1990	Antonius		
4,951,949	A *	8/1990	Kastenhuber	.....	A63B 53/0487 473/313
4,984,794	A	1/1991	Pernelle et al.		
D317,961	S	7/1991	Antonius		
D317,963	S	7/1991	Antonius		
D318,088	S	7/1991	Antonius		
D318,089	S	7/1991	Antonius		
D322,108	S	12/1991	Antonius		
D322,112	S *	12/1991	Kastenhuber	.....	D21/740
D322,646	S	12/1991	Antonius		
D322,647	S	12/1991	Antonius		
5,083,778	A	1/1992	Douglass		
5,167,416	A	12/1992	Painter		
D362,705	S *	9/1995	Sprecher	.....	D21/738
5,505,447	A *	4/1996	Mockovak	.....	A63B 53/02 473/308
5,577,968	A *	11/1996	Pritchett	.....	A63B 60/00 473/305
D397,751	S *	9/1998	Karagozian	.....	D21/742
D400,629	S *	11/1998	Markwardt	.....	D21/736
D410,054	S *	5/1999	Yu	.....	D21/736
D419,213	S *	1/2000	Pritchett	.....	D21/744
6,068,560	A	5/2000	DeLuca		
6,110,057	A	8/2000	McKinnon		
D434,819	S	12/2000	Hoare		
D616,052	S *	5/2010	Chung	.....	D21/738
D728,046	S *	4/2015	Chung	.....	D21/743
D797,871	S *	9/2017	Sebo	.....	D21/736
2002/0086739	A1	7/2002	Chiu		
2005/0153792	A1	7/2005	Iacullo		
2010/0184531	A1	7/2010	Hwang		

OTHER PUBLICATIONS

“Bermuda Triangle Polar White,” Ashdon Golf, retrieved Aug. 21, 2019 from [www.ashdongolf.com/putter\\_atlantis\\_polar\\_white\\_overview.php](http://www.ashdongolf.com/putter_atlantis_polar_white_overview.php) (1 page). Applicant acknowledges this reference has an on sale or public use date prior to the filing date of the present application.

“RH Titleist SP-203 Dead Center Putter, 34.25" Inch Steel Shaft #FL181,” Ebay, retrieved Aug. 21, 2019 from [www.ebay.com/itm/RH-Titleist-SP-203-Dead-Center-Putter-34-25-Inch-Steel-Shaft-FL181/163599124769?hash=item2617448921:g:CoAAAOSwwPtcjGUu](http://www.ebay.com/itm/RH-Titleist-SP-203-Dead-Center-Putter-34-25-Inch-Steel-Shaft-FL181/163599124769?hash=item2617448921:g:CoAAAOSwwPtcjGUu) (1 page). Applicant acknowledges this reference has an on sale or public use date prior to the filing date of the present application.

“Titleist Dead Center SP-301 Putter w/ Original Grip,” Ebay, retrieved Aug. 21, 2019 from [www.ebay.com/itm/Titleist-Dead-Center-SP-301-Putter-w-Original-Grip/123704466306?hash=itemlccd5c5b82:g:9z8AAOSw7tcbdCK](http://www.ebay.com/itm/Titleist-Dead-Center-SP-301-Putter-w-Original-Grip/123704466306?hash=itemlccd5c5b82:g:9z8AAOSw7tcbdCK) (1 page). Applicant acknowledges this reference has an on sale or public use date prior to the filing date of the present application.

“IDS Center Shot Putter Golf Club—Right or Left Hand!! Mirror Image,” Ebay, retrieved Aug. 21, 2019 from [www.ebay.com/itm/IDS-CENTER-SHOT-PUTTER-GOLF-CLUB-RIGHT-OR-LEFT-HAND-MIRROR-IMAGE/323772212591?hash=item4b6253e56f:g:D00AAOSw4EpbEp5F](http://www.ebay.com/itm/IDS-CENTER-SHOT-PUTTER-GOLF-CLUB-RIGHT-OR-LEFT-HAND-MIRROR-IMAGE/323772212591?hash=item4b6253e56f:g:D00AAOSw4EpbEp5F) (1 page). Applicant acknowledges this reference has an on sale or public use date prior to the filing date of the present application.

“Taylormade Pro-Formance 205 Putter / Steel Shaft / 35" / RH,” Ebay, retrieved Aug. 21, 2019 from [www.ebay.com/itm/TAYLORMADE-PRO-FORMANCE-205-PUTTER-STEEL-SHAFT-35-RH/123879904270?hash=itemlcd7d1540e:g:Yk8AAOSwtQZdWwhq](http://www.ebay.com/itm/TAYLORMADE-PRO-FORMANCE-205-PUTTER-STEEL-SHAFT-35-RH/123879904270?hash=itemlcd7d1540e:g:Yk8AAOSwtQZdWwhq) (1 page). Applicant acknowledges this reference has an on sale or public use date prior to the filing date of the present application.

“Taylormade TC1 TC.1 Putter,” Ebay, retrieved Aug. 21, 2019 from [www.ebay.com/itm/Taylormade-TC1-TC-1-Putter/352393586927?hash=item520c4b68ef:g:rQ0AAOSwZKRbN-EK](http://www.ebay.com/itm/Taylormade-TC1-TC-1-Putter/352393586927?hash=item520c4b68ef:g:rQ0AAOSwZKRbN-EK) (1 page). Applicant acknowledges this reference has an on sale or public use date prior to the filing date of the present application.

“Golf Putter Taylor Made Hb.1—Original 35,” Ebay, retrieved Aug. 21, 2019 from [www.ebay.com/itm/Golf-Putter-TAYLOR-MADE-Hb-1-Original-35/362396368592?hash=item54608lbed0:g:TaMAAOSwafhbWK35:sc:USPSPriority!97204!US!-1](http://www.ebay.com/itm/Golf-Putter-TAYLOR-MADE-Hb-1-Original-35/362396368592?hash=item54608lbed0:g:TaMAAOSwafhbWK35:sc:USPSPriority!97204!US!-1) (1 page). Applicant acknowledges this reference has an on sale or public use date prior to the filing date of the present application.

“Taylormade Cb.1 Golf Club Putter,” Ebay, retrieved Aug. 21, 2019 from [www.ebay.com/itm/TAYLORMADE-Cb-1-Golf-Club-Putter/283195539148?hash=item4lefc4fecc:g:QGgAAOSw2DdbPqc4:sc:USPSPriority!97204!US!-1](http://www.ebay.com/itm/TAYLORMADE-Cb-1-Golf-Club-Putter/283195539148?hash=item4lefc4fecc:g:QGgAAOSw2DdbPqc4:sc:USPSPriority!97204!US!-1) (1 page). Applicant acknowledges this reference has an on sale or public use date prior to the filing date of the present application.

\* cited by examiner

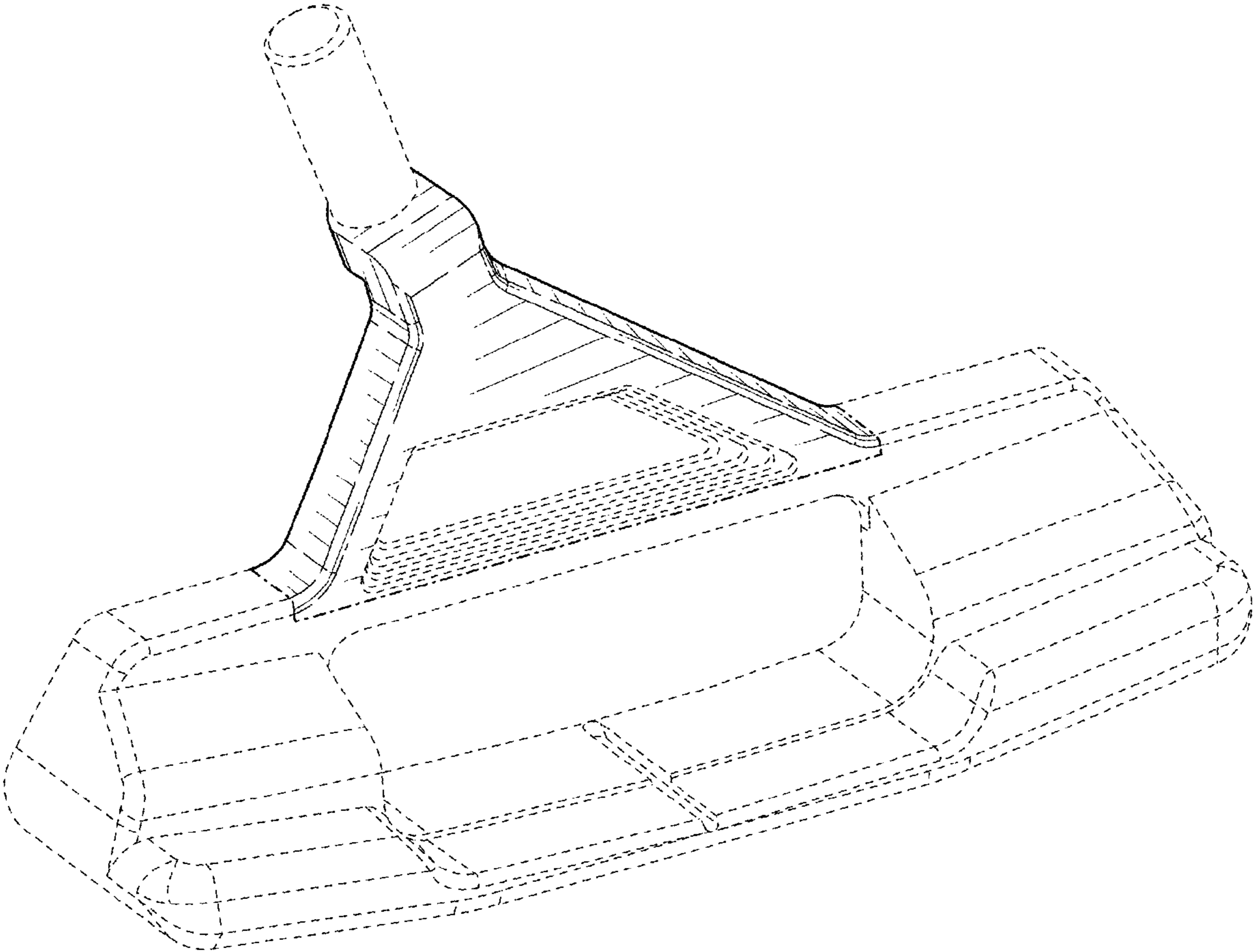


FIG. 1

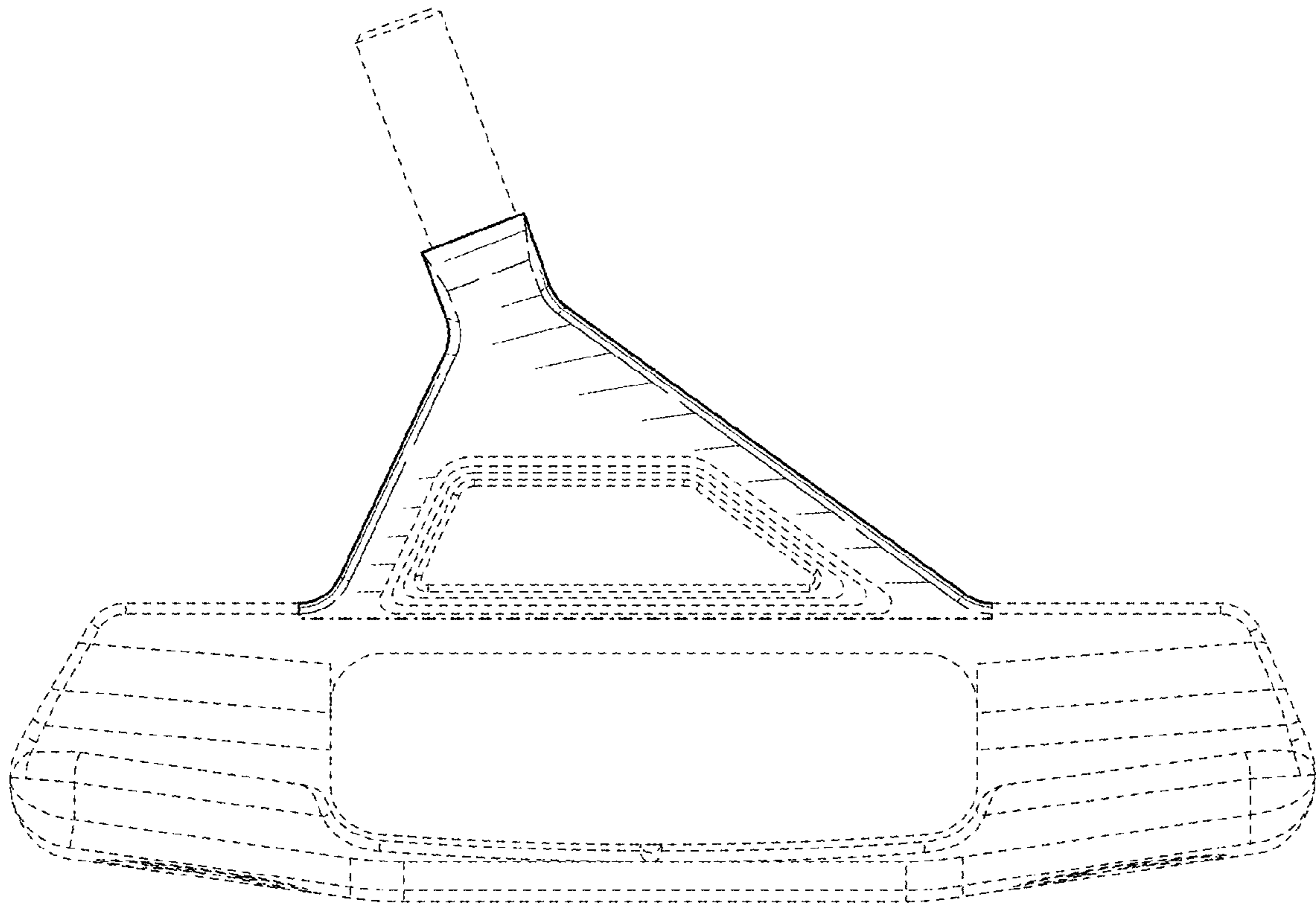


FIG. 2

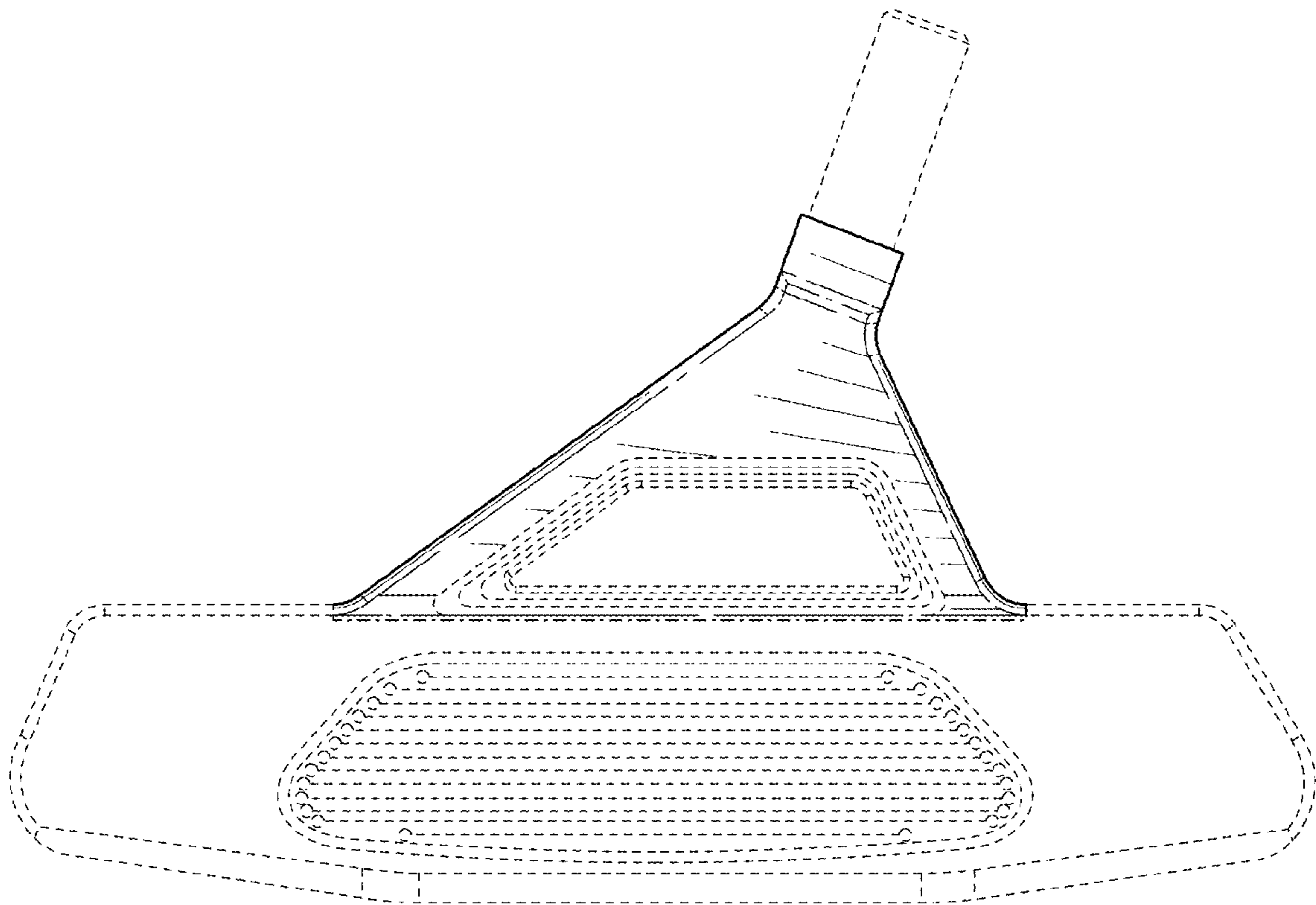


FIG. 3

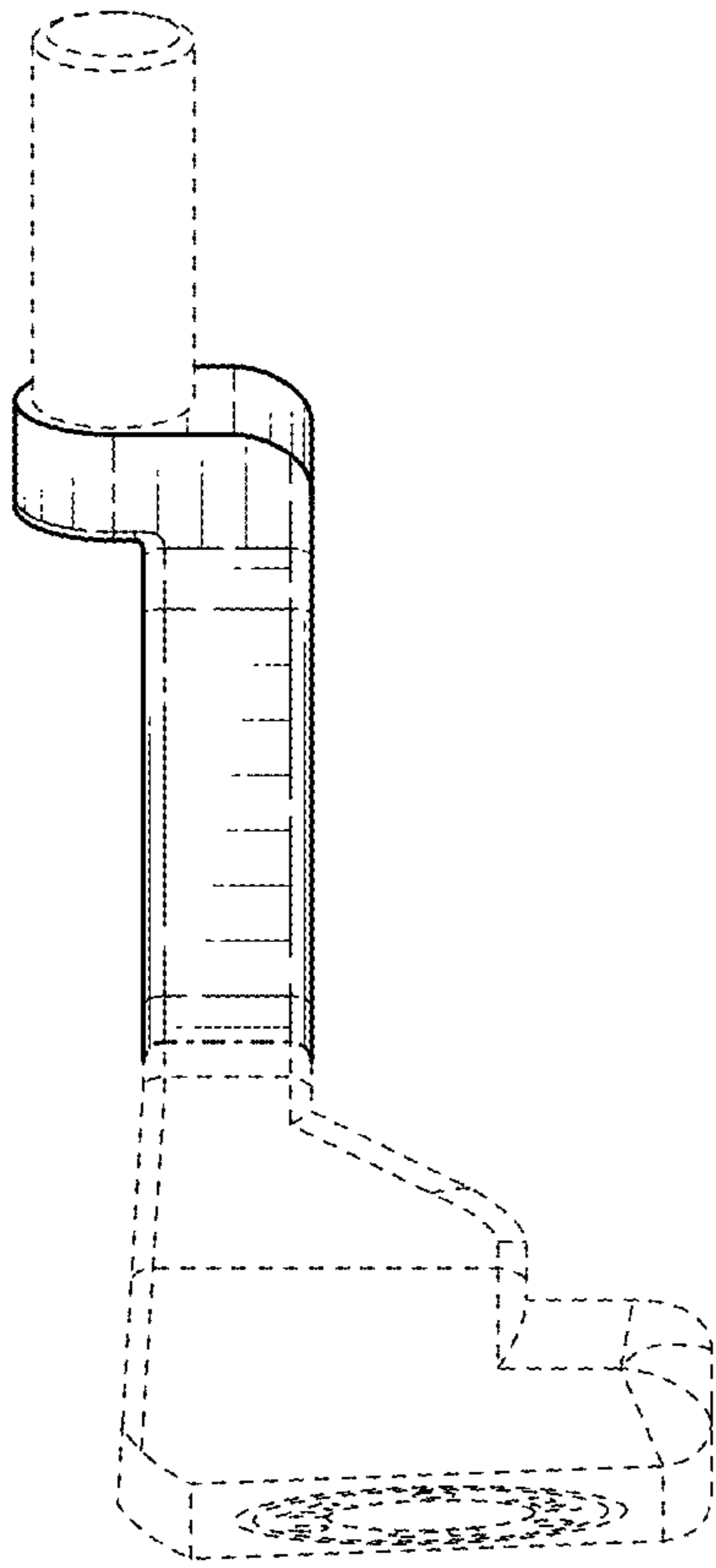


FIG. 4

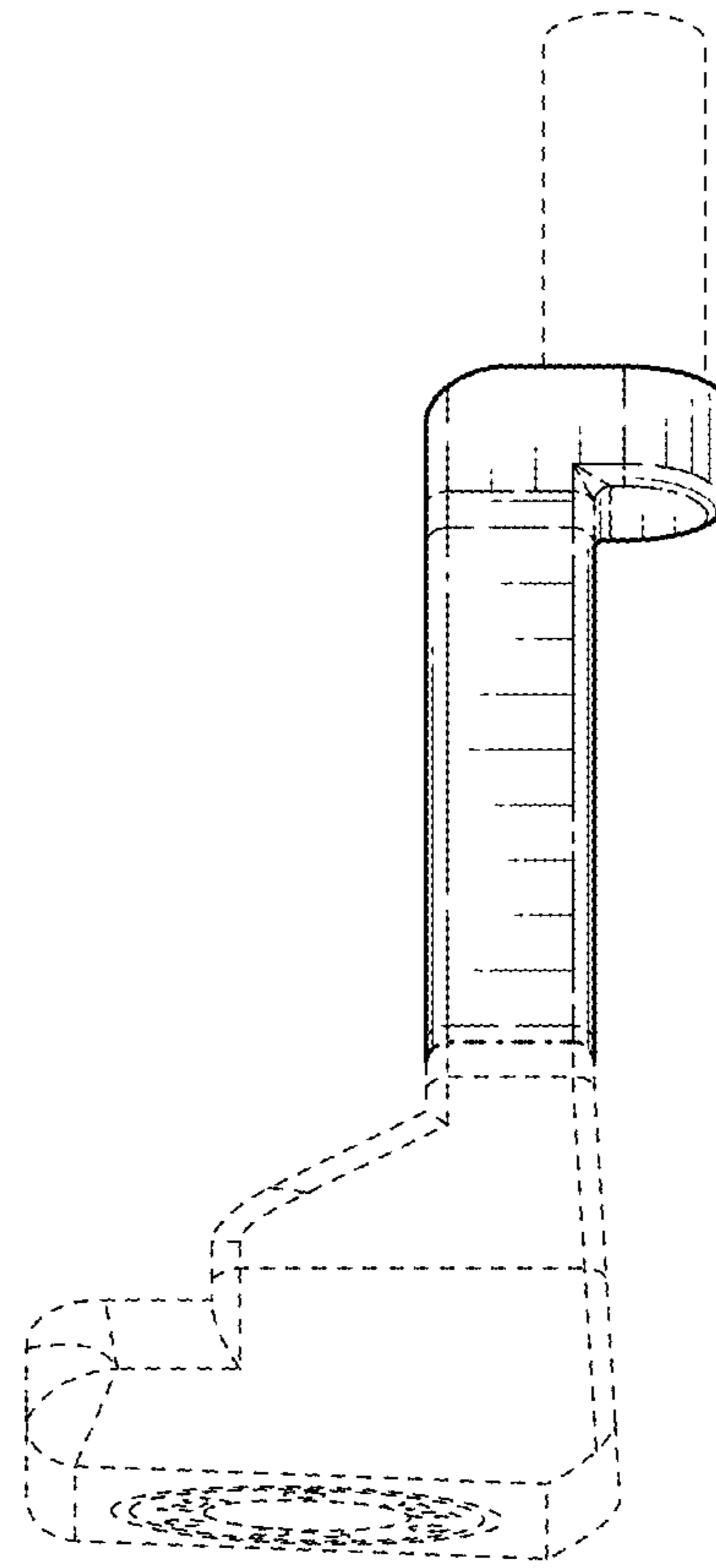


FIG. 5

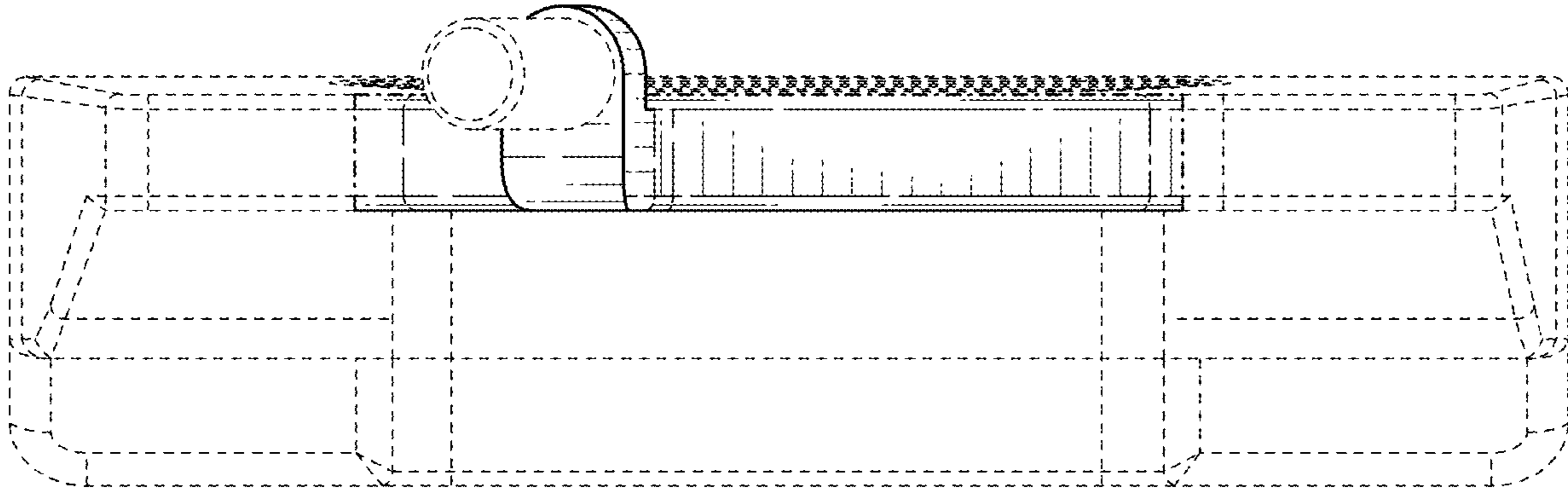


FIG. 6

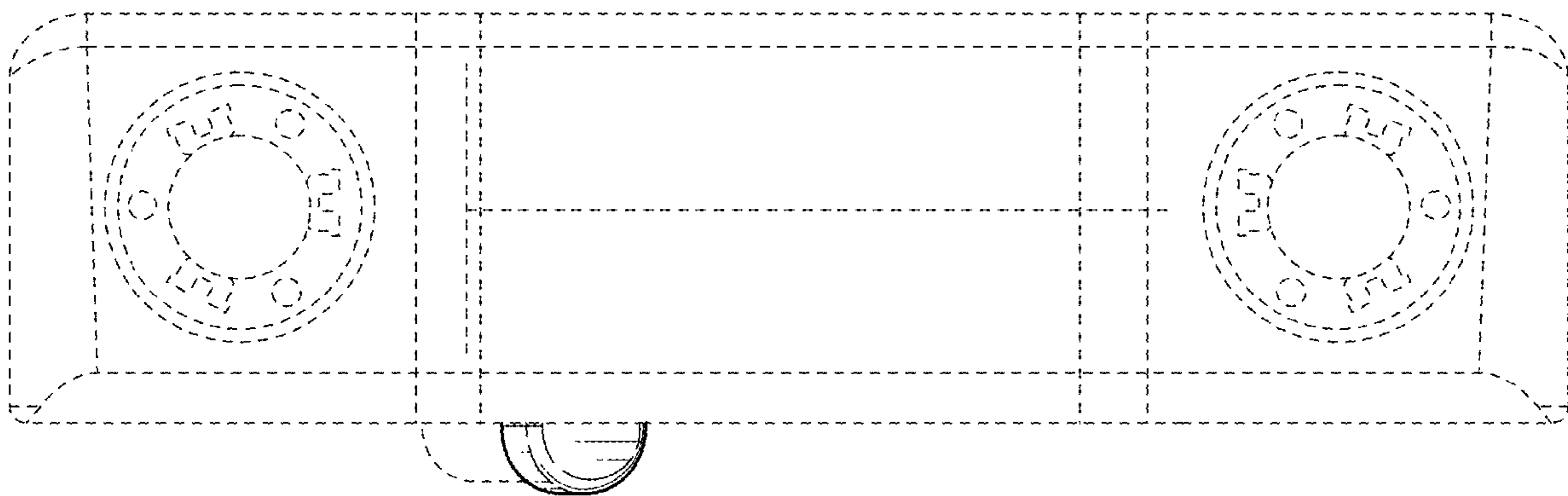


FIG. 7

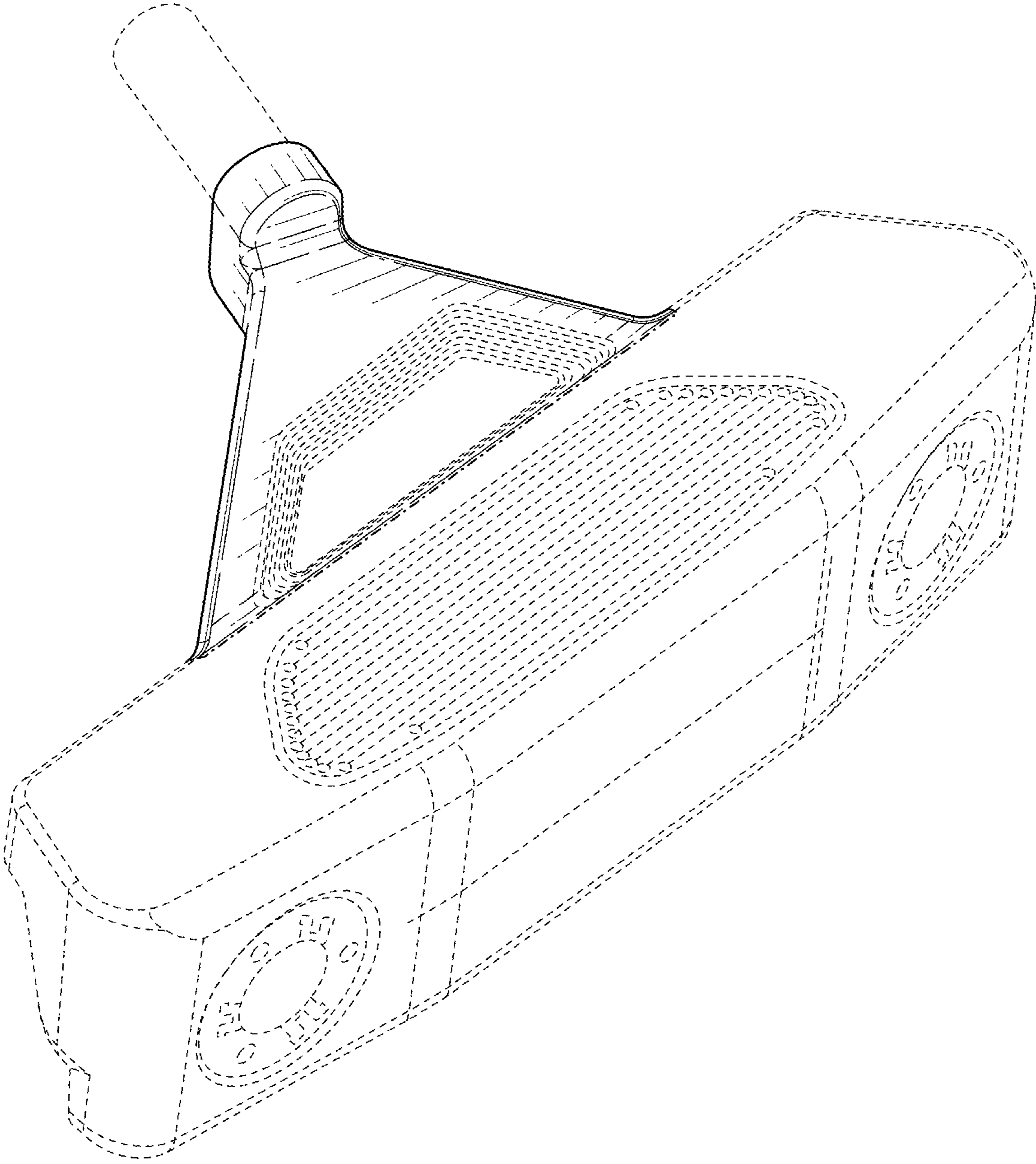


FIG. 8