



US00D924989S

(12) **United States Design Patent**  
**Kuan**

(10) **Patent No.:** **US D924,989 S**

(45) **Date of Patent:** **\*\* Jul. 13, 2021**

(54) **BICYCLE FRAME**

(71) Applicant: **Huan-Chang Kuan**, Pingtung County (TW)

(72) Inventor: **Huan-Chang Kuan**, Pingtung County (TW)

(\*\*) Term: **15 Years**

(21) Appl. No.: **29/655,645**

(22) Filed: **Jul. 5, 2018**

(51) **LOC (13) Cl.** ..... **21-02**

(52) **U.S. Cl.**  
USPC ..... **D21/697**

(58) **Field of Classification Search**  
USPC ..... D21/663, 419, 432, 435, 667, 666, 668, D21/690, 676, 691, 662, 675, 686, 687, D21/694, 695, 697; D12/108, 109, 111, D12/112, 113, 124, 178, 411, 345, 117, D12/133, 402, 407, 416, 432, 538, 663, D12/664, 667, 694, 695, 697, 824  
CPC ..... A61H 1/0274; A63B 22/00; A63B 22/04; A63B 21/00; A63B 21/06  
See application file for complete search history.

(56) **References Cited**

**U.S. PATENT DOCUMENTS**

5,348,321 A \* 9/1994 Sbrilli ..... A63C 17/06  
280/11.222

D374,900 S \* 10/1996 Taylor ..... D21/764  
D387,833 S \* 12/1997 Taylor ..... D21/764  
D795,754 S \* 8/2017 Zellers, Sr. .... D12/133  
2018/0071565 A1\* 3/2018 Gomberg ..... A63B 69/16

\* cited by examiner

*Primary Examiner* — Khawaja Anwar

*Assistant Examiner* — Julice Seung Eun Oum

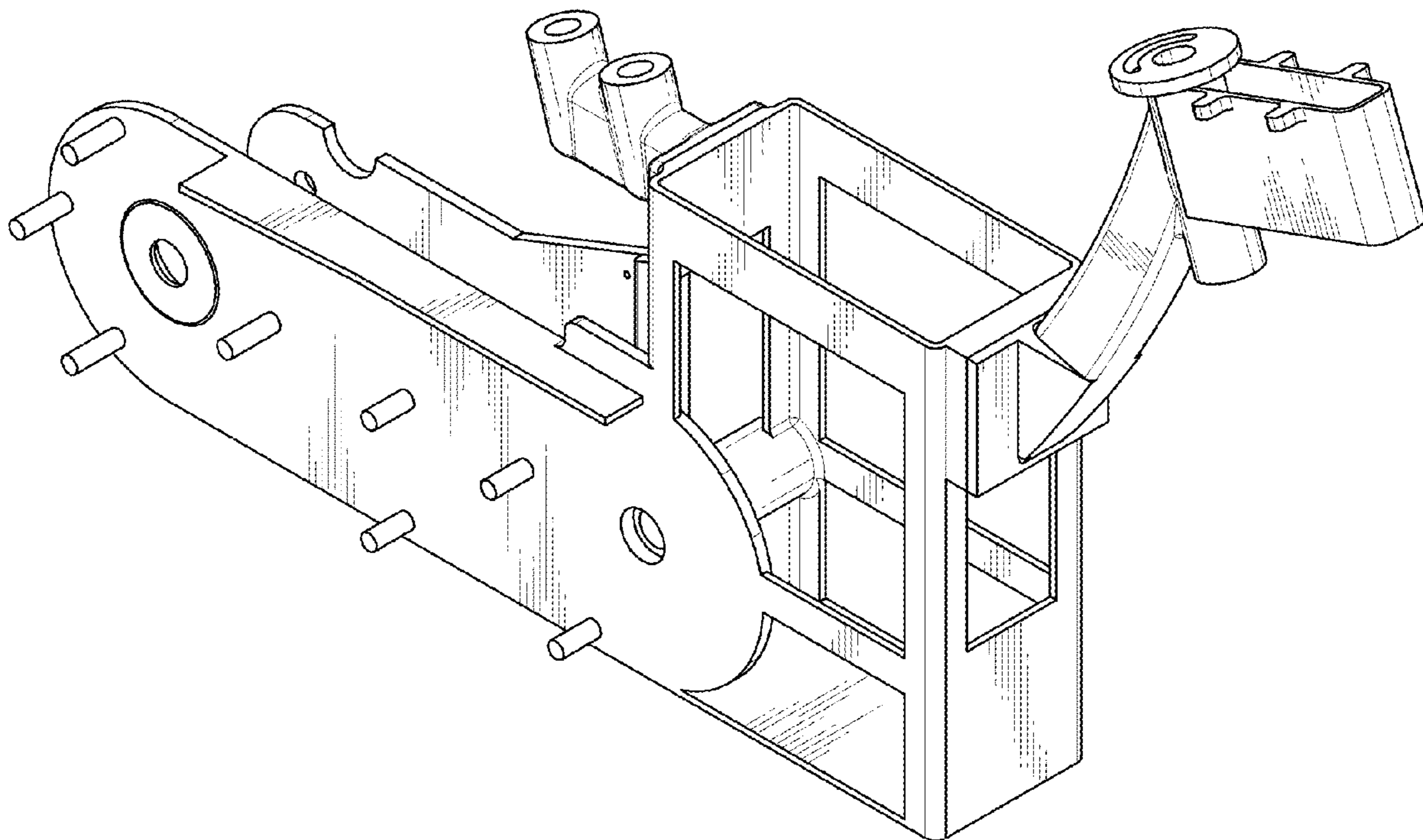
(57) **CLAIM**

The ornamental design for a bicycle frame, as shown and described.

**DESCRIPTION**

FIG. 1 is a perspective view of a bicycle frame showing my new design;  
FIG. 2 is a front elevational view thereof;  
FIG. 3 is a rear elevational view thereof;  
FIG. 4 is a left side elevational view thereof;  
FIG. 5 is a right side elevational view thereof;  
FIG. 6 is a top plan view thereof; and,  
FIG. 7 is a bottom plan view thereof.

**1 Claim, 7 Drawing Sheets**



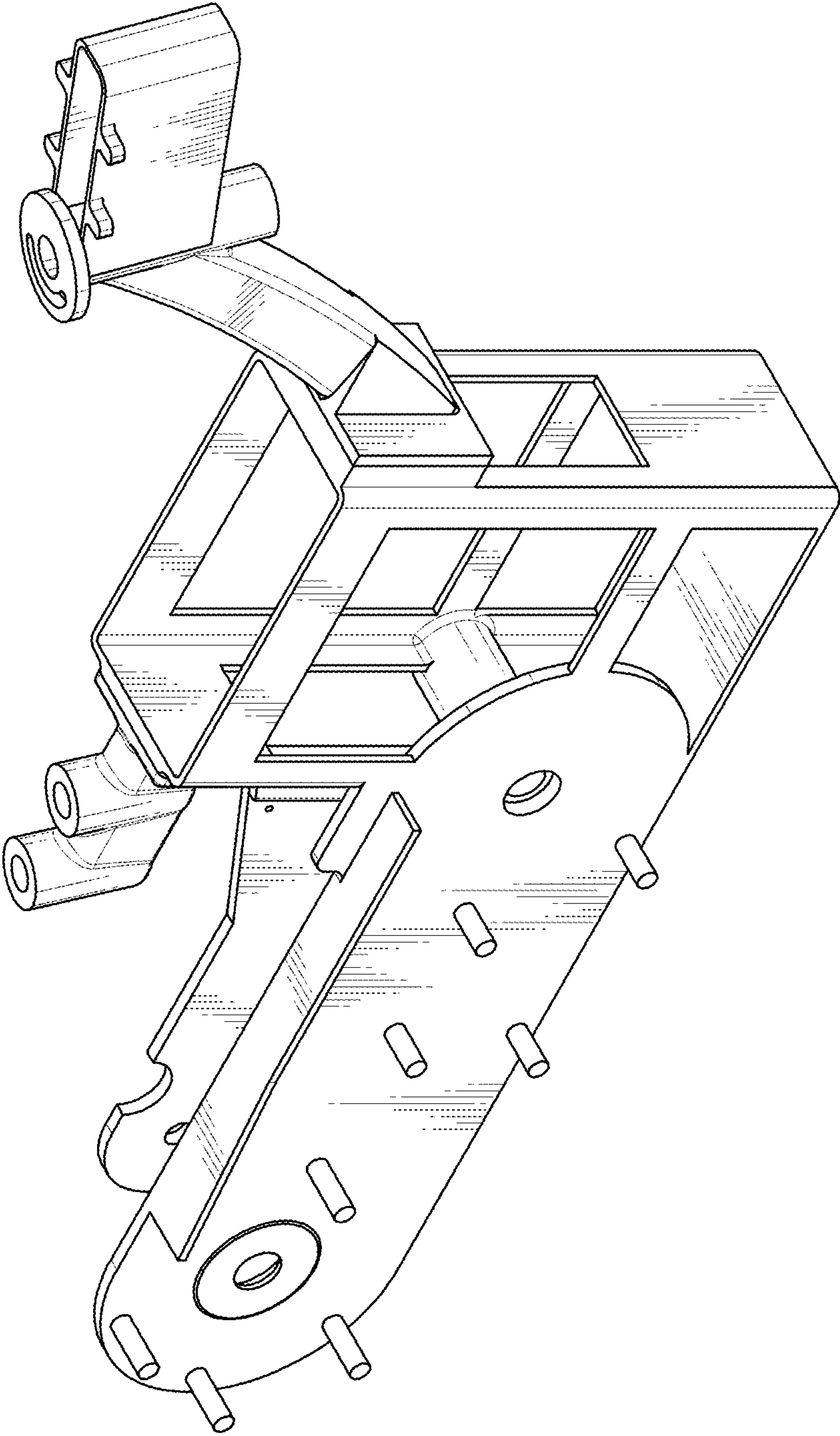


FIG. 1

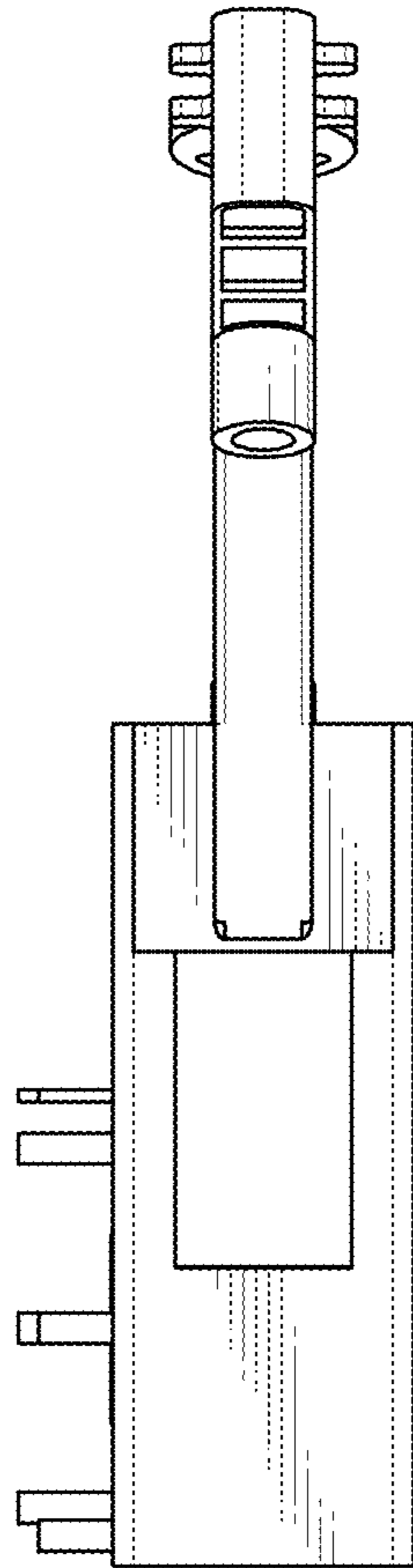


FIG.2

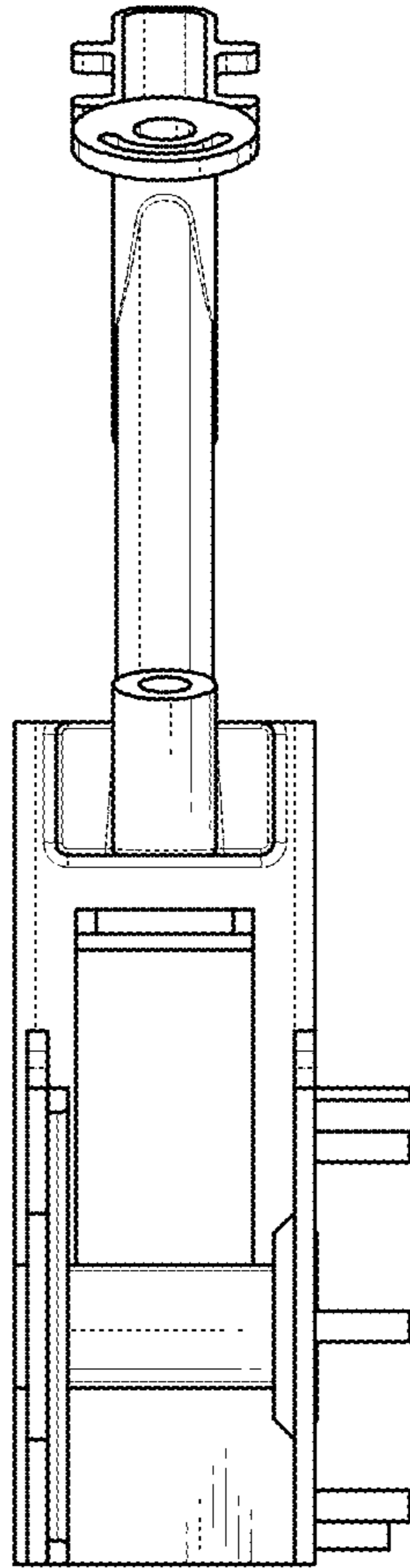


FIG.3

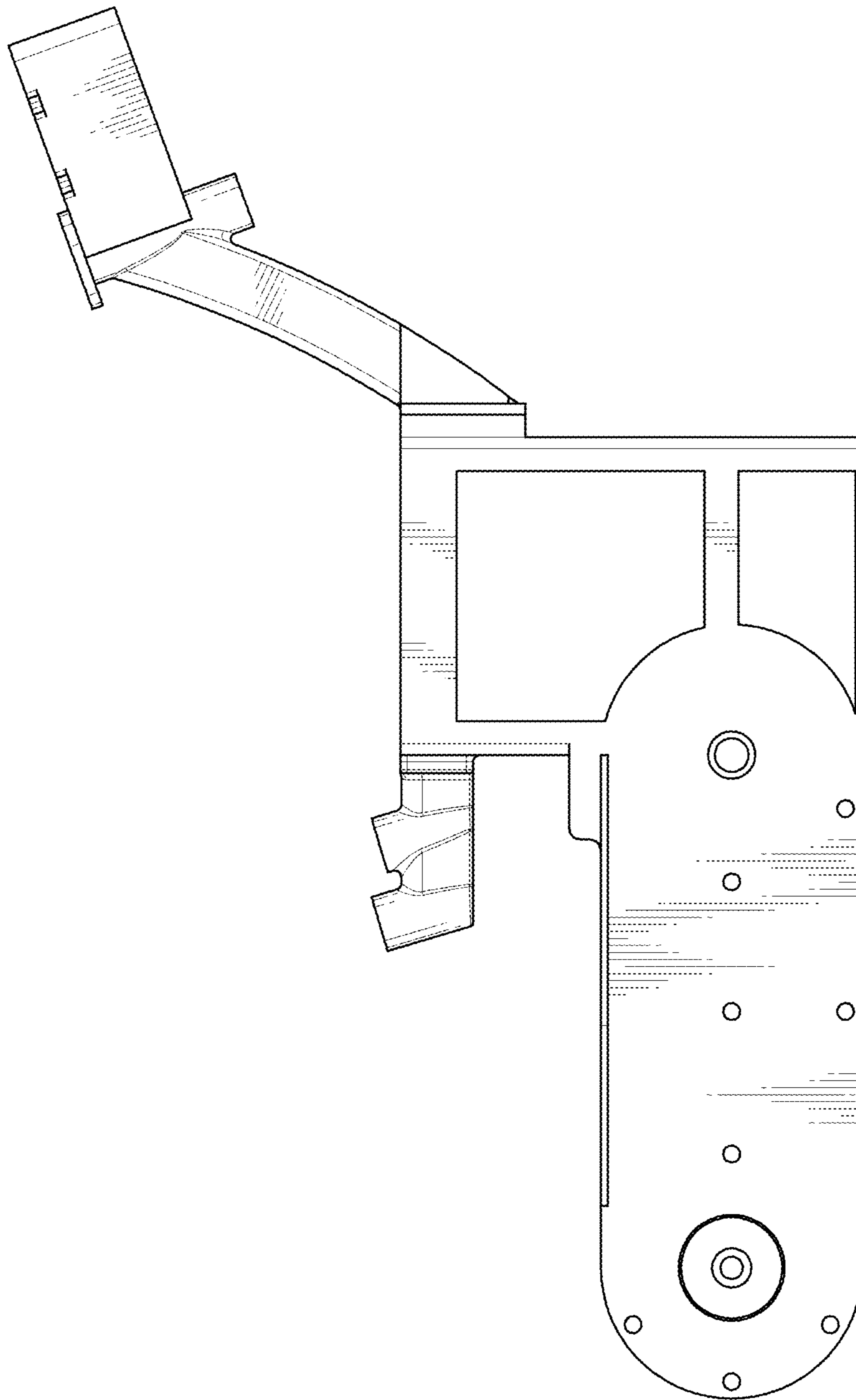


FIG. 4

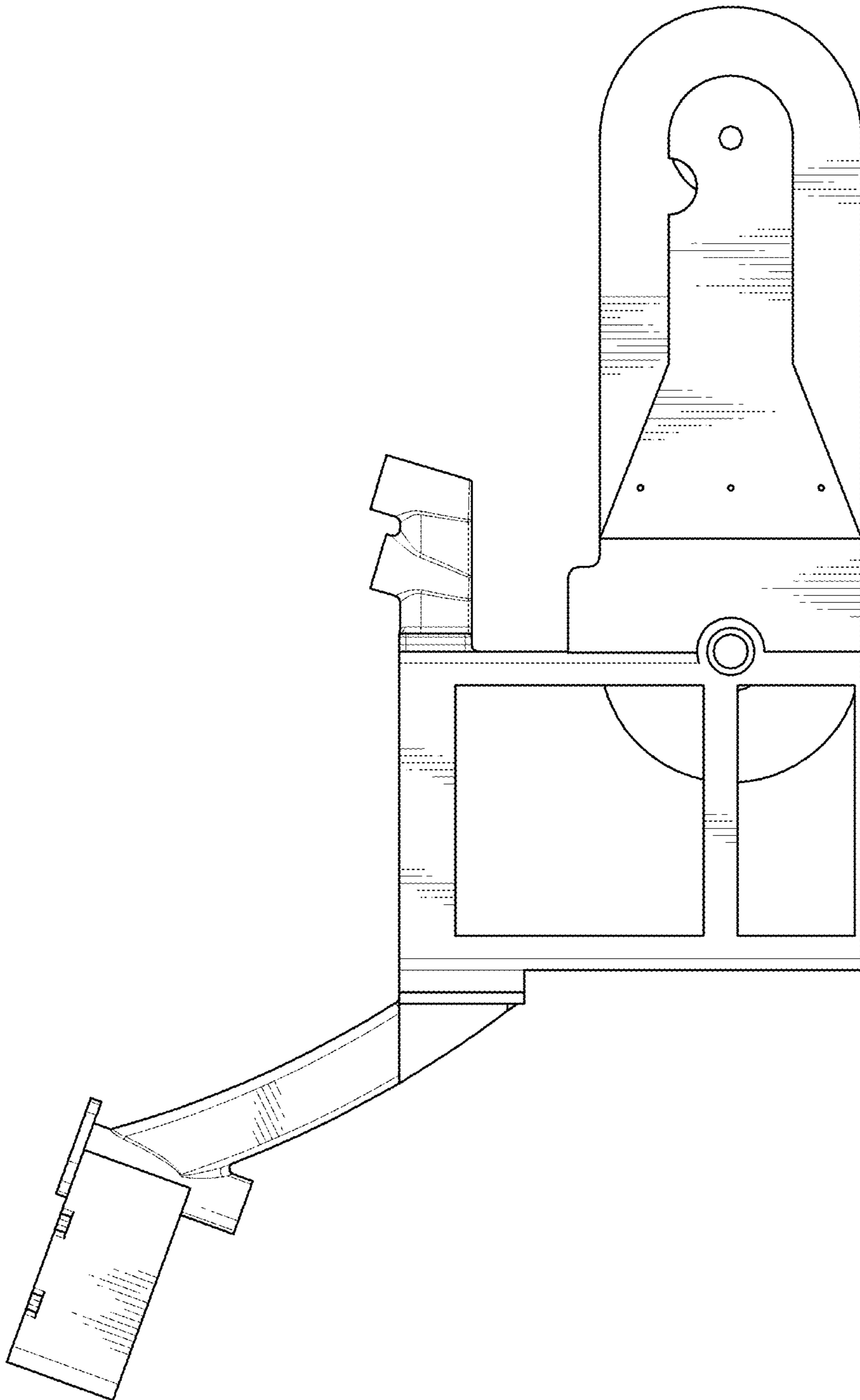


FIG. 5



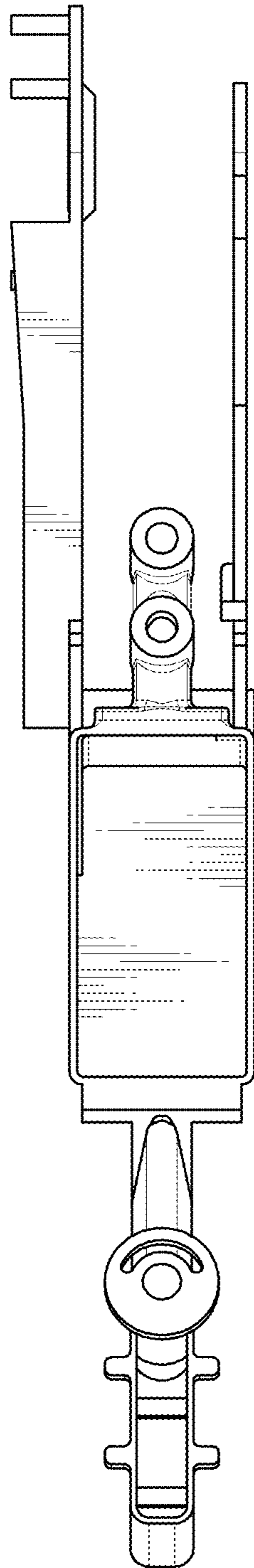


FIG.6

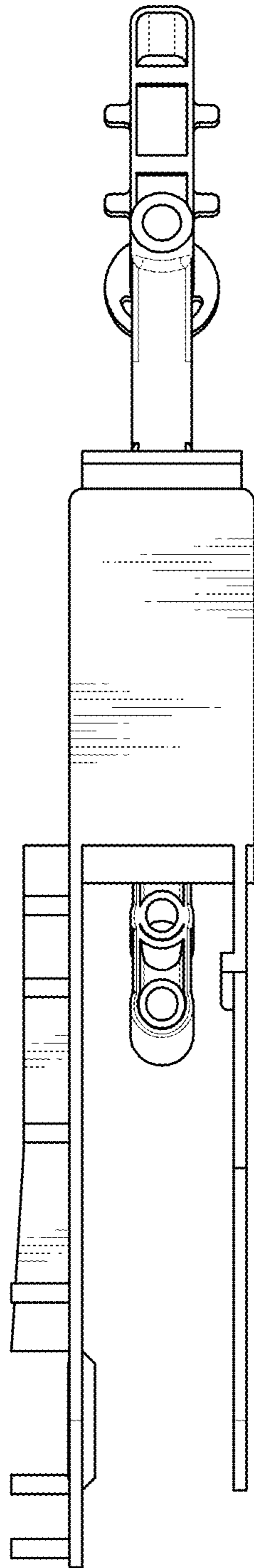


FIG. 7