



US00D924988S

(12) **United States Design Patent**
Barton et al.

(10) **Patent No.:** **US D924,988 S**
(45) **Date of Patent:** **** Jul. 13, 2021**

(54) **INVERTED V-SHAPED EXERCISE BAR**

DESCRIPTION

- (71) Applicant: **Barton Innovations, LLC**,
Waynesfield, OH (US)
- (72) Inventors: **Thomas Jeffrey Barton**, Waynesfield,
OH (US); **David Joseph Barton**,
Waynesfield, OH (US); **Sara Anne
Barton**, Waynesfield, OH (US)
- (73) Assignee: **Barton Innovations, LLC**,
Waynesfield, OH (US)
- (**) Term: **15 Years**
- (21) Appl. No.: **29/691,200**
- (22) Filed: **May 14, 2019**
- (51) **LOC (13) Cl.** **21-02**
- (52) **U.S. Cl.**
USPC **D21/679**
- (58) **Field of Classification Search**
USPC D21/694, 691, 679, 681, 686; D6/681.1;
482/38, 40, 131, 140, 93, 97
(Continued)

(56) **References Cited**

U.S. PATENT DOCUMENTS

- D226,151 S 1/1973 Pawsat et al.
 - 3,837,642 A 9/1974 Martin
- (Continued)

OTHER PUBLICATIONS

Primal Strength by Primal Strength dated no date found. Found online [Sep. 14, 2020] <https://primalstrength.com/primal-strength-max-grip-handles/>.*

(Continued)

Primary Examiner — Ryan Harvey

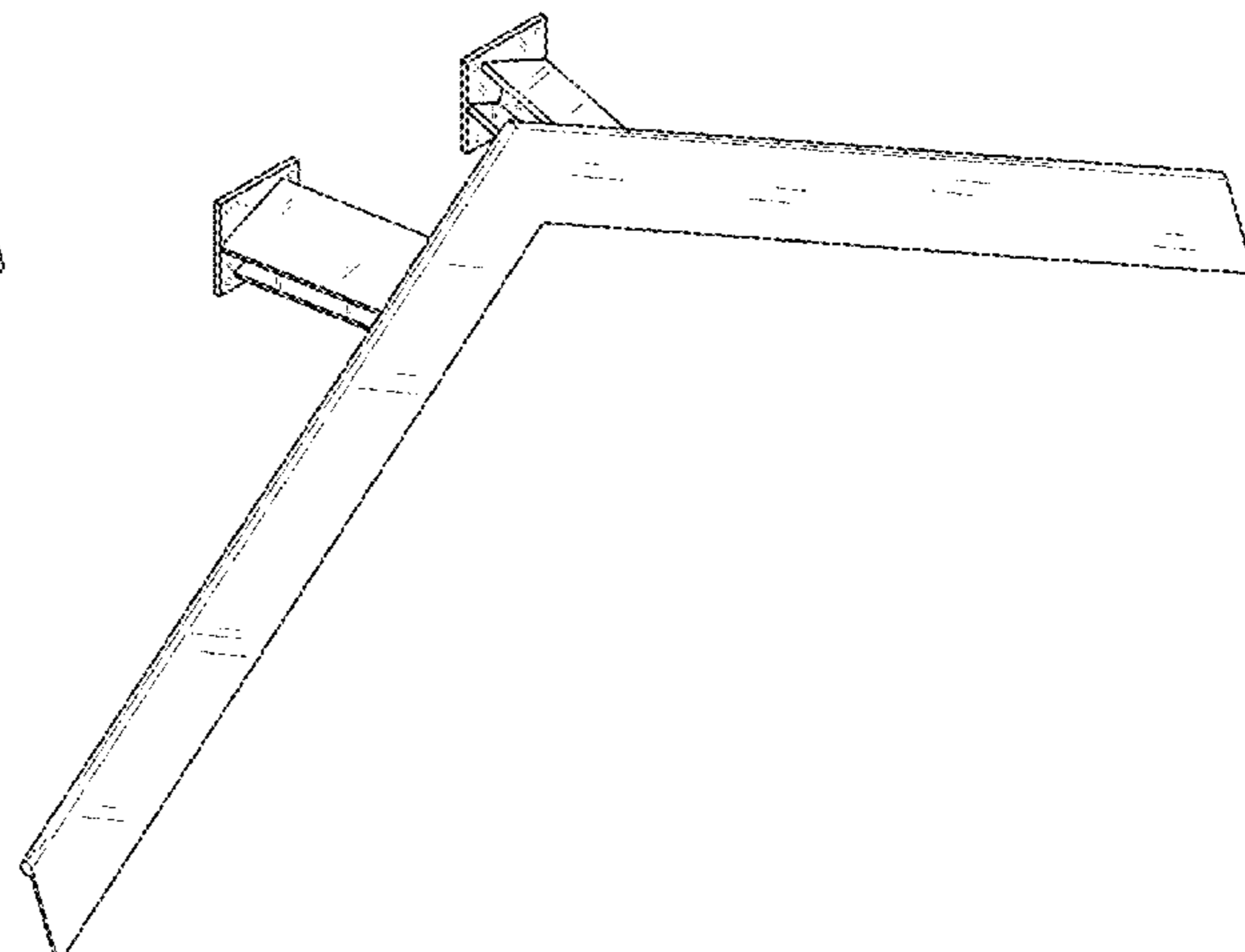
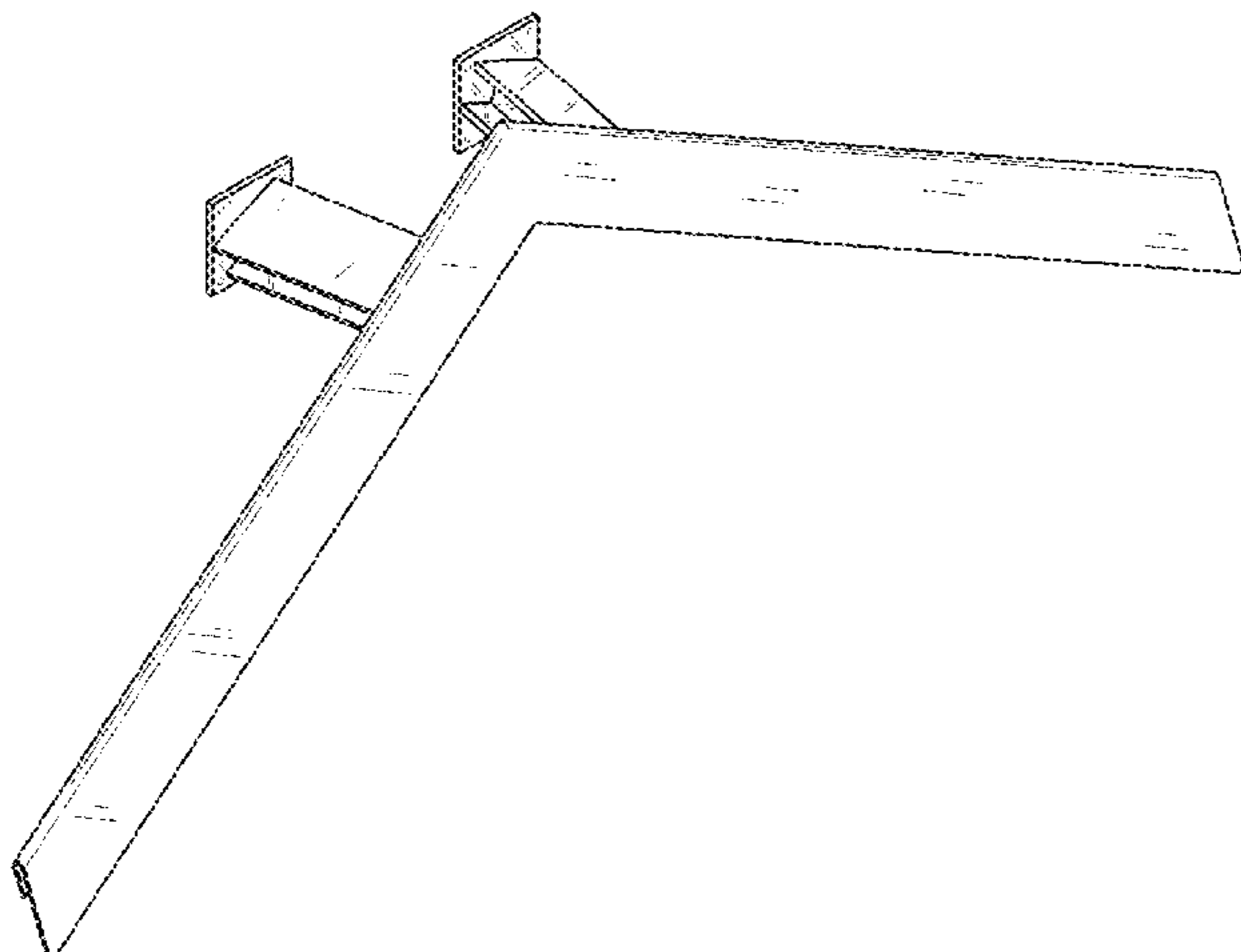
(74) *Attorney, Agent, or Firm* — The Law Office of
Patrick F. O'Reilly, III, LLC

(57) **CLAIM**

The ornamental design for an inverted V-shaped exercise bar, as shown and described.

FIG. 1 is a top-front perspective view of a first embodiment of an inverted V-shaped exercise bar showing our new design;
 FIG. 2 is a front elevational view of the embodiment shown in FIG. 1;
 FIG. 3 is a top plan view of the embodiment shown in FIG. 1;
 FIG. 4 is a rear elevational view of the embodiment shown in FIG. 1;
 FIG. 5 is a bottom plan view of the embodiment shown in FIG. 1;
 FIG. 6 is a left side elevational view of the embodiment shown in FIG. 1;
 FIG. 7 is a right side elevational view of the embodiment shown in FIG. 1;
 FIG. 8 is a bottom-front perspective view of the embodiment shown in FIG. 1;
 FIG. 9 is a top-front perspective view of a second embodiment of an inverted V-shaped exercise bar showing our new design;
 FIG. 10 is a front elevational view of the embodiment shown in FIG. 9;
 FIG. 11 is a top plan view of the embodiment shown in FIG. 9;
 FIG. 12 is a rear elevational view of the embodiment shown in FIG. 9;
 FIG. 13 is a bottom plan view of the embodiment shown in FIG. 9;
 FIG. 14 is a left side elevational view of the embodiment shown in FIG. 9;
 FIG. 15 is a right side elevational view of the embodiment shown in FIG. 9; and,
 FIG. 16 is a bottom-front perspective view of the embodiment shown in FIG. 9.
 The broken line portions of the drawing figures are included to show unclaimed subject matter only and form no part of the claimed design.

1 Claim, 10 Drawing Sheets



(58) **Field of Classification Search**

CPC A63B 21/4035; A63B 21/4047; A63B 21/0628; A63B 23/0211; A63B 23/03525; A63B 21/068; A63B 23/1218; A63B 23/1209; A63B 1/00

See application file for complete search history.

(56) **References Cited**

U.S. PATENT DOCUMENTS

D262,730	S	1/1982	Lambert, Jr. et al.	
D305,256	S	12/1989	Pearson	
D317,032	S	5/1991	Eckler	
5,076,578	A	12/1991	Askonen	
D324,894	S	3/1992	Porcello	
5,312,314	A	5/1994	Stephan et al.	
D394,482	S	5/1998	Colonello	
5,761,767	A	6/1998	Barton	
D396,510	S	7/1998	Marney	
6,220,988	B1	4/2001	Williams	
7,093,698	B1	8/2006	Chen	
D549,414	S	8/2007	Van Landingham, Jr.	
D565,133	S	3/2008	Mollet	
7,350,437	B2	4/2008	Mangano et al.	
D577,276	S	9/2008	Matijevic	
7,993,245	B1	8/2011	Dorfman	
D662,161	S	6/2012	Miller	
D704,779	S	5/2014	Boatwright	
D716,625	S	11/2014	Pereyra	
D725,455	S	3/2015	Carlini	
D728,039	S	4/2015	Groshek et al.	
9,254,410	B1	2/2016	Mirza	
D777,625	S	1/2017	Chang	
D786,518	S	5/2017	Szekely	
D812,158	S	3/2018	Campanaro et al.	
D812,159	S	3/2018	Campanaro et al.	
D815,575	S	4/2018	Temmerman	
D818,058	S *	5/2018	Barton	D21/679
D818,059	S *	5/2018	Barton	D21/679
D818,060	S *	5/2018	Barton	D21/679
D818,061	S *	5/2018	Barton	D21/679
D818,063	S *	5/2018	Barton	D21/694
D843,506	S	3/2019	Campanaro et al.	
2005/0143230	A1	6/2005	Dalebout et al.	
2006/0211552	A1	9/2006	Williams	
2010/0018341	A1	1/2010	Greppi	
2010/0186543	A1	7/2010	Menghini	
2013/0303348	A1	11/2013	Cardin	
2014/0287886	A1	9/2014	Patti	
2018/0001127	A1	1/2018	Caouette	

OTHER PUBLICATIONS

Gym Home by Gym Fitness Equipment dated no date found. Found online [Sep. 14, 2020] https://www.aliexpress.com/item/1005001284898080.html?src=google&albch=shopping&acnt=494-037-6276&isdl=y&slnk=&plac=&mtctp=&albbt=Google_7_shopping&aff_platform=google&aff_short_key=UneMJZVf&&albagn=888888&albcpr=9765953191&albag=103.*

Braco 3 by Berenson dated Oct. 14, 2019. Found online [Sep. 14, 2020] <https://tinyurl.com/yyqvzkzpf>.*

Miseno by Berenson dated no date found. Found online [Sep. 14, 2020] <https://www.build.com/miseno-mcfh125/s1638241?uid=3883491&displaypla=1>.*

MAG Grip Products Webpage, MAG Maximum Advantage Grip Website, Web page <<http://maxagrip.com/products.html>>, 2 pages, dated Oct. 17, 2013, retrieved from Internet Archive Wayback Machine <<https://web.archive.org/web/20131017005713/http://maxagrip.com/products.html>> on Sep. 14, 2016.

Close Grip Neutral on MAG Grip Products Webpage, MAG Maximum Advantage Grip Website, Web page <<http://maxagrip.com/products.html>>, 2 pages, dated Oct. 17, 2013, retrieved from Internet Archive Wayback Machine <<https://web.archive.org/web/20131017005713/http://maxagrip.com/products.html>> on Sep. 14, 2016.

Close Grip Pronate on MAG Grip Products Webpage, MAG Maximum Advantage Grip Website, Web page <<http://maxagrip.com/products.html>>, 2 pages, dated Oct. 17, 2013, retrieved from Internet Archive Wayback Machine <<https://web.archive.org/web/20131017005713/http://maxagrip.com/products.html>> on Sep. 14, 2016.

Close Grip Supinate on MAG Grip Products Webpage, MAG Maximum Advantage Grip Website, Web page <<http://maxagrip.com/products.html>>, 2 pages, dated Oct. 17, 2013, retrieved from Internet Archive Wayback Machine <<https://web.archive.org/web/20131017005713/http://maxagrip.com/products.html>> on Sep. 14, 2016.

Medium Grip Neutral on MAG Grip Products Webpage, MAG Maximum Advantage Grip Website, Web page <<http://maxagrip.com/products.html>>, 2 pages, dated Oct. 17, 2013, retrieved from Internet Archive Wayback Machine <<https://web.archive.org/web/20131017005713/http://maxagrip.com/products.html>> on Sep. 14, 2016.

Medium Grip Pronate on MAG Grip Products Webpage, MAG Maximum Advantage Grip Website, Web page <<http://maxagrip.com/products.html>>, 2 pages, dated Oct. 17, 2013, retrieved from Internet Archive Wayback Machine <<https://web.archive.org/web/20131017005713/http://maxagrip.com/products.html>> on Sep. 14, 2016.

Medium Grip Supinate on MAG Grip Products Webpage, MAG Maximum Advantage Grip Website, Web page <<http://maxagrip.com/products.html>>, 2 pages, dated Oct. 17, 2013, retrieved from Internet Archive Wayback Machine <<https://web.archive.org/web/20131017005713/http://maxagrip.com/products.html>> on Sep. 14, 2016.

Michael Gundill by Michael Gundill dated Jun. 4, 2012. Found online [Jan. 2, 2017] <https://www.youtube.com/watch?v=r9GbFd2xuFQ>.

Products MAG Lat Bar by MAG dated no date given. Found online [Jan. 2, 2017] <http://maxagrip.com/products.html>.

* cited by examiner

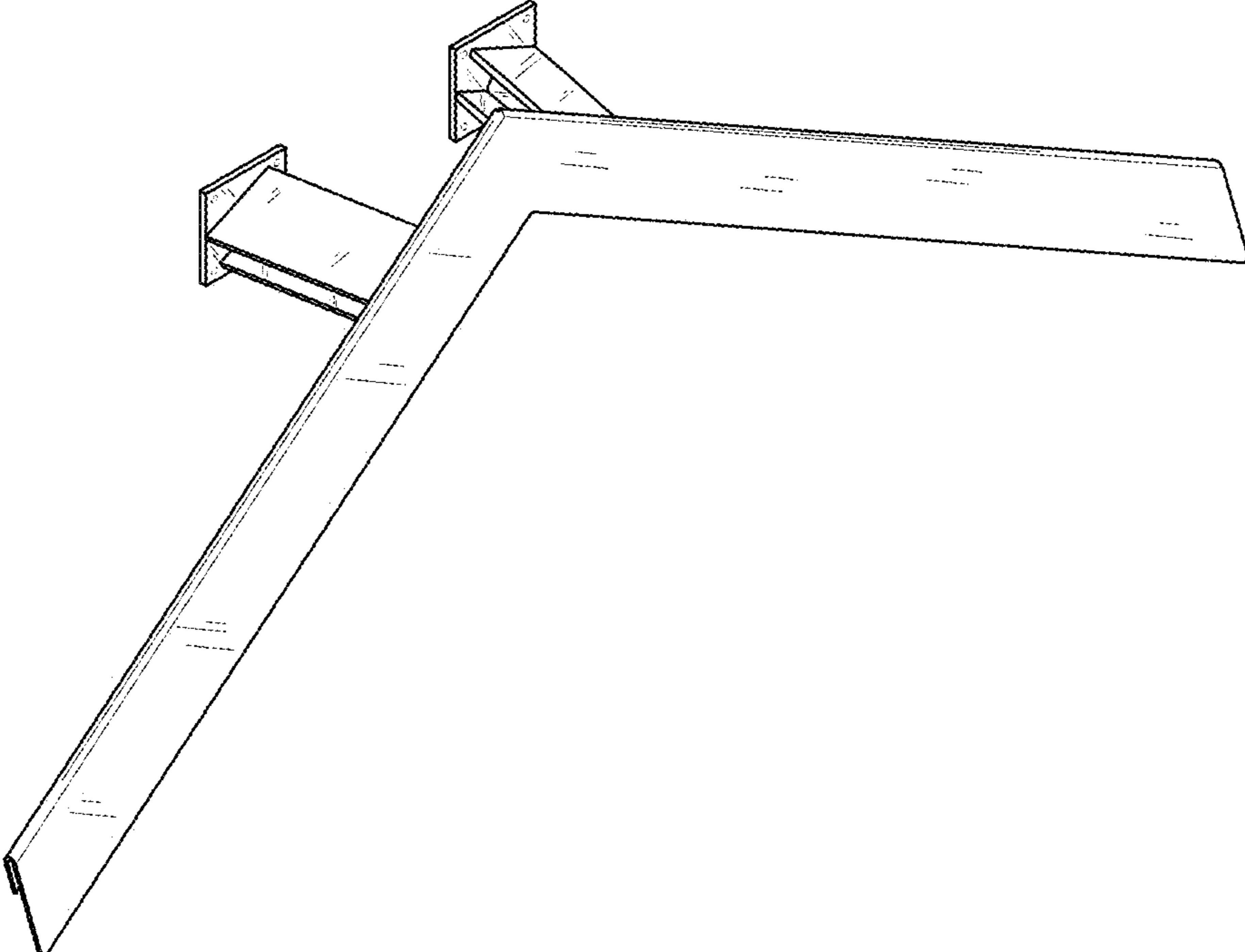


FIG. 1

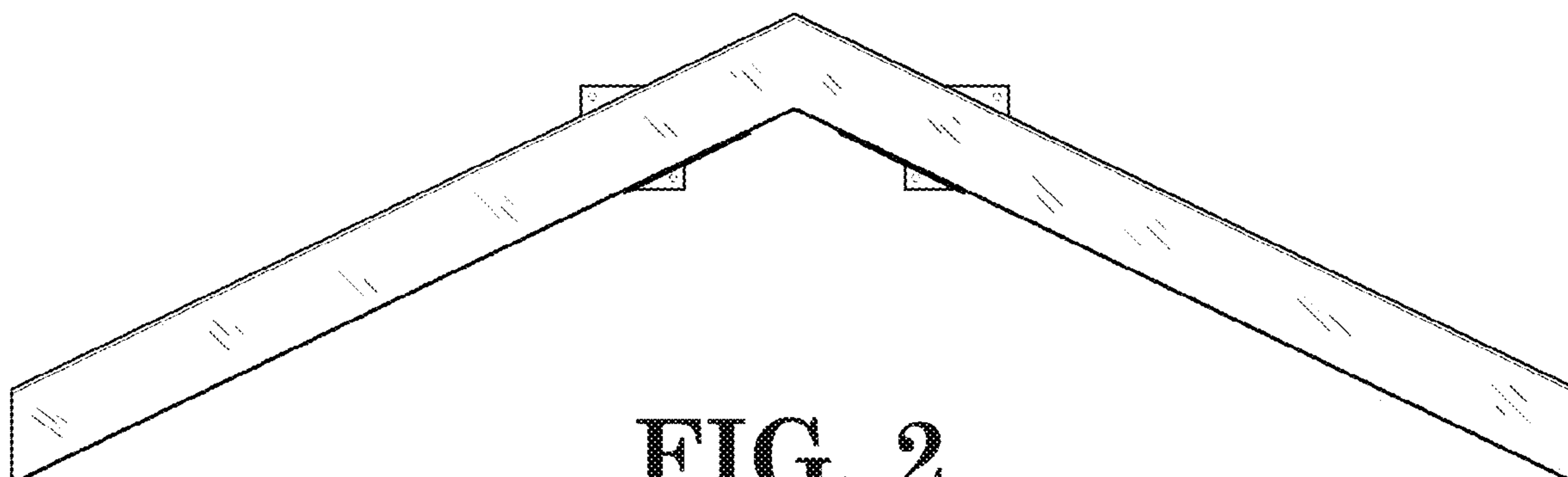


FIG. 2

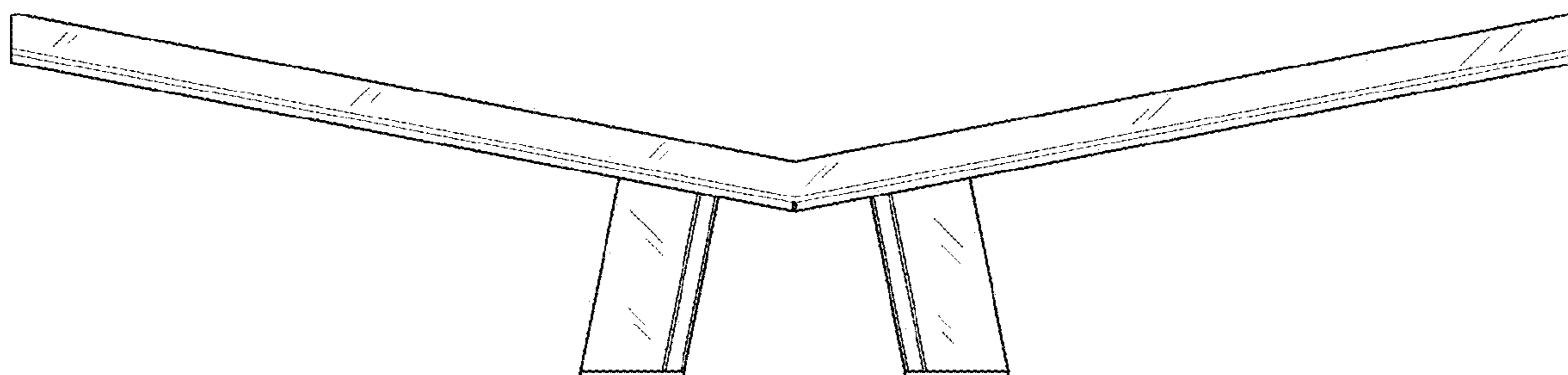


FIG. 3

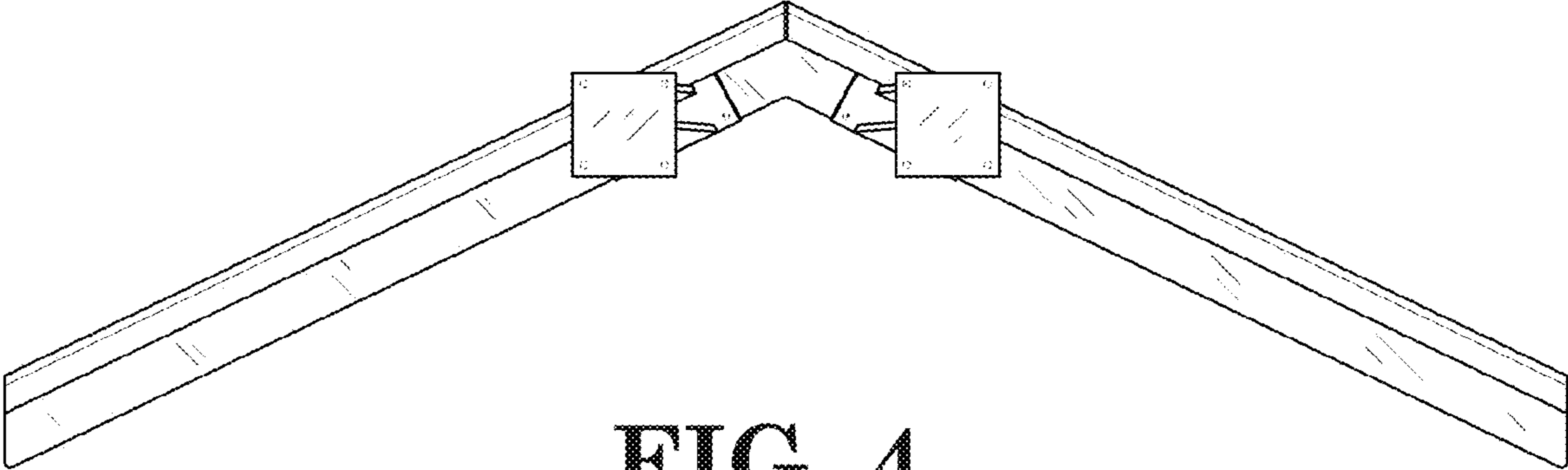


FIG. 4

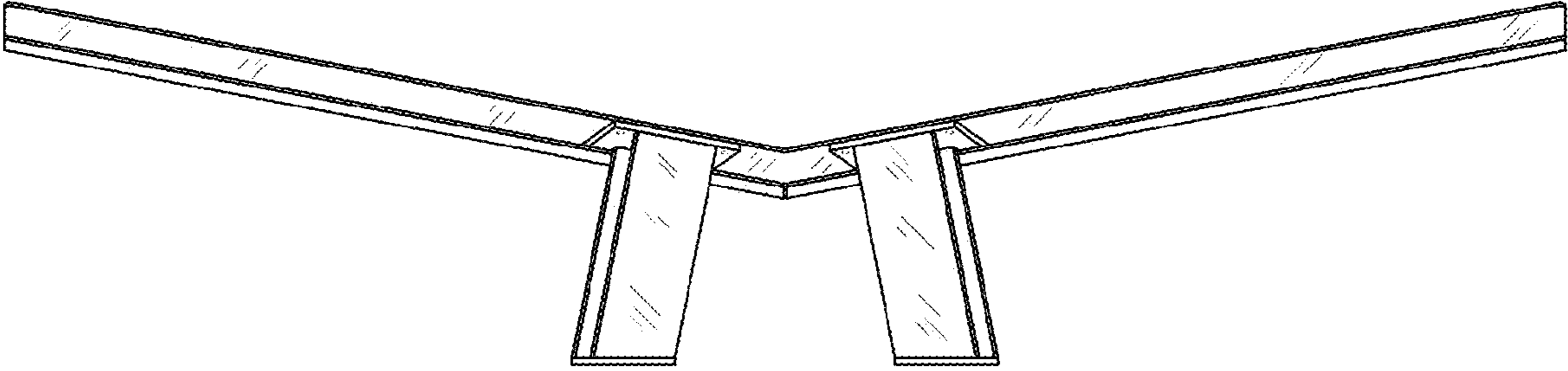


FIG. 5

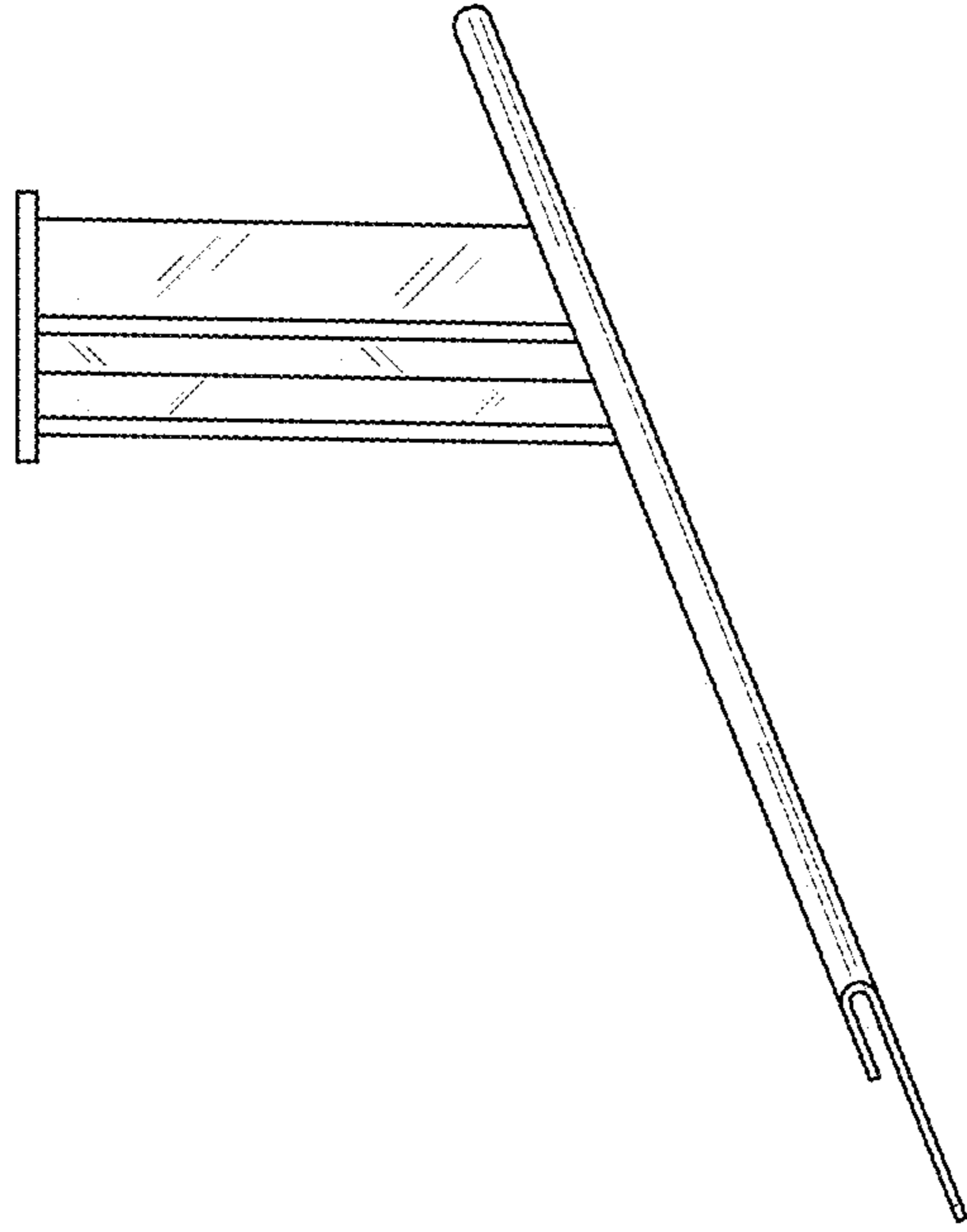
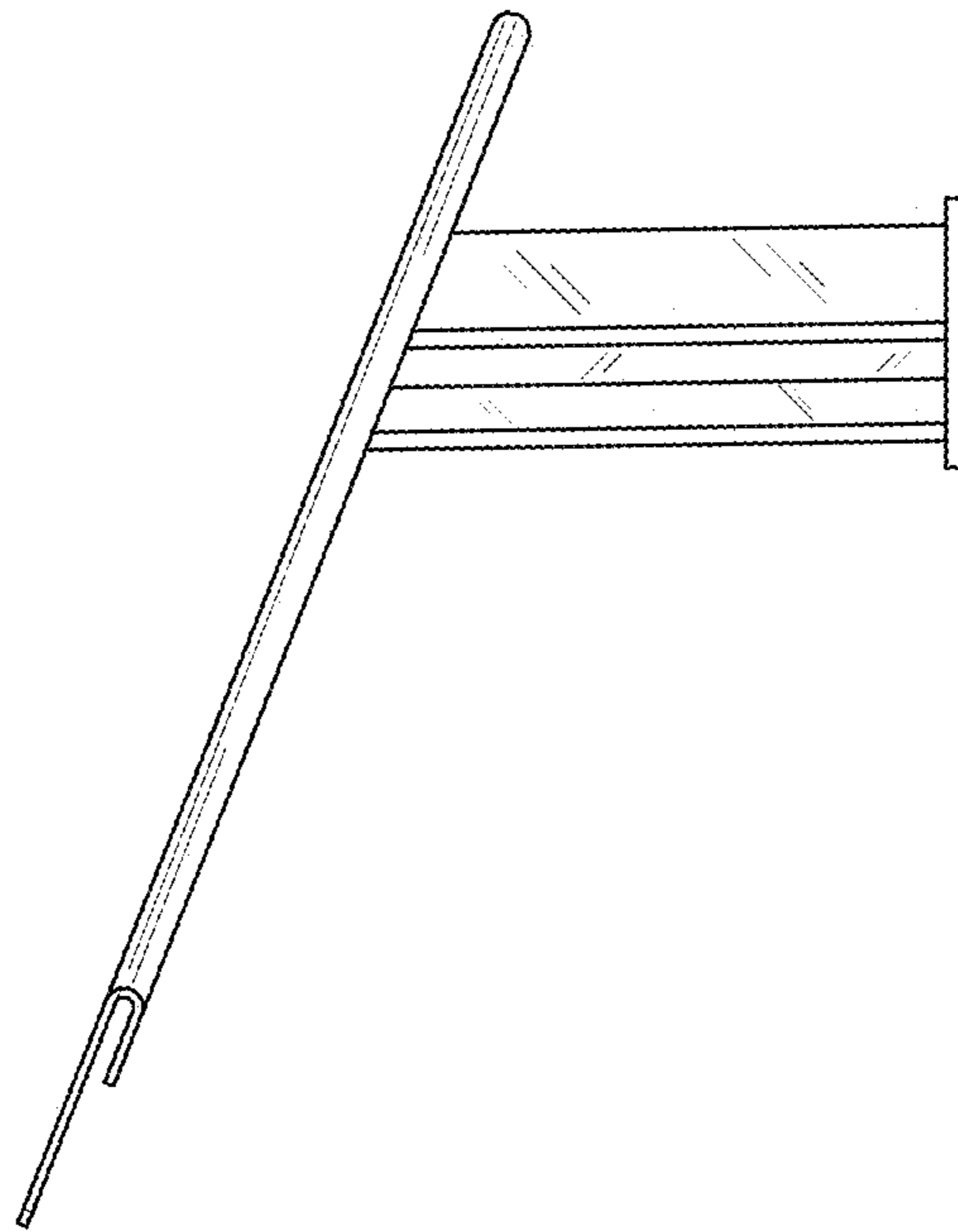


FIG. 6

FIG. 7



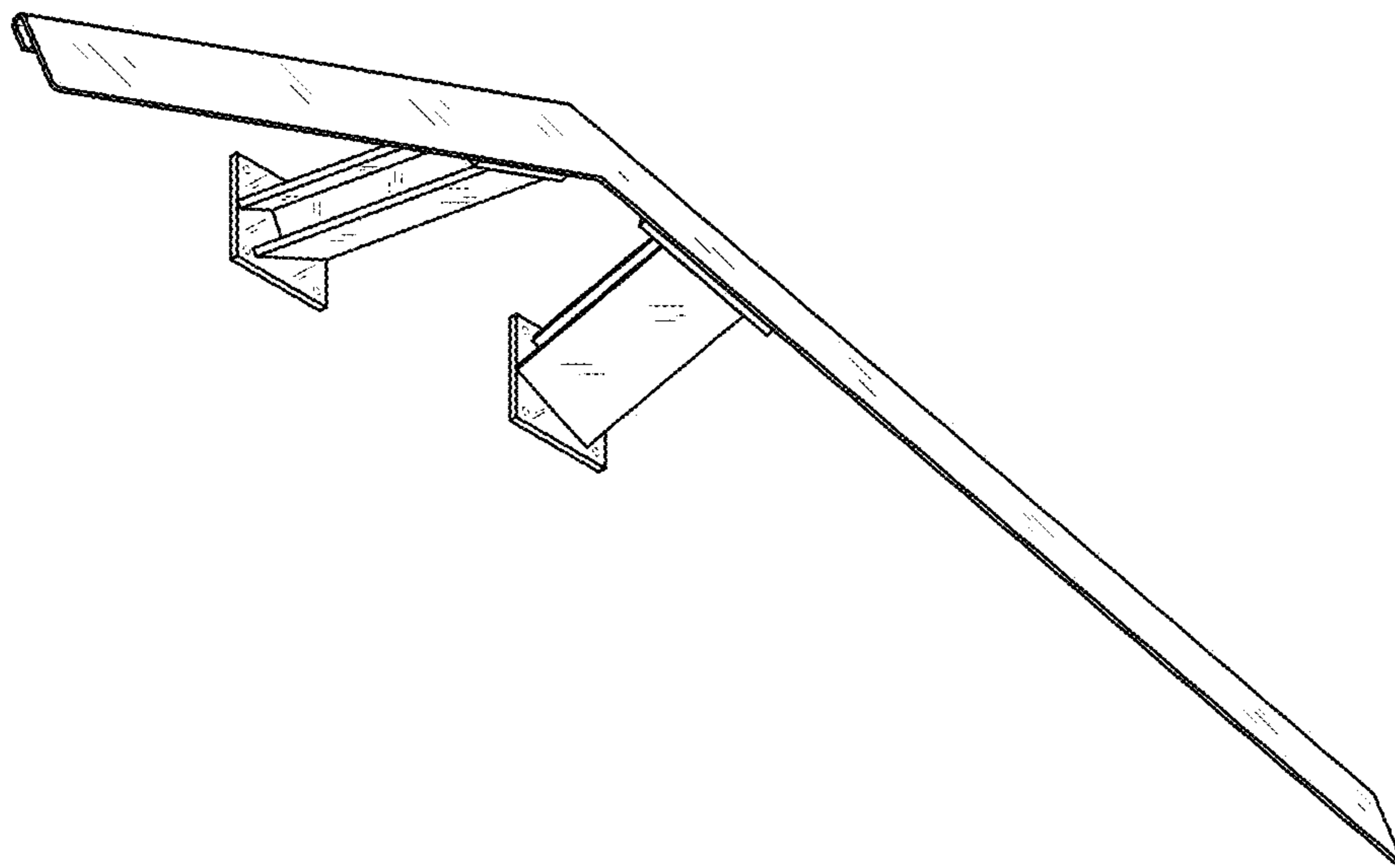


FIG. 8

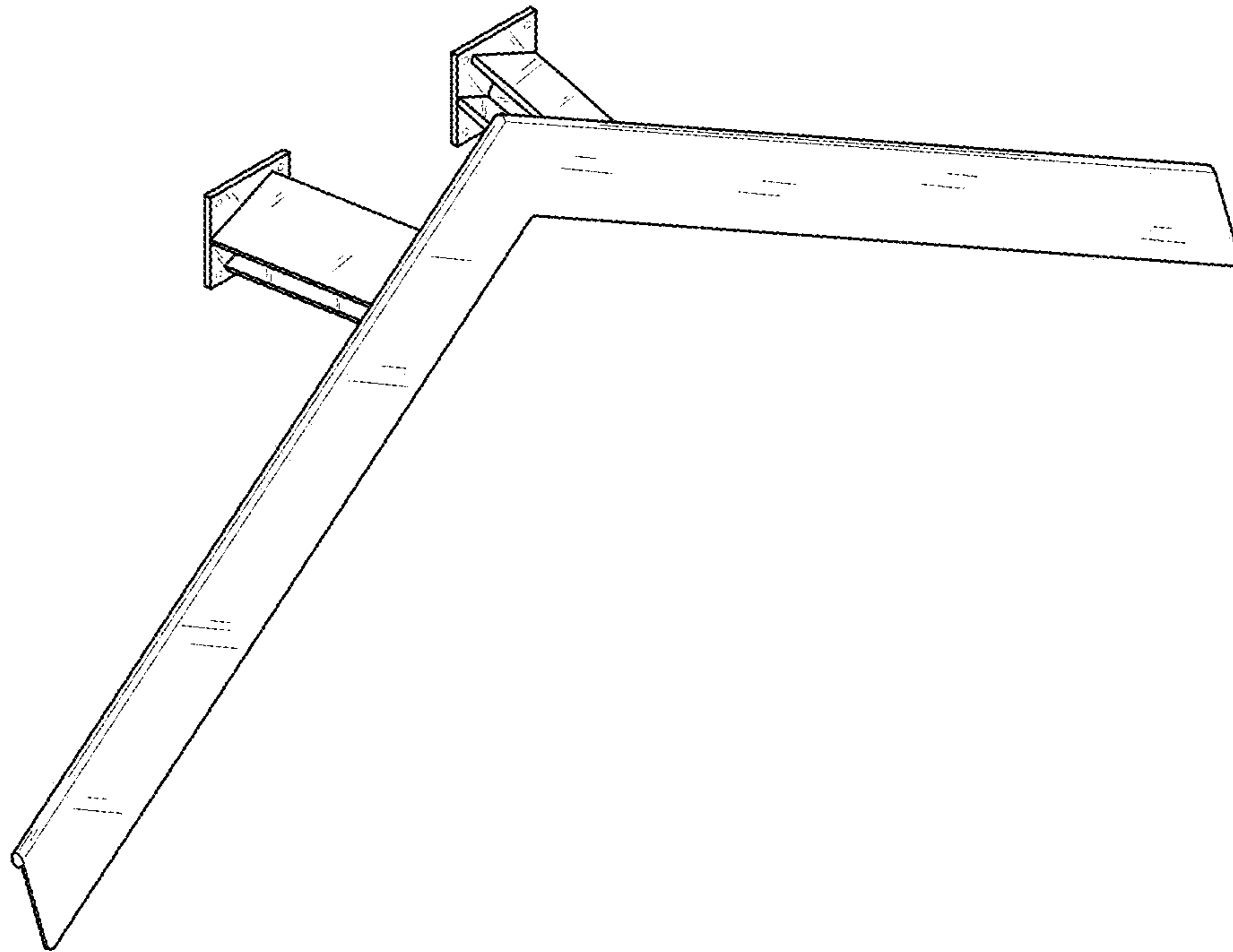


FIG. 9

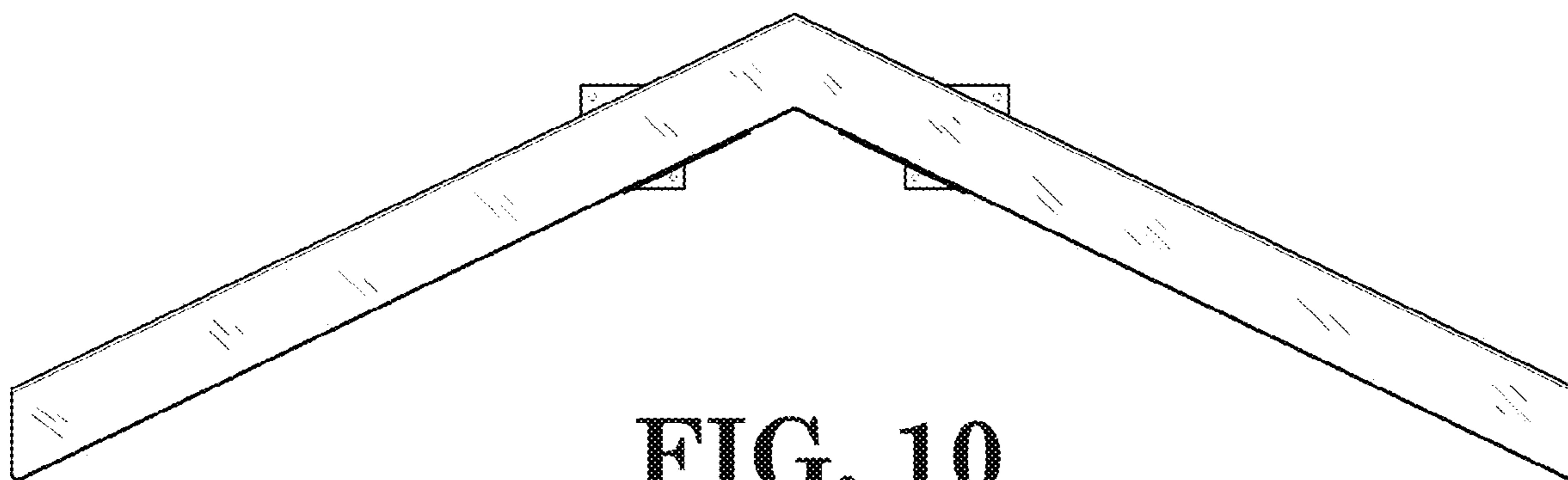


FIG. 10

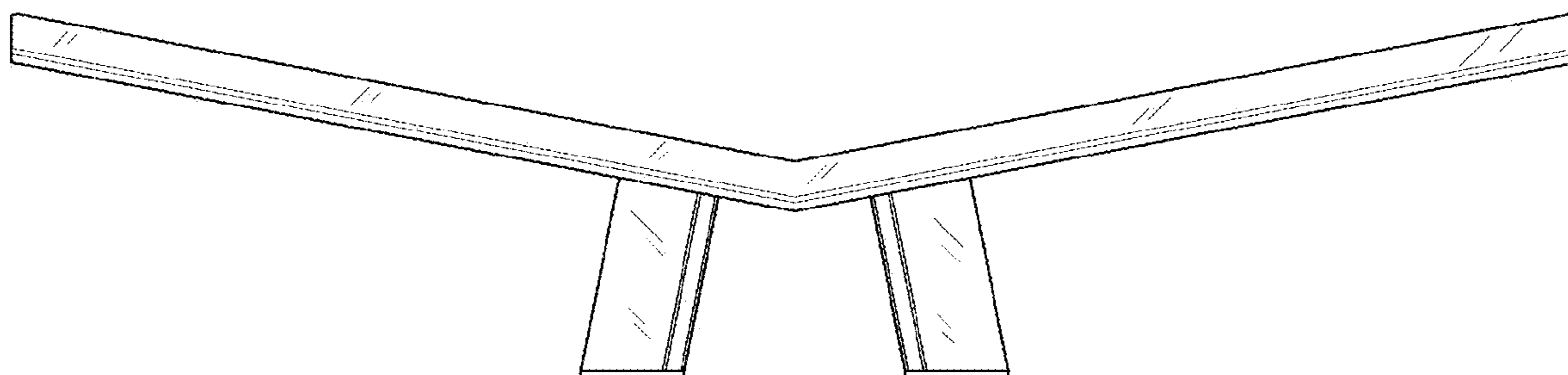


FIG. 11

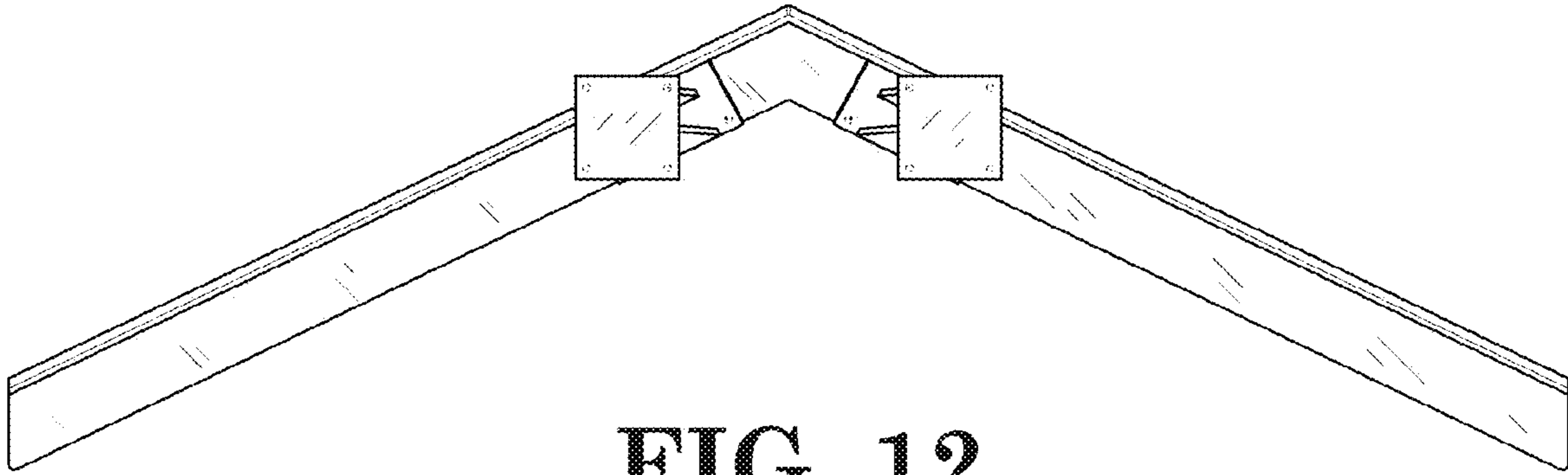


FIG. 12

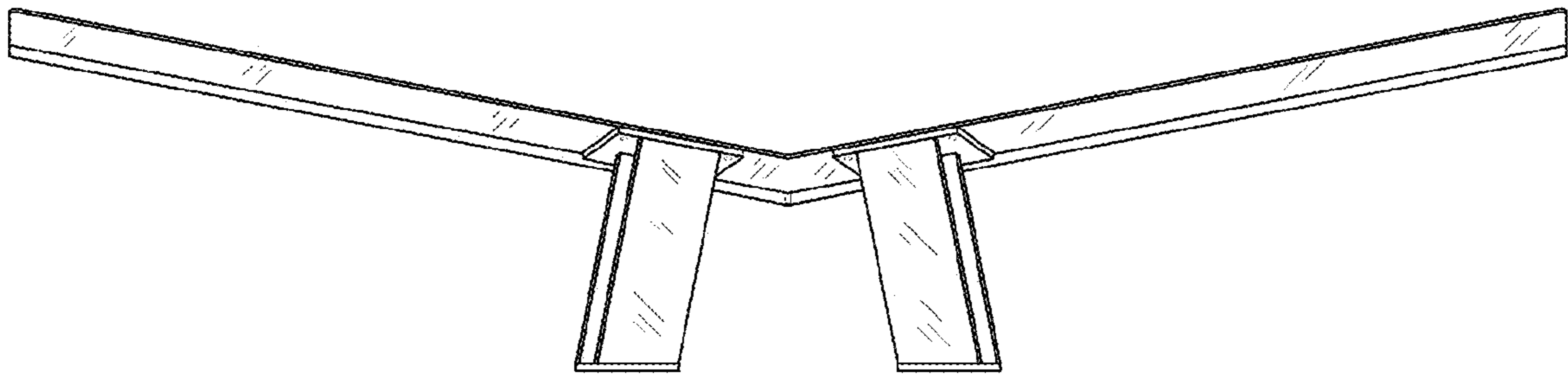


FIG. 13

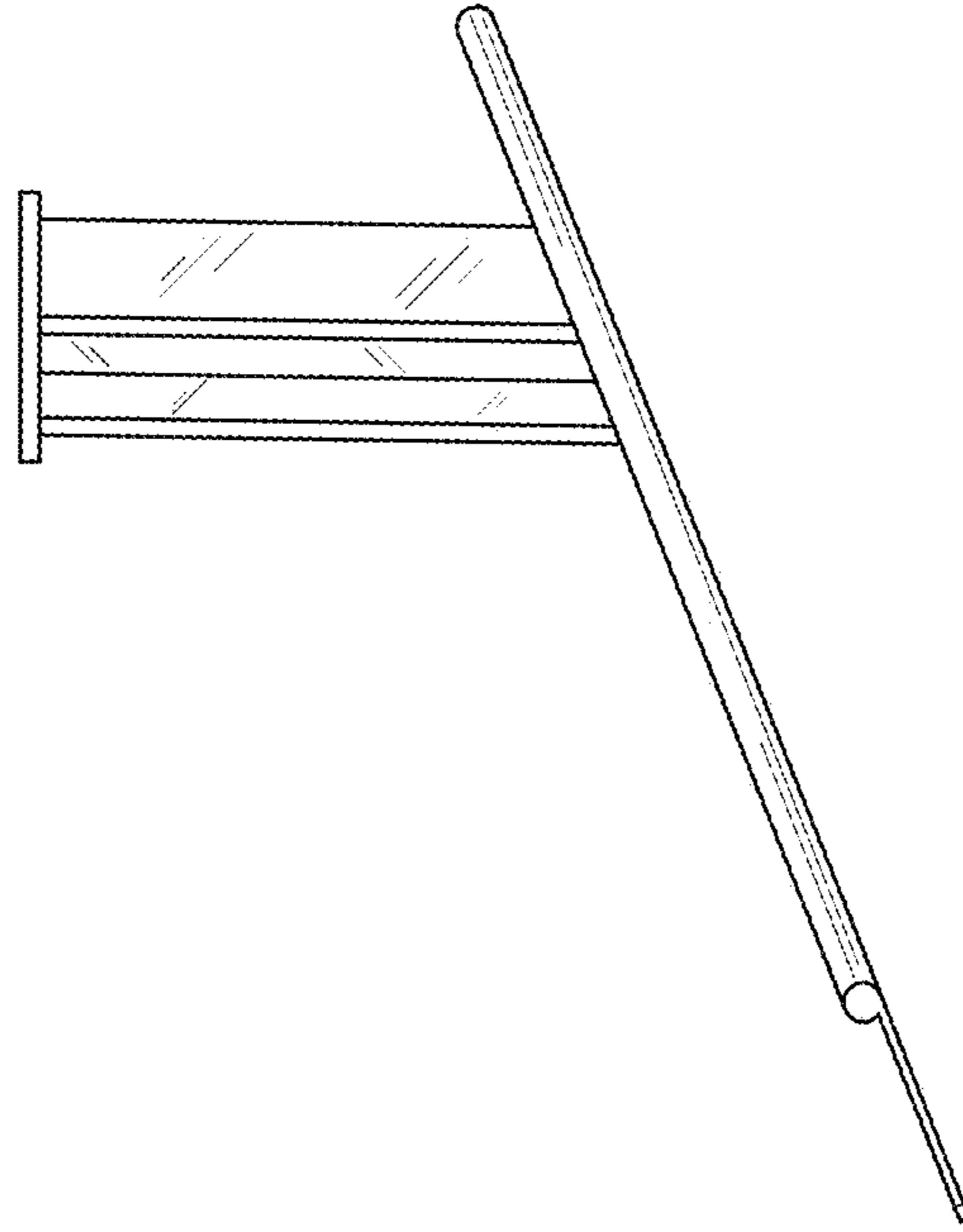
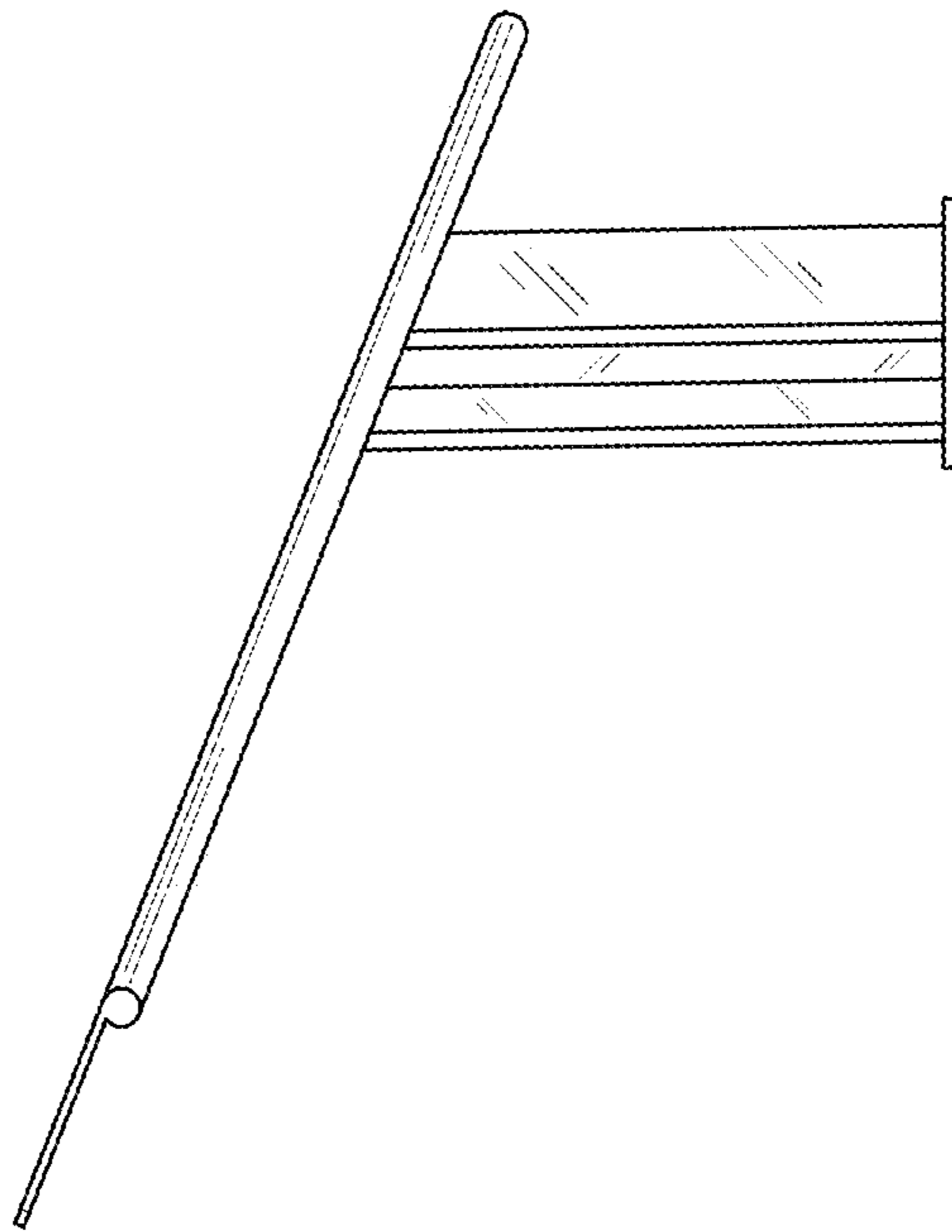


FIG. 14

FIG. 15



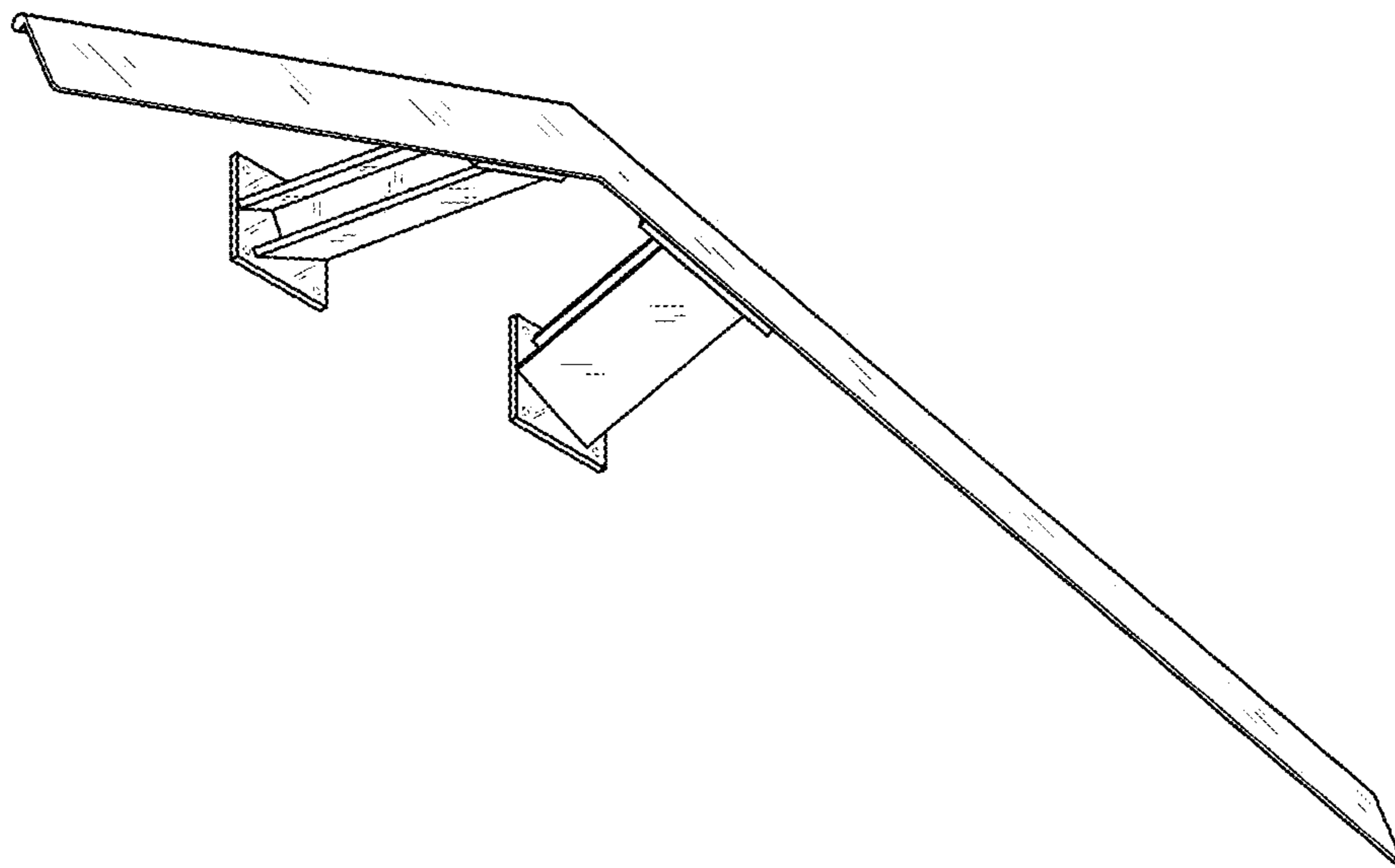


FIG. 16