



US00D924986S

(12) **United States Design Patent**
Wood et al.

(10) **Patent No.:** **US D924,986 S**
(45) **Date of Patent:** **** Jul. 13, 2021**

(54) **MODEL VEHICLE ASSEMBLY**
(71) Applicant: **TRAXXAS LP**, McKinney, TX (US)

D567,885 S * 4/2008 Amadio D21/559
D823,169 S * 7/2018 Odabasi Uyanik D12/96
D828,225 S * 9/2018 Zhang D12/93
D871,513 S * 12/2019 Chen D21/556

(72) Inventors: **Jonathan Scott Wood**, Frisco, TX (US); **Casey Christen Jens Christensen**, McKinney, TX (US); **Otto Karl Allmendinger**, Rowlett, TX (US); **Jaime Felix Barajas**, Dallas, TX (US); **Kent Poteet**, Lucas, TX (US); **Jory Sprowl**, Honey Grove, TX (US); **Kevin Nichols**, Farmersville, TX (US)

OTHER PUBLICATIONS

ERTL 1/64th John Deere Peterbilt Flatbed Truck, Nov. 29, 2016, Amazon.com, URL: <https://www.amazon.com/Deere-Peterbilt-Flatbed-Truck-Skidsteer/dp/B00U9QW5XU> (Year: 2016).*
Walthers International(R) 7600 3-AXLE Flatbed Truck, Dec. 7, 2018, Amazon.com, URL: <https://www.amazon.com/INTERNATIONAL-3-AXLE-FLATBED-TRUCK-MAINTENANCE/dp/B077LFJN5Q> (Year: 2018).*
Friction Powered Flatbed Truck with Excavator Tractor, Aug. 30, 2018, Amazon.com, May 27, 2021, URL: <https://www.amazon.com/dp/B076PJPBTN> (Year: 2018).*

(73) Assignee: **TRAXXAS LP**, McKinney, TX (US)

(**) Term: **15 Years**

* cited by examiner

(21) Appl. No.: **29/712,398**

Primary Examiner — Jack Reickel

(22) Filed: **Nov. 7, 2019**

Assistant Examiner — Keith J Wilson

(51) **LOC (13) Cl.** **23-01**

(74) *Attorney, Agent, or Firm* — Daryl R. Wright; Greg Carr

(52) **U.S. Cl.**
USPC **D21/552**; D21/434

(58) **Field of Classification Search**
USPC D21/433–434, 552, 559; D12/46, 93–94
CPC B60R 1/06; B62D 25/10; B62D 25/16;
B62D 25/168

(57) **CLAIM**

We claim the ornamental design for a model vehicle assembly, as shown and described.

See application file for complete search history.

DESCRIPTION

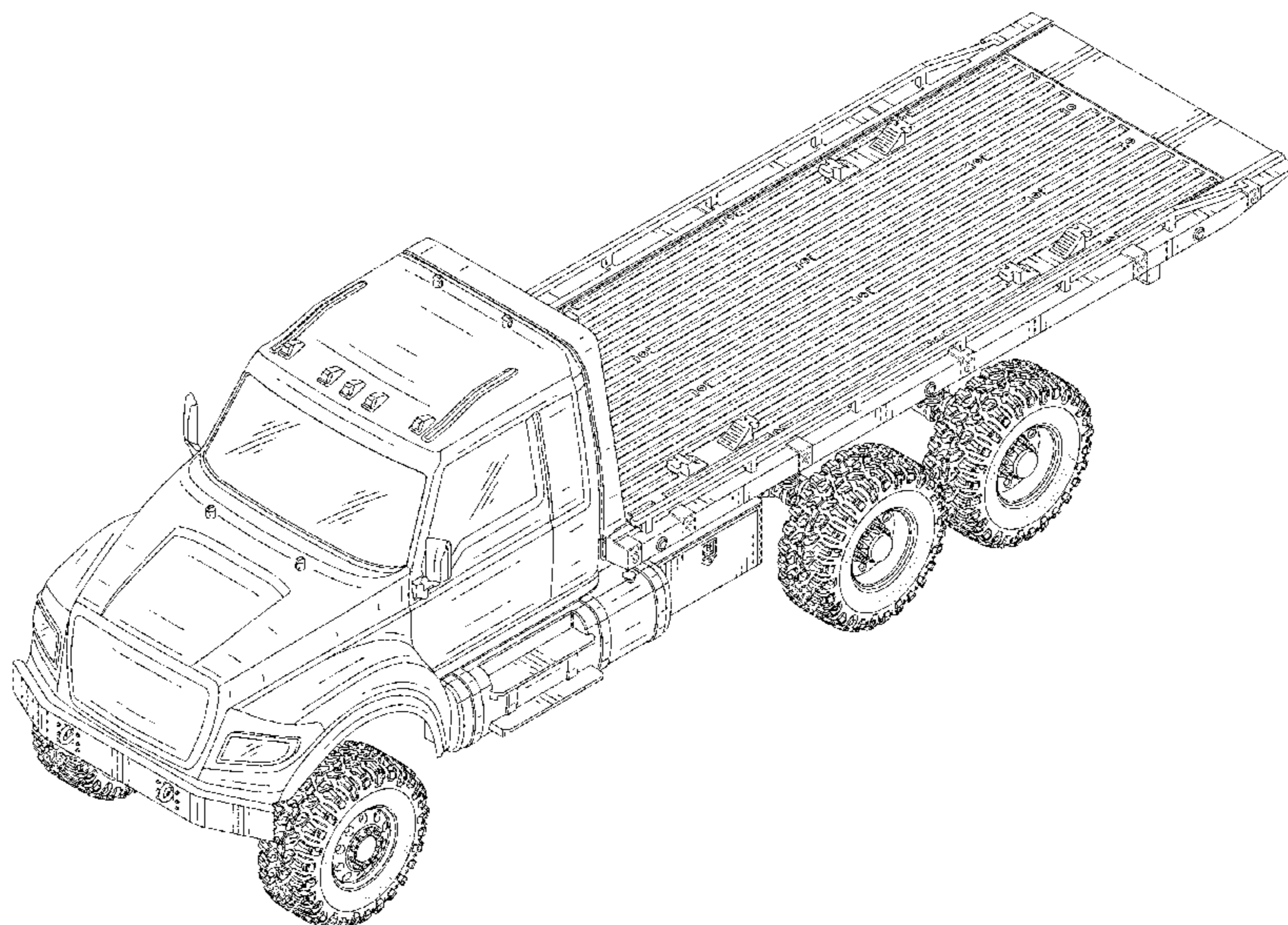
(56) **References Cited**

FIG. 1 is an upper, left, front perspective view of a model vehicle assembly;
FIG. 2 is front elevation view thereof;
FIG. 3 is a rear elevation view thereof;
FIG. 4 is a left side elevation view thereof;
FIG. 5 is a right side elevation view thereof;
FIG. 6 is a top plan view thereof;
FIG. 7 is a bottom plan view thereof;
FIG. 8 is an upper, right, rear perspective view thereof; and,
FIG. 9 is a lower, right, rear perspective view of the model vehicle assembly.

U.S. PATENT DOCUMENTS

D246,480 S * 11/1977 Asano D21/556
D252,226 S * 6/1979 Asano D21/556
D252,229 S * 6/1979 Asano D21/556
D266,756 S * 11/1982 Magnini D12/98
4,889,515 A * 12/1989 Auer A63H 17/05
446/428
D330,663 S * 11/1992 Copeland D21/434
D363,323 S * 10/1995 Thomsen D21/559
D384,998 S * 10/1997 Høst D21/559
D425,446 S * 5/2000 Schnell D12/14

1 Claim, 8 Drawing Sheets



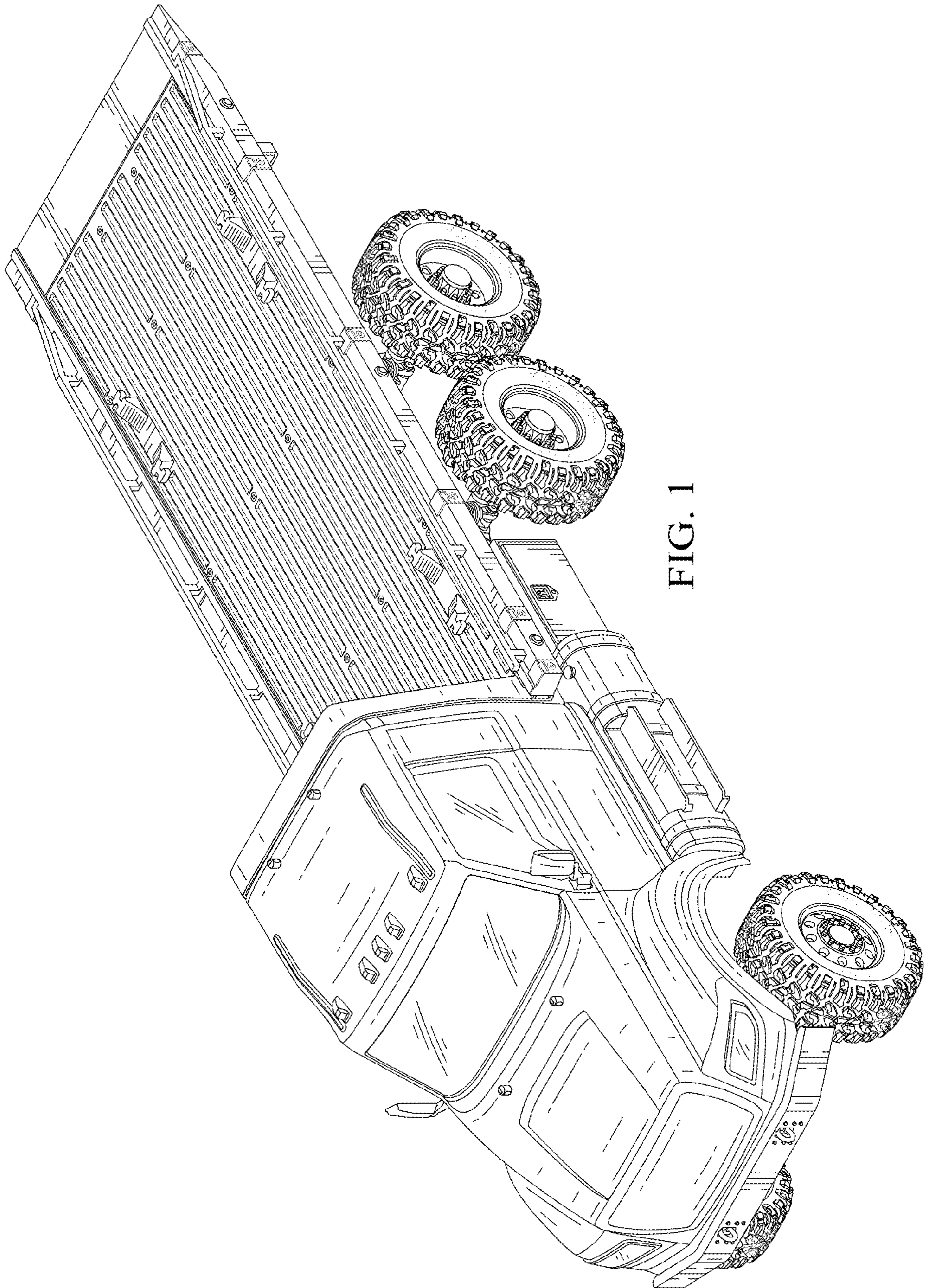


FIG. 1

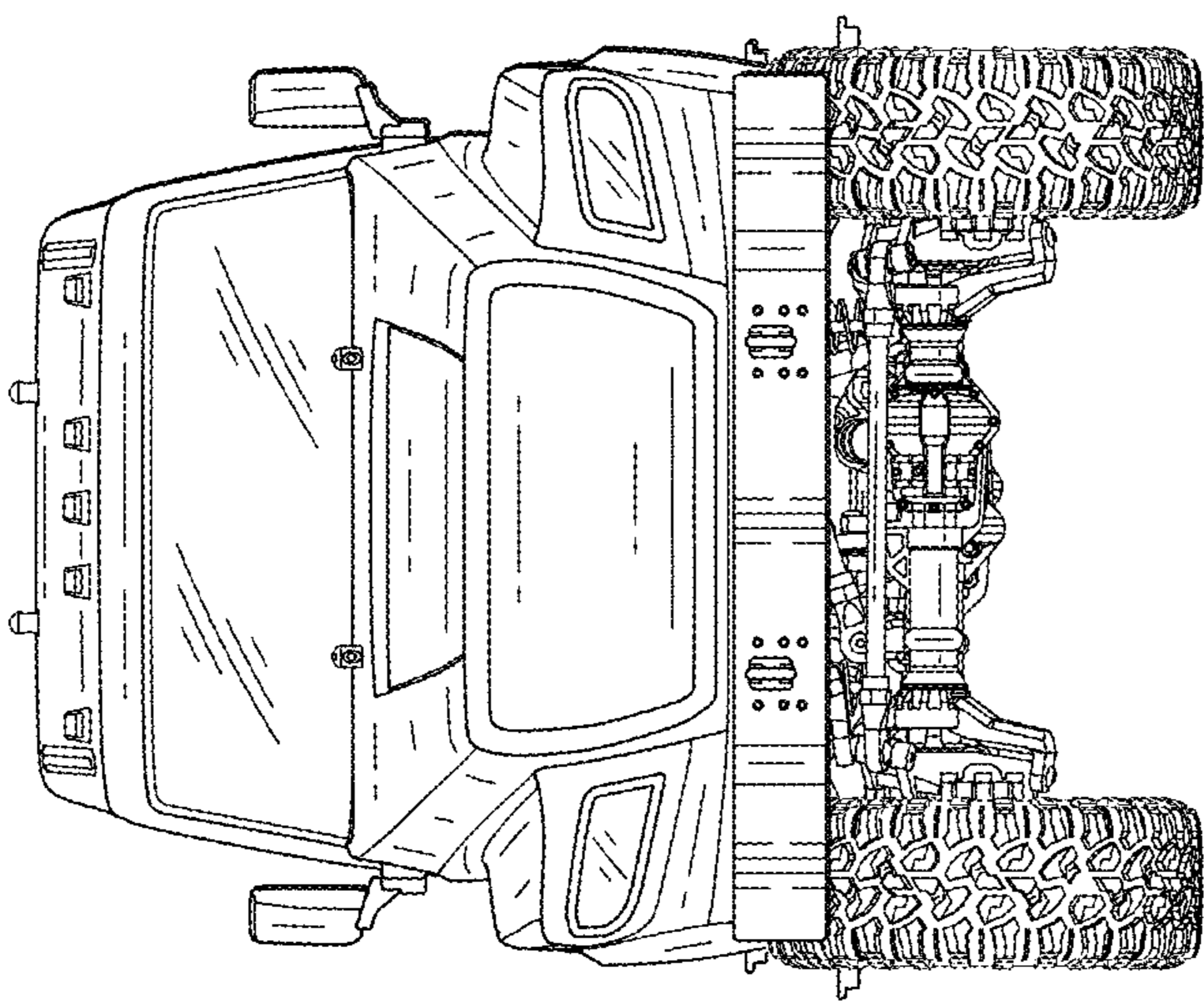


FIG. 2

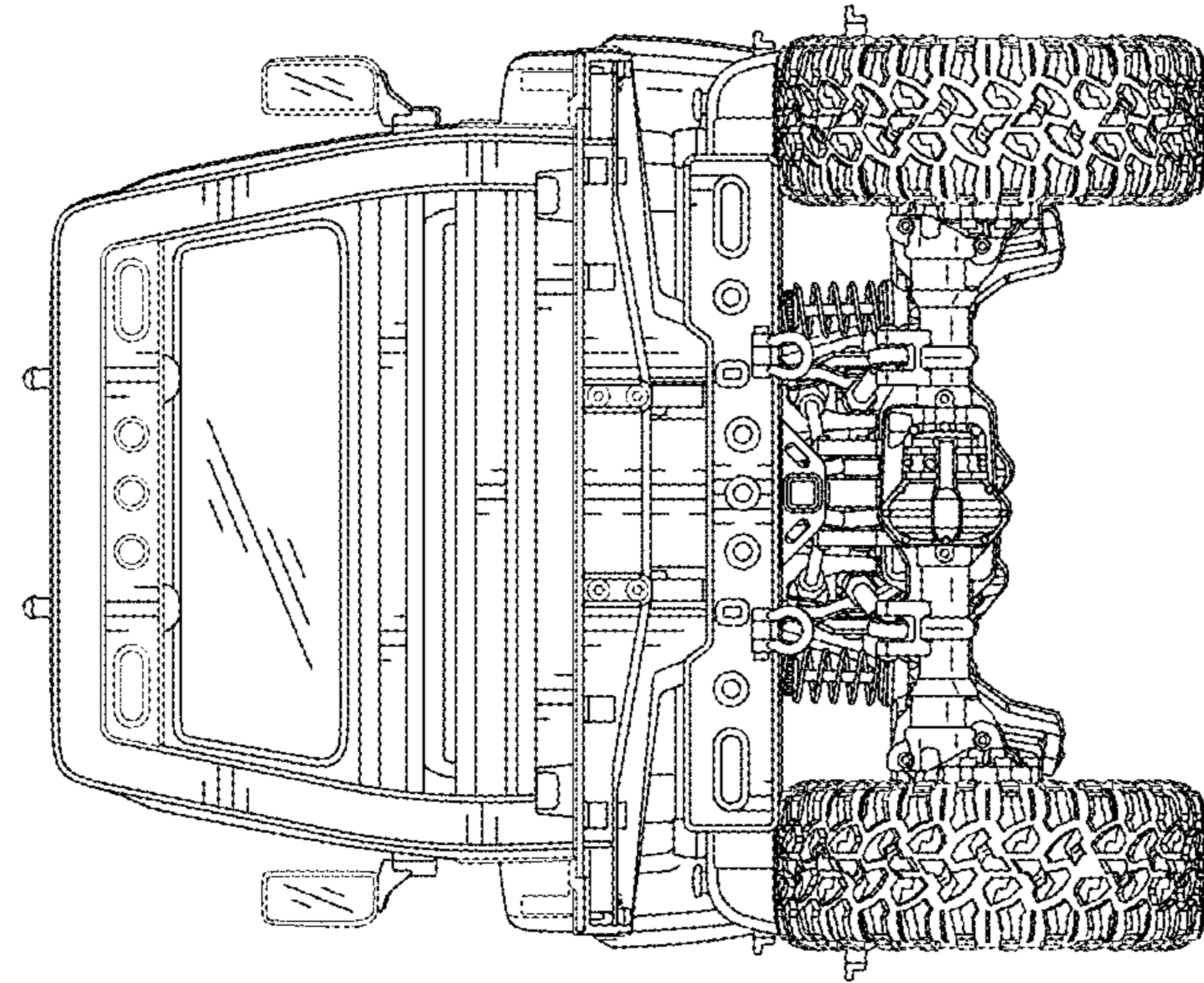


FIG. 3

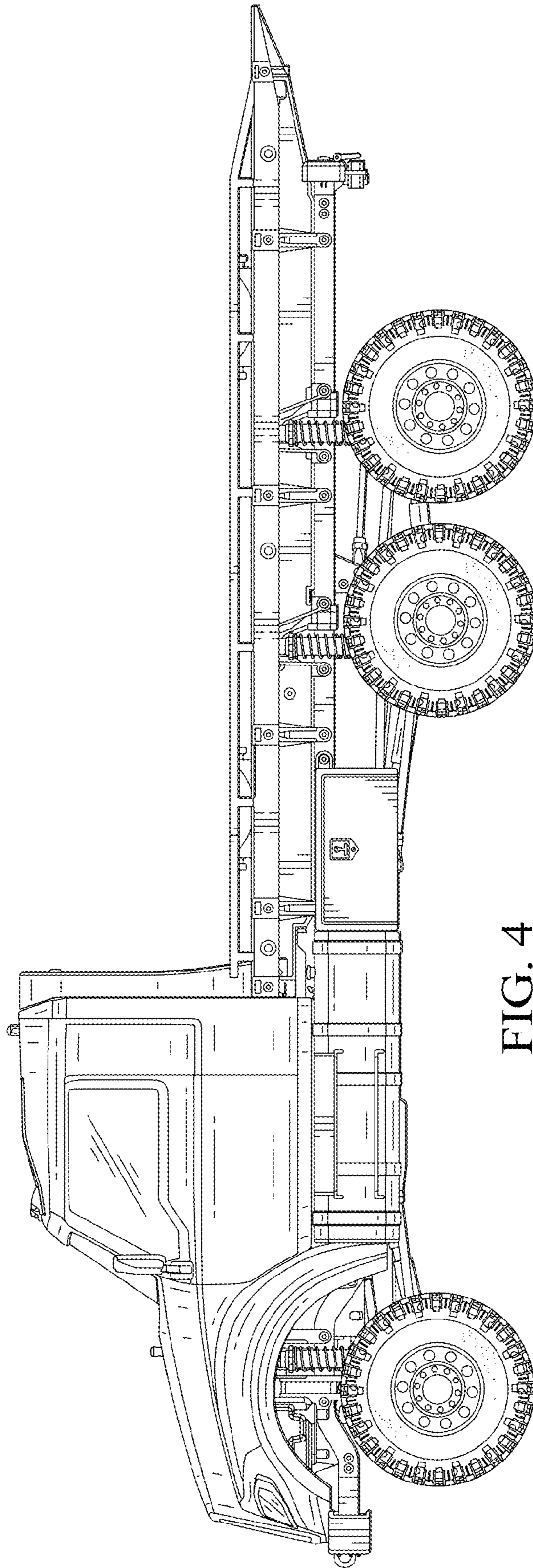


FIG. 4

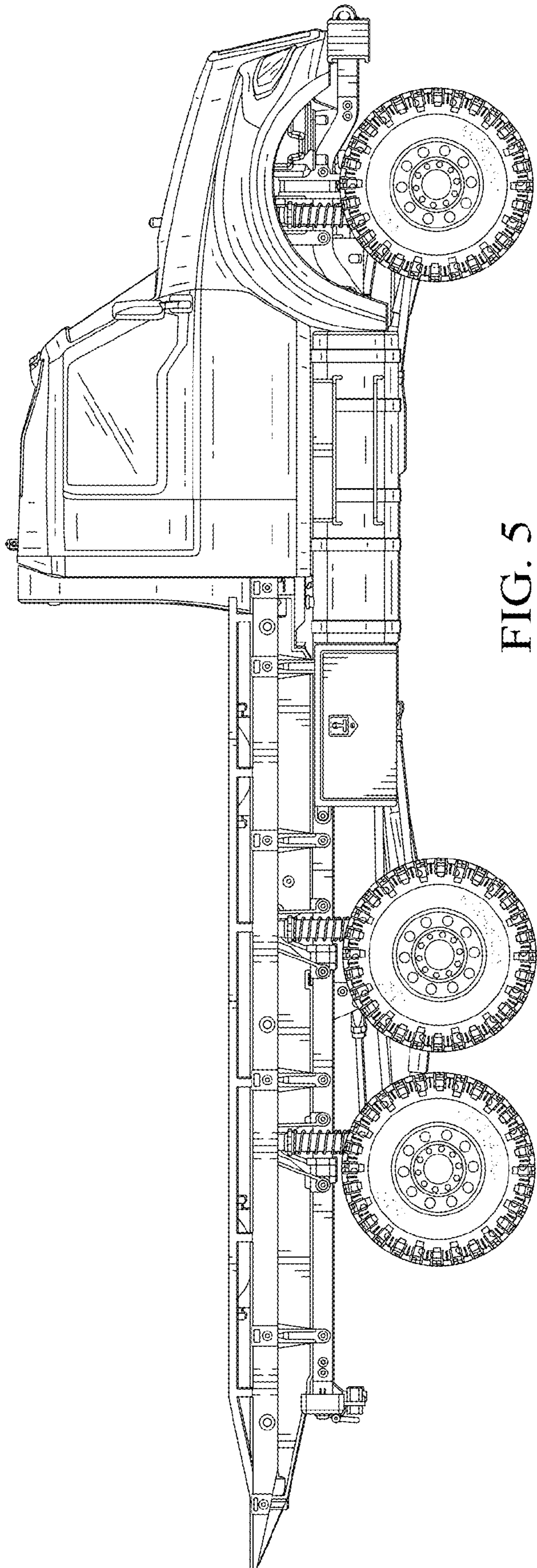


FIG. 5

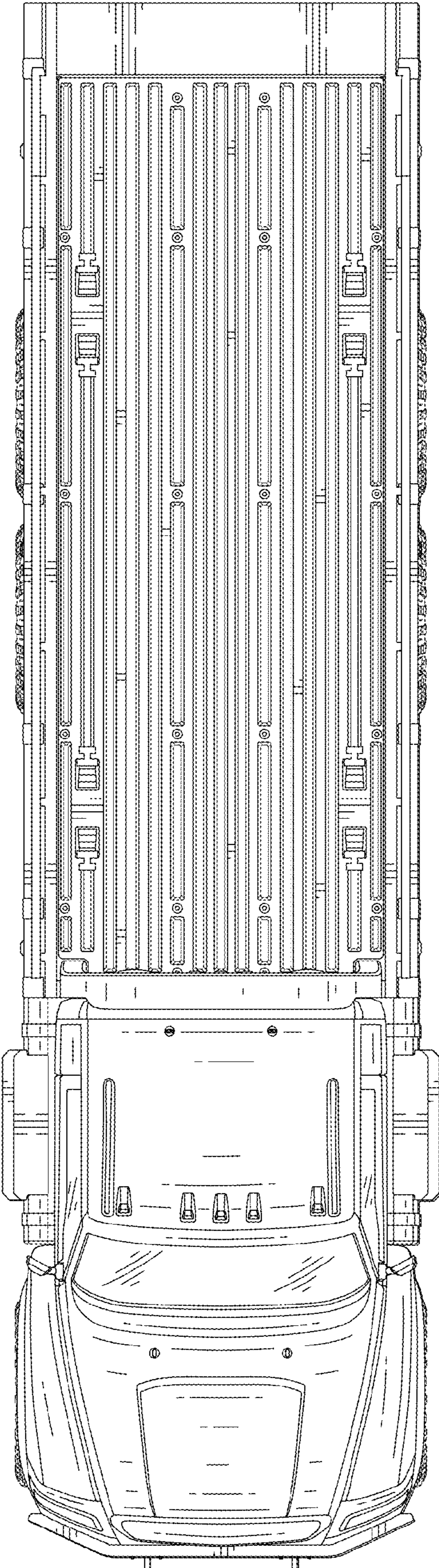


FIG. 6

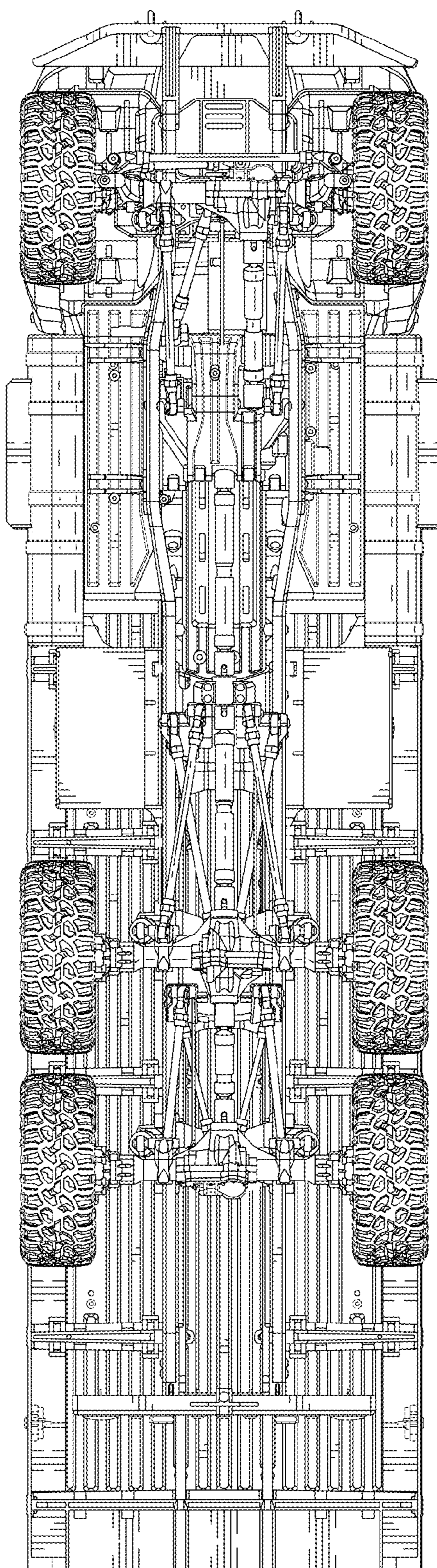


FIG. 7

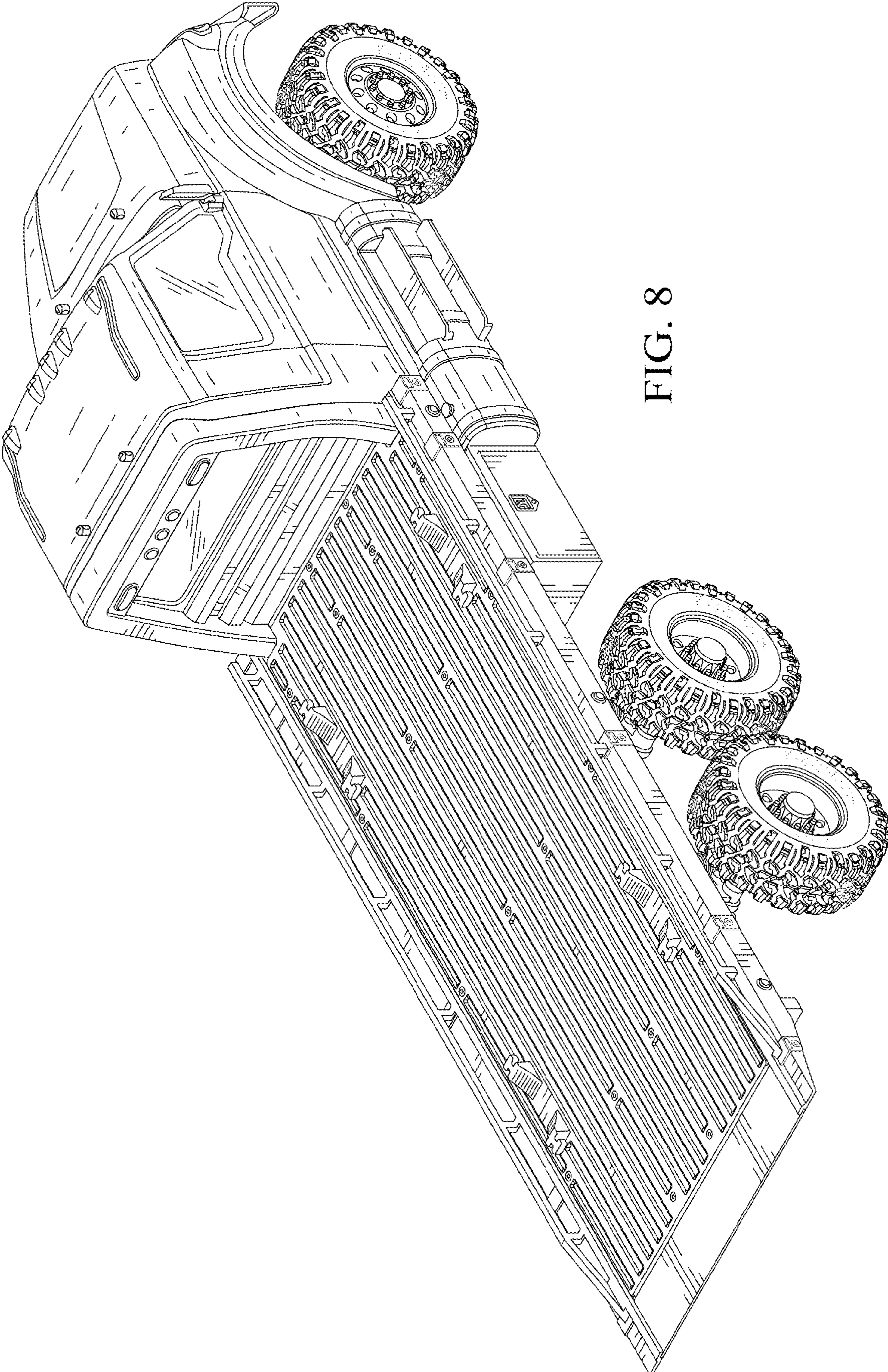


FIG. 8

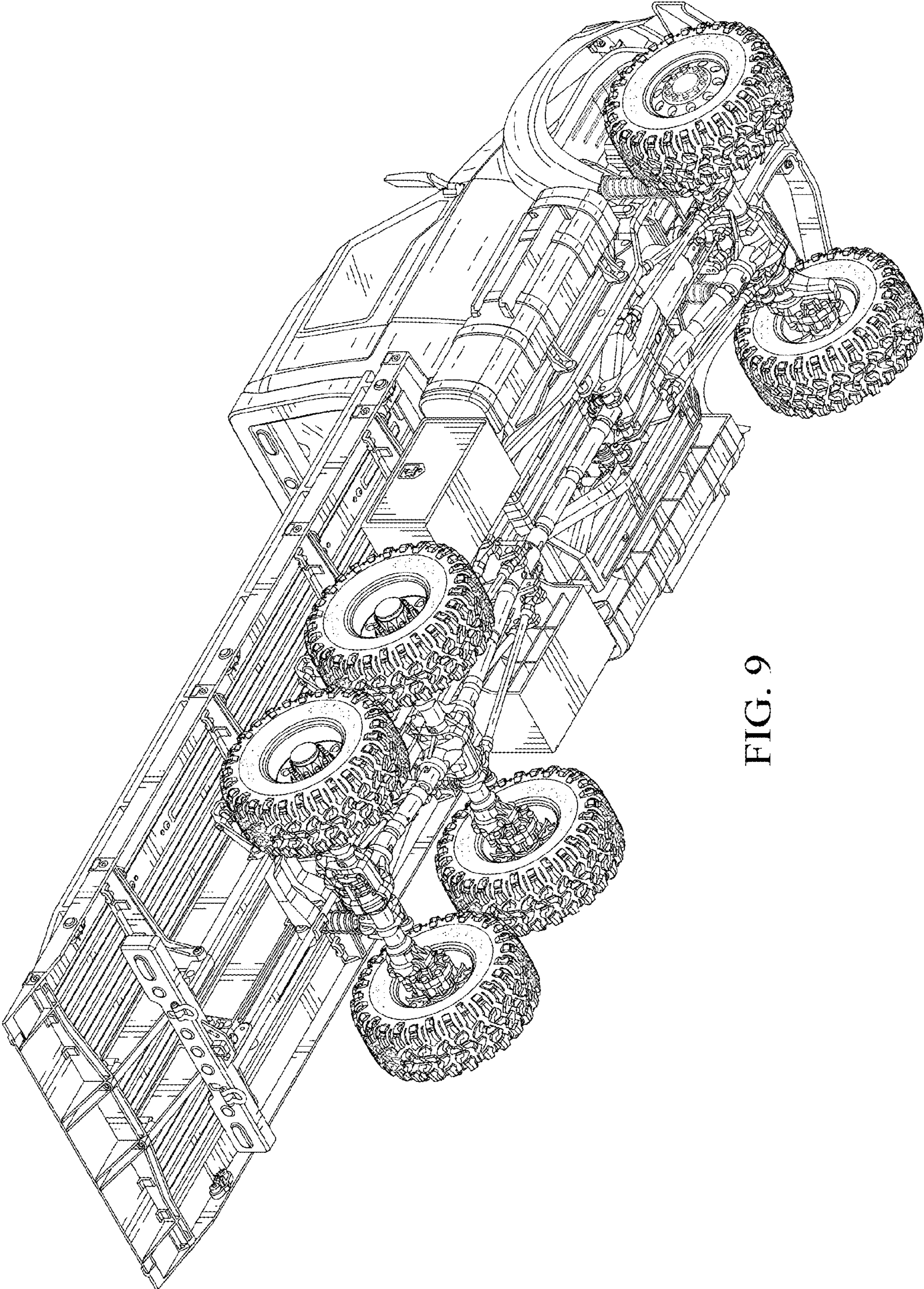


FIG. 9