



US00D924984S

(12) **United States Design Patent**  
**Gustavsson**

(10) **Patent No.:** **US D924,984 S**

(45) **Date of Patent:** **\*\* Jul. 13, 2021**

(54) **CHILDREN'S KITCHEN**  
(71) Applicant: **Inter IKEA Systems B.V.**, Delft (NL)  
(72) Inventor: **Maria Gustavsson**, Grindsted (DK)  
(73) Assignee: **INTER IKEA SYSTEMS B.V.**, Delft (NL)

D486,533 S \* 2/2004 Morris ..... D21/542  
D488,520 S \* 4/2004 Yuen ..... D21/524  
7,094,126 B1 \* 8/2006 Lenihan ..... A63H 33/3055  
446/481  
D577,777 S \* 9/2008 Shen ..... D21/524  
D668,303 S \* 10/2012 Desberg ..... D21/524  
D819,753 S \* 6/2018 Follett ..... D21/524

(Continued)

(\*\*) Term: **15 Years**

(21) Appl. No.: **29/710,980**

(22) Filed: **Oct. 28, 2019**

(30) **Foreign Application Priority Data**

May 8, 2019 (EM) ..... 006434197-0001

(51) **LOC (13) Cl.** ..... **21-01**

(52) **U.S. Cl.**  
USPC ..... **D21/524**

(58) **Field of Classification Search**  
USPC ..... D21/515-516, 519, 522-525, 528,  
D21/530-532; D14/203.7, 341-342, 389,  
D14/440

CPC ..... B05B 17/08; B05B 17/00; E03C 1/08;  
B28B 1/00; A63H 33/00; A63H 33/30

See application file for complete search history.

(56) **References Cited**

**U.S. PATENT DOCUMENTS**

D260,104 S \* 8/1981 Klawitter ..... D21/524  
D260,274 S \* 8/1981 Appel ..... D21/524  
D261,160 S \* 10/1981 Rapaport ..... D21/524  
D261,404 S \* 10/1981 Appel ..... D21/524  
D262,299 S \* 12/1981 Jones ..... D21/524  
4,515,359 A \* 5/1985 Mariol ..... A63H 33/3055  
108/33  
D288,702 S \* 3/1987 Bedell ..... D21/524  
4,772,243 A \* 9/1988 Zeiss ..... A63H 33/3055  
126/191  
D370,947 S \* 6/1996 Pipik ..... D21/524

**FOREIGN PATENT DOCUMENTS**

JP D1662961 \* 7/2020

**OTHER PUBLICATIONS**

Best Play Kitchens for Kids 2020, Food Network blogs, <https://www.foodnetwork.com/fn-dish/shopping/best-play-kitchens-for-kids> site visited Feb. 26, 2021.\*

(Continued)

*Primary Examiner* — John R Yeh

(74) *Attorney, Agent, or Firm* — Tucker Ellis LLP

(57) **CLAIM**

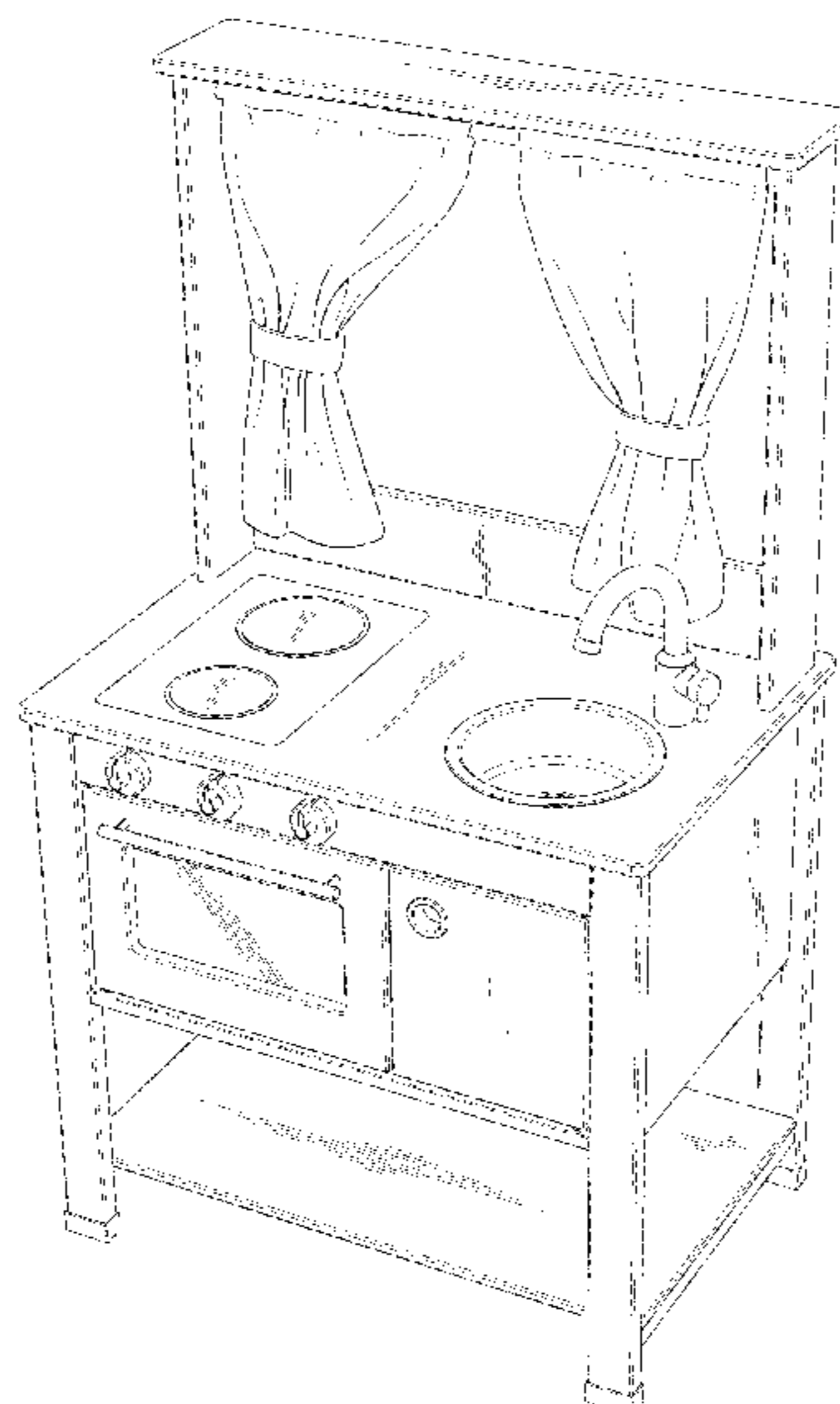
The ornamental design for a children's kitchen, as shown and described.

**DESCRIPTION**

FIG. 1 is a front-left-top perspective view of a first embodiment of a children's kitchen showing my new design; FIG. 2 is a rear-left-top perspective view thereof; FIG. 3 is a front view thereof; FIG. 4 is a rear view thereof; FIG. 5 is a right side view thereof; FIG. 6 is a left side view thereof; FIG. 7 is a top view thereof; and, FIG. 8 is a bottom view thereof.

The broken lines are shown on an entirely claimed surface and are included to show the outlines of features that form no part of the claimed design.

**1 Claim, 7 Drawing Sheets**



(56)

**References Cited**

U.S. PATENT DOCUMENTS

D825,008 S \* 8/2018 Follett ..... D21/524  
D902,325 S \* 11/2020 Johnson ..... D21/524  
2012/0225605 A1\* 9/2012 Fein ..... A63H 33/3055  
446/481

OTHER PUBLICATIONS

Oxford Toy Kitchen | Le Toy Van website 2021, <https://letoyvan.com/products/oxford-toy-kitchen>, site visited Feb. 26, 2021.\*

\* cited by examiner

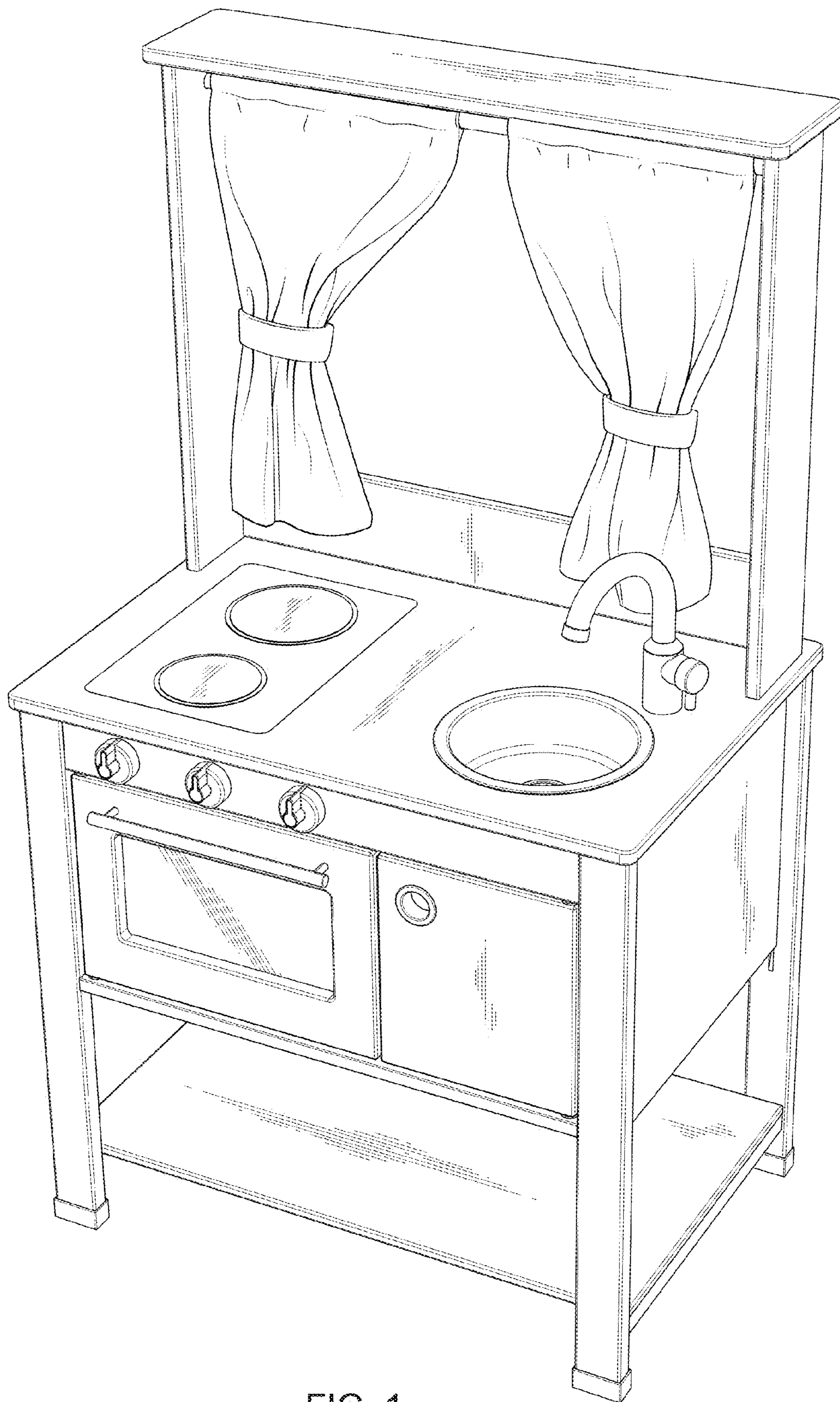


FIG. 1



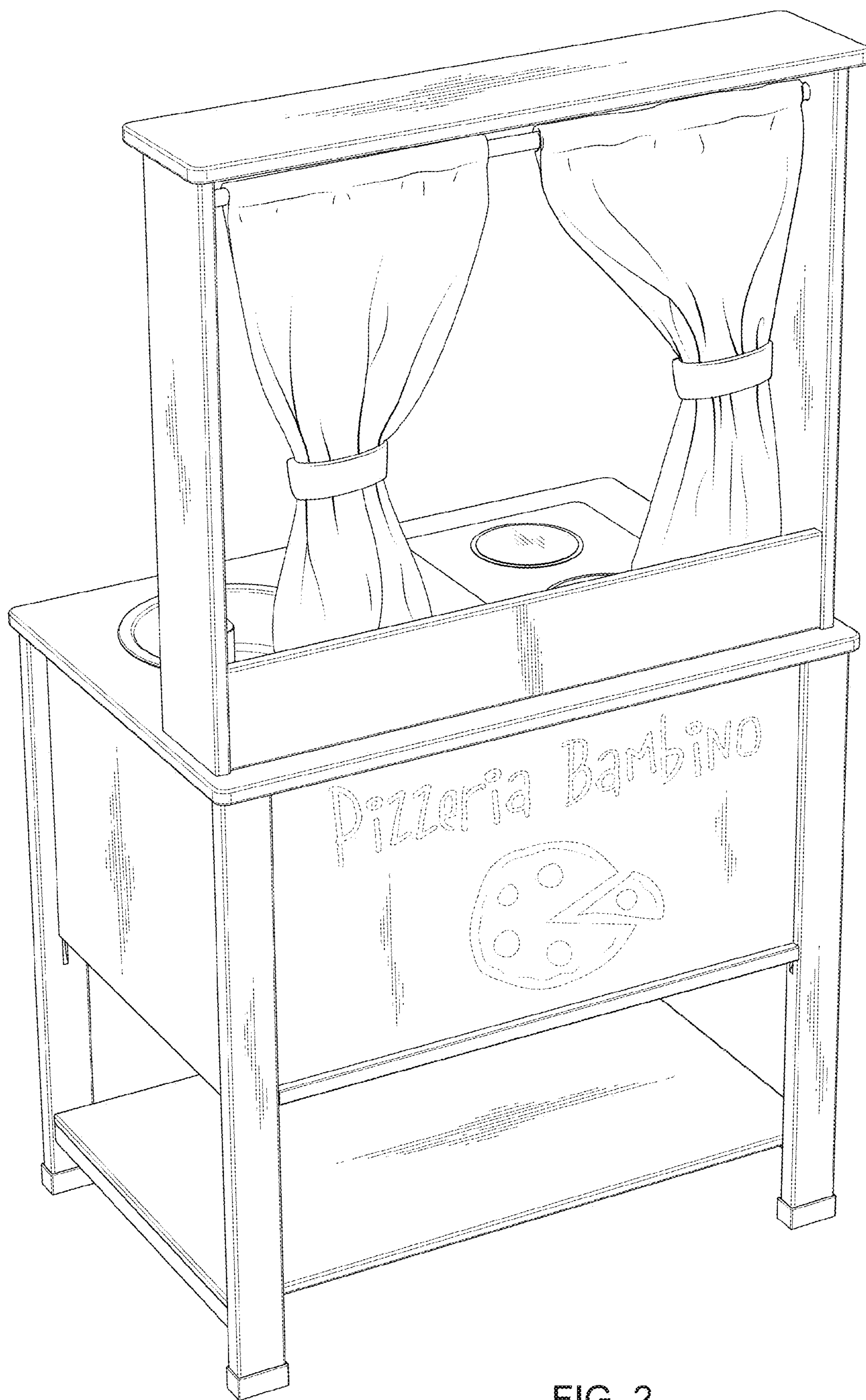


FIG. 2

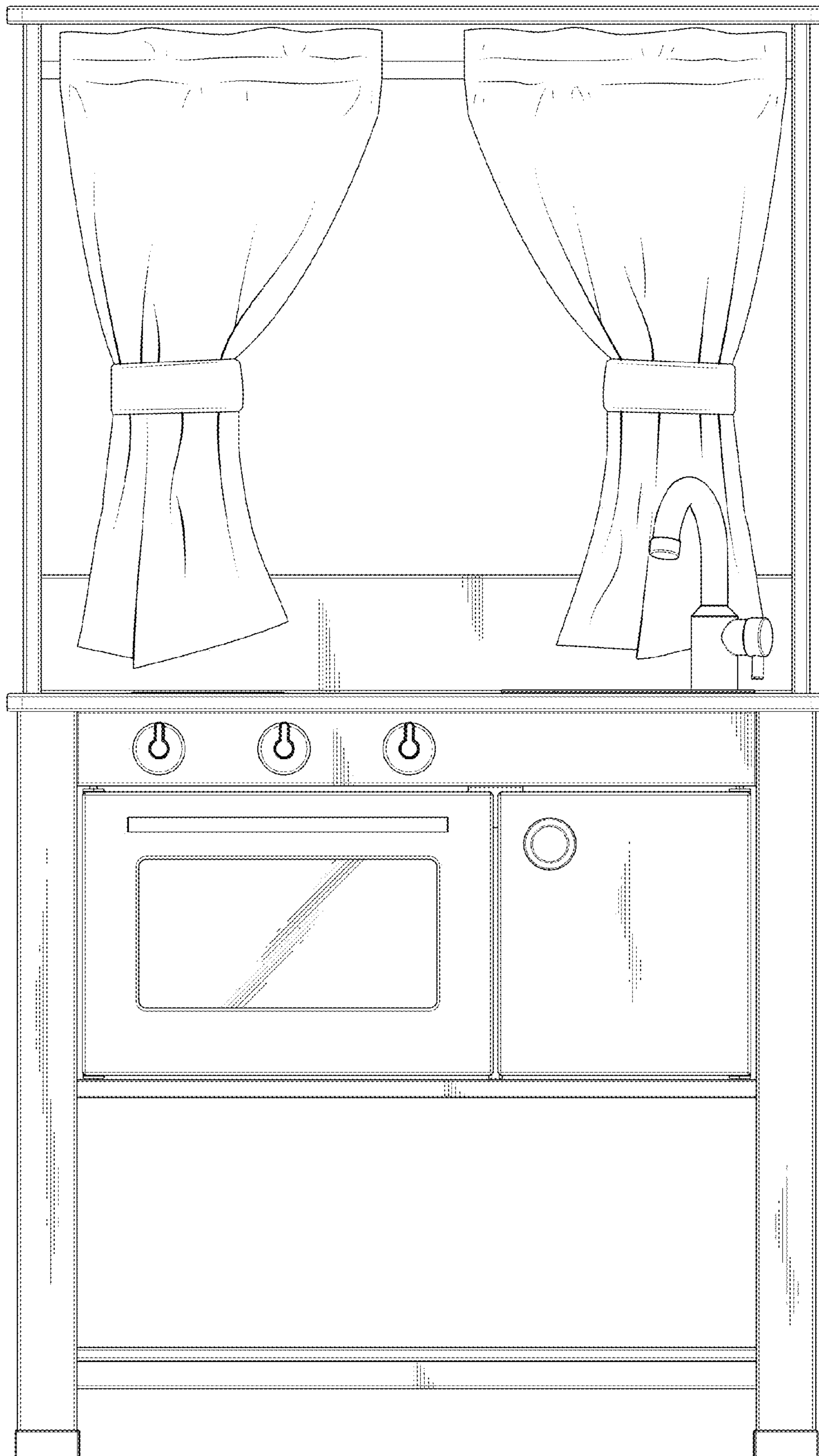


FIG. 3

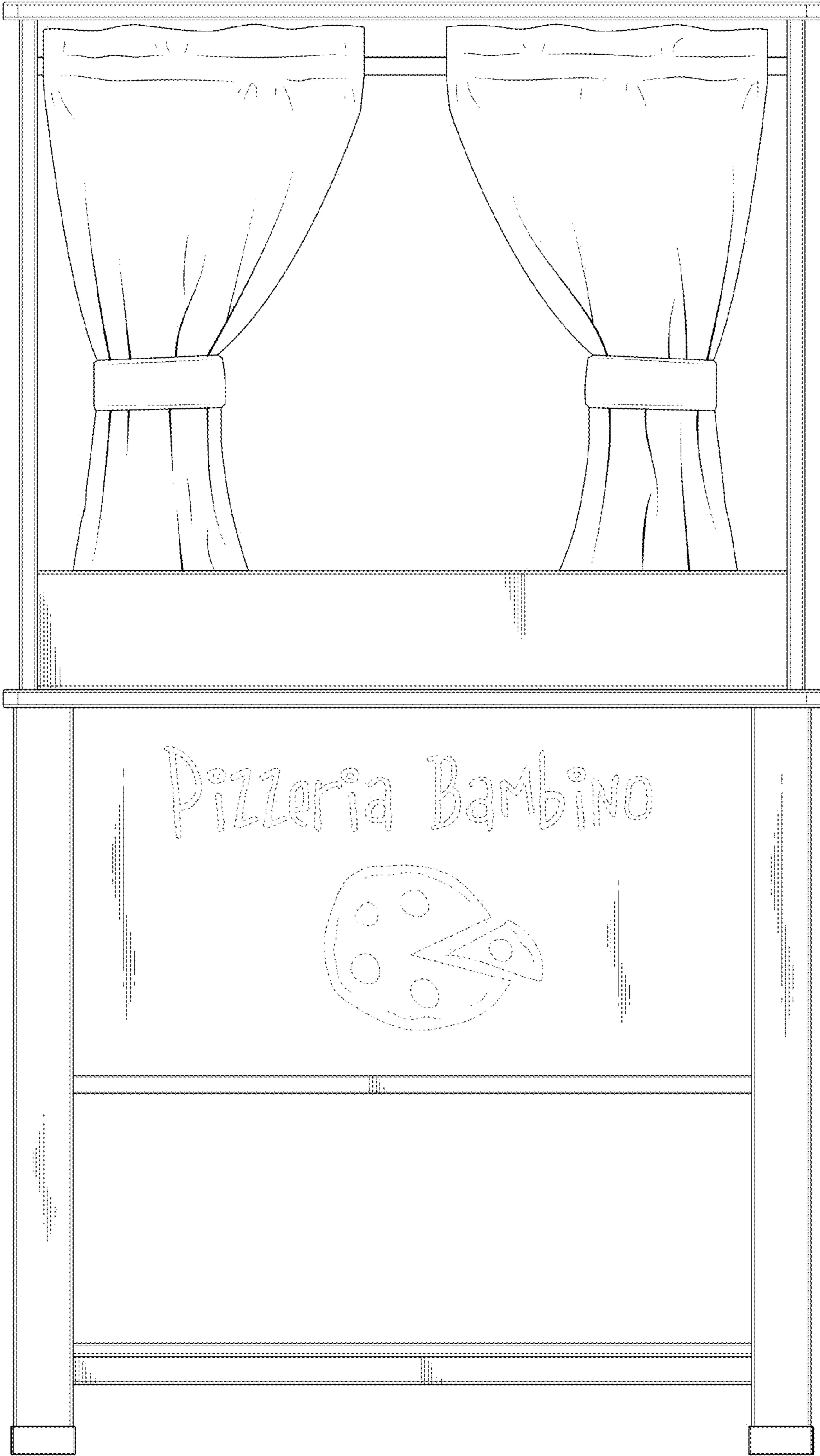


FIG. 4

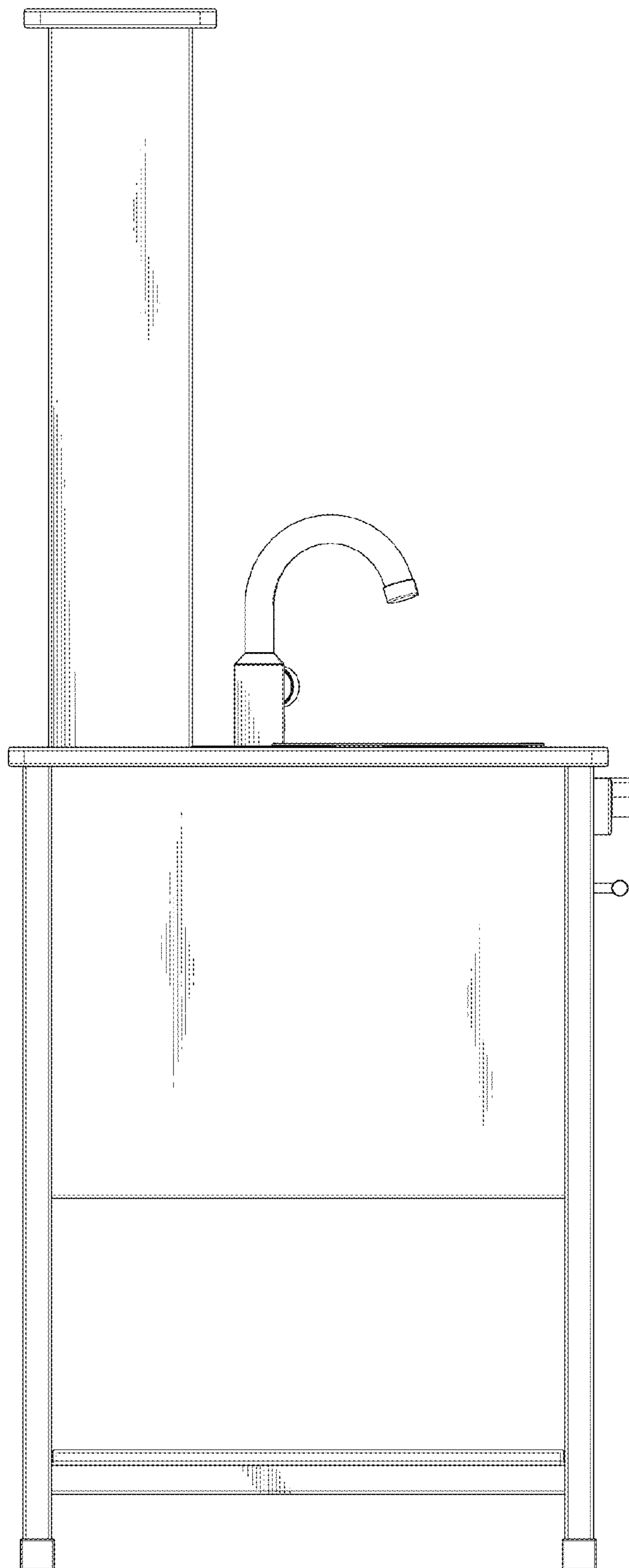


FIG. 5

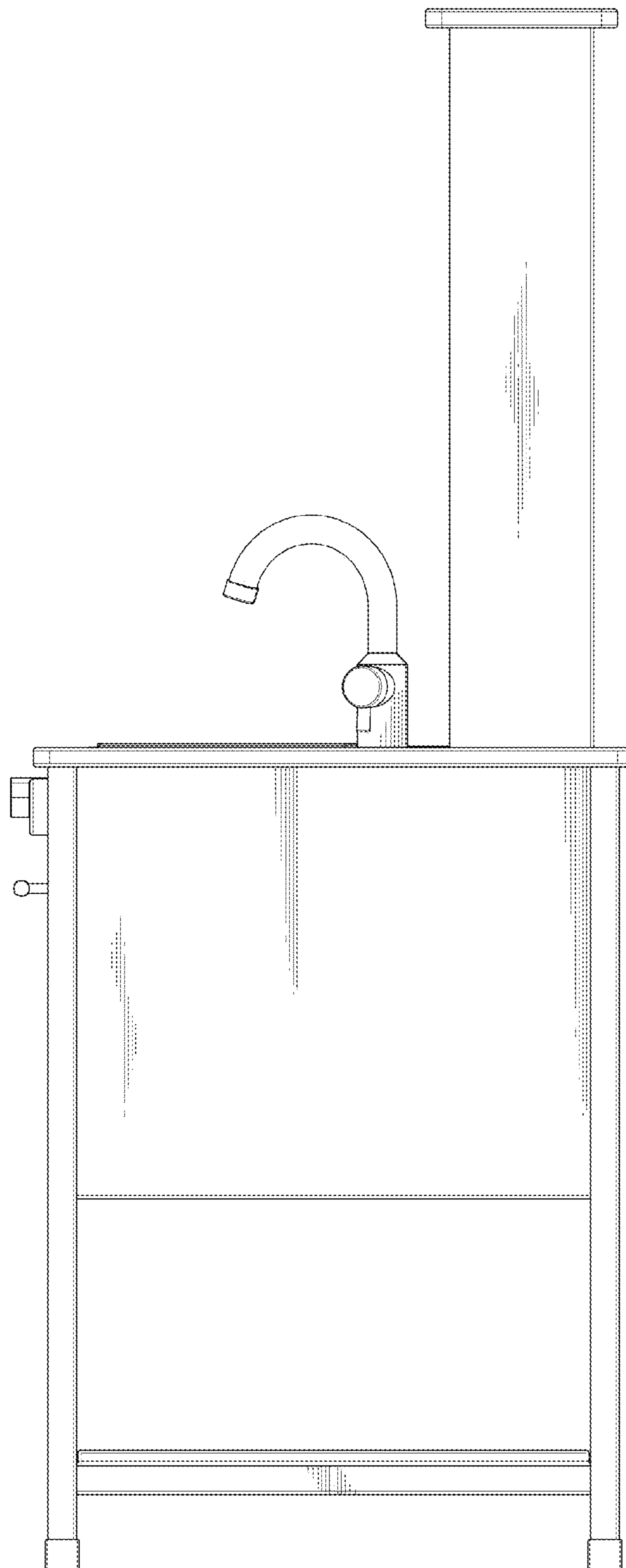


FIG. 6



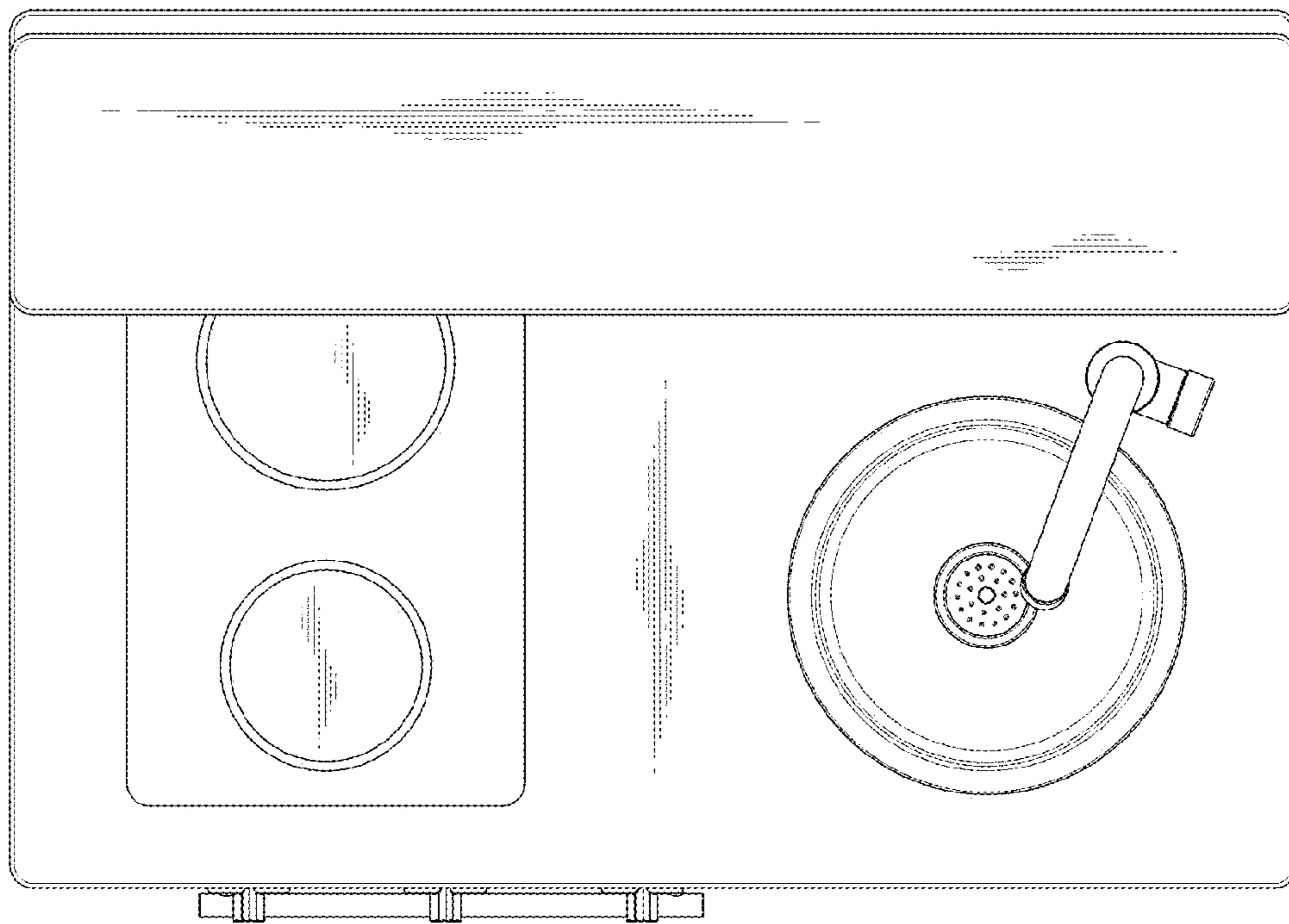


FIG. 7

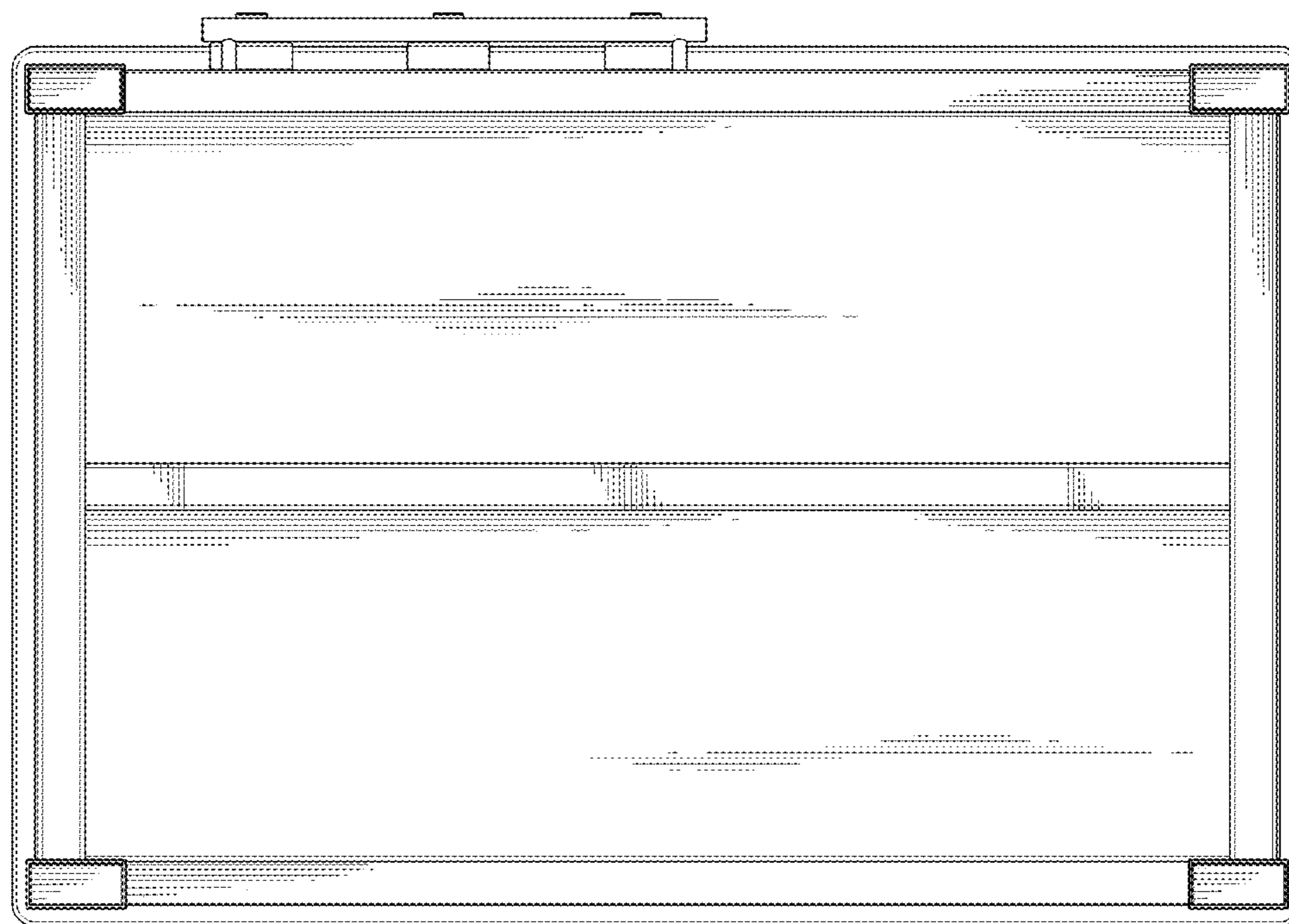


FIG. 8