



US00D924983S

(12) **United States Design Patent** (10) **Patent No.:** **US D924,983 S**
Eckert (45) **Date of Patent:** **** Jul. 13, 2021**

(54) **CHILDREN’S RIDE-ON VEHICLE**

OTHER PUBLICATIONS

- (71) Applicant: **ECKERT PRODUCT DEVELOPMENT LLC**, Markle, IN (US)
- (72) Inventor: **Cameron Drew Eckert**, Markle, IN (US)
- (73) Assignee: **Eckert Product Development LLC**, Markle, IN (US)
- (**) Term: **15 Years**
- (21) Appl. No.: **29/683,401**
- (22) Filed: **Mar. 13, 2019**
- (51) **LOC (13) Cl.** **21-01**
- (52) **U.S. Cl.**
USPC **D21/434**
- (58) **Field of Classification Search**
USPC D12/86, 163–164, 169, 173, 175, 177, D12/184, 196; D21/419, 424, 433–434
CPC A63H 17/262; A63H 29/00
See application file for complete search history.

Rollplay. “Rollplay 6-Volt Bateria Powered Ride-On.” Amazon.com, published Nov. 20, 2017 (Retrieved from the Internet Feb. 19, 2020). Internet URL: <https://www.amazon.com.mx/Rollplay-Bateria-de-6-voltios/dp/B01M0SQ51B> (Year: 2017).*

DeMuro, Doug. “Your Child Has Many Land Rover Riding Toys to Choose From.” Autotrader, published Apr. 2018 (Retrieved from the Internet Feb. 19, 2020). Internet URL: <https://www.autotrader.com/car-news/your-child-has-many-land-rover-riding-toys-choose-281474979848104> (Year: 2018).*

“Pro-Line 2017 Ford F-150 Raptor truck body shell.” Red RC Network, published Sep. 23, 2018 (Retrieved from the Internet Feb. 19, 2020). Internet URL: <https://www.redrc.net/2018/09/pro-line-2017-ford-f-150-raptor-truck-body-shell/> (Year: 2018).*

* cited by examiner

Primary Examiner — Jack Reickel
Assistant Examiner — Rachel A Voorhies
 (74) *Attorney, Agent, or Firm* — Barnes & Thornburg LLP

(56) **References Cited**

U.S. PATENT DOCUMENTS

D391,900 S *	3/1998	Skoog	D12/86
D431,845 S *	10/2000	Huntsberger	D21/434
D508,441 S *	8/2005	Moushegian	D12/86
D565,466 S *	4/2008	Moushegian	B60J 7/106
				D12/91
D566,789 S *	4/2008	Idiot	D21/552
D641,669 S *	7/2011	Vardis	D12/173
D739,471 S *	9/2015	Min	D21/433
D771,203 S *	11/2016	Gan	D21/552
D797,603 S *	9/2017	Noone	D12/91
D803,727 S *	11/2017	Noone	D12/98
D823,197 S *	7/2018	Bucher	D12/173
D863,157 S *	10/2019	Wilkins	D12/173
D869,570 S *	12/2019	Barajas	D21/548
2019/0308673 A1 *	10/2019	Mar	B60J 7/106
2020/0001194 A1 *	1/2020	Wood	B62D 25/18

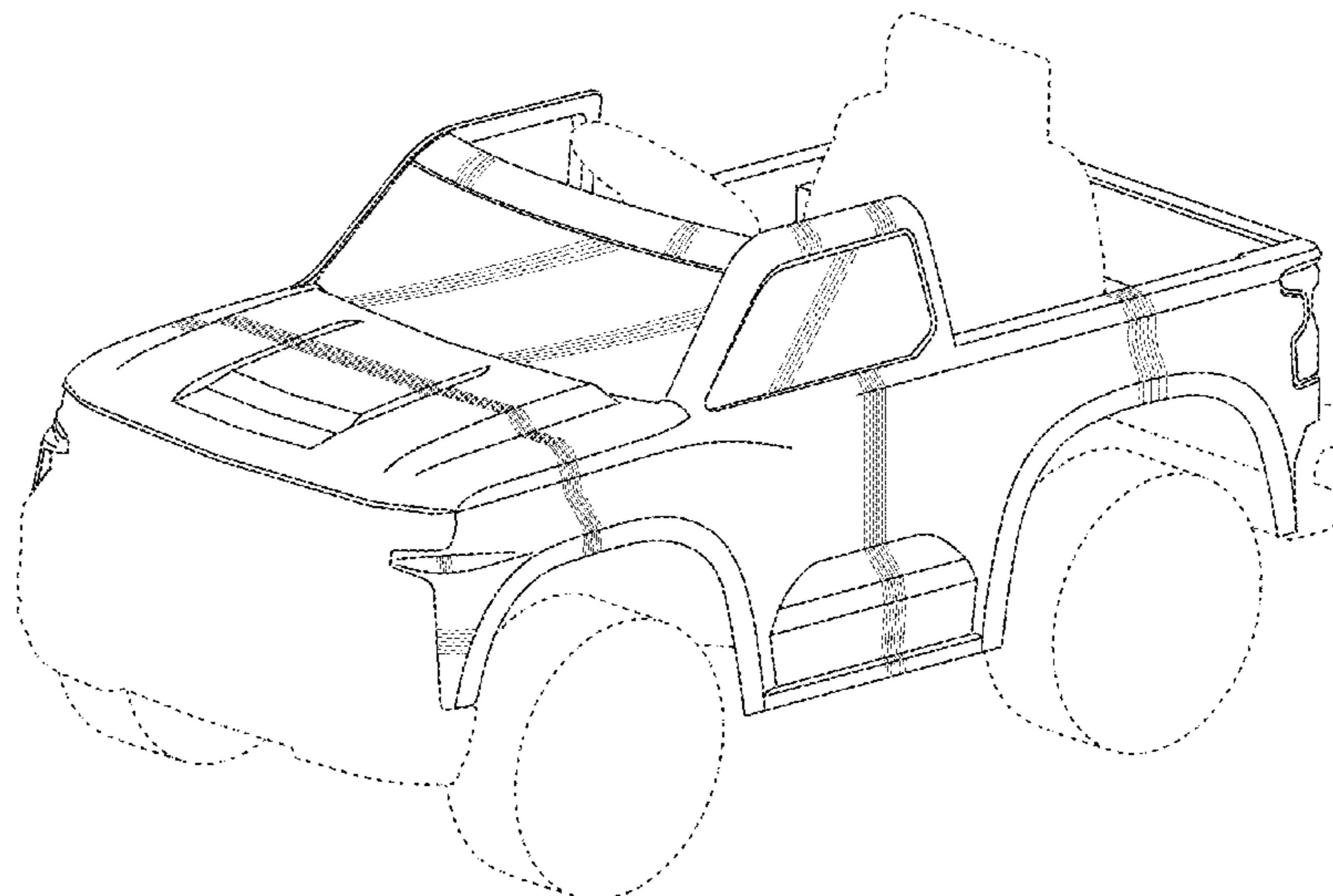
(57) **CLAIM**

The ornamental design for a children’s ride-on vehicle, as shown and described.

DESCRIPTION

FIG. 1 is a perspective view of our new design; FIG. 2 is a front elevational view thereof; FIG. 3 is a rear elevational view thereof; FIG. 4 is the left side elevation view thereof, the right side of which is a mirror image; FIG. 5 is a top view thereof; and, FIG. 6 is a bottom view thereof. The broken lines shown in the drawings are for purposes of illustrating portions of the design and form no part of the claimed design.

1 Claim, 6 Drawing Sheets



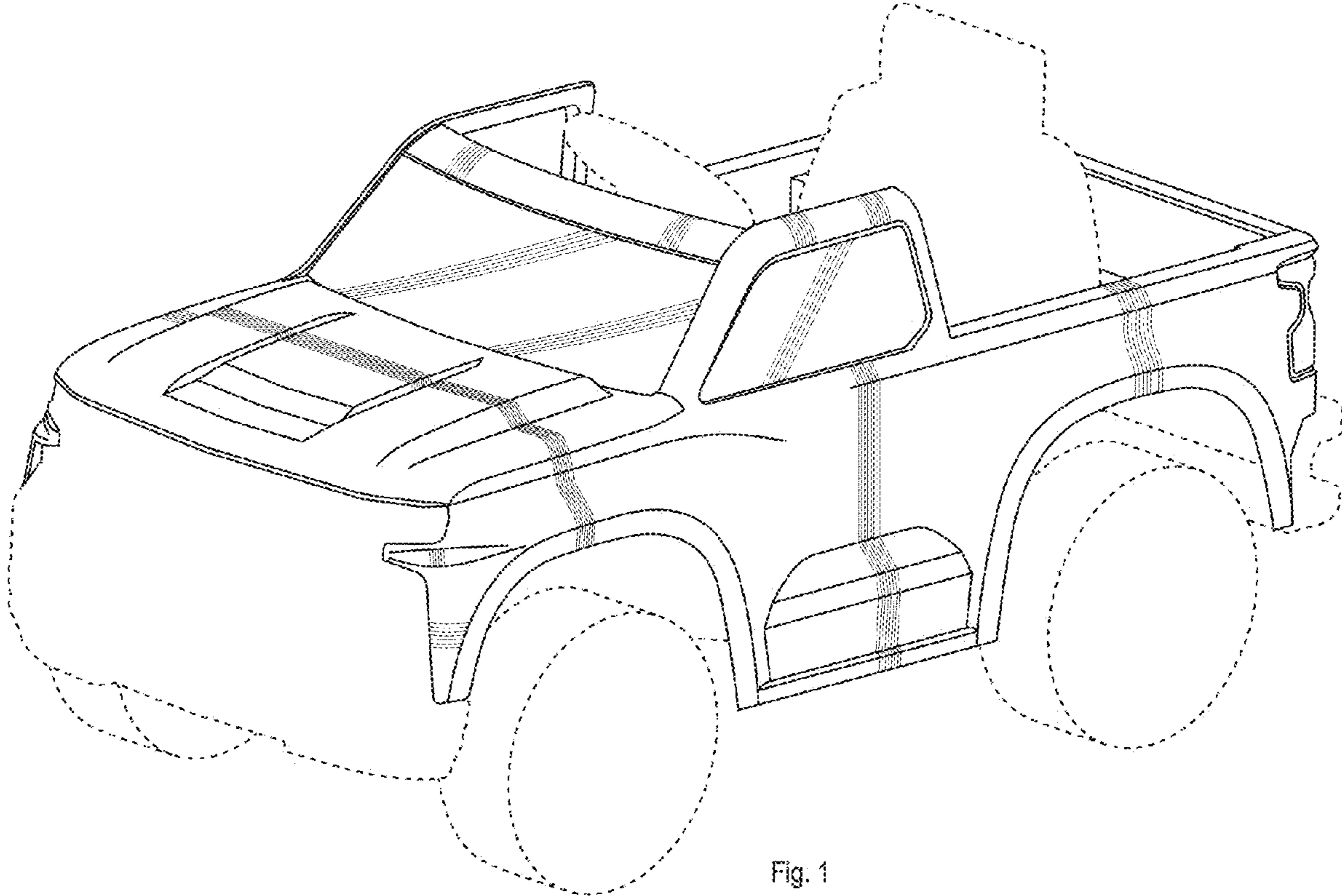


Fig. 1

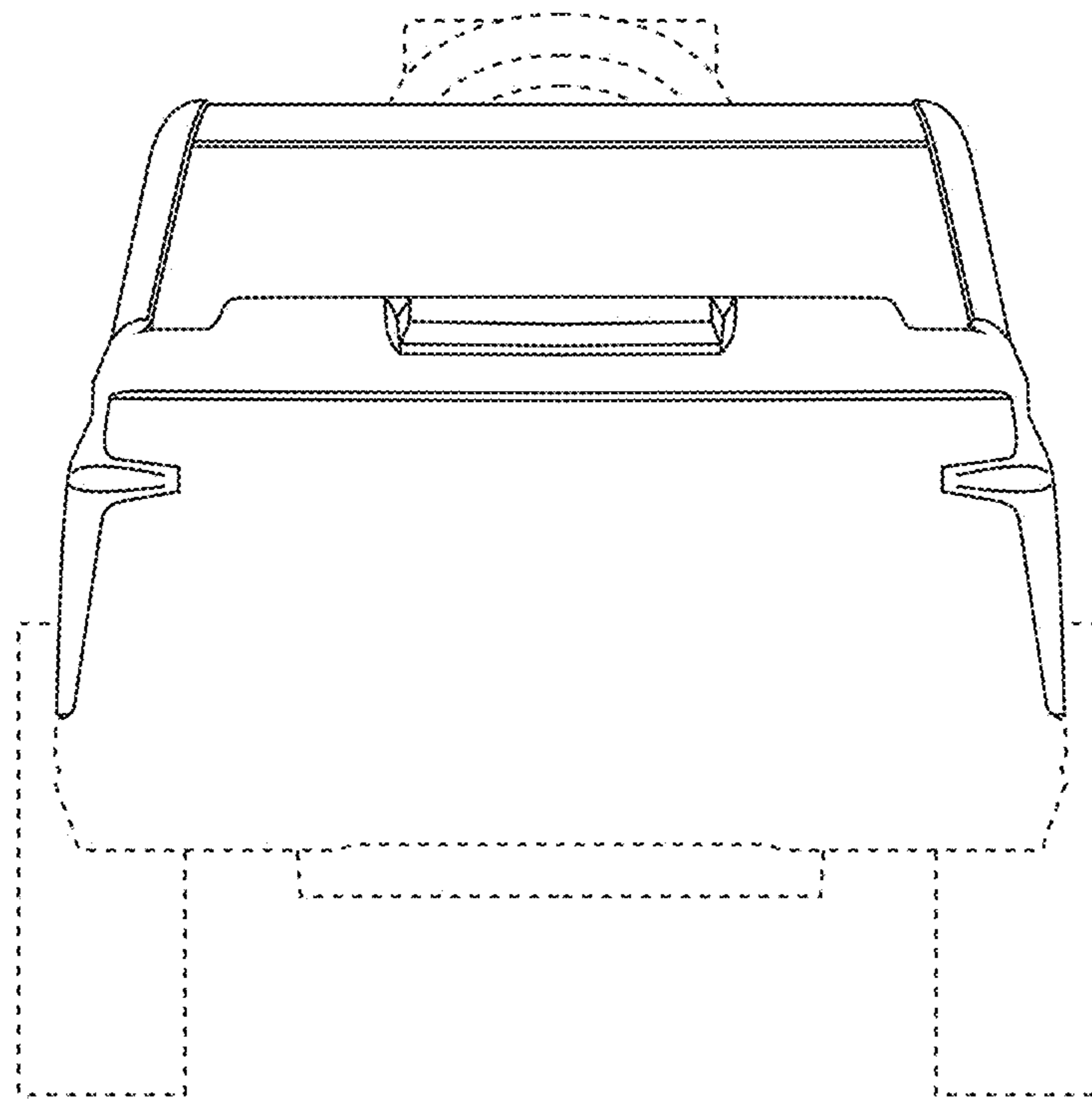


Fig. 2

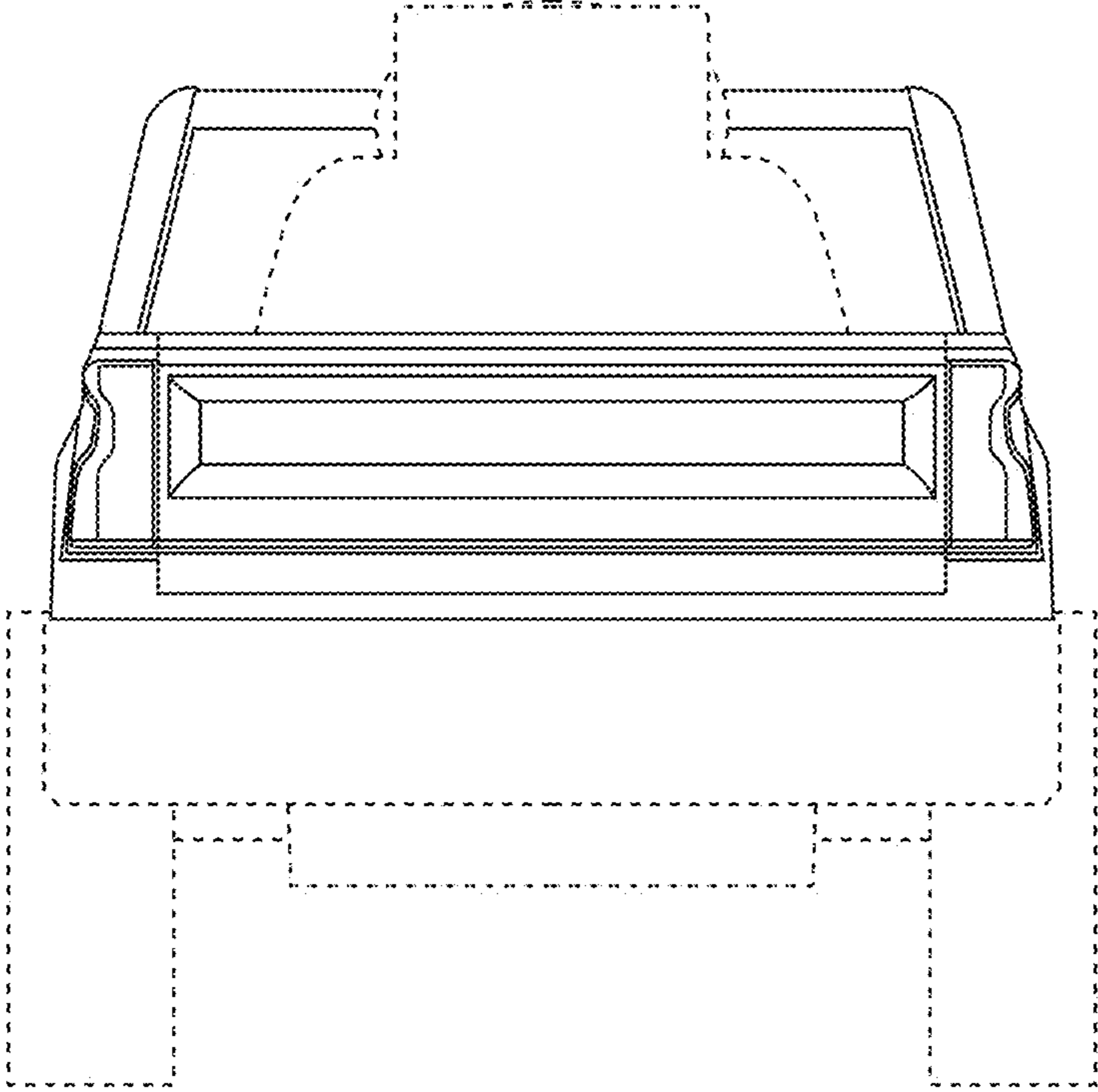


Fig. 3

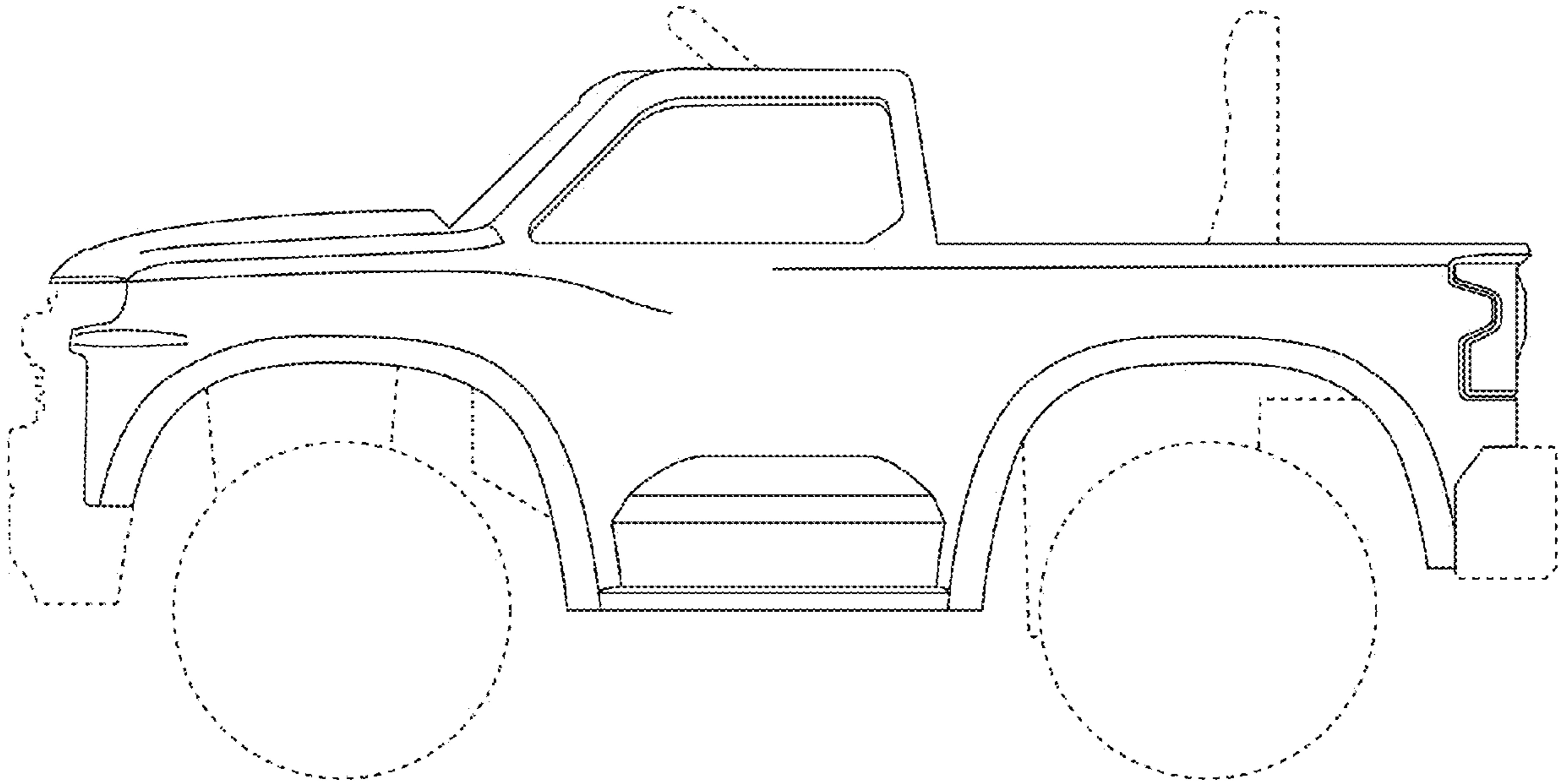


Fig. 4

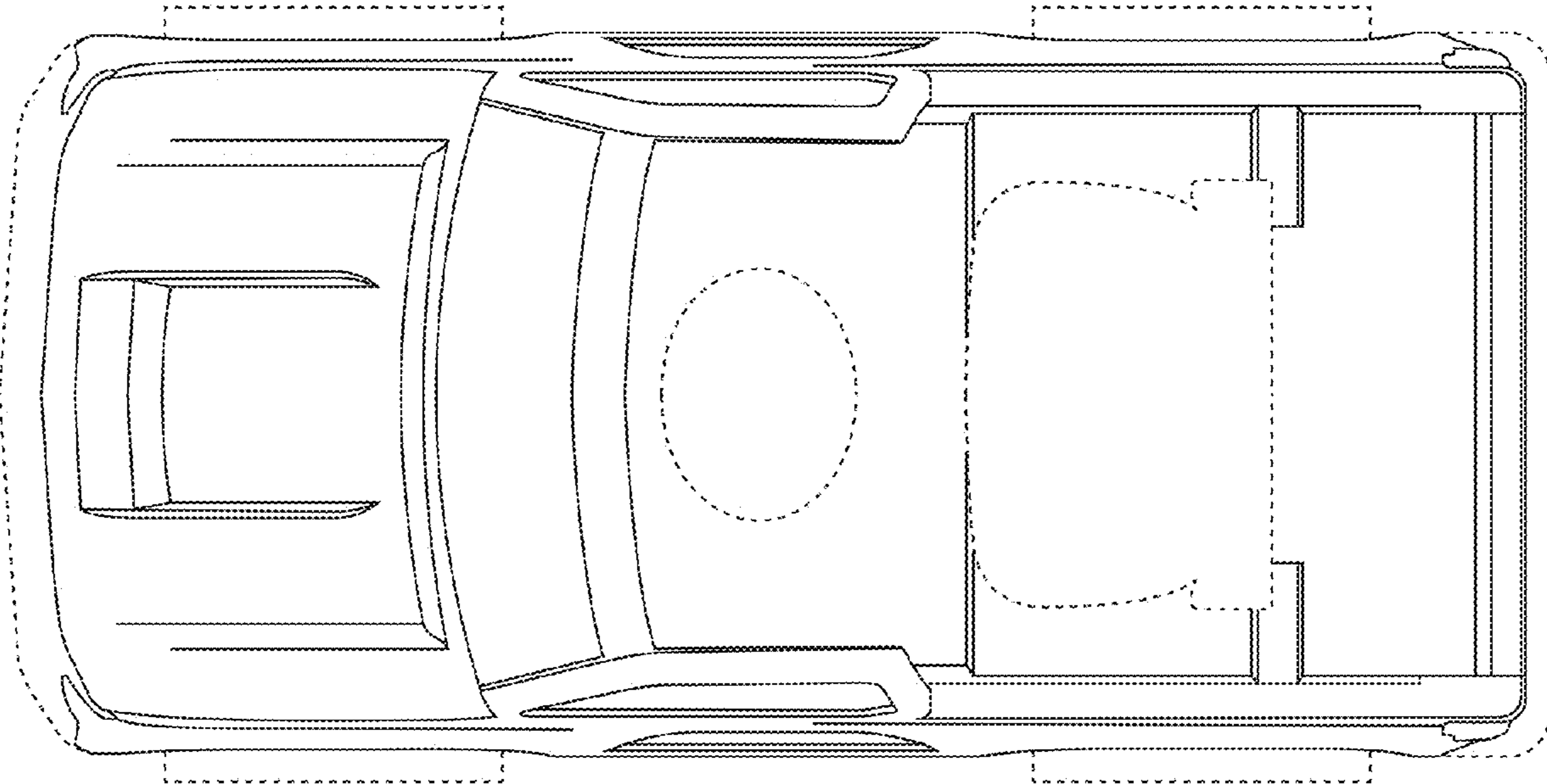


Fig. 5

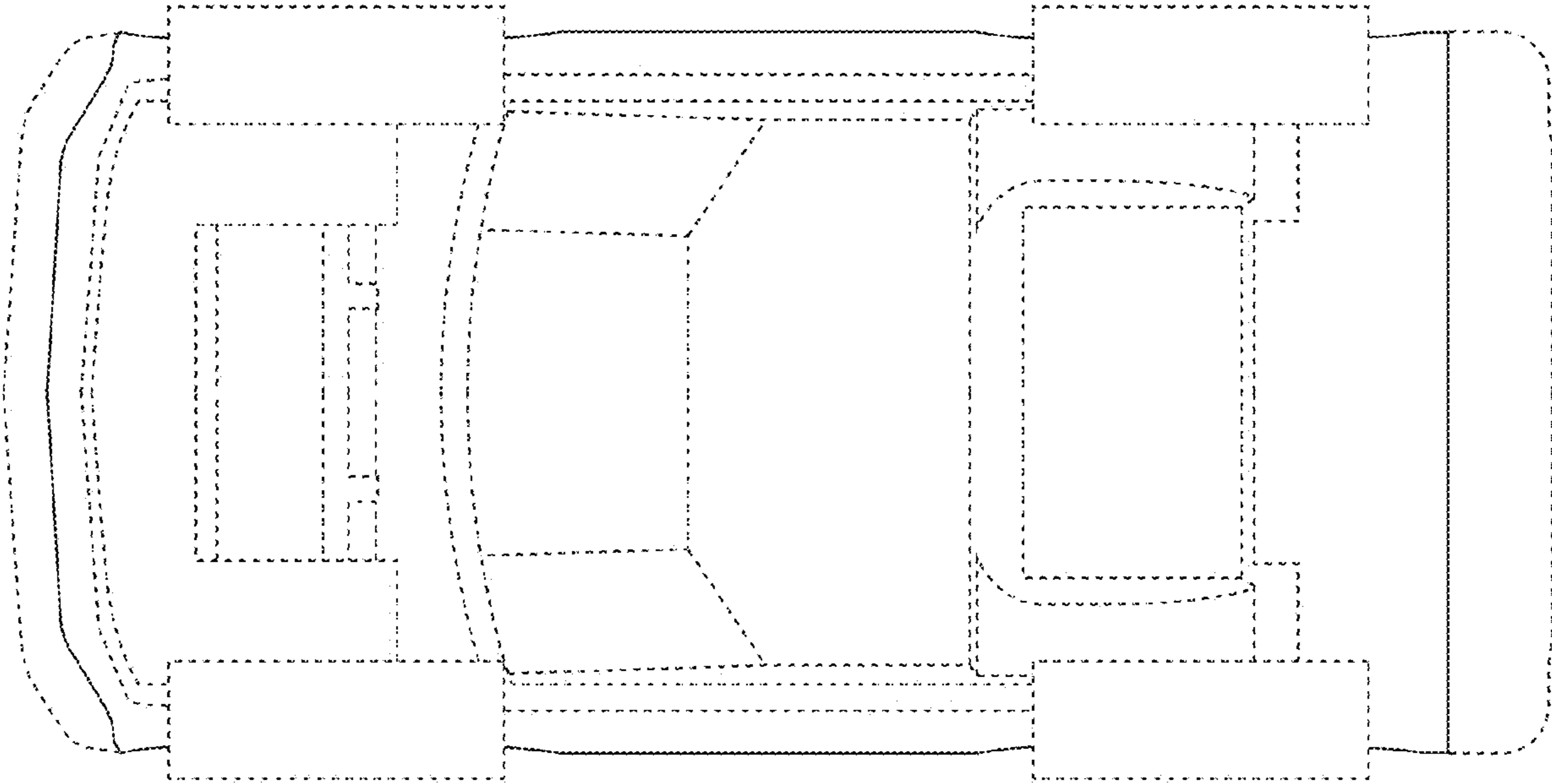


Fig. 6