



US00D924974S

(12) **United States Design Patent**
Elmer

(10) **Patent No.:** **US D924,974 S**

(45) **Date of Patent:** **** Jul. 13, 2021**

(54) **VEHICLE-MOUNTED SIGN**

(71) Applicant: **Steven W. Elmer**, Winter Park, FL
(US)

(72) Inventor: **Steven W. Elmer**, Winter Park, FL
(US)

(**) Term: **15 Years**

(21) Appl. No.: **29/753,842**

(22) Filed: **Oct. 2, 2020**

Related U.S. Application Data

(62) Division of application No. 29/677,001, filed on Jan. 16, 2019, now Pat. No. Des. 901,591.

(51) **LOC (13) Cl.** **20-03**

(52) **U.S. Cl.**
USPC **D20/10**

(58) **Field of Classification Search**

USPC D14/125, 126, 127, 250, 257, 336, 371,
D14/374, 432; D20/10, 13, 17, 19, 29,
D20/38, 39, 41, 42, 43, 99; D13/102
CPC G09F 7/00; G09F 7/02; G09F 7/16; G09F
9/00; G09F 9/3026; G09F 9/33; G09F
9/35; G09F 13/00; G09F 13/22; G09F
15/00; G09F 15/0056; G09F 15/0068;
G06F 3/14; H01R 13/514

See application file for complete search history.

(56) **References Cited**

U.S. PATENT DOCUMENTS

D327,333 S * 6/1992 Elmer D20/10
D328,143 S * 7/1992 Elmer D20/10
D359,515 S * 6/1995 Kinart D20/42
D368,934 S * 4/1996 Elmer D20/42
D425,812 S * 5/2000 Bodo D10/113.4
6,056,425 A * 5/2000 Appelberg B60Q 1/2611
362/493
D429,766 S * 8/2000 Elmer D20/10

D496,966 S * 10/2004 Ulrich D20/42
D552,633 S * 10/2007 Volkan D11/157
D567,876 S * 4/2008 Au D20/10
D617,384 S * 6/2010 Elmer D20/10
D641,900 S * 7/2011 Iqbal D26/31
D654,540 S * 2/2012 Zarelius D20/43
D655,348 S * 3/2012 Cooper D20/43
D657,421 S * 4/2012 Yan D20/10
D657,422 S * 4/2012 Yan D20/10
RE44,480 E * 9/2013 Elmer G09F 21/042
40/592
D740,407 S * 10/2015 Kassouni D24/101
D831,116 S * 10/2018 Banas D20/10
D841,236 S * 2/2019 Zuckerman D28/8.1
D846,830 S * 4/2019 Kamakura D1/127
D862,836 S * 10/2019 Bauer D1/127
D901,587 S * 11/2020 Elmer D20/10
D901,588 S * 11/2020 Elmer D20/10
D901,589 S * 11/2020 Elmer D20/10

(Continued)

Primary Examiner — Mary Ann Calabrese

Assistant Examiner — Catherine Ho

(74) *Attorney, Agent, or Firm* — Allen Dyer Doppelt & Gilchrist, PA

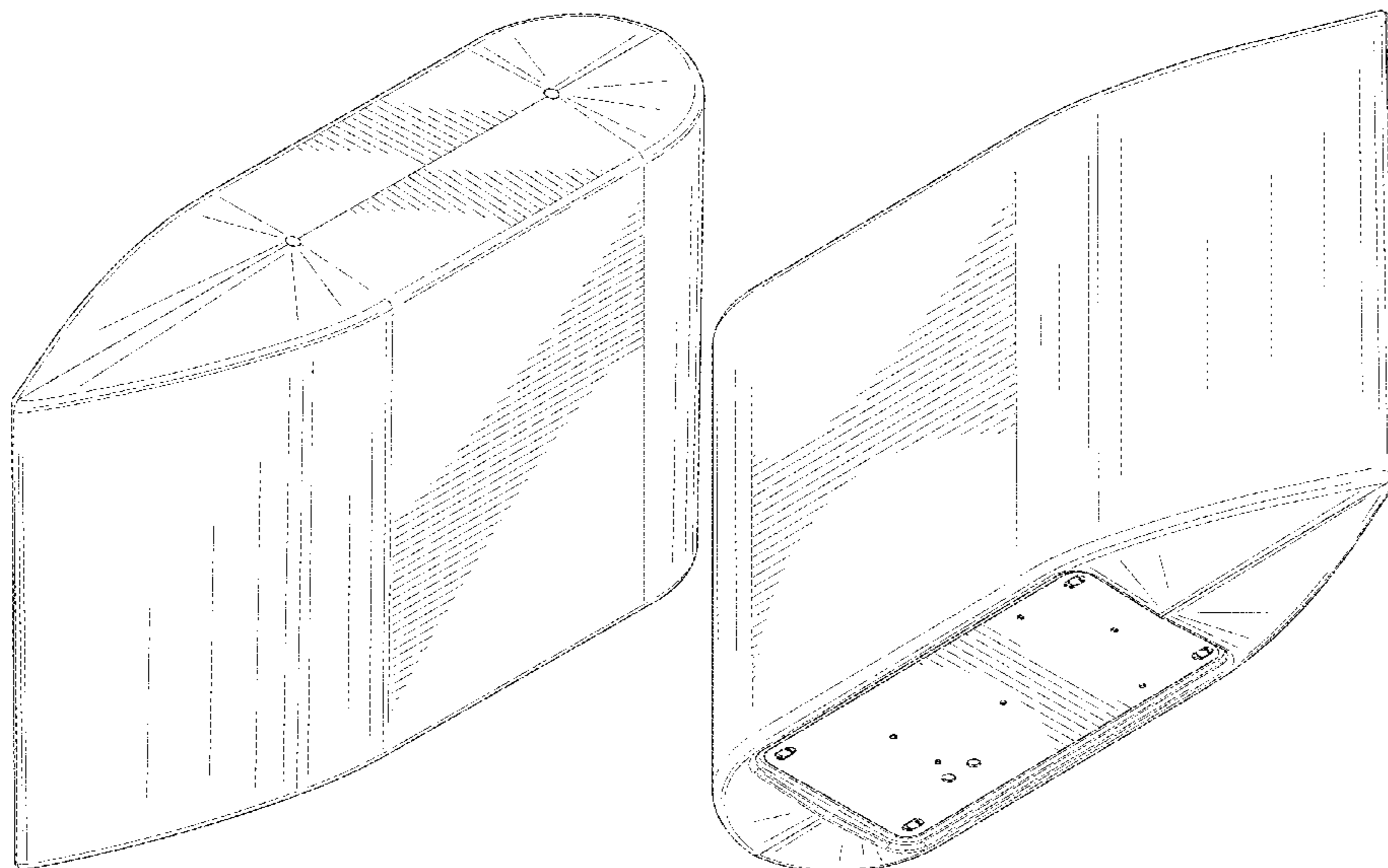
(57) **CLAIM**

The ornamental design for a vehicle-mounted sign, as shown and described.

DESCRIPTION

FIG. 1 is a top, right, front perspective view of a vehicle-mounted sign;
FIG. 2 is a bottom, right, rear perspective view thereof;
FIG. 3 is a rear view thereof;
FIG. 4 is a front view thereof;
FIG. 5 is a top view thereof;
FIG. 6 is a bottom view thereof;
FIG. 7 is a left side view thereof; and,
FIG. 8 is a right side view thereof.

1 Claim, 6 Drawing Sheets



(56)

References Cited

U.S. PATENT DOCUMENTS

D901,590 S * 11/2020 Elmer D20/10
D901,591 S * 11/2020 Elmer D20/10
D901,592 S * 11/2020 Elmer D20/10

* cited by examiner

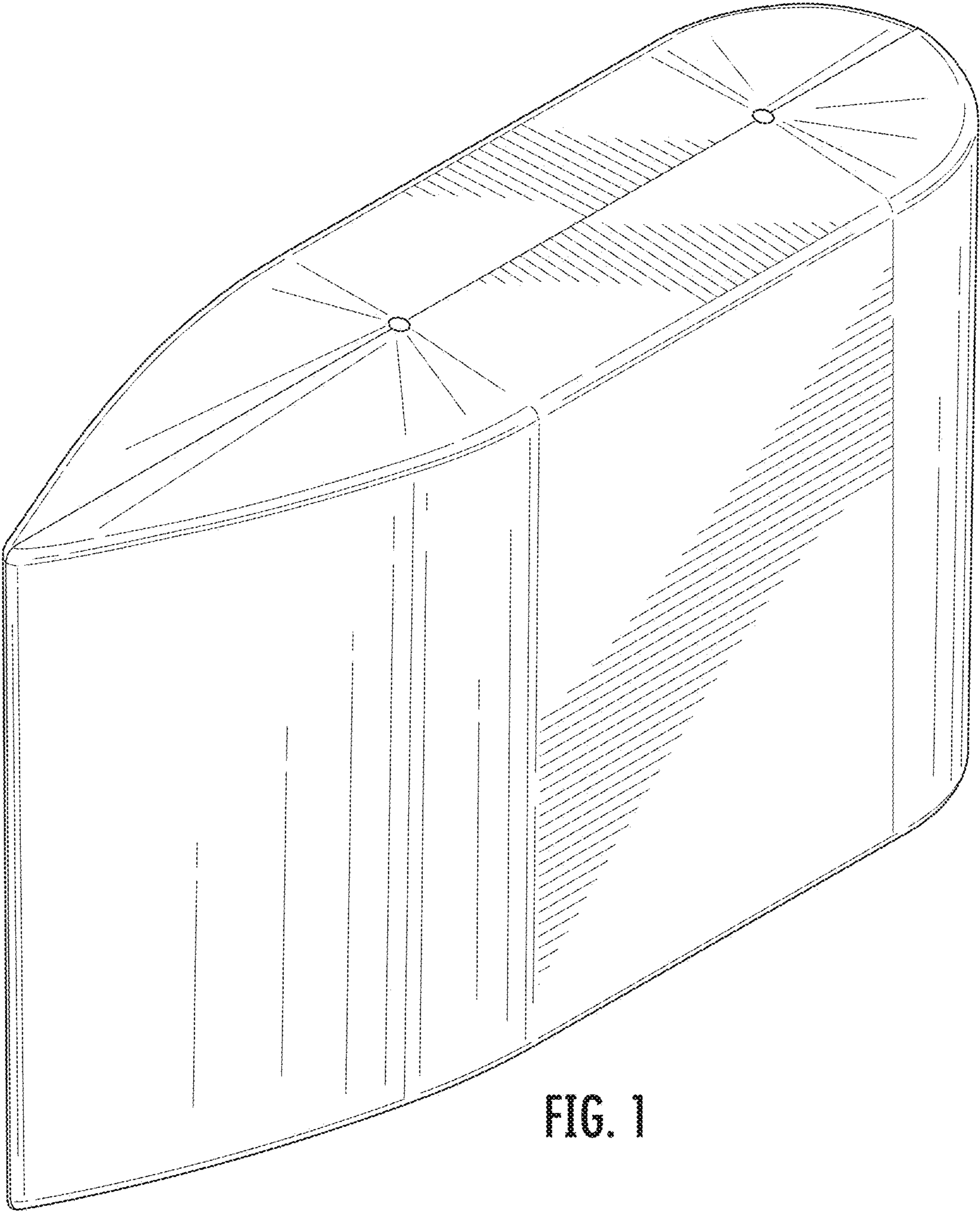


FIG. 1

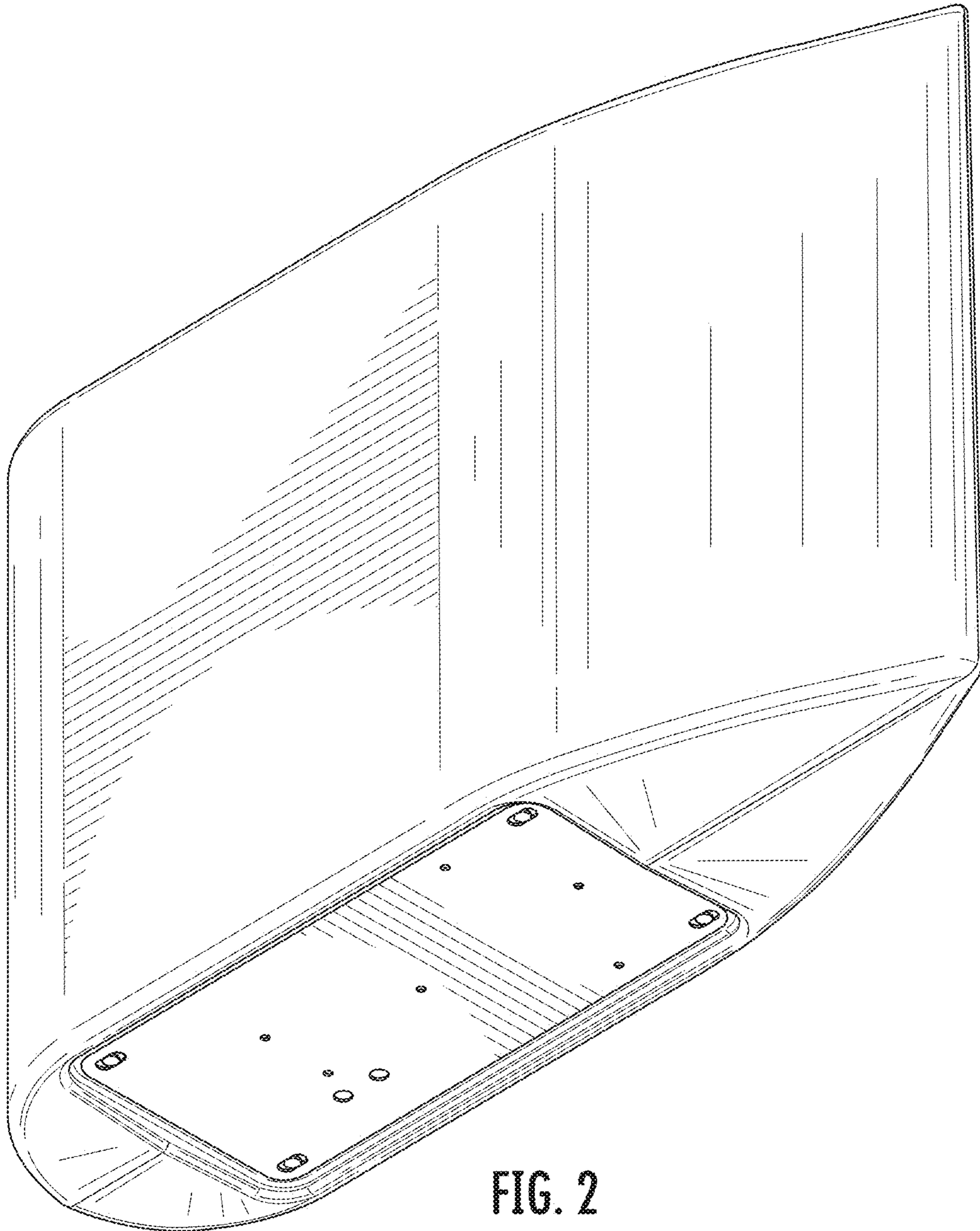


FIG. 2

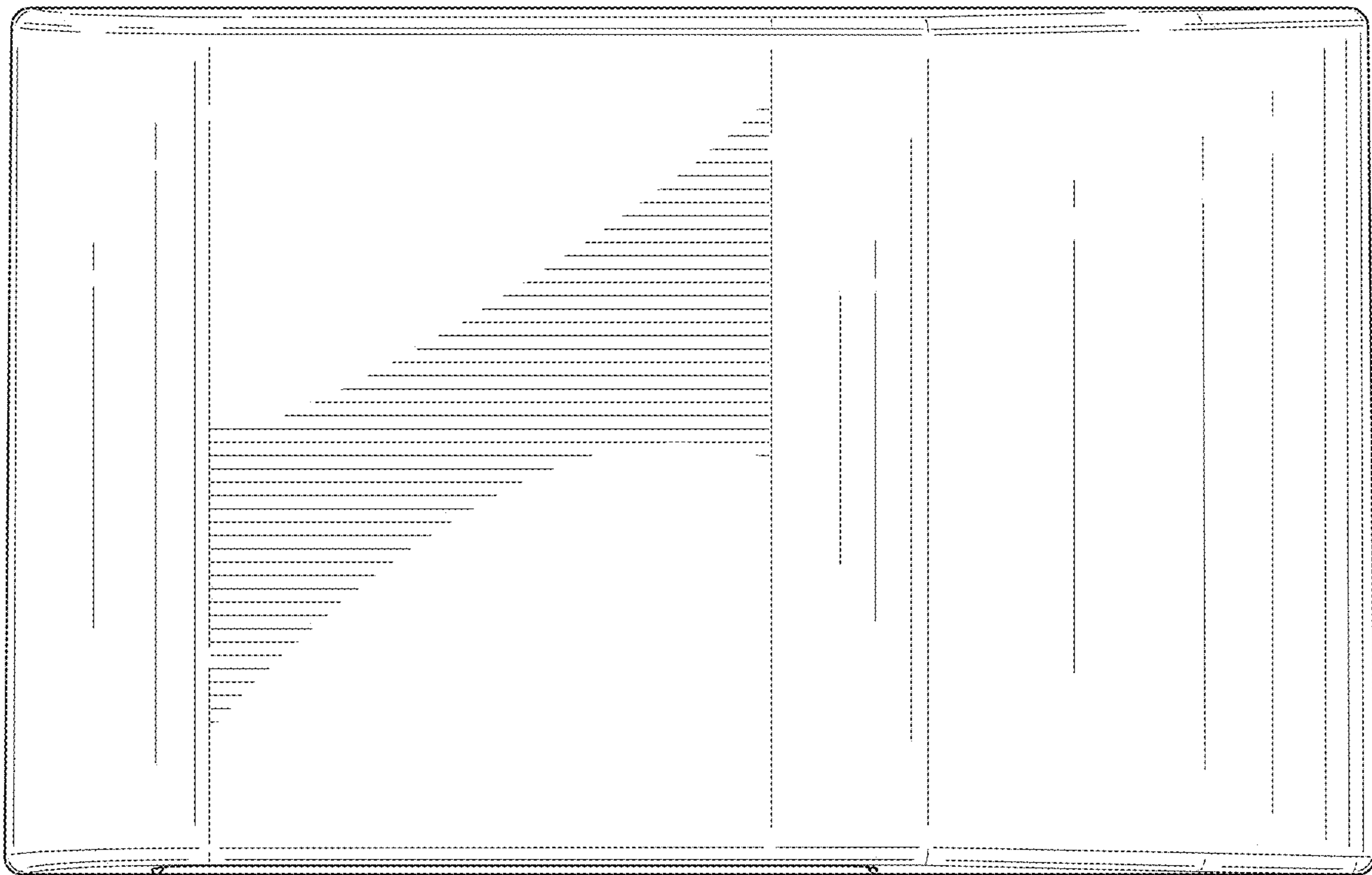


FIG. 3

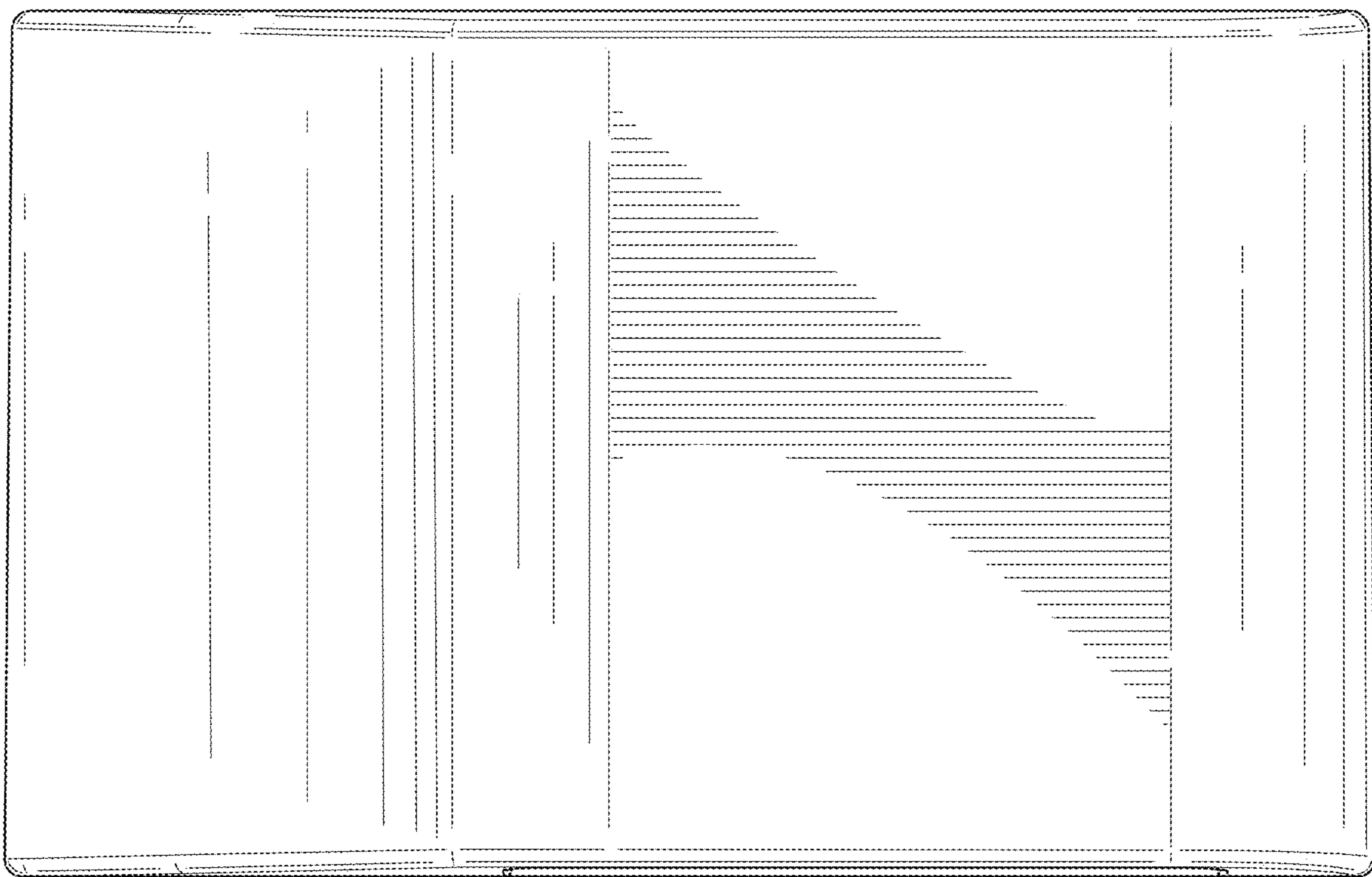


FIG. 4

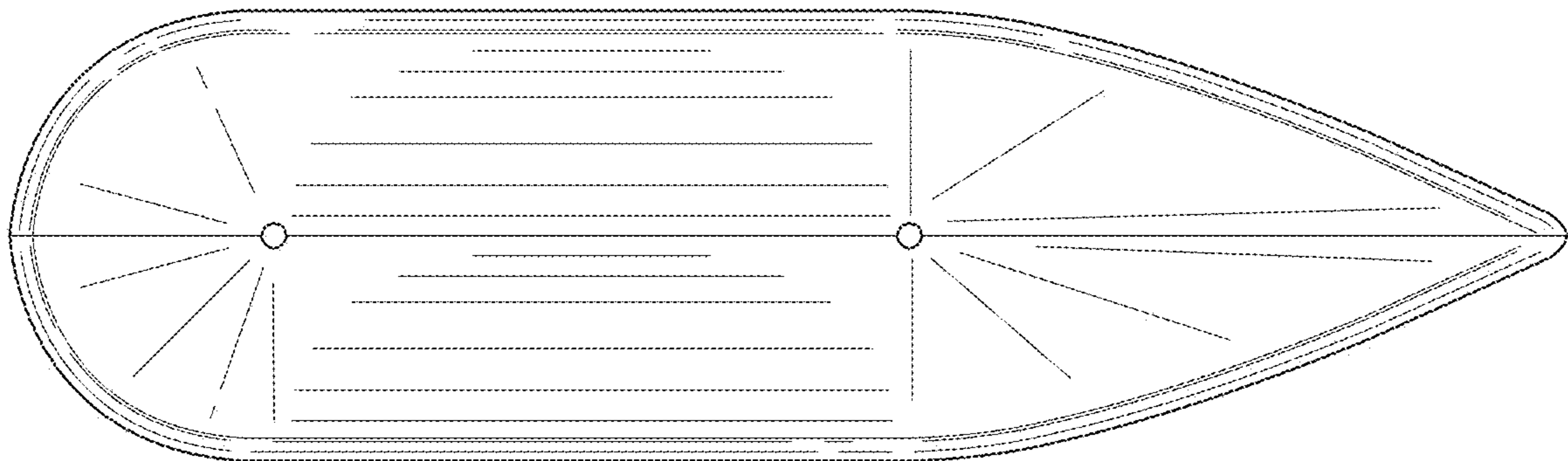


FIG. 5

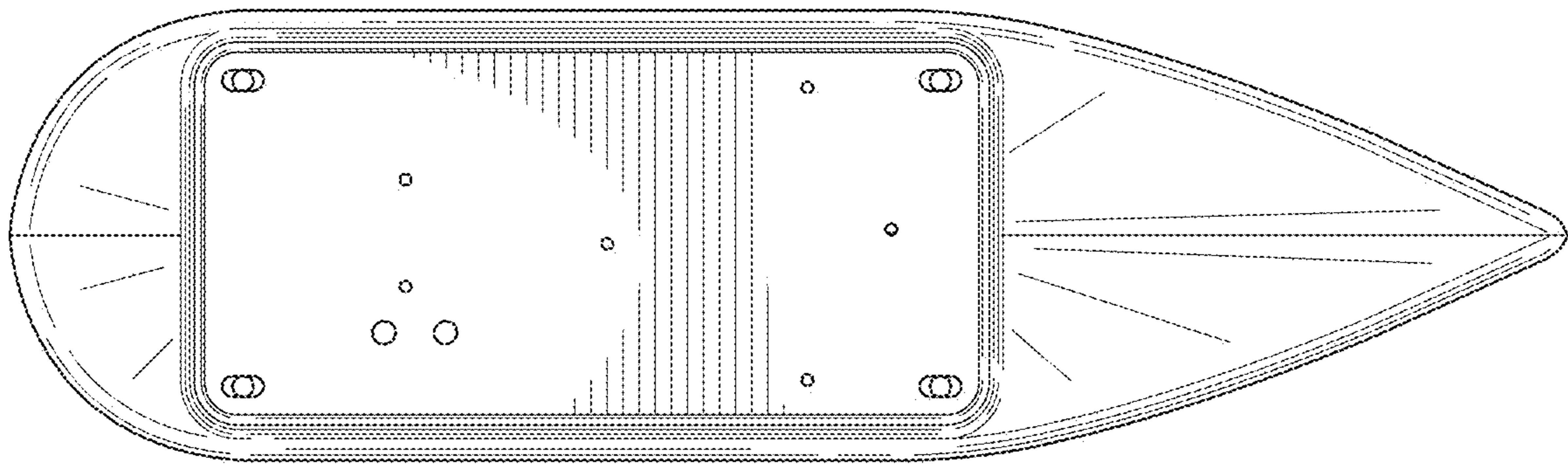


FIG. 6

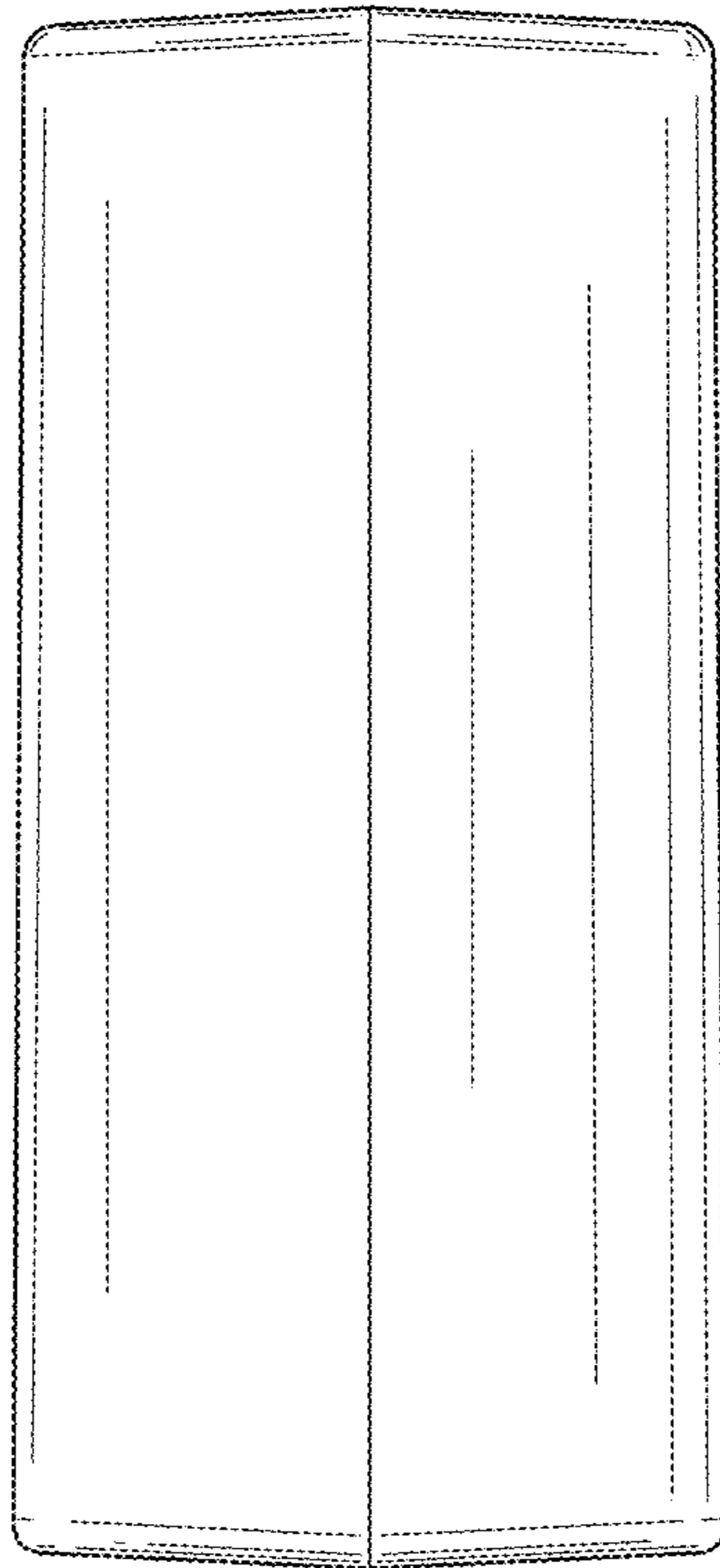


FIG. 7

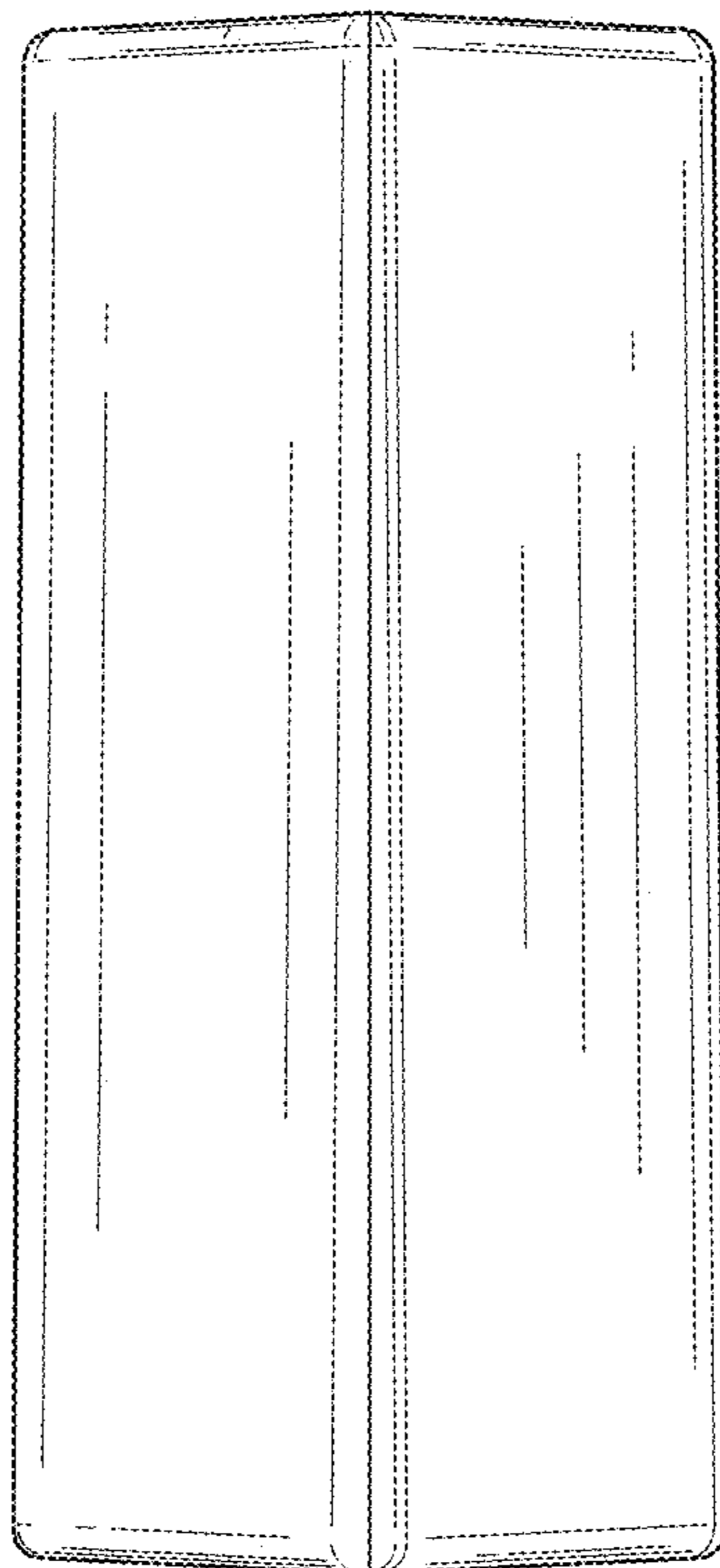


FIG. 8