



US00D924969S

(12) **United States Design Patent** (10) **Patent No.:** **US D924,969 S**
Thackery et al. (45) **Date of Patent:** **** Jul. 13, 2021**

- (54) **CAP FOR WRITING UTENSIL**
- (71) Applicant: **TECHTRONIC CORDLESS GP,**
Anderson, SC (US)
- (72) Inventors: **Clinton C. Thackery,** Clemson, SC
(US); **Drew A. Dahill,** Pendleton, SC
(US); **Jacob F. Creasman,** Anderson,
SC (US); **Patrick Gordon,** Greenville,
SC (US); **Logan T. Aldridge,**
Greenville, SC (US)
- (73) Assignee: **TECHTRONIC CORDLESS GP,**
Anderson, SC (US)
- (**) Term: **15 Years**
- (21) Appl. No.: **29/709,352**
- (22) Filed: **Oct. 14, 2019**
- (51) **LOC (13) Cl.** **19-06**
- (52) **U.S. Cl.**
USPC **D19/195**
- (58) **Field of Classification Search**
USPC D19/115-204; D14/411; D28/7, 77, 88,
D28/89
CPC . B43K 5/005; B43K 8/00; B43K 8/02; B43K
8/04; B43K 8/06; B43K 21/003; B43K
21/006; B43K 23/004
See application file for complete search history.

D497,640 S	10/2004	Qiu	
D504,151 S	4/2005	Furlong	
D505,158 S	5/2005	Tessier et al.	
6,945,726 B2	9/2005	Ichikawa et al.	
D521,559 S	5/2006	Piacenza	
D523,083 S	6/2006	Furlong et al.	
D547,375 S	7/2007	Gerules	
D558,827 S	1/2008	Feng et al.	
D562,391 S *	2/2008	Gerules	D19/174
D563,471 S	3/2008	Qiu et al.	
D579,049 S *	10/2008	Martin	D19/164
D580,495 S	11/2008	Gerules	
7,448,817 B2 *	11/2008	Lin	B43K 24/02 401/192

(Continued)

FOREIGN PATENT DOCUMENTS

CN	301049151	10/2009
CN	301606210 S	7/2011

(Continued)

Primary Examiner — Elizabeth A. Albert
(74) *Attorney, Agent, or Firm* — Michael Best & Friedrich LLP

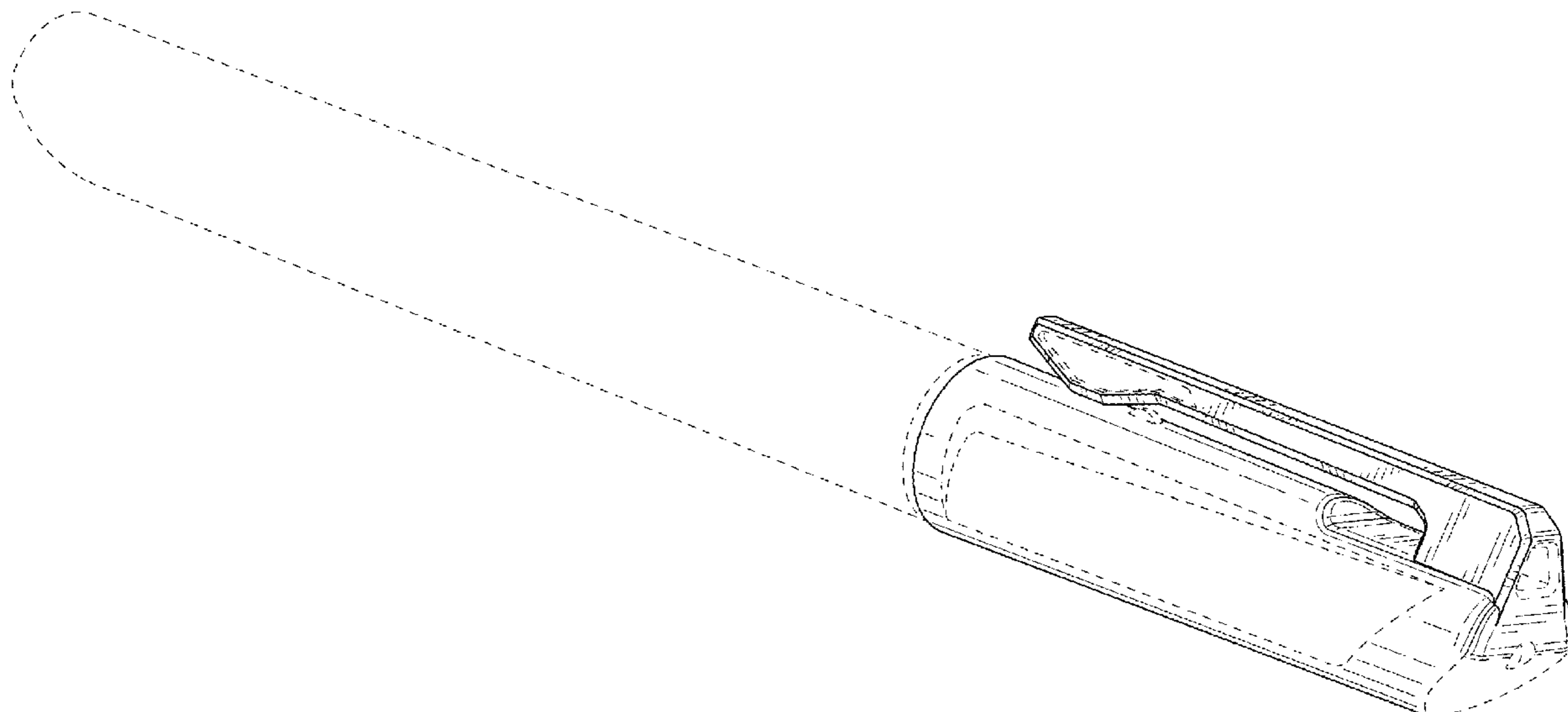
(57) **CLAIM**

We claim the ornamental design for a cap for writing utensil, as shown and described.

DESCRIPTION

FIG. 1 is a perspective view of a cap for writing utensil showing our new design.
FIG. 2 is a front view of FIG. 1.
FIG. 3 is a rear view of FIG. 1.
FIG. 4 is a first side view of FIG. 1.
FIG. 5 is a second side view of FIG. 1.
FIG. 6 is a top view of FIG. 1; and,
FIG. 7 is a bottom view of FIG. 1.
The broken lines are included to show portions of the cap for writing utensil that form no part of the claimed design.

1 Claim, 4 Drawing Sheets



(56)

References Cited

U.S. PATENT DOCUMENTS

D585,938 S 2/2009 Feng et al.
 D626,994 S 11/2010 Gerules
 D628,636 S * 12/2010 Wang D19/169
 7,942,598 B2 5/2011 Iwata
 D640,319 S 6/2011 Gerules
 D641,782 S 7/2011 Lira-Nunez et al.
 D641,785 S 7/2011 Lira-Nunez et al.
 D645,084 S 9/2011 Takashi
 D667,499 S 9/2012 Lira-Nunez et al.
 D667,500 S 9/2012 Shibata et al.
 D667,876 S 9/2012 Xi
 D681,731 S 5/2013 Yasunaga
 D685,846 S * 7/2013 Jiang D19/163
 D688,790 S * 8/2013 Guarraia D24/113
 D704,771 S 5/2014 Wang
 D724,668 S * 3/2015 Bo D19/170
 9,403,399 B2 * 8/2016 Steele B43K 29/00
 D767,034 S * 9/2016 Zhang D19/173
 D776,760 S * 1/2017 Simon D19/167
 D792,926 S * 7/2017 Hyma D19/195
 D813,309 S 3/2018 Van Den Broecke et al.
 D825,662 S 8/2018 Van Den Broecke et al.
 D831,112 S 10/2018 Copier et al.
 D831,113 S 10/2018 Copier et al.
 D831,744 S 10/2018 Copier et al.
 10,105,983 B2 * 10/2018 Steele B43K 23/126
 D835,190 S 12/2018 Silva Rubio et al.

D837,885 S 1/2019 Jacobson et al.
 D841,092 S 2/2019 Houston
 D911,442 S * 2/2021 You D19/169
 2016/0266665 A1 9/2016 Tschang

FOREIGN PATENT DOCUMENTS

CN 302902650 S 8/2014
 CN 303288878 S 7/2015
 CN 206623575 U 11/2017
 CN 304858361 S 10/2018
 CN 304887998 S 11/2018
 CN 304908943 S 11/2018
 CN 306150297 * 11/2020
 DE 402014001931-0021 8/2015
 DE 402014001931-0022 8/2015
 DE 402014001931-0026 8/2015
 DE 402014001931-0030 8/2015
 EM 000190624-0001 10/2004
 EM 000138235-0004 1/2005
 EM 000379664-0001 6/2005
 EM 000257936-0001 8/2005
 EM 0001599317-0003 3/2012
 EM 007667209-0003 * 3/2020
 FR 006228-001 10/2000
 WO DM043456-1 5/1998
 WO DM043456-2 5/1998
 WO DM043456-7 5/1998

* cited by examiner

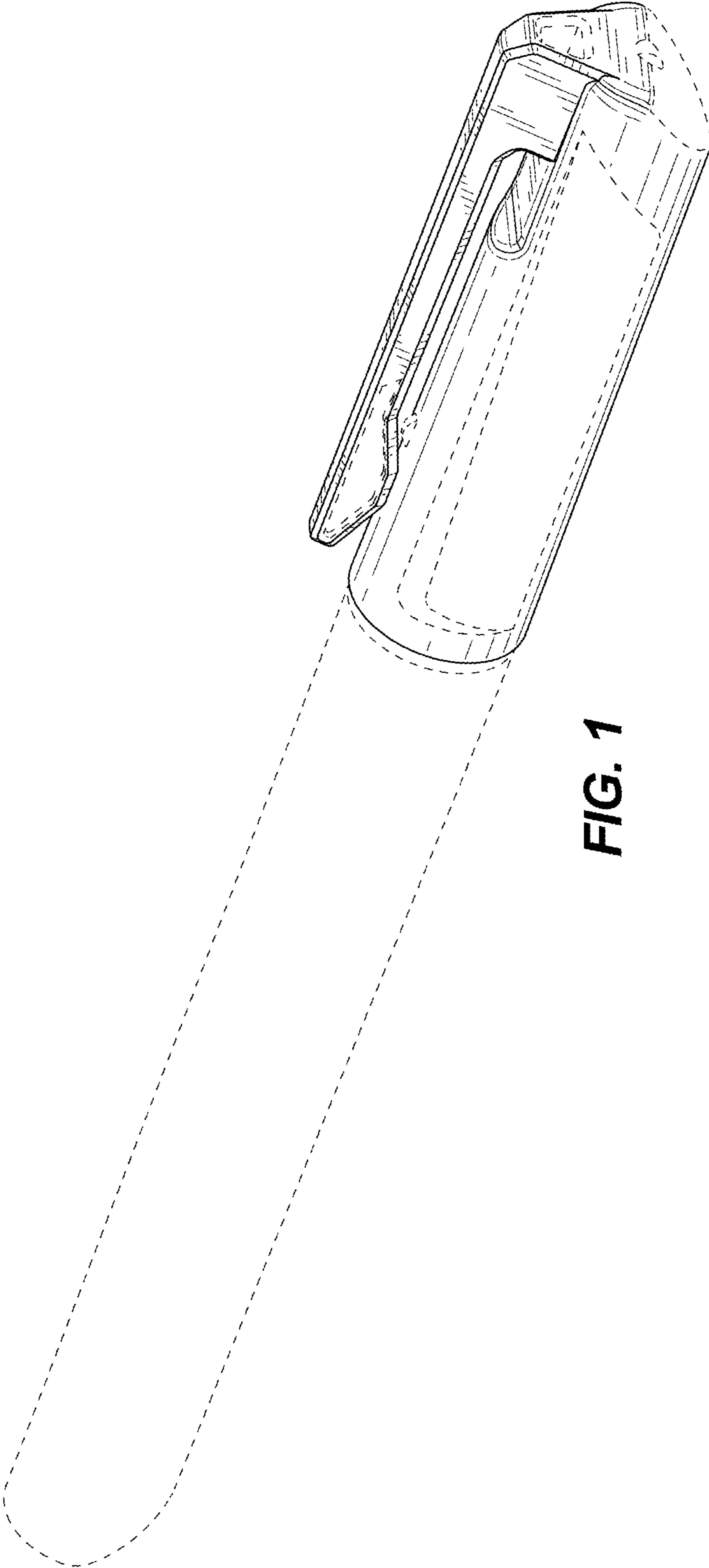


FIG. 1

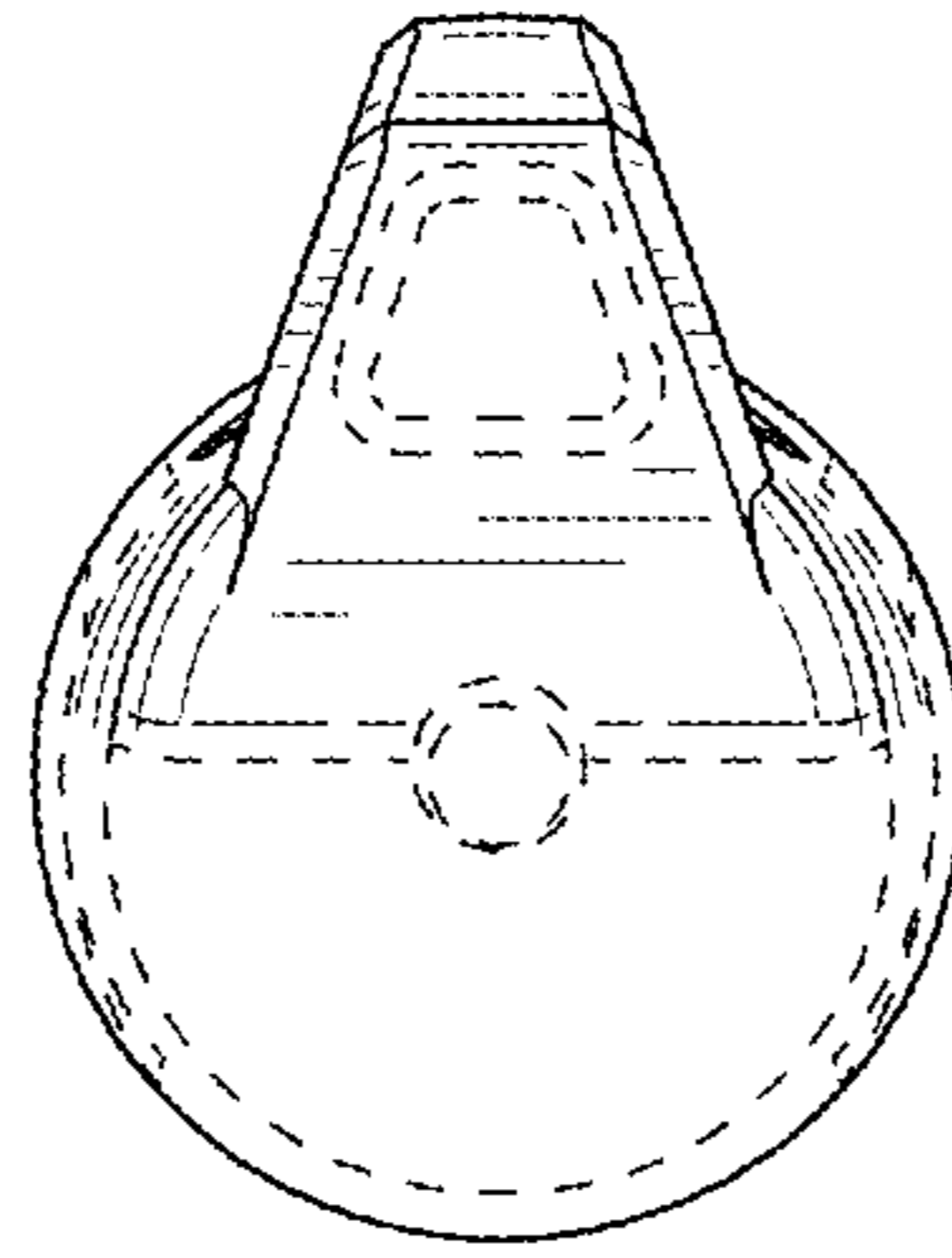


FIG. 2

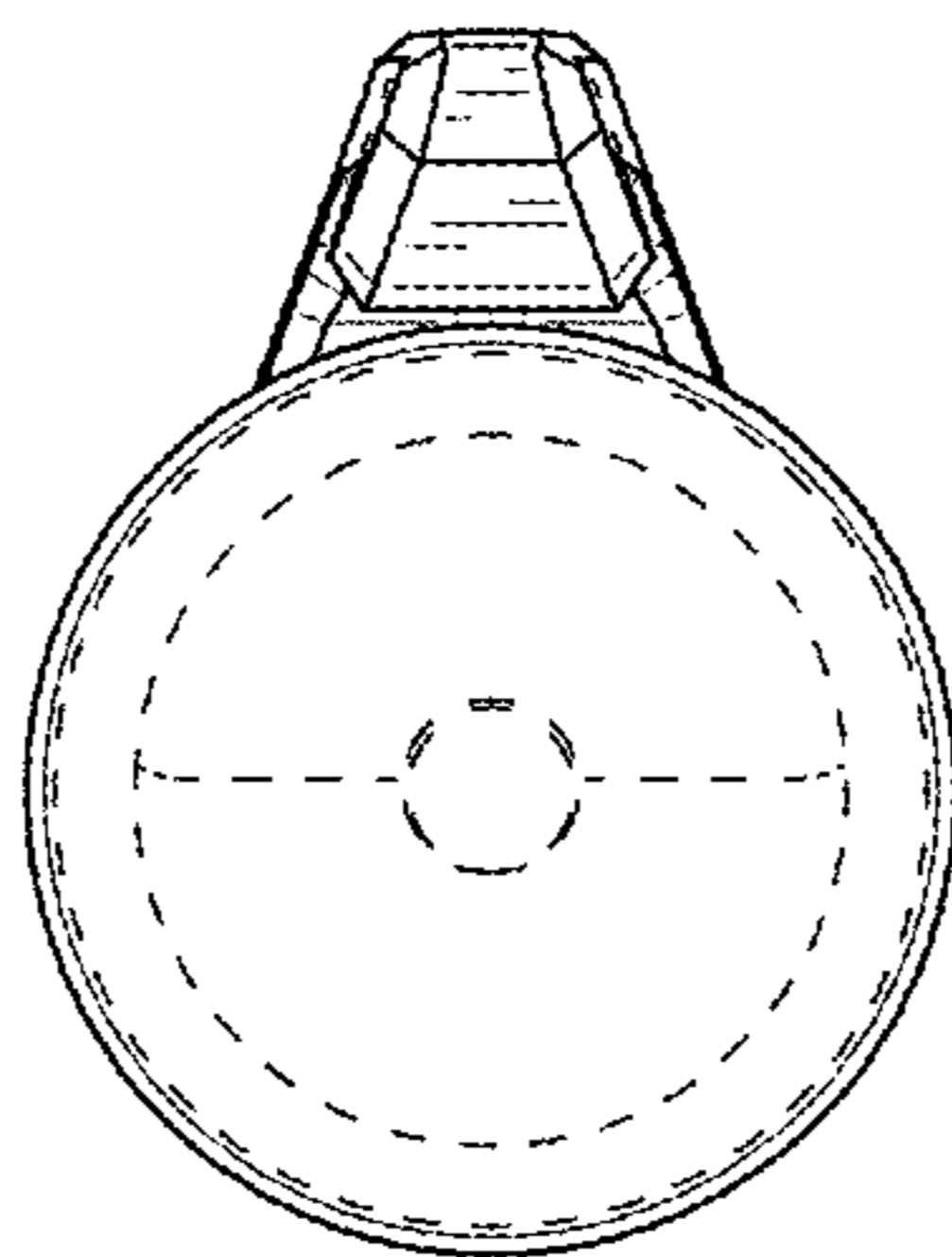


FIG. 3

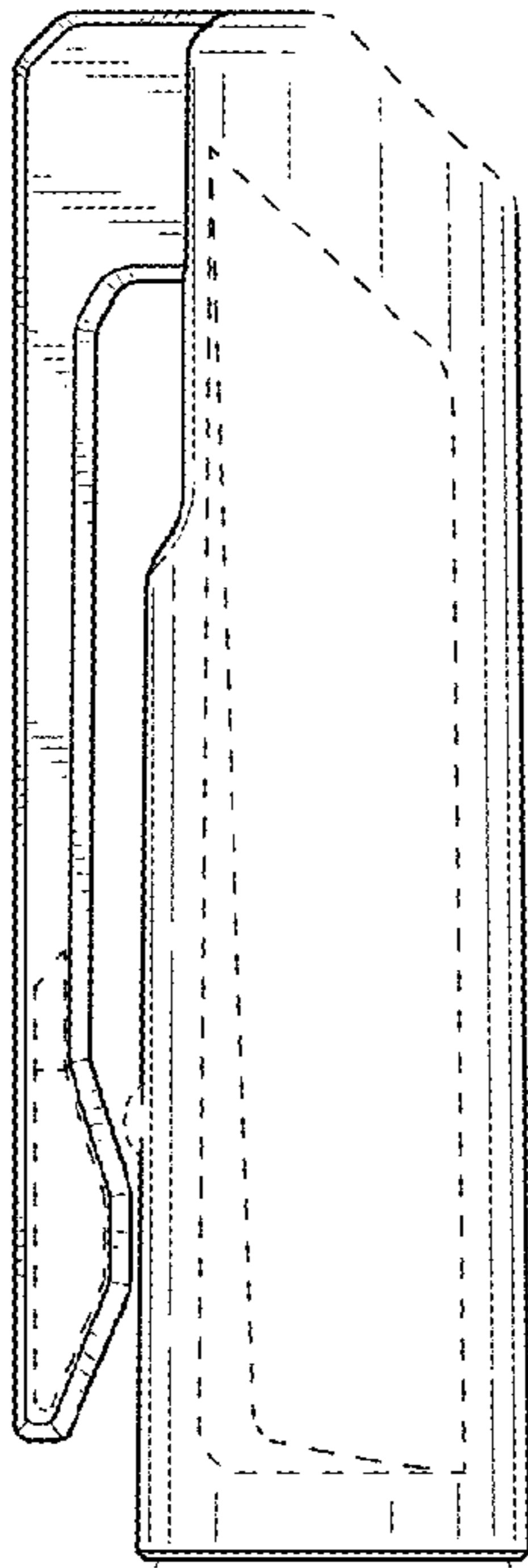


FIG. 4

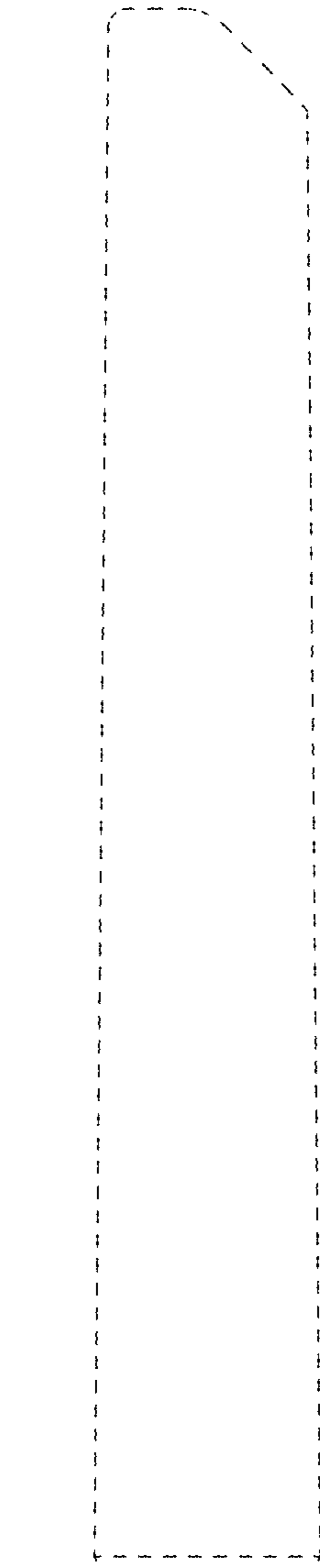
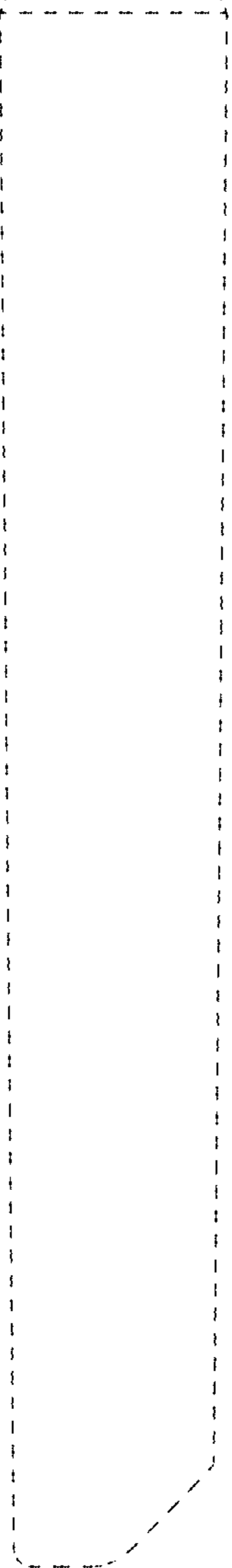
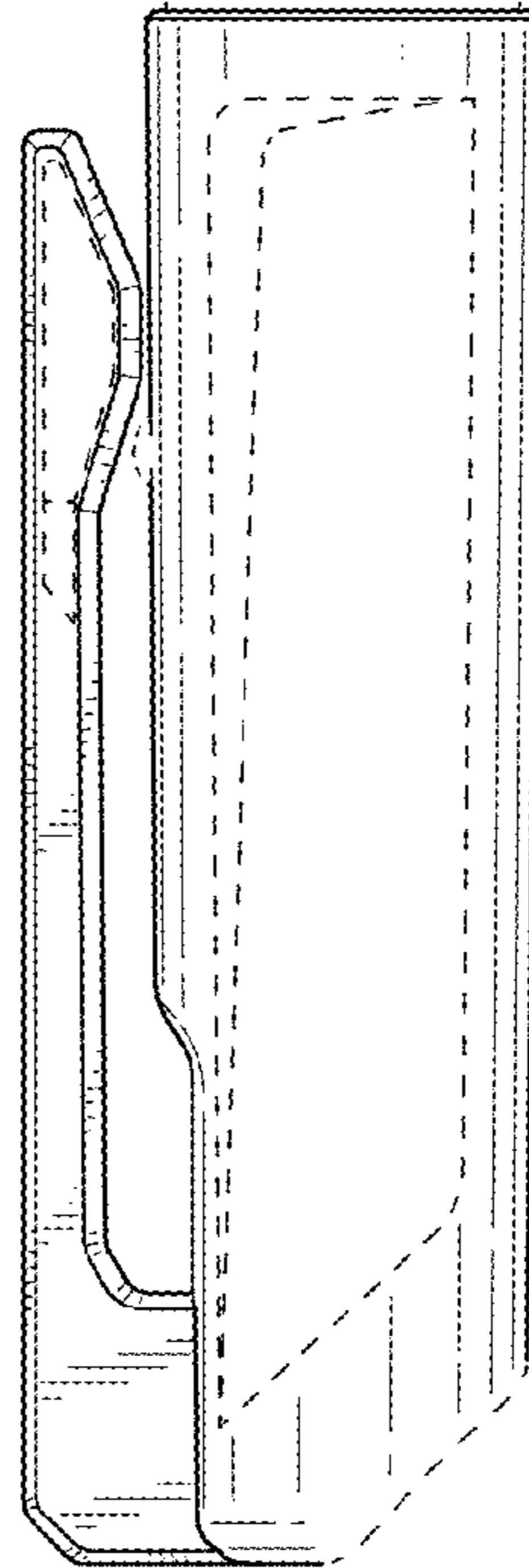


FIG. 5



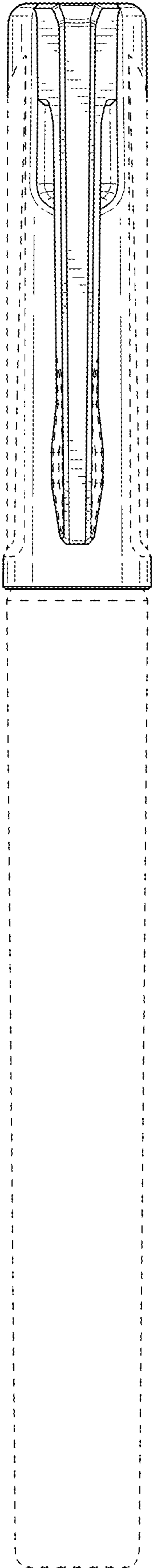


FIG. 6

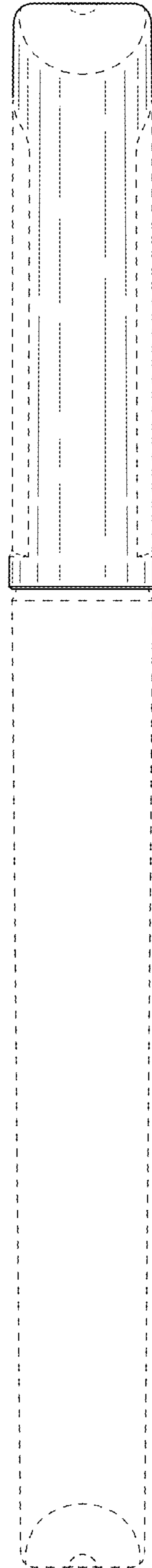


FIG. 7