



US00D924968S

(12) **United States Design Patent** (10) **Patent No.:** **US D924,968 S**
Longo (45) **Date of Patent:** **** Jul. 13, 2021**

(54) **PRINTING MACHINE**
(71) Applicant: **Bobst Lyon**, Villeurbanne (FR)
(72) Inventor: **Antonio Longo**, Prilly (CH)
(**) Term: **15 Years**
(21) Appl. No.: **35/509,405**
(22) Filed: **Apr. 28, 2020**

(80) **Hague Agreement Data**

Int. Filing Date: **Apr. 28, 2020**
Int. Reg. No.: **DM/208141**
Int. Reg. Date: **Apr. 28, 2020**
Int. Reg. Pub. Date: **May 22, 2020**

(51) **LOC (13) Cl.** **18-02**
(52) **U.S. Cl.**
USPC **D18/53**
(58) **Field of Classification Search**
USPC D18/53, 56
CPC G06K 15/12; G06K 15/14
See application file for complete search history.

(56) **References Cited**

U.S. PATENT DOCUMENTS

D252,933 S * 9/1979 Schott D18/53
D321,000 S * 10/1991 Kitamura D18/53
D323,844 S * 2/1992 Kitamura D18/53
D324,537 S * 3/1992 Maehara D18/53
D332,464 S * 1/1993 Doi D18/53
D332,797 S * 1/1993 Shinmoto D18/53
D341,155 S * 11/1993 Fujii D18/53
D350,561 S * 9/1994 Hiraishi D18/53
D351,188 S * 10/1994 Hiraishi D18/53

D353,396 S * 12/1994 Hiraishi D18/53
D353,618 S * 12/1994 Hiraishi D18/53
D353,833 S * 12/1994 Karafuji D18/53
D357,499 S * 4/1995 Karafuji D18/53
D357,934 S * 5/1995 Karafuji D18/53
D363,735 S * 10/1995 Karafuji D18/53
D378,831 S * 4/1997 Karafuji D18/53
D405,108 S * 2/1999 Karafuji D18/53
D412,525 S * 8/1999 Tachibana D18/53
D416,283 S * 11/1999 Yamashita D18/53
D459,390 S * 6/2002 Teodorescu D18/53
D460,981 S * 7/2002 Tachibana D18/53
D605,221 S * 12/2009 Stenzel D18/53
D605,690 S * 12/2009 Stenzel D18/53
D624,959 S * 10/2010 Stenzel D18/53
D629,448 S * 12/2010 Bundschuh D18/56
D799,592 S * 10/2017 Longo D18/53
D823,385 S * 7/2018 Senshiki D18/53
D854,080 S * 7/2019 Senshiki D18/53
D889,536 S * 7/2020 Gro mann D18/53
D890,254 S * 7/2020 Aloni D18/53
D892,925 S * 8/2020 Schwank D18/53

* cited by examiner

Primary Examiner — George D. Kirschbaum

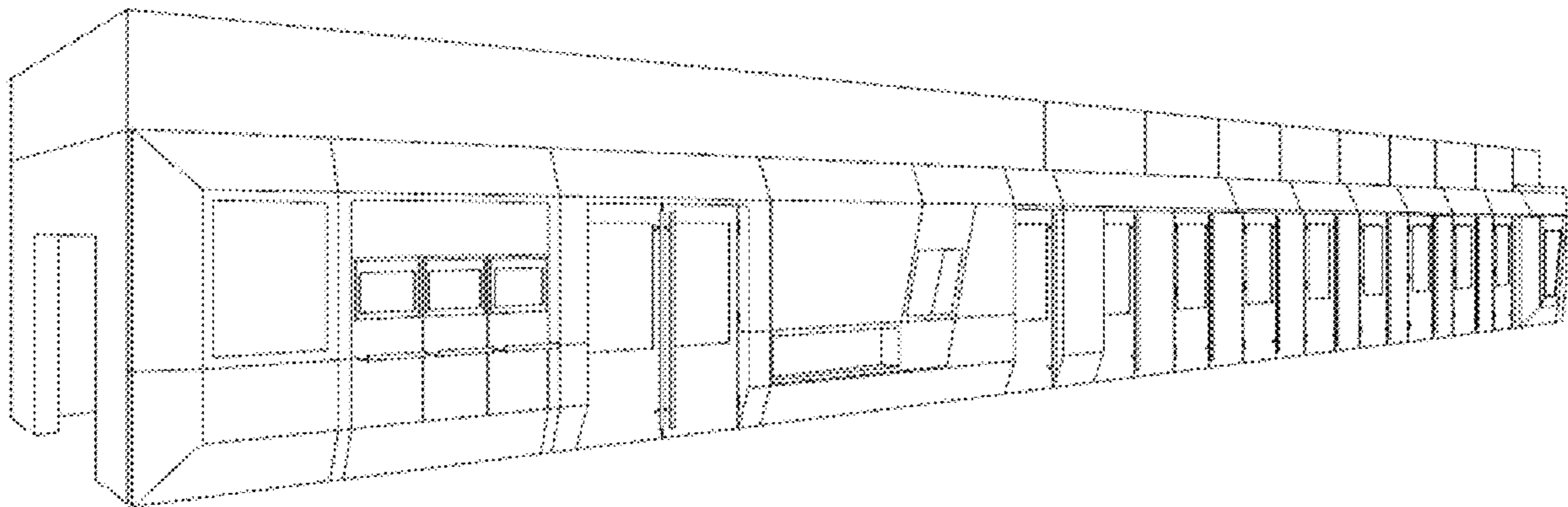
(57) **CLAIM**

The ornamental design for a printing machine, as shown and described.

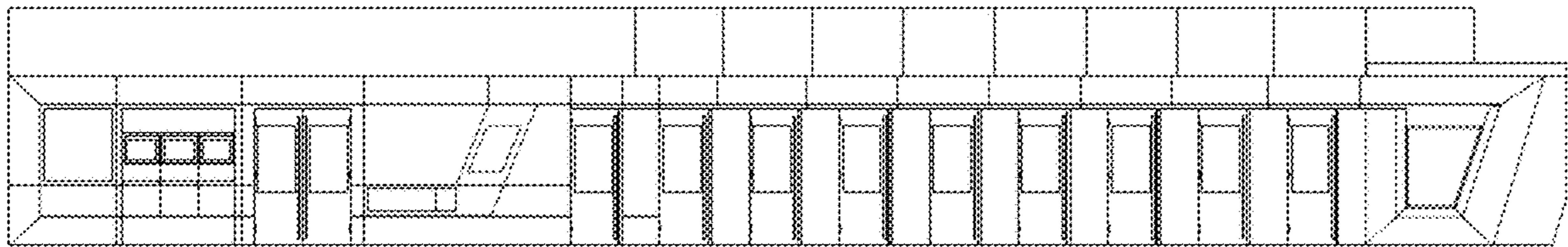
DESCRIPTION

- 1. Printing machine
- 1.1 is a front view.
- 1.2 is a left side view.
- 1.3 is a right side view.
- 1.4 is a right front perspective view.
- 1.5 is a left front perspective view.

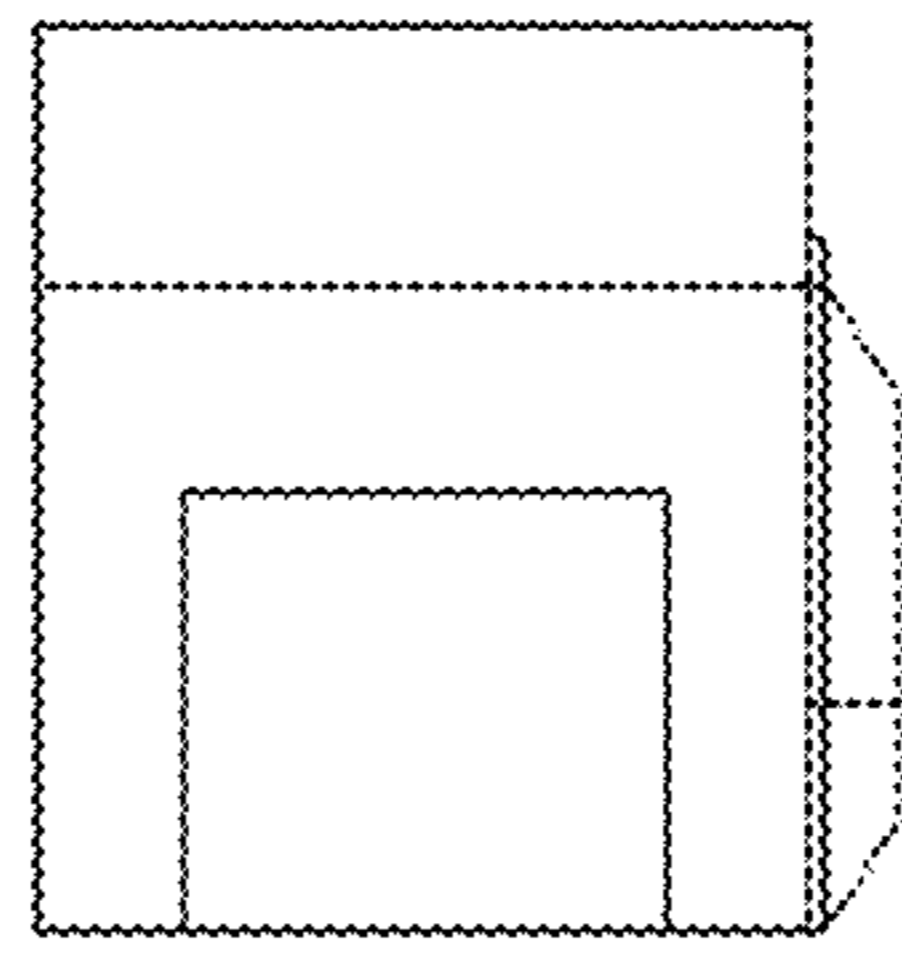
1 Claim, 5 Drawing Sheets



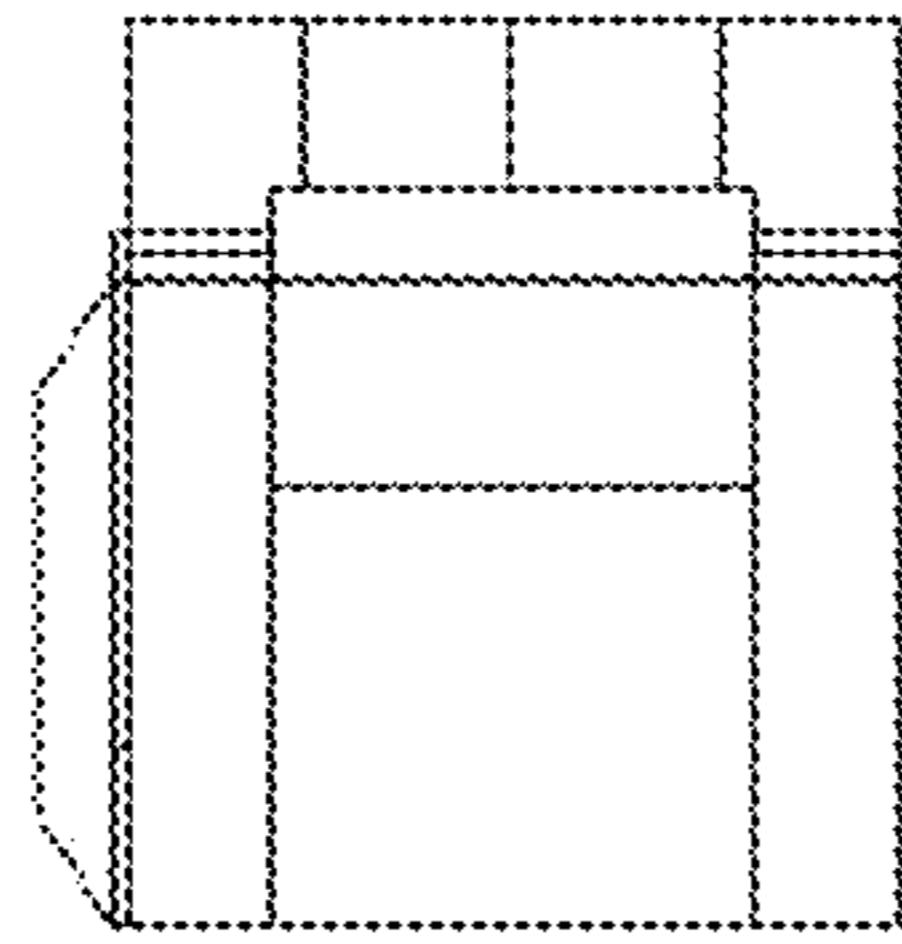
1.1



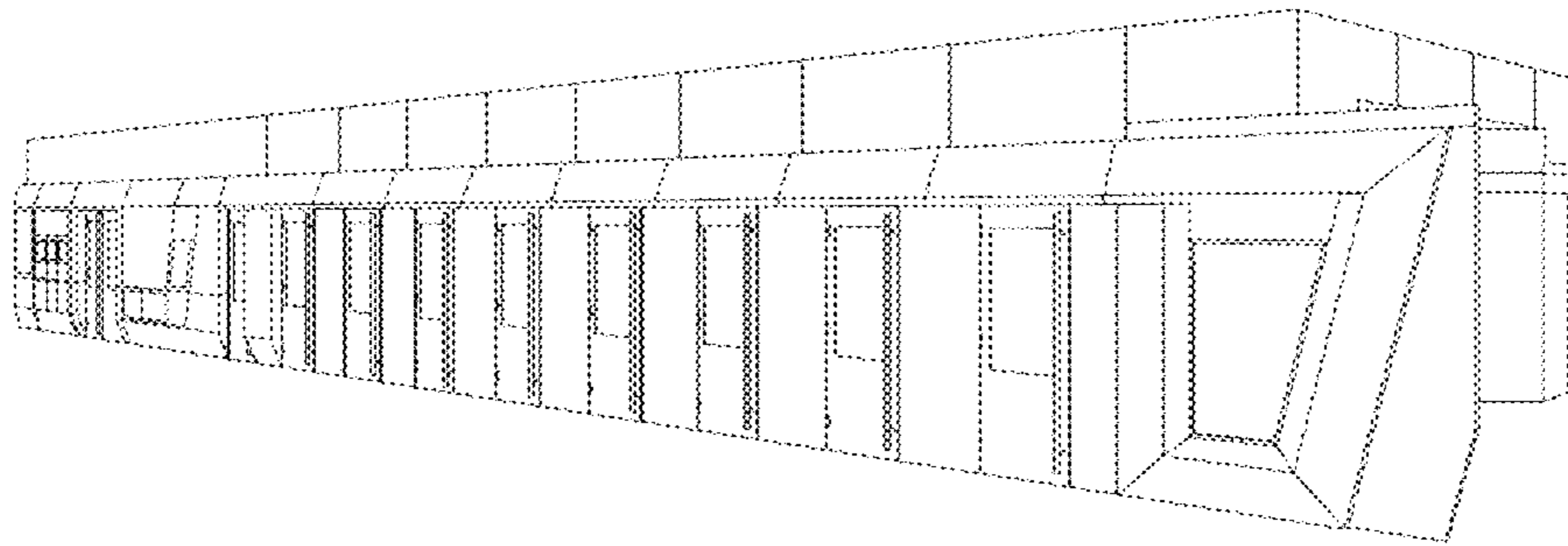
1.2



1.3



1.4



1.5

