



US00D924961S

(12) **United States Design Patent** (10) **Patent No.:** **US D924,961 S**
Xu et al. (45) **Date of Patent:** **** Jul. 13, 2021**

(54) **SOLAR MONITORING CAMERA**
(71) Applicant: **SHENZHEN RUIBOSI ELECTRONIC CO., LTD.**, Shenzhen (CN)
(72) Inventors: **Haifei Xu**, Shenzhen (CN); **Huiqiang Zhong**, Shenzhen (CN)

D818,026 S * 5/2018 Ravat D16/203
D824,446 S * 7/2018 Ravat D16/203
D824,447 S * 7/2018 Li D16/203
D825,638 S * 8/2018 Holbrook D16/203
D863,399 S * 10/2019 Li D16/203
D873,885 S 1/2020 Rusz et al.
D901,571 S * 11/2020 Liu D16/203
2013/0286280 A1 * 10/2013 Siann H01L 31/0504
348/372

(**) Term: **15 Years**

OTHER PUBLICATIONS

(21) Appl. No.: **29/741,395**
(22) Filed: **Jul. 13, 2020**
(51) **LOC (13) Cl.** **16-01**
(52) **U.S. Cl.**
USPC **D16/203**
(58) **Field of Classification Search**
USPC D16/200, 202–206, 218, 219, 242;
348/143, 148, 151, 373–376; 396/419,
396/427, 535, 539–541
CPC G03B 17/02; G03B 19/04; G03B 17/56;
G03B 17/04; G03B 15/03; H04N 5/2251;
H04N 5/2252; H04N 5/2253; H04N
5/2254; H04N 7/181; H04N 7/183; H04N
7/18; G08B 13/1963; G08B 13/19619;
G08B 13/19632; F16M 11/04; F16M
13/00
See application file for complete search history.

Outdoor PTZ Solar Security Camera 1080P Waterproof Wireless Dome Camera., announced Jun. 8, 2020, Amazon.com, [online], [site visited Jan. 15, 2021], Available from Internet URL:<<https://www.amazon.com/%E3%80%90Upgraded%E3%80%91Outdoor-Security-Waterproof-Wireless-Detection/dp/B089VRCFTD>> (Year: 2020).*

* cited by examiner

Primary Examiner — Ramzi Almatrahi

(56) **References Cited**

U.S. PATENT DOCUMENTS

D424,087 S * 5/2000 Frick 396/427
D461,485 S * 8/2002 Jones 396/427
7,306,383 B2 * 12/2007 Jones G08B 13/19619
348/373
D651,068 S * 12/2011 Kang D8/363
D701,258 S * 3/2014 Huang D16/203
D734,379 S * 7/2015 Tankersley D16/203

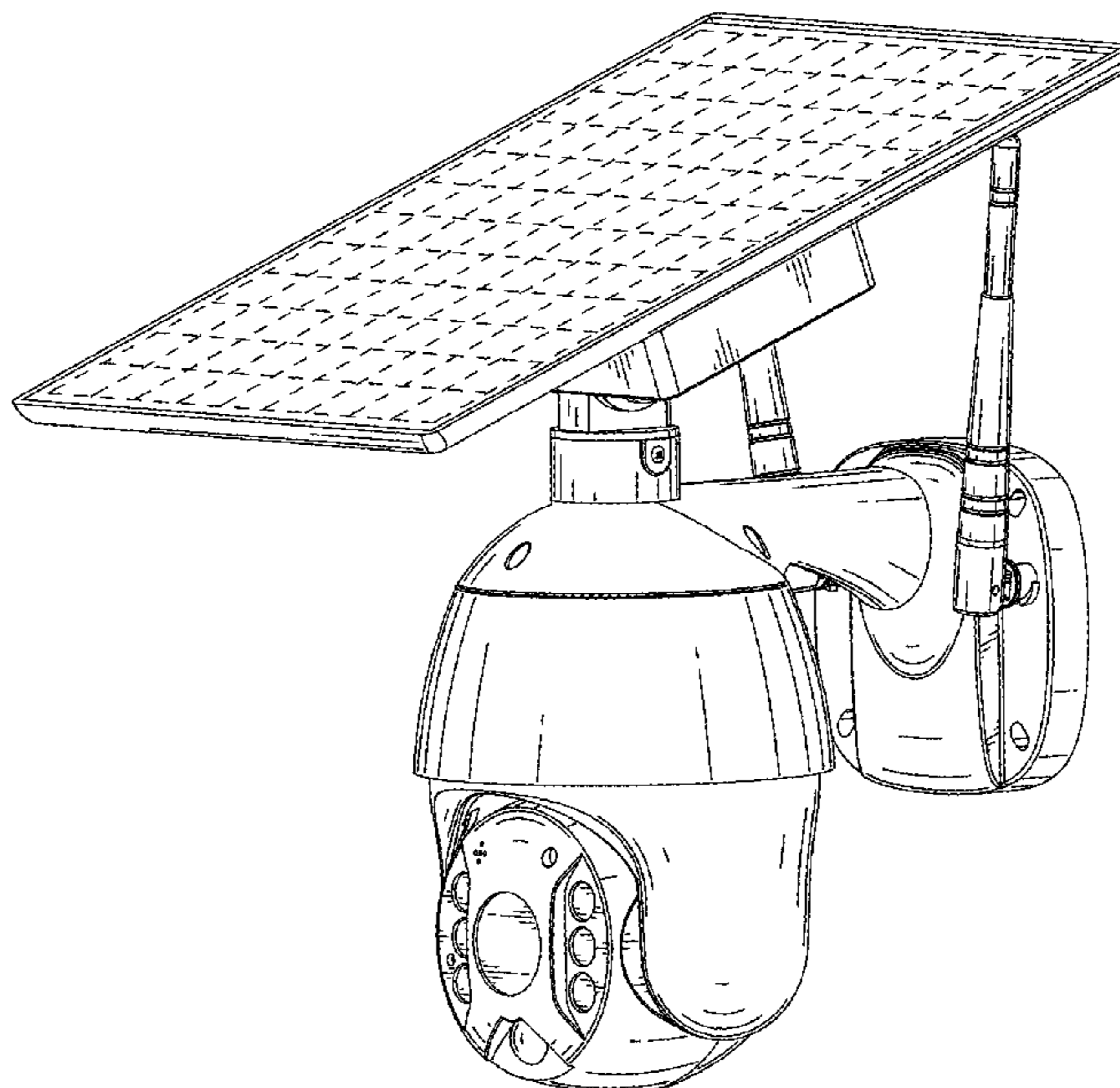
(57) **CLAIM**

The ornamental design for a solar monitoring camera, as shown and described.

DESCRIPTION

FIG. 1 is a front and right side perspective view of a solar monitoring camera showing our new design; FIG. 2 is a front elevational view thereof; FIG. 3 is a rear elevational view thereof; FIG. 4 is a left side elevational view thereof; FIG. 5 is a right side elevational view thereof; FIG. 6 is a top plan view thereof; and, FIG. 7 is a bottom plan view thereof. The broken lines in the drawing depict portions of the solar monitoring camera that form no part of the claimed design.

1 Claim, 7 Drawing Sheets



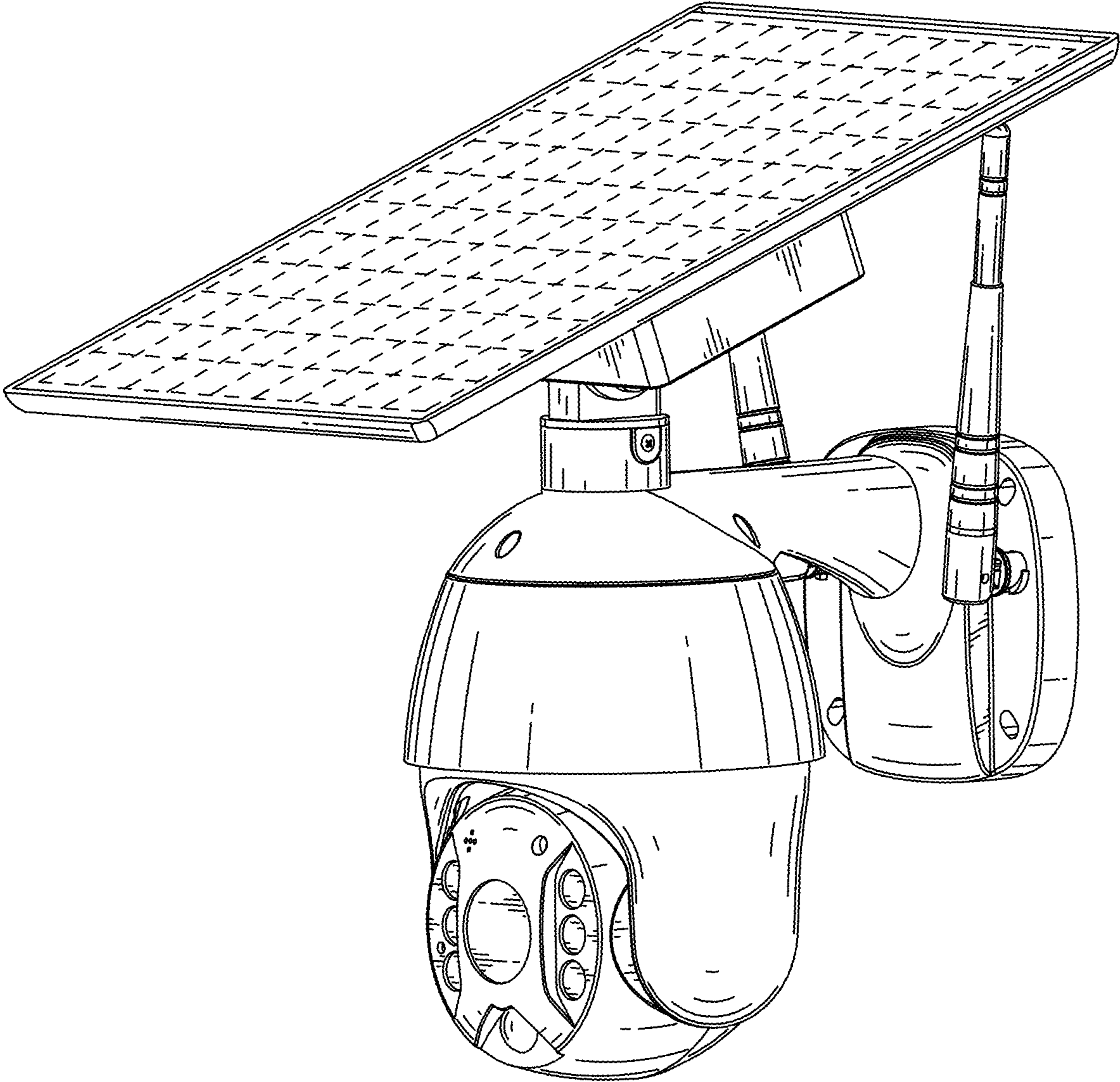


FIG. 1

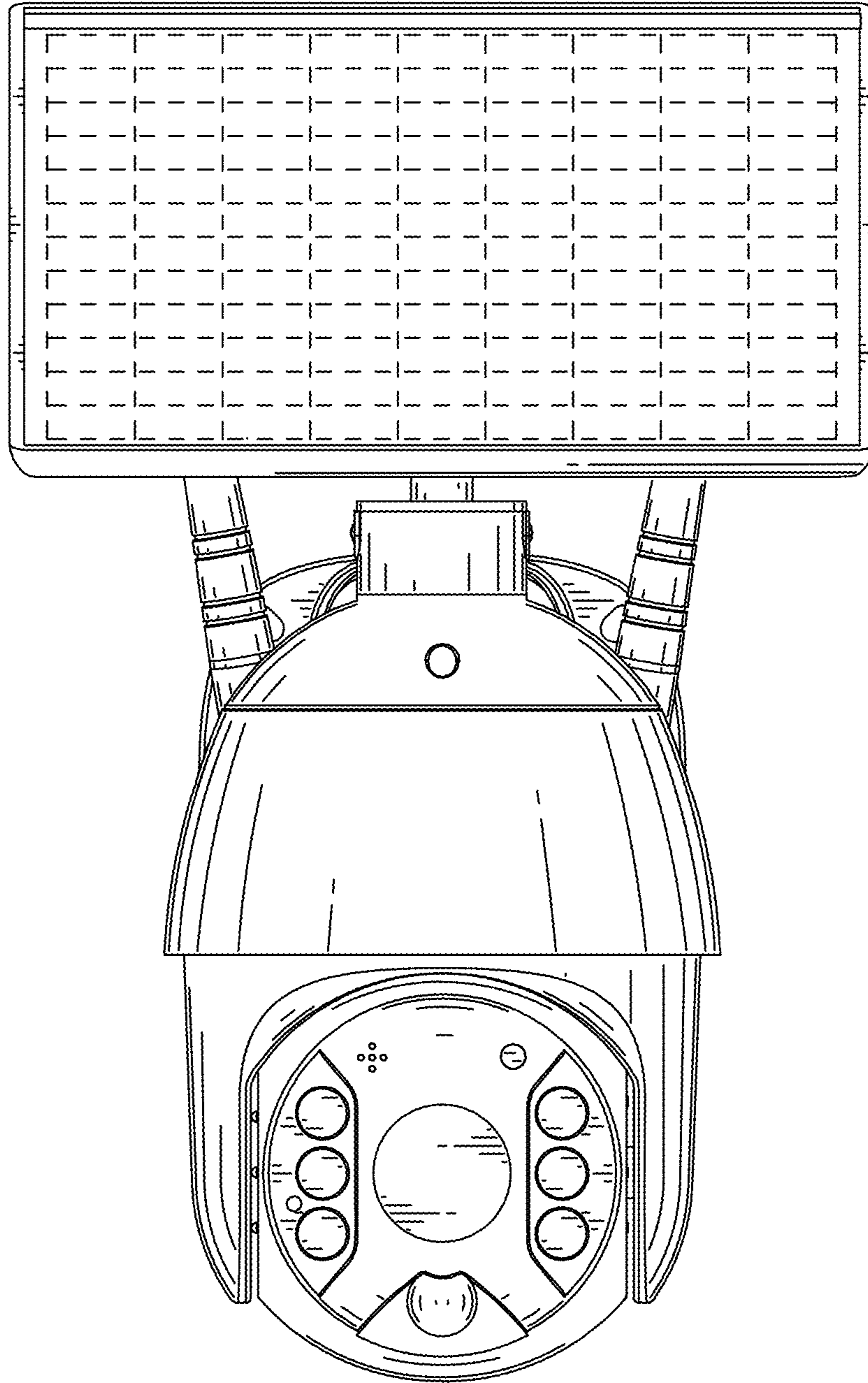


FIG. 2

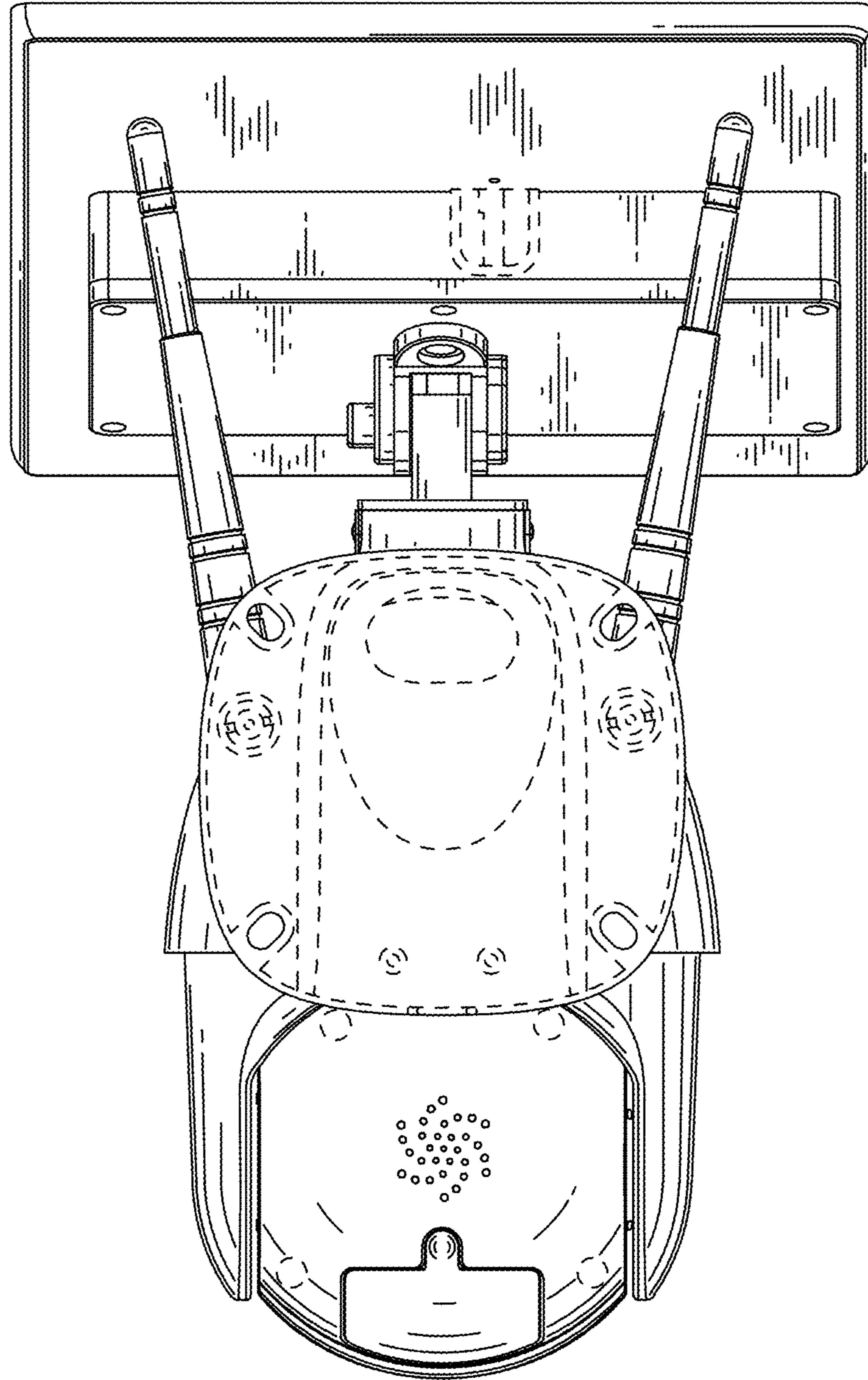


FIG. 3

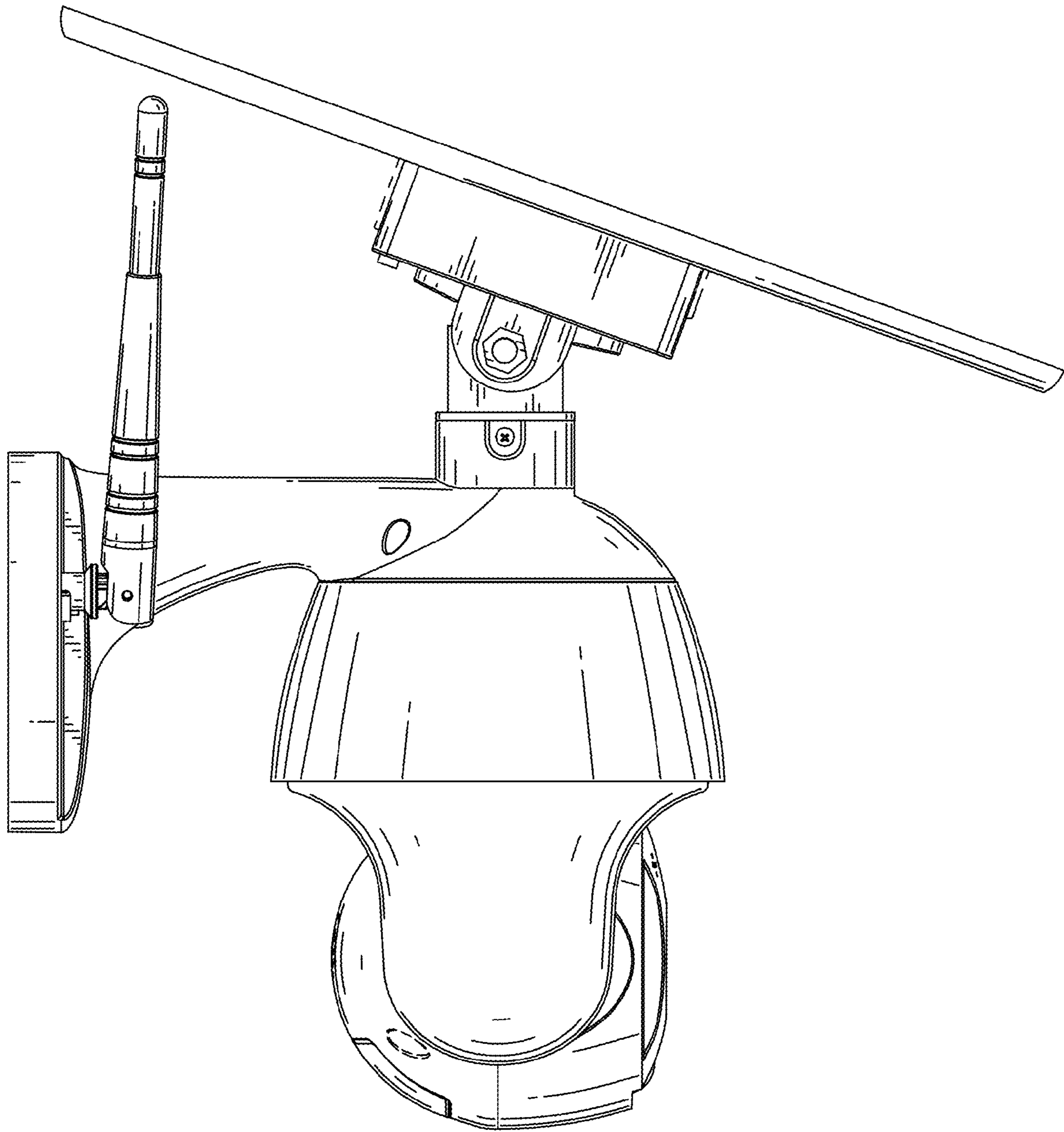


FIG. 4

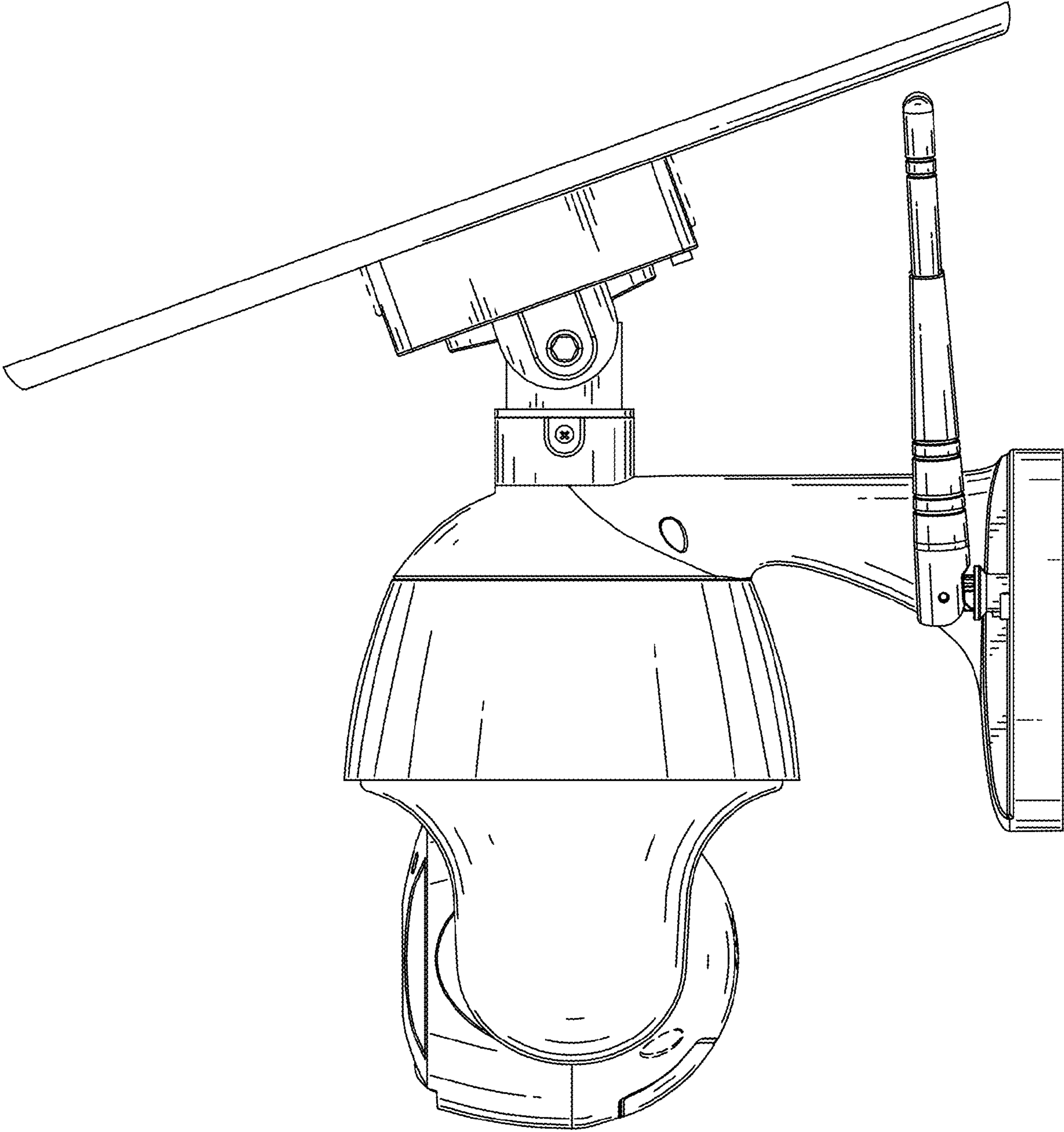


FIG. 5

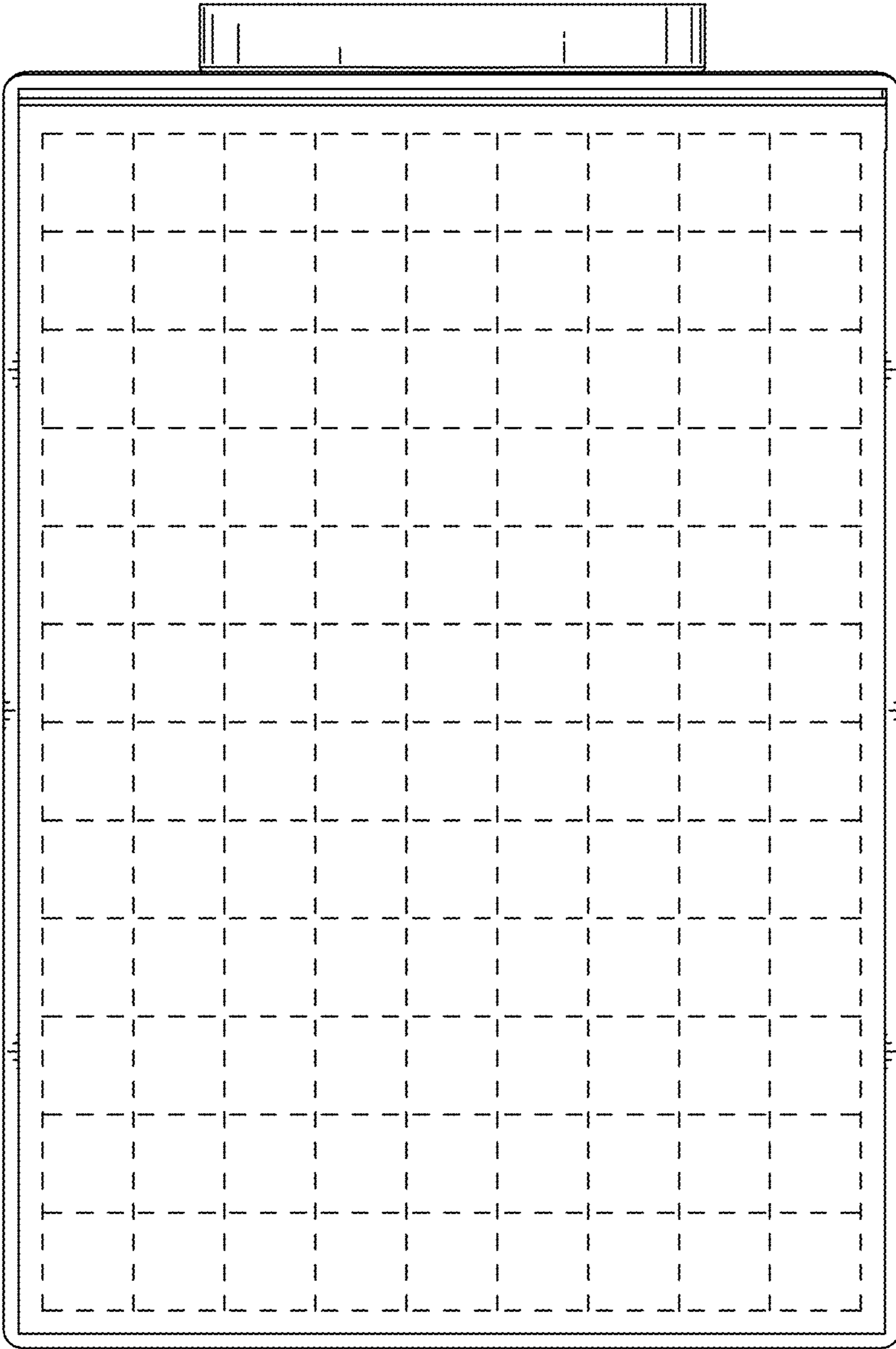


FIG. 6

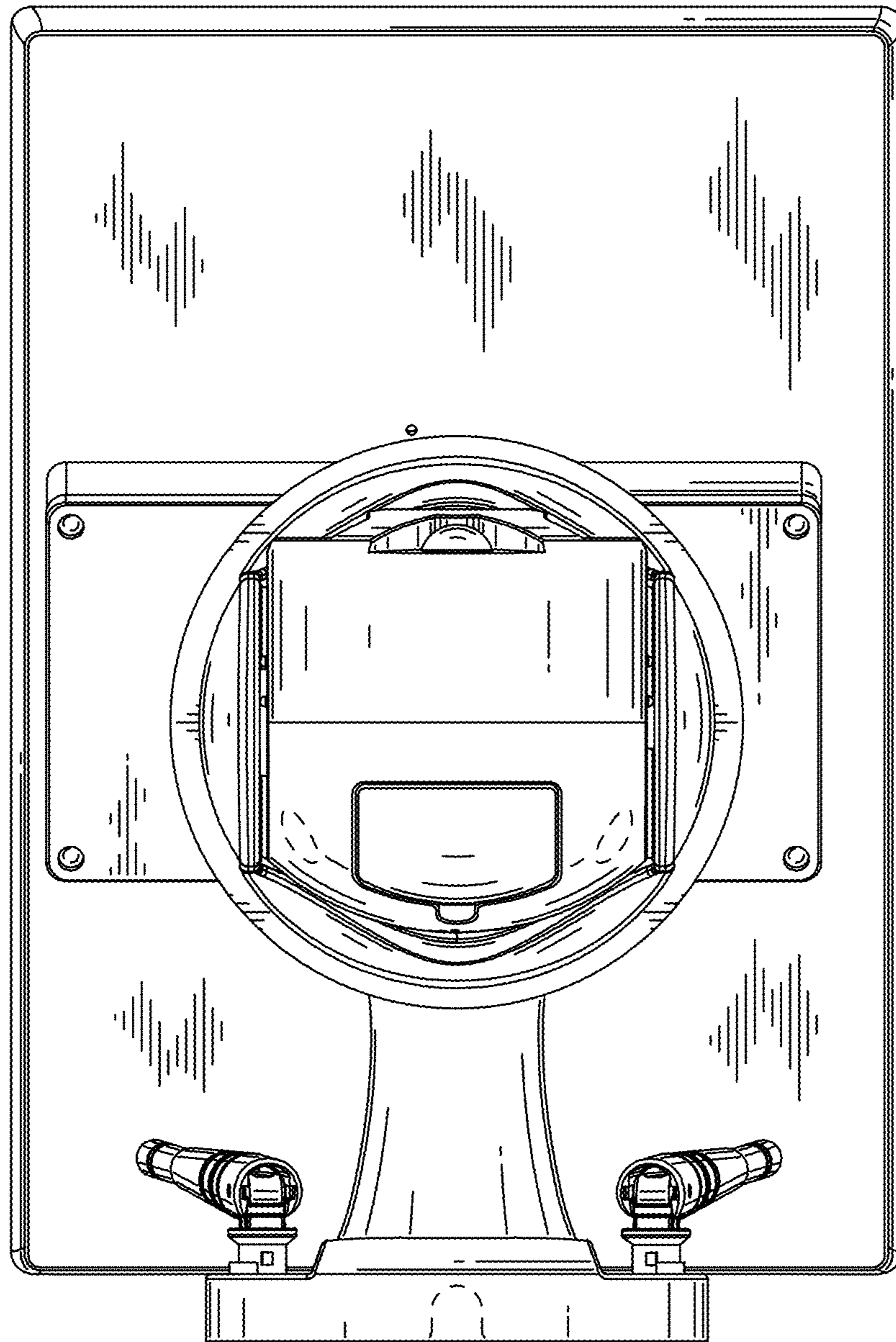


FIG. 7