



US00D924960S

(12) **United States Design Patent**
Yuan

(10) **Patent No.:** **US D924,960 S**

(45) **Date of Patent:** **** Jul. 13, 2021**

(54) **CAMERA**

(71) Applicant: **Qili Yuan**, Shenzhen (CN)

(72) Inventor: **Qili Yuan**, Shenzhen (CN)

(**) Term: **15 Years**

(21) Appl. No.: **29/765,256**

(22) Filed: **Jan. 7, 2021**

(51) **LOC (13) Cl.** **16-01**

(52) **U.S. Cl.**
USPC **D16/202**

(58) **Field of Classification Search**
USPC D16/200, 202–206, 208, 218, 219;
D21/514; 348/373–376; 396/535,
396/539–541
CPC G03B 15/03; G03B 17/02; G03B 17/04;
G03B 17/56; G03B 19/04; H04N 5/2251;
H04N 5/2252; H04N 5/2253; H04N
5/2254; H04N 2101/00
See application file for complete search history.

(56) **References Cited**

U.S. PATENT DOCUMENTS

D467,958 S	12/2002	Senda et al.	
D487,485 S *	3/2004	Niu	D21/514
D522,557 S *	6/2006	Chen	D16/202
D524,837 S *	7/2006	Chen	D16/202

D748,712 S	2/2016	Tompkin	
D822,748 S *	7/2018	Van Deusen	D16/218
D849,087 S *	5/2019	Li	D16/202
D865,835 S *	11/2019	Fidler	D16/202
D865,836 S *	11/2019	Puusaari	D16/202
D870,178 S *	12/2019	Gan	D16/202
D873,883 S *	1/2020	Lin	D16/202
D875,802 S *	2/2020	Jin	D16/202
D898,799 S *	10/2020	Minamide	D16/202
D910,105 S *	2/2021	Lin	D16/202
D914,783 S *	3/2021	Wu	D16/202

* cited by examiner

Primary Examiner — Ramzi Almatrahi

(57) **CLAIM**

The ornamental design for a camera, as shown and described.

DESCRIPTION

FIG. 1 is a perspective view of a camera showing my new design;

FIG. 2 is a front elevational view thereof;

FIG. 3 is a rear elevational view thereof;

FIG. 4 is a left side elevational view thereof;

FIG. 5 is a right side elevational view thereof;

FIG. 6 is a top plan view thereof; and,

FIG. 7 is a bottom plan view thereof.

The broken lines and the faded areas within the broken lines depict portions of the camera in which the design is embodied that form no part of the claimed design.

1 Claim, 7 Drawing Sheets

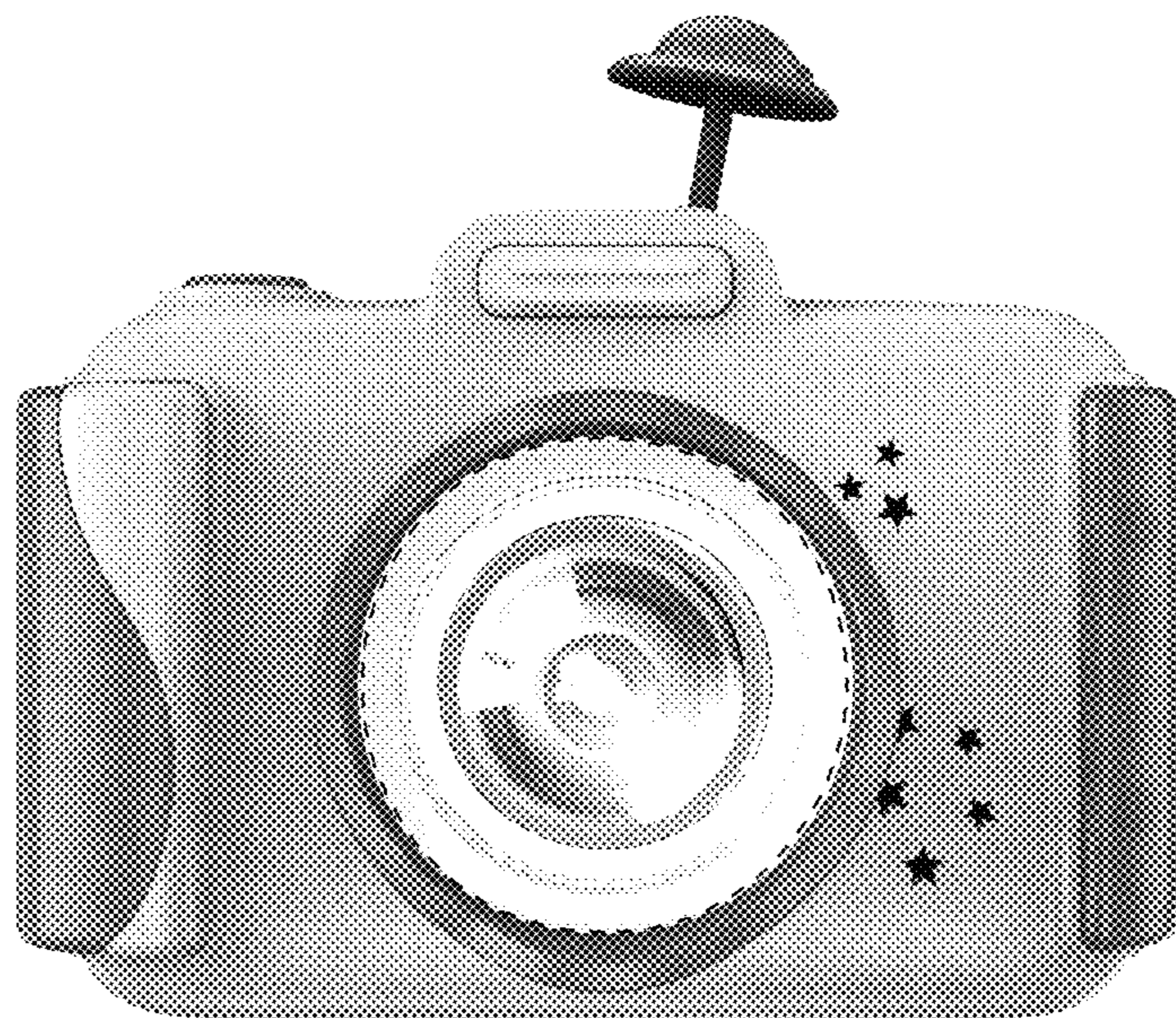
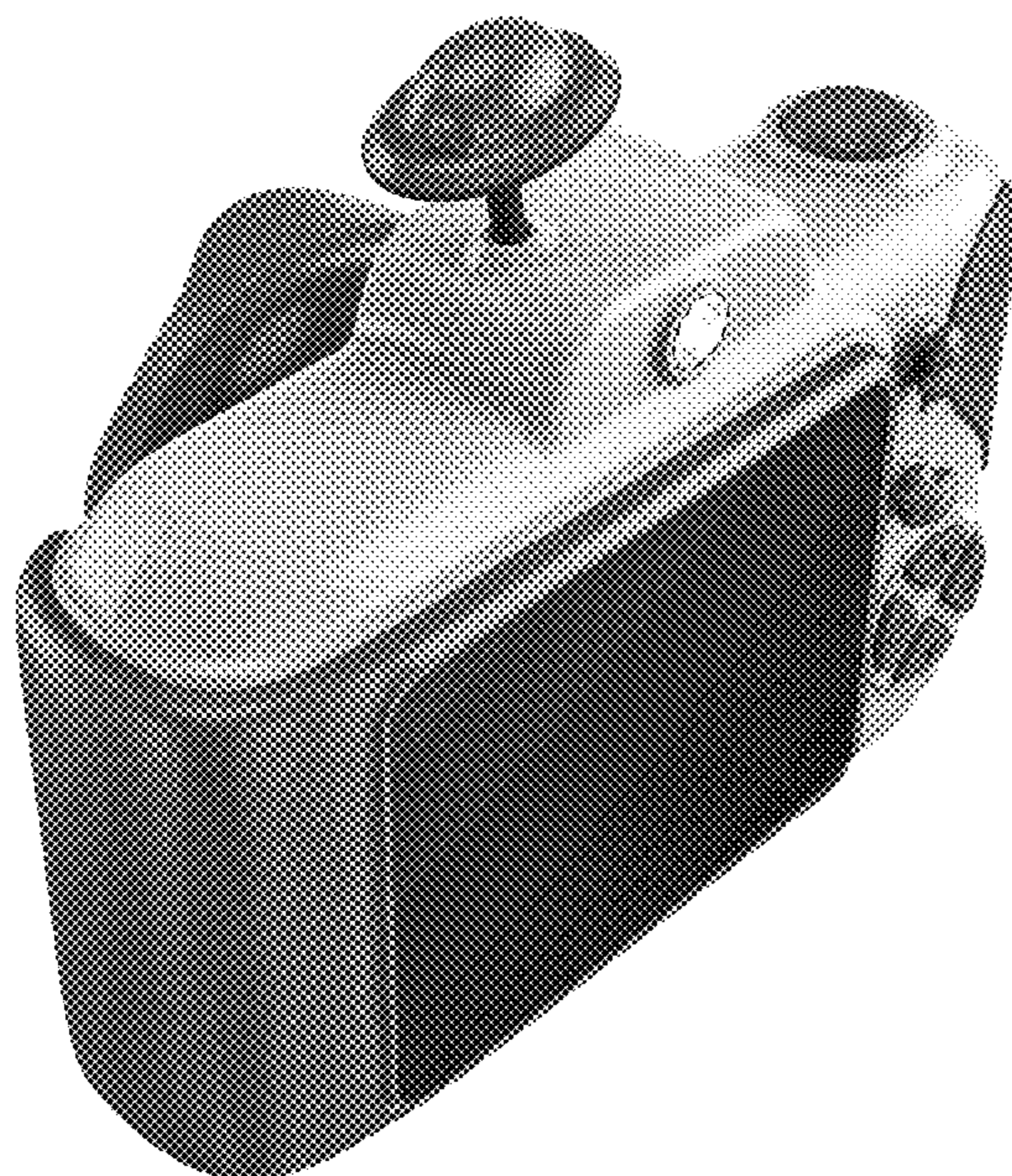




FIG. 1



FIG. 2



FIG. 3

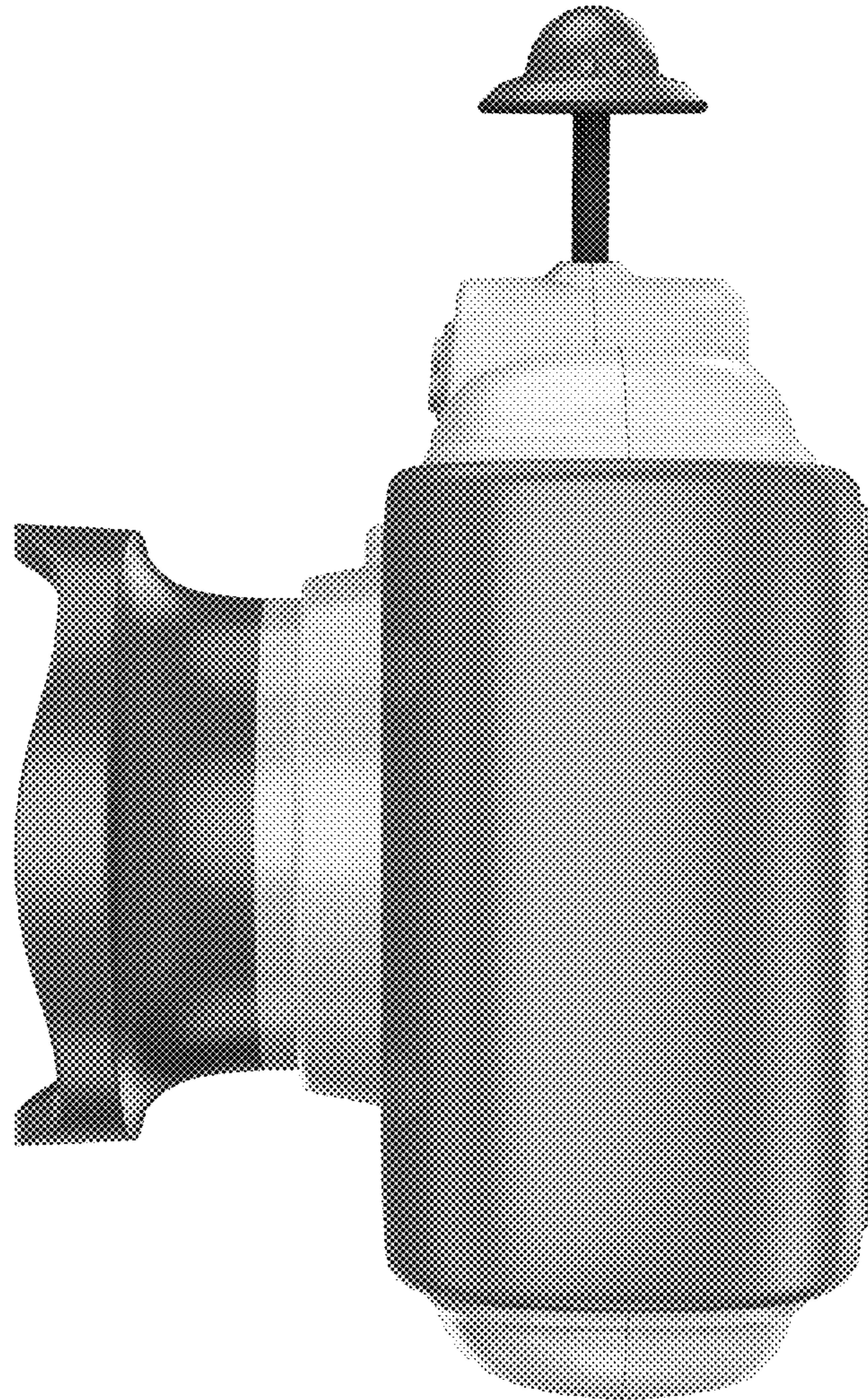


FIG. 4

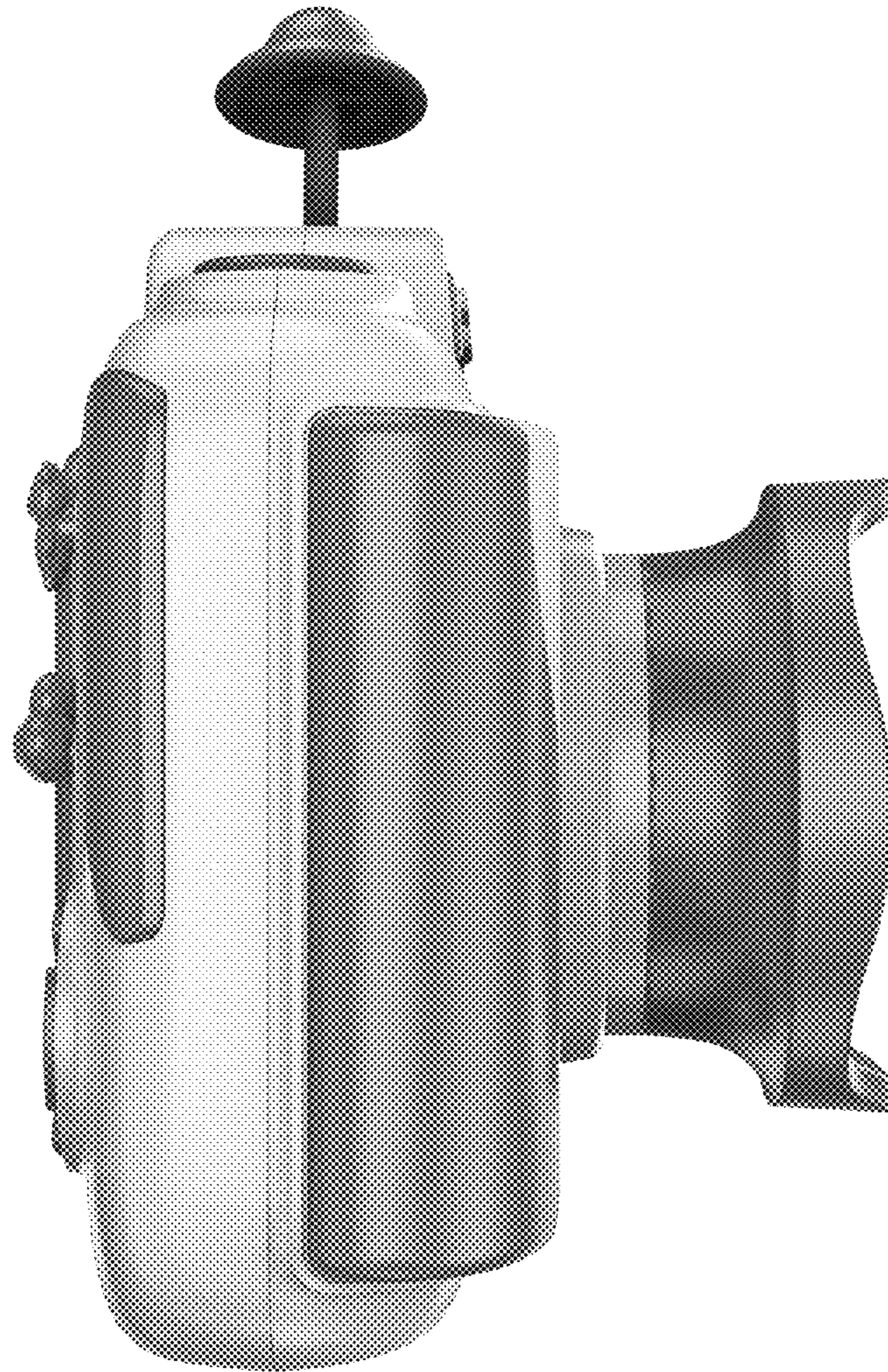


FIG. 5

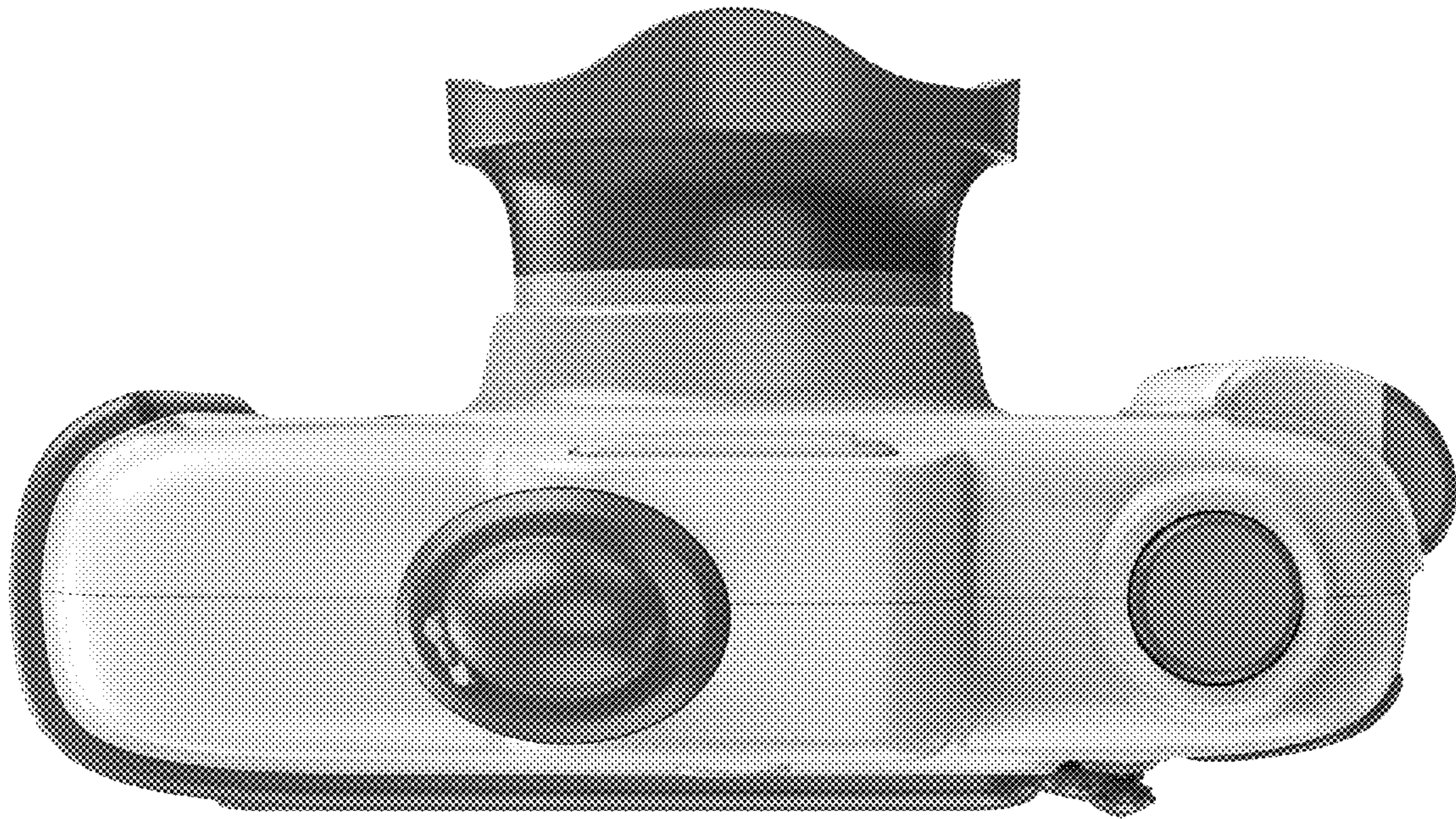


FIG. 7

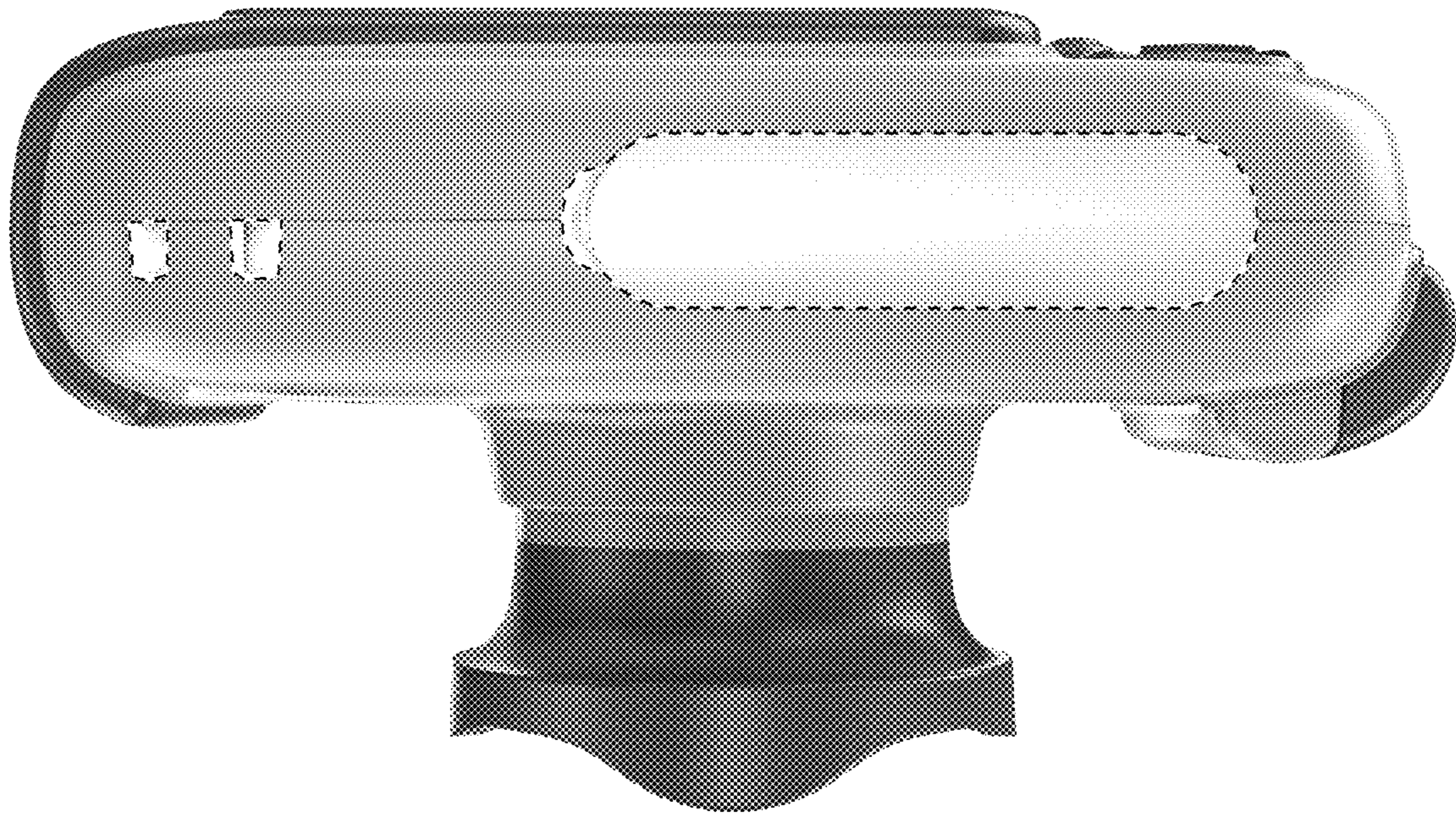


FIG. 7