



US00D924958S

(12) **United States Design Patent**
Li

(10) **Patent No.:** **US D924,958 S**

(45) **Date of Patent:** **** Jul. 13, 2021**

(54) **CAMERA**

(71) Applicants: **Sintai Optical (Shenzhen) Co., Ltd.**,
ShenZhen (CN); **Asia Optical Co., Inc.**,
Taichung (TW)

(72) Inventor: **Gui-Feng Li**, Taichung (TW)

(73) Assignees: **SINTAI OPTICAL (SHENZHEN) CO., LTD.**,
Shenzhen (CN); **ASIA OPTICAL CO., INC.**,
Taichung (TW)

(**) Term: **15 Years**

(21) Appl. No.: **29/690,107**

(22) Filed: **May 6, 2019**

(30) **Foreign Application Priority Data**

Nov. 16, 2018 (TW) 107306752

(51) **LOC (13) Cl.** **16-01**

(52) **U.S. Cl.**
USPC **D16/202**

(58) **Field of Classification Search**
USPC D16/200, 202–206, 208, 218, 219;
348/373–376; 396/535, 539–541
CPC G03B 15/03; G03B 17/02; G03B 17/04;
G03B 17/56; G03B 19/04; H04N 5/2251;
H04N 5/2252; H04N 5/2253; H04N
5/2254; H04N 2101/00
See application file for complete search history.

(56) **References Cited**

U.S. PATENT DOCUMENTS

D542,321 S * 5/2007 Takahashi D16/202
D681,090 S * 4/2013 Tainaka D16/200

D701,550 S * 3/2014 Umehara D16/202
D720,787 S * 1/2015 Tainaka D16/202
D732,099 S * 6/2015 Nagaoka D16/202
D733,782 S * 7/2015 Sakai D16/202
D738,418 S * 9/2015 Imai D16/202
D746,351 S * 12/2015 Sogabe D16/217
D750,686 S * 3/2016 Chen D16/218
D867,420 S * 11/2019 Zhang D16/202
D870,183 S * 12/2019 Tsukamoto D16/218
D872,162 S * 1/2020 Gao D16/218
2014/0160346 A1 * 6/2014 Komada H04N 5/2171
348/373

* cited by examiner

Primary Examiner — Ramzi Almatrahi

(74) *Attorney, Agent, or Firm* — McClure, Qualey & Rodack, LLP

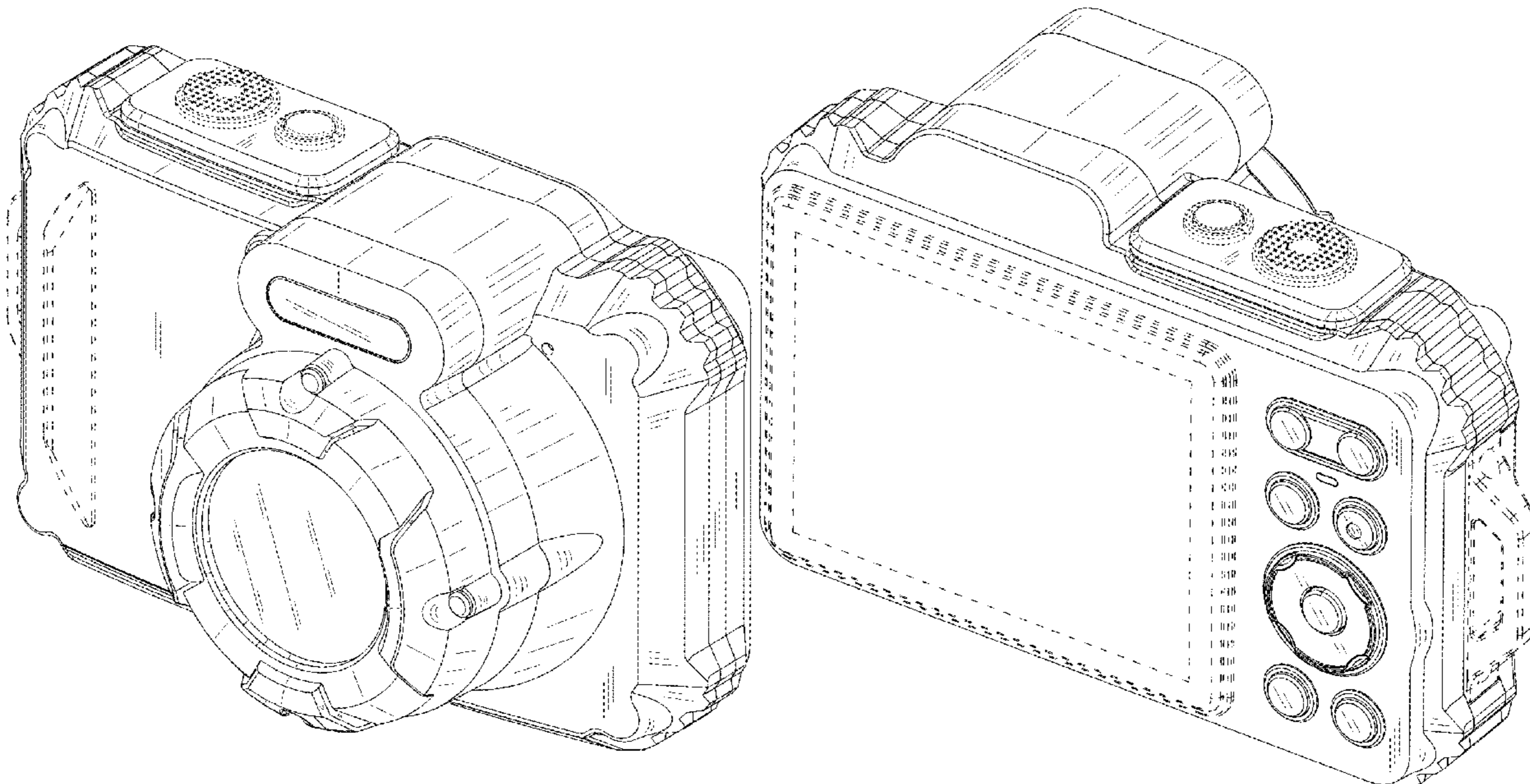
(57) **CLAIM**

The ornamental design for a camera, as shown and described.

DESCRIPTION

FIG. 1 is front a perspective view of a camera;
FIG. 2 is a front elevation view thereof;
FIG. 3 is a rear elevation view thereof;
FIG. 4 is a left side elevation view thereof;
FIG. 5 is a right side elevation view thereof;
FIG. 6 is a top plan view thereof;
FIG. 7 is a bottom plan view thereof; and,
FIG. 8 is a rear perspective view thereof.
The broken lines depict portions of the camera in which the design is embodied that form no part of the claimed design.

1 Claim, 8 Drawing Sheets



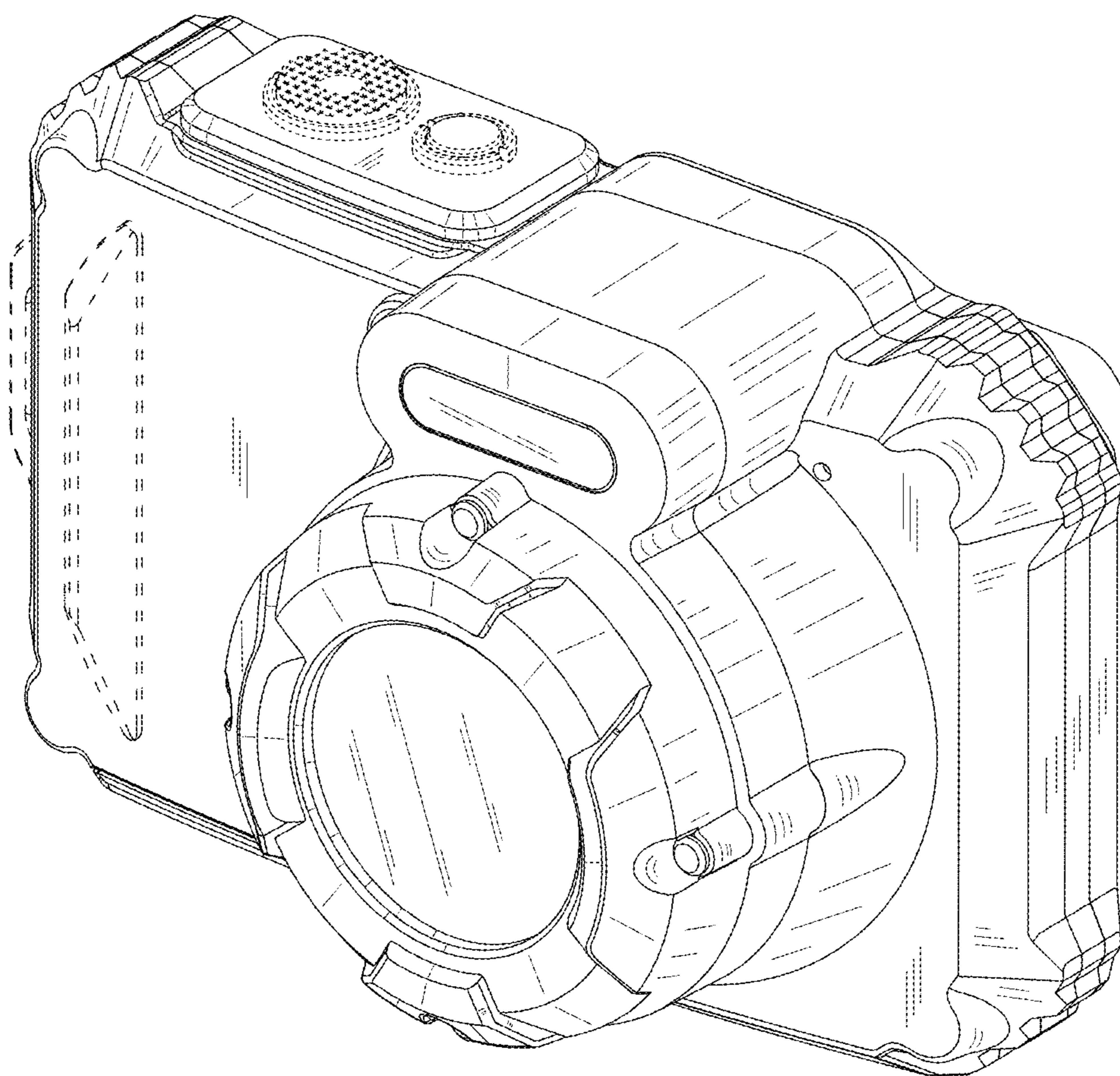


Fig. 1

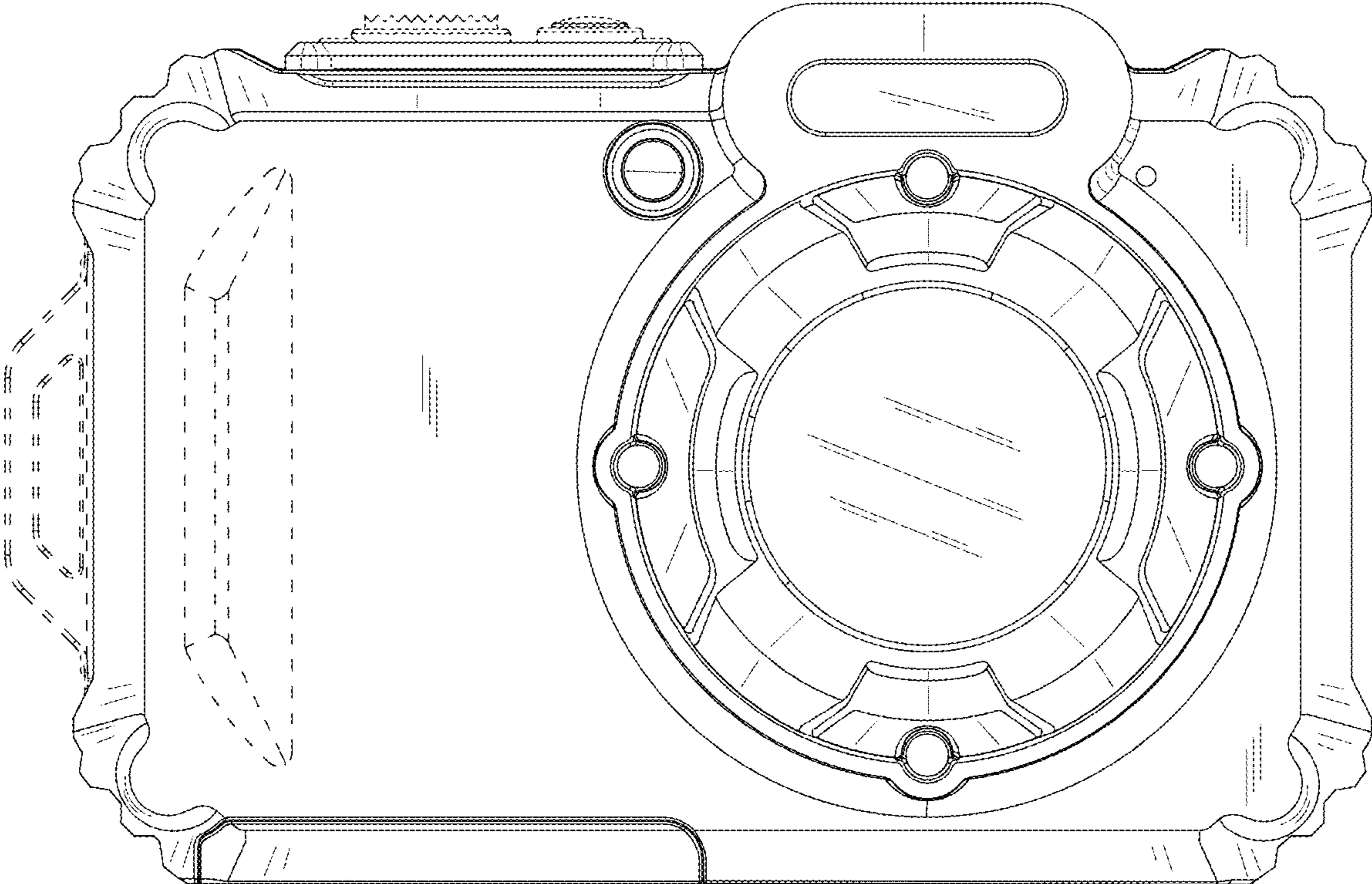


Fig. 2

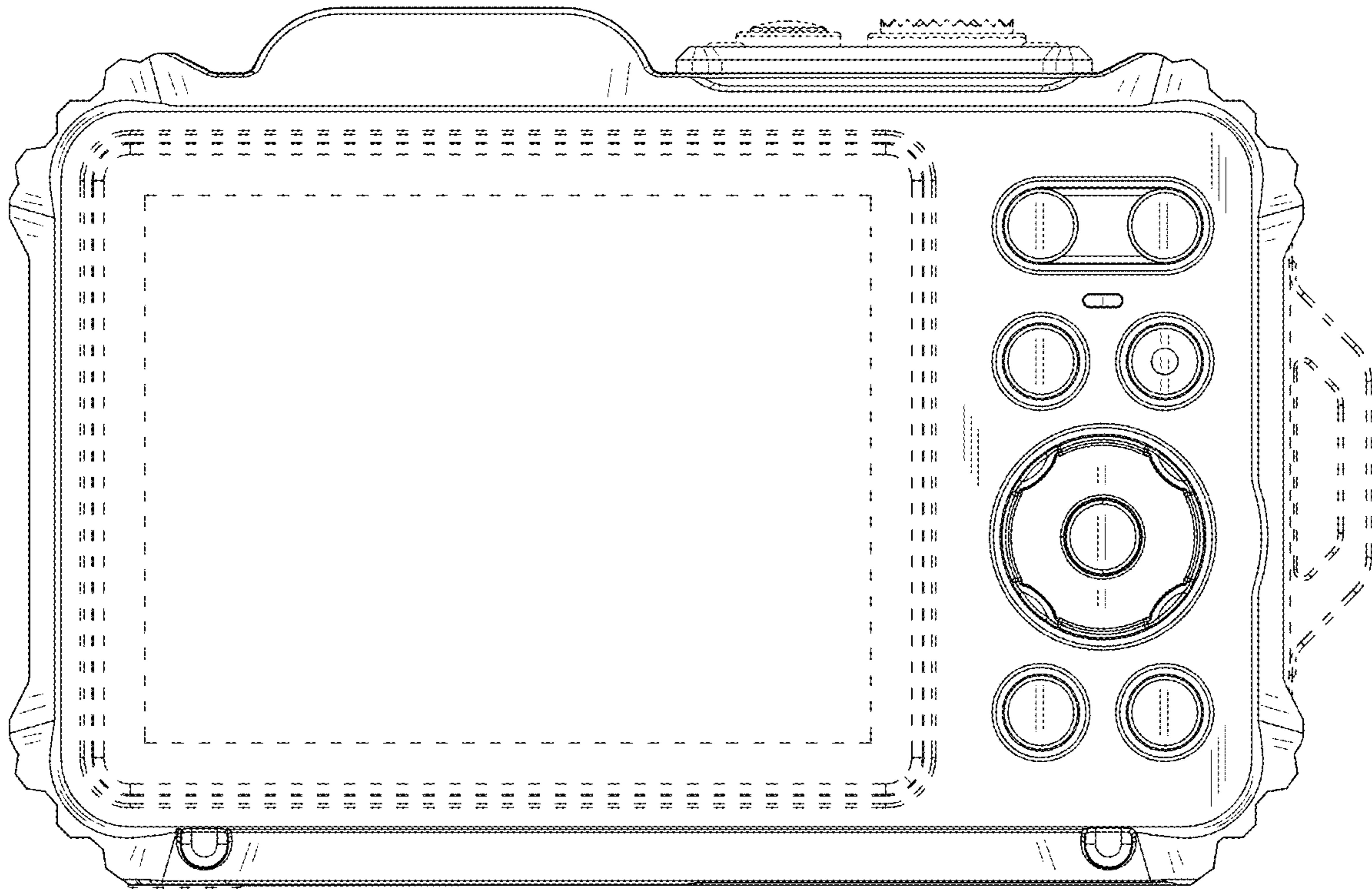


Fig. 3

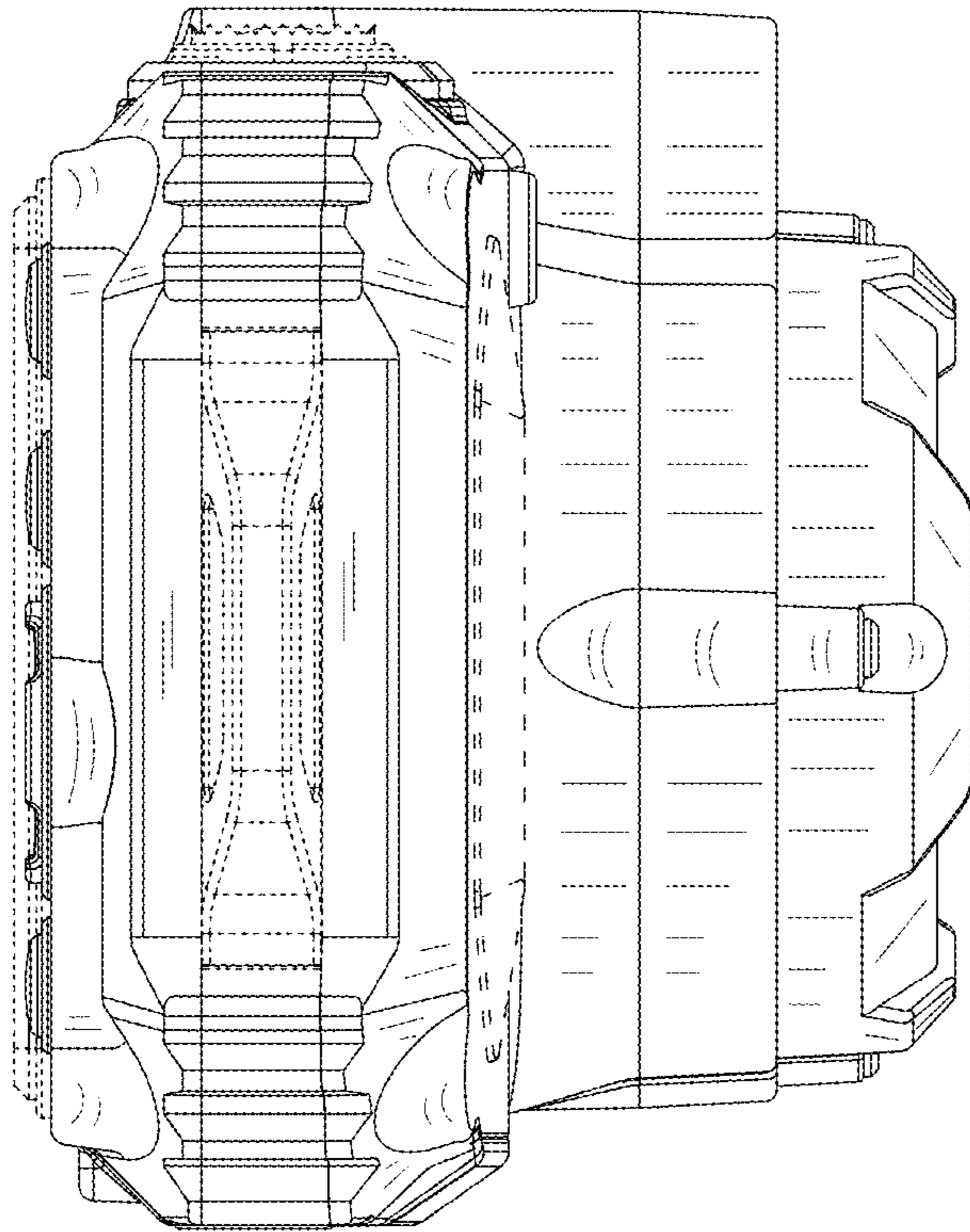


Fig. 4

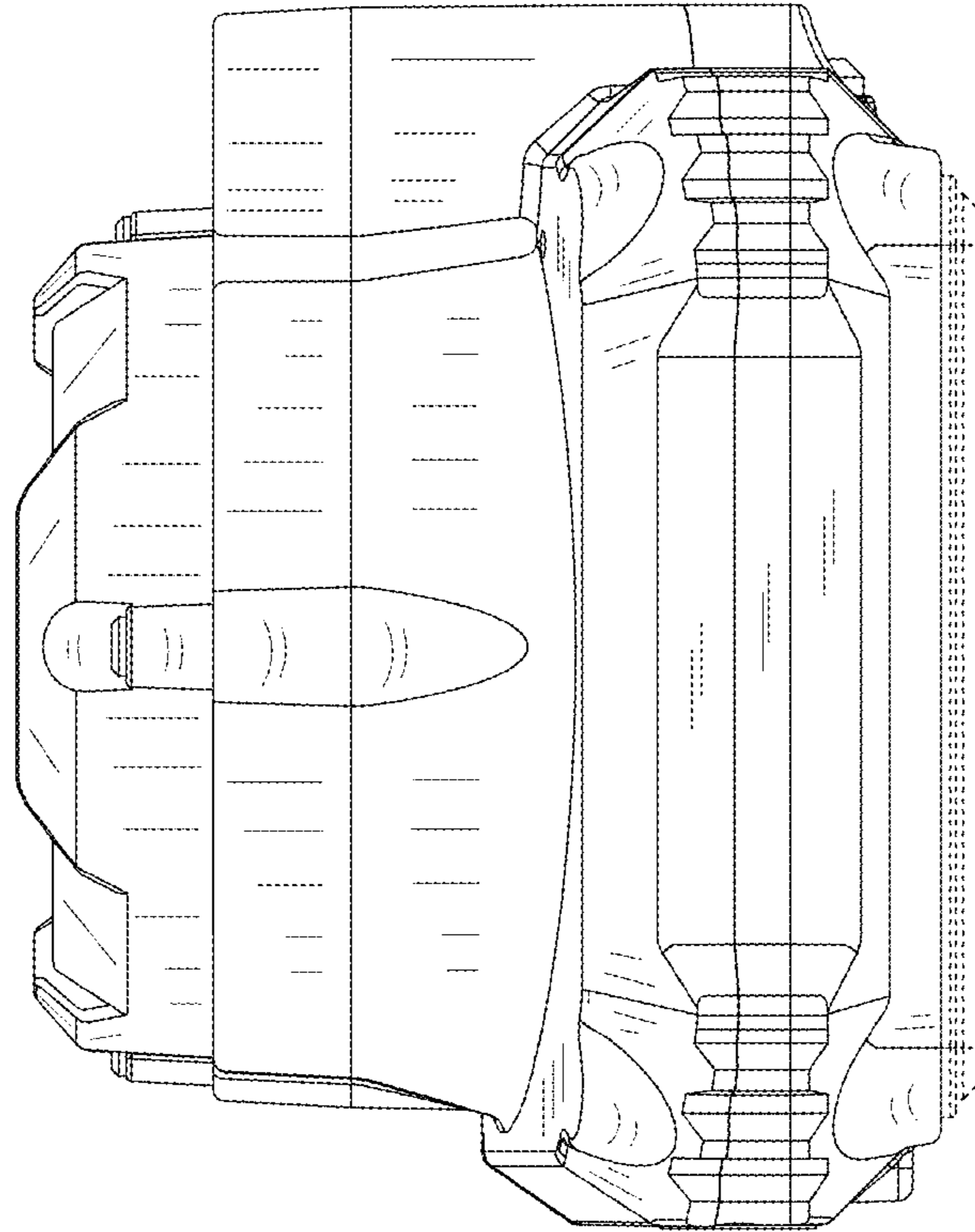


Fig. 5

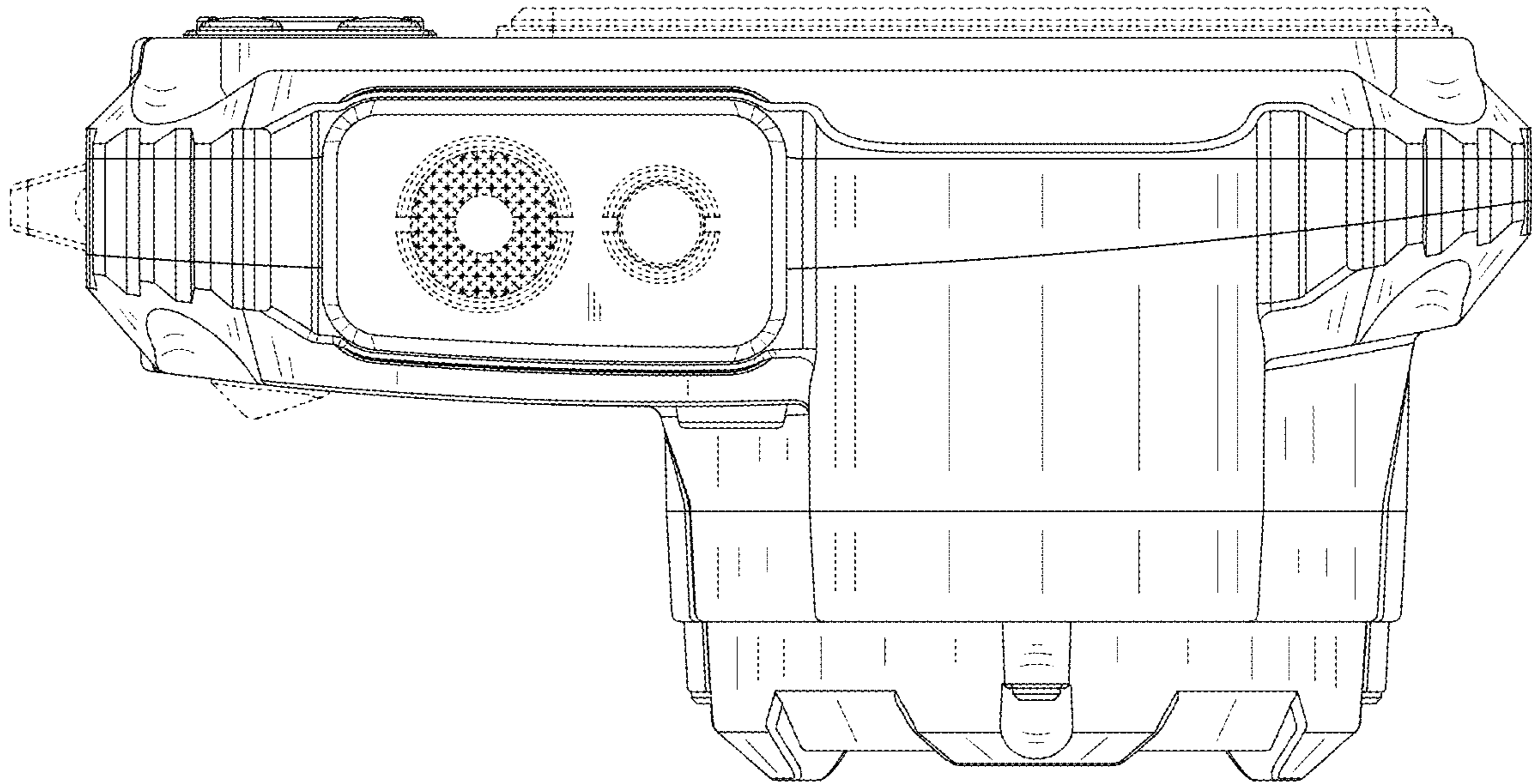


Fig. 6

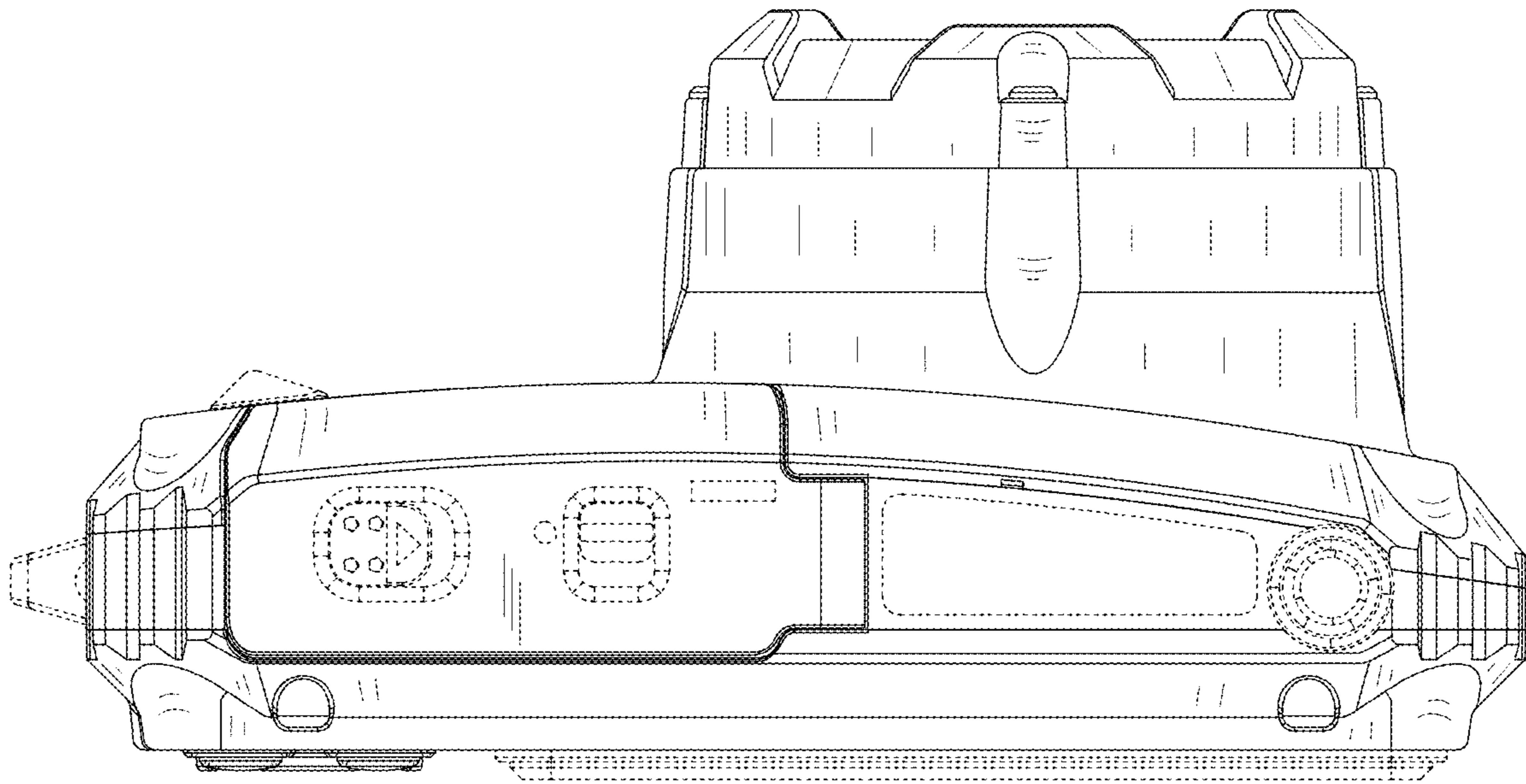


Fig. 7

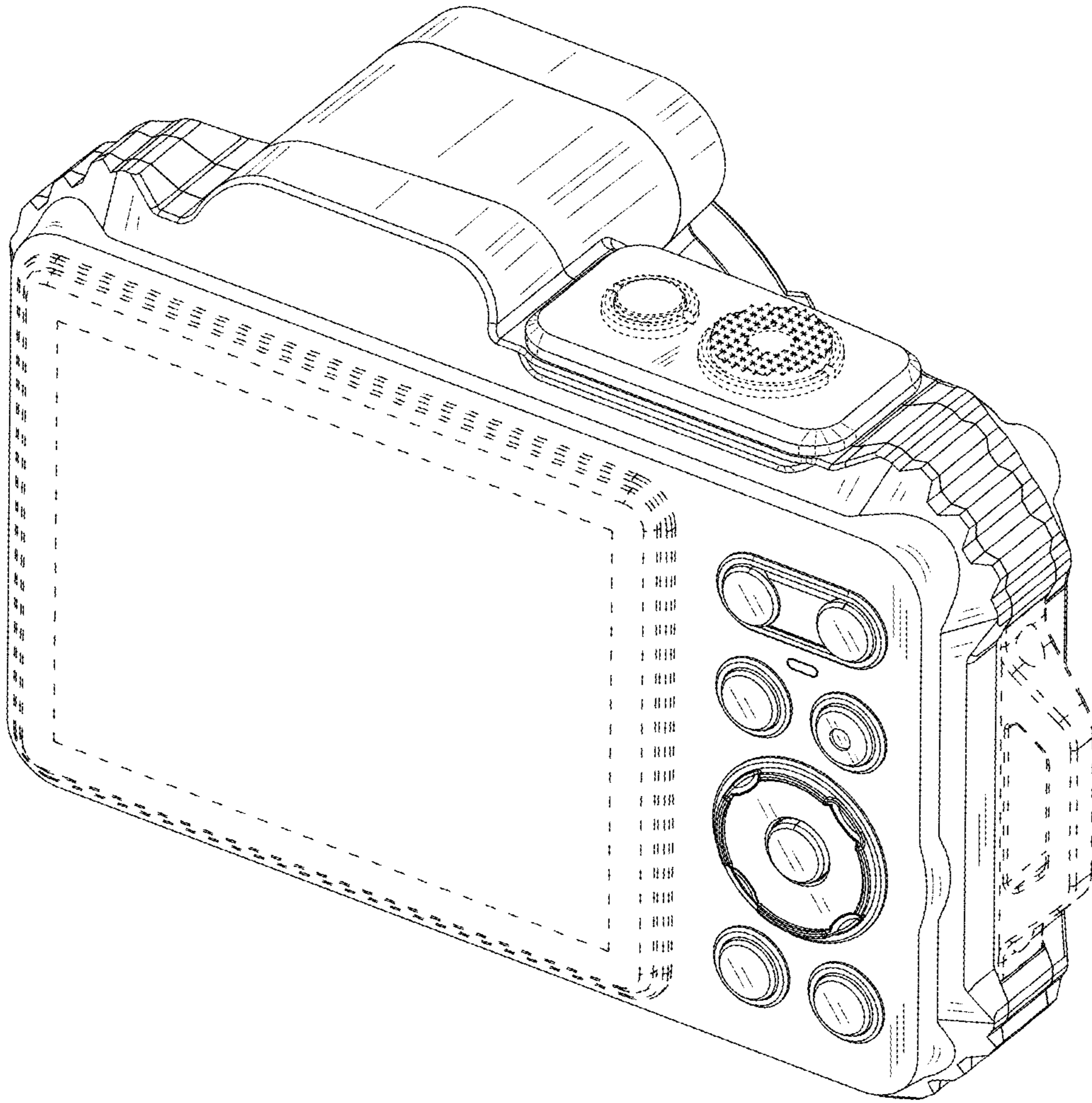


Fig. 8