

US00D924954S

(12) **United States Design Patent** (10) **Patent No.:** **US D924,954 S**
Nelson (45) **Date of Patent:** **** Jul. 13, 2021**

(54) **ROLLED MATERIAL DISPENSING APPARATUS**

D367,660 S * 3/1996 Weston D15/144.1
D369,361 S * 4/1996 Satake D15/131
5,607,383 A 3/1997 Armington
D400,219 S 10/1998 Mercier
5,908,375 A * 6/1999 Simmons B31D 5/0047
493/346
6,155,522 A 12/2000 Anderson
(Continued)

(71) Applicant: **Encore Packaging LLC**, Vernon Hills, IL (US)

(72) Inventor: **Timothy H. Nelson**, Winnetka, IL (US)

(73) Assignee: **ENCORE PACKAGING LLC**, Vernon Hills, IL (US)

(**) Term: **15 Years**

(21) Appl. No.: **29/681,057**

(22) Filed: **Feb. 22, 2019**

(51) **LOC (13) Cl.** **15-99**

(52) **U.S. Cl.**
USPC **D15/145**

(58) **Field of Classification Search**
USPC D15/138, 145; D06/518-520, 522, 523;
156/538.1; 242/588.2, 422.4; 493/464
CPC B31D 5/004; B31D 5/0043; B31B 1/00;
B65B 67/08; B65B 11/02; F16G 11/00;
F16G 11/046; B65D 19/44
See application file for complete search history.

(56) **References Cited**

U.S. PATENT DOCUMENTS

221,462 A * 11/1879 Hoe B65H 19/30
242/533.2
1,912,363 A * 6/1933 De Waide A47K 17/003
225/106
2,882,802 A 4/1959 Walker
D202,577 S * 10/1965 Roach D15/145
3,509,797 A 5/1970 Johnson
D260,651 S * 9/1981 Gibbons D15/138
D327,487 S 6/1992 Di Bernardo
5,131,903 A * 7/1992 Levine B31D 5/0043
206/395
5,322,231 A * 6/1994 Greenberg B65H 75/08
242/588.2

OTHER PUBLICATIONS

Encore Packaging LLC Home, Earliest Available Date Aug. 19, 2016 [Online], [Site visited Jul. 29, 2020] Available From Internet, URL:<<https://www.encorepack.com/Kraft%20Paper%20Dispensers.php>> (Year: 2016).*

(Continued)

Primary Examiner — Sheryl Lane

Assistant Examiner — Mark T. Philipps

(74) *Attorney, Agent, or Firm* — Fitch, Even, Tabin & Flannery LLP

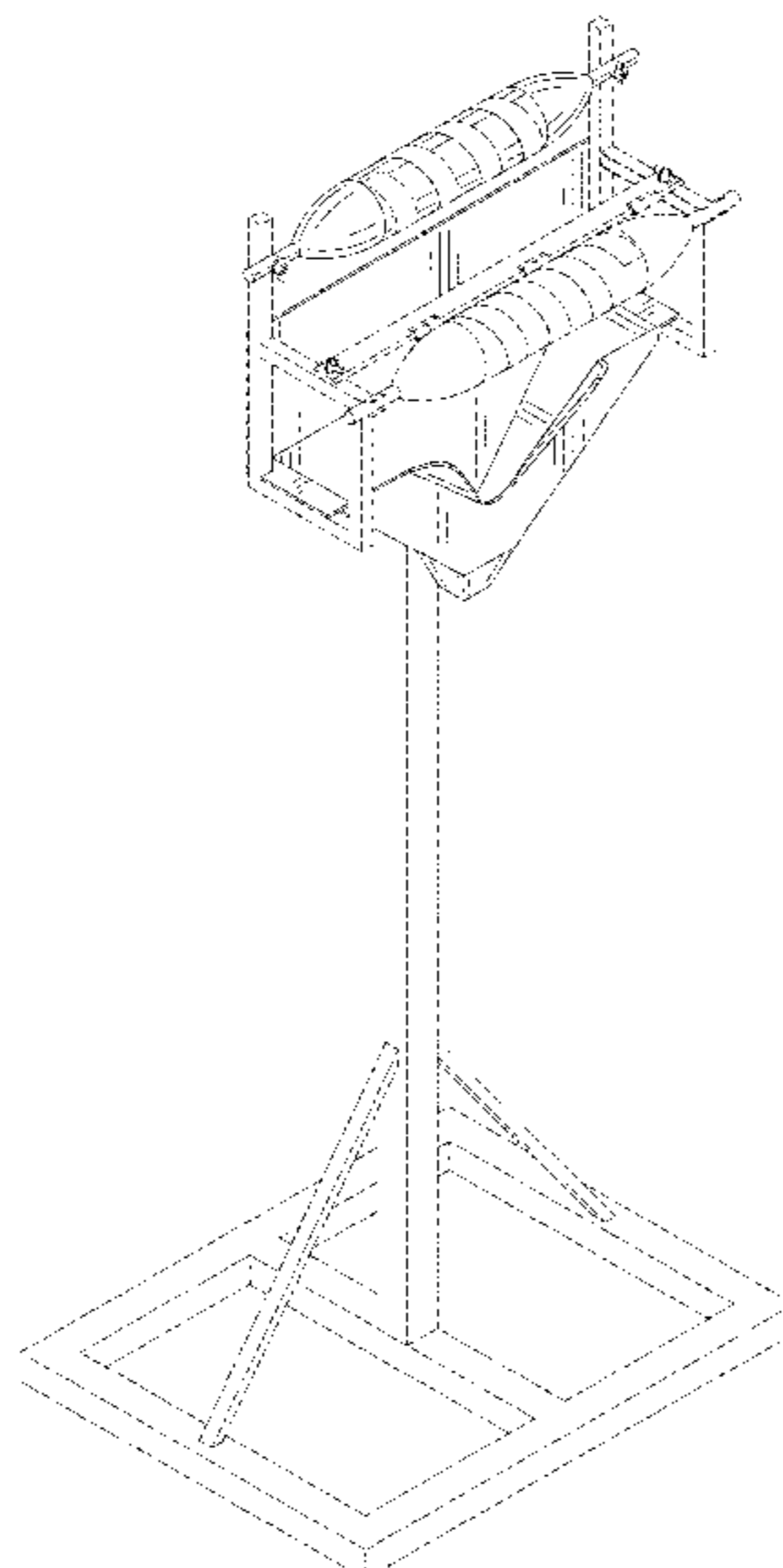
(57) **CLAIM**

I claim the ornamental design for a rolled material dispensing apparatus, as shown and described.

DESCRIPTION

FIG. 1 is a front-top perspective view of a rolled material dispensing apparatus showing my new design; FIG. 2 is a bottom-rear perspective view thereof; FIG. 3 is a front elevation view thereof; FIG. 4 is a rear elevation view thereof; FIG. 5 is a left side elevation view thereof; FIG. 6 is a right side elevation view thereof; FIG. 7 is a top view thereof; and, FIG. 8 is a bottom view thereof. The broken lines show portions of the rolled material dispensing apparatus that form no part of the claimed design.

1 Claim, 7 Drawing Sheets



(56)

References Cited

U.S. PATENT DOCUMENTS

6,241,180 B1 * 6/2001 Potter A47K 10/38
242/571.5
6,503,182 B2 * 1/2003 Toth B31D 5/0047
493/233
6,632,165 B1 10/2003 Letourneau
6,708,742 B2 3/2004 Weathers
6,745,547 B2 6/2004 Bussey
D513,352 S 12/2005 Weathers
D530,350 S 10/2006 Griggs
D685,402 S * 7/2013 Cappuccio D15/133
D699,274 S * 2/2014 Nelson D15/145
8,641,591 B2 * 2/2014 Wetsch B31D 5/0047
493/464
D717,844 S * 11/2014 Cappuccio D15/133
10,093,070 B2 * 10/2018 Lintala B31D 99/00
D833,168 S * 11/2018 Hussain A47K 10/40
D6/518
D833,493 S * 11/2018 Nelson D15/145
D871,794 S * 1/2020 Roberts D6/523
D878,079 S * 3/2020 Briden D6/523
D889,522 S * 7/2020 Chan D15/145
2001/0032858 A1 * 10/2001 Kapiloff G07F 11/68
221/30
2002/0066538 A1 * 6/2002 Lavelle B65H 35/004
156/574
2002/0091053 A1 7/2002 Kung

2009/0258775 A1 * 10/2009 Chan B31D 5/0047
493/464
2011/0045217 A1 2/2011 Kung
2011/0281711 A1 11/2011 Chan
2011/0319245 A1 12/2011 Wetsch
2012/0053040 A1 * 3/2012 Wetsch B31D 5/0047
493/464
2012/0165172 A1 6/2012 Wetsch
2012/0283084 A1 11/2012 Cheich
2012/0289392 A1 11/2012 Cheich
2012/0322644 A1 12/2012 Chan
2012/0329629 A1 12/2012 Wetsch
2013/0130822 A1 5/2013 Uvena
2013/0178351 A1 7/2013 Wetsch
2013/0196839 A1 8/2013 Carlson
2017/0043904 A1 * 2/2017 Nelson B65B 11/02
2017/0100906 A1 4/2017 Beaver
2020/0247080 A1 * 8/2020 Cheich B31D 5/0065

OTHER PUBLICATIONS

Encore EP-5950-24 Kraft Paper Dispenser with Paper Crumple,
Tin-Eye Date Sep. 4, 2017 [Online], [Site Visited Oct. 7, 2020]
Available From Internet, URL: <<https://www.globalindustrial.ca/p/packaging/papers/roll-dispensers-cutters/kraft-paper-dispenser-w-paper-crumple-device-24-material-width>> (Year: 2017).*

* cited by examiner

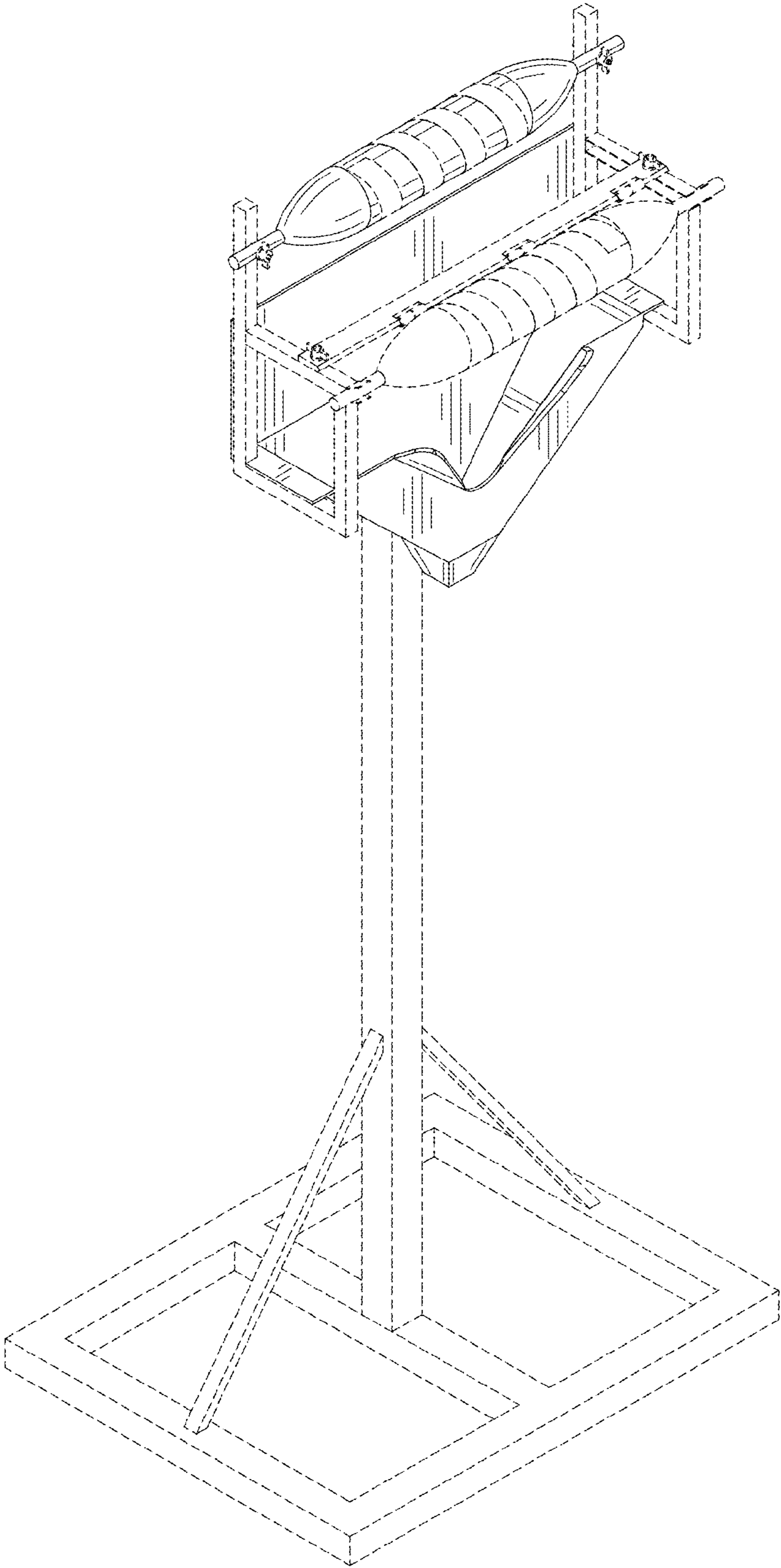


FIG. 1

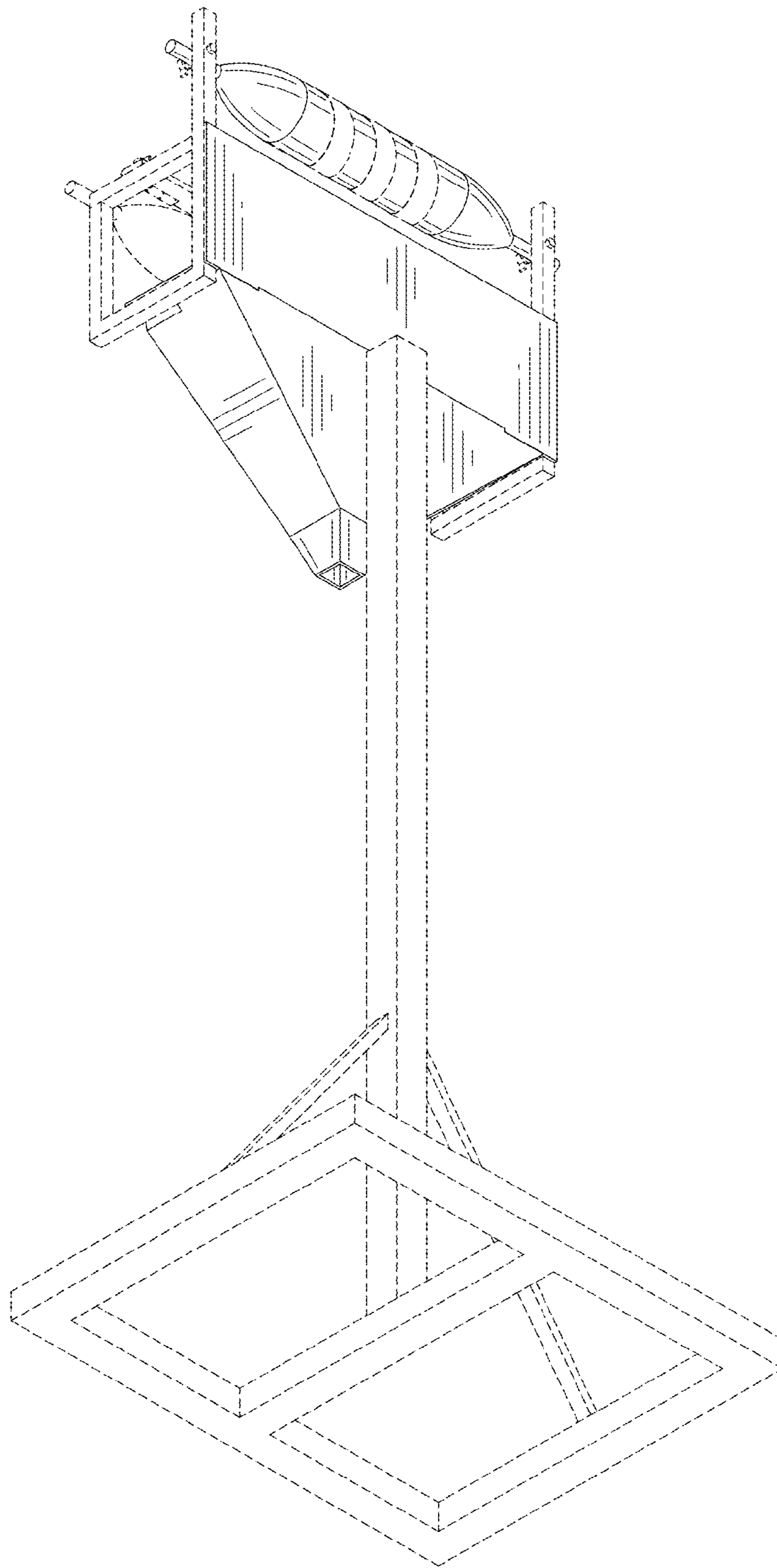


FIG. 2

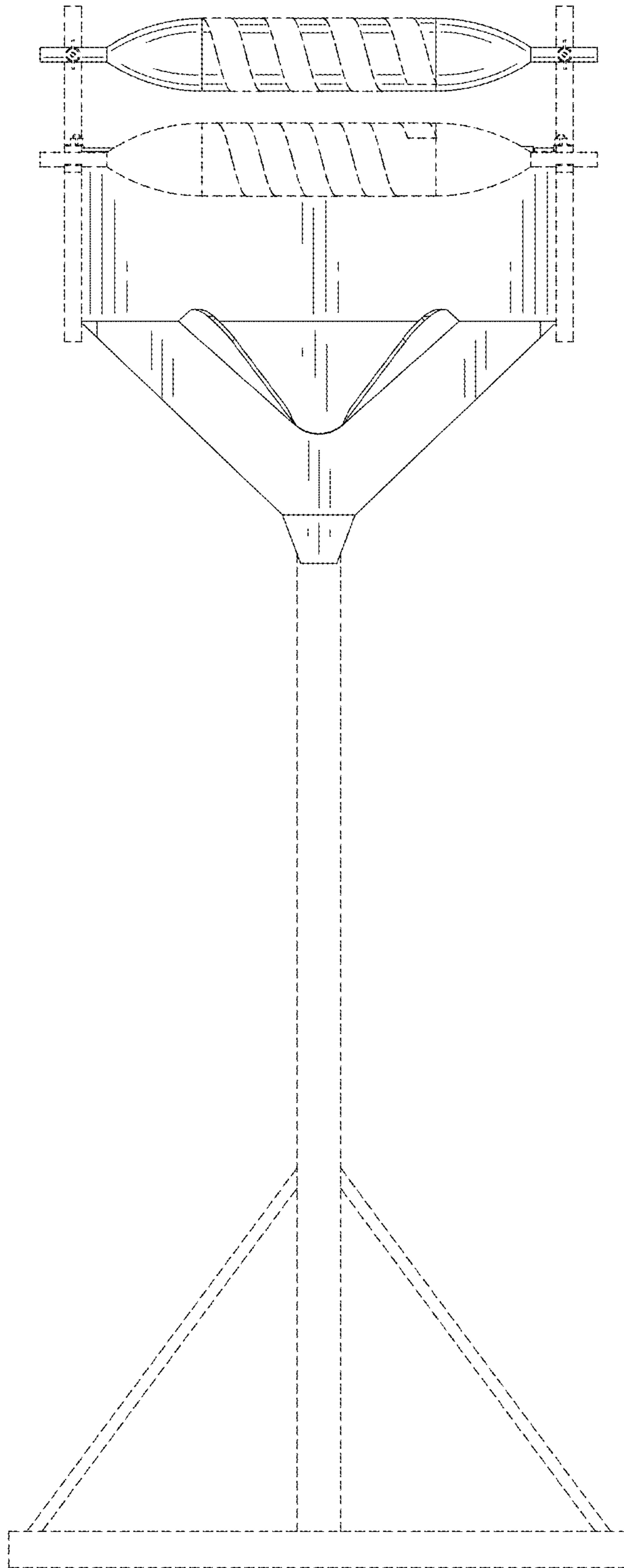


FIG. 3

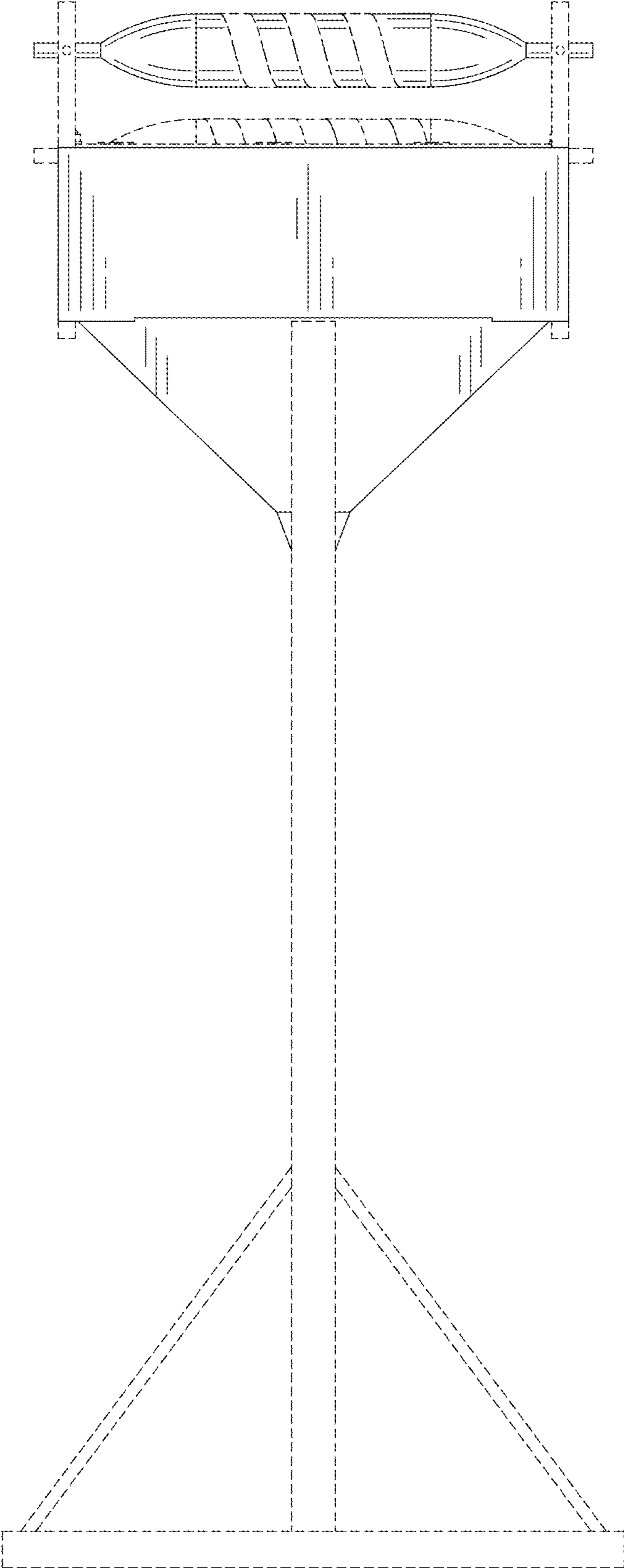


FIG. 4

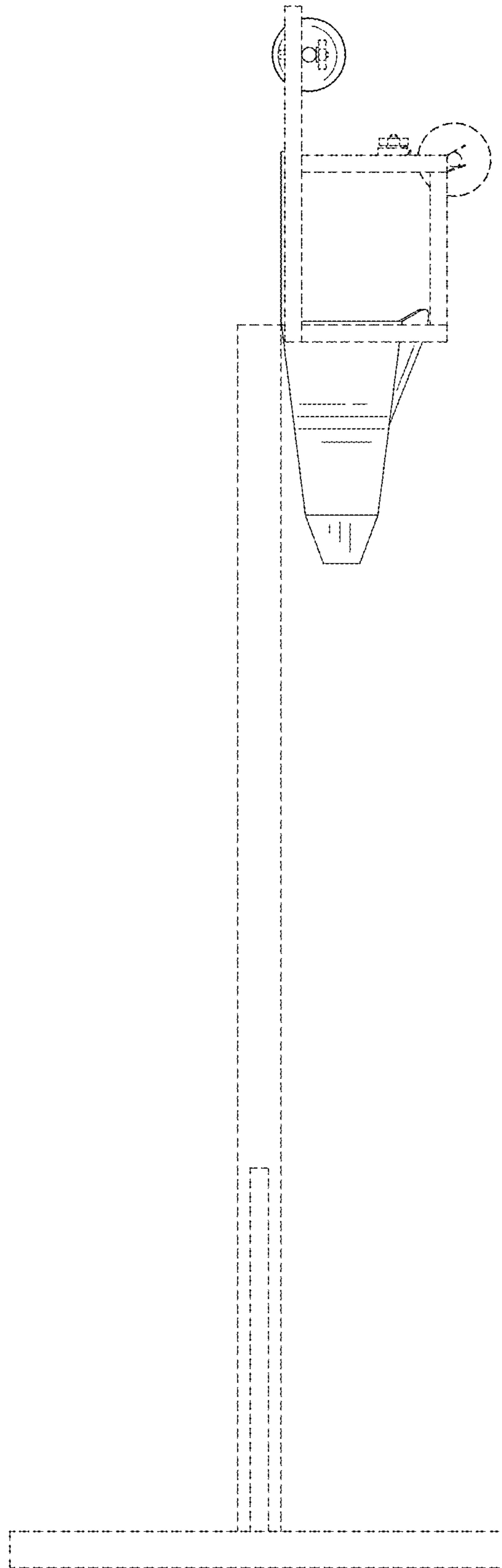


FIG. 5

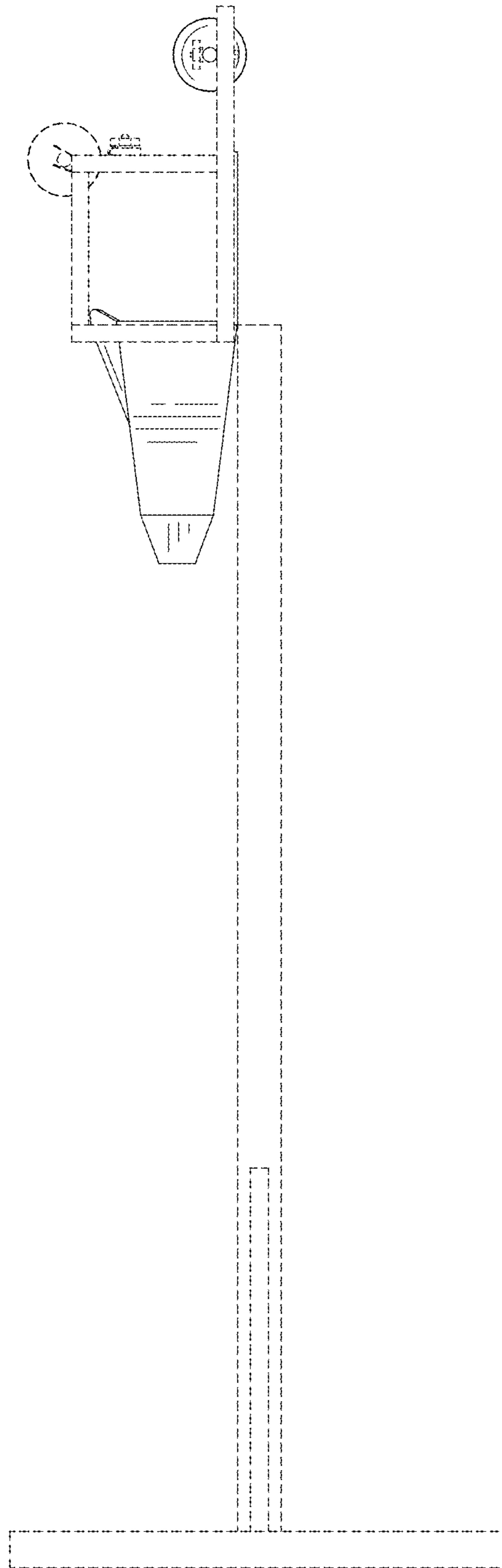


FIG. 6

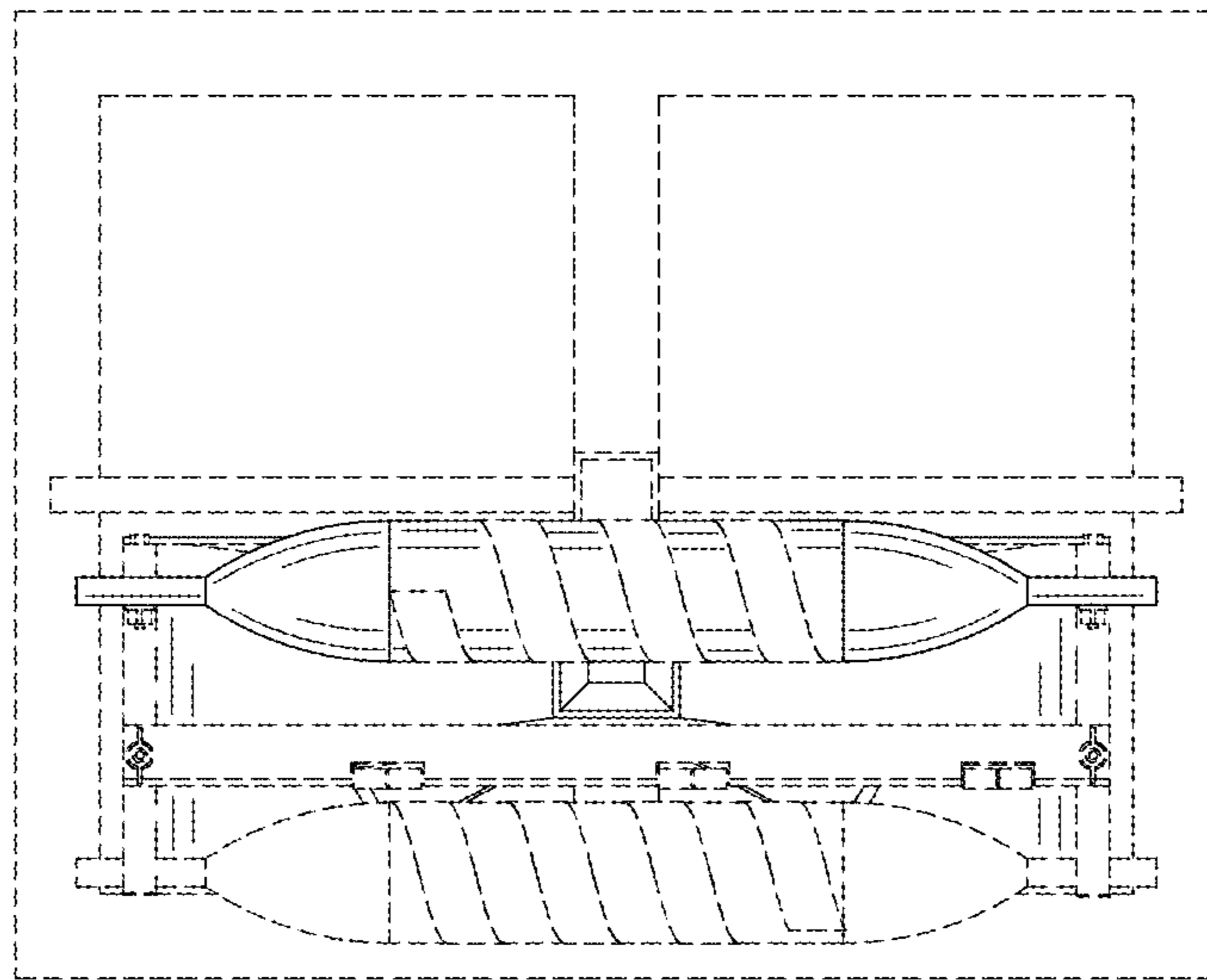


FIG. 7

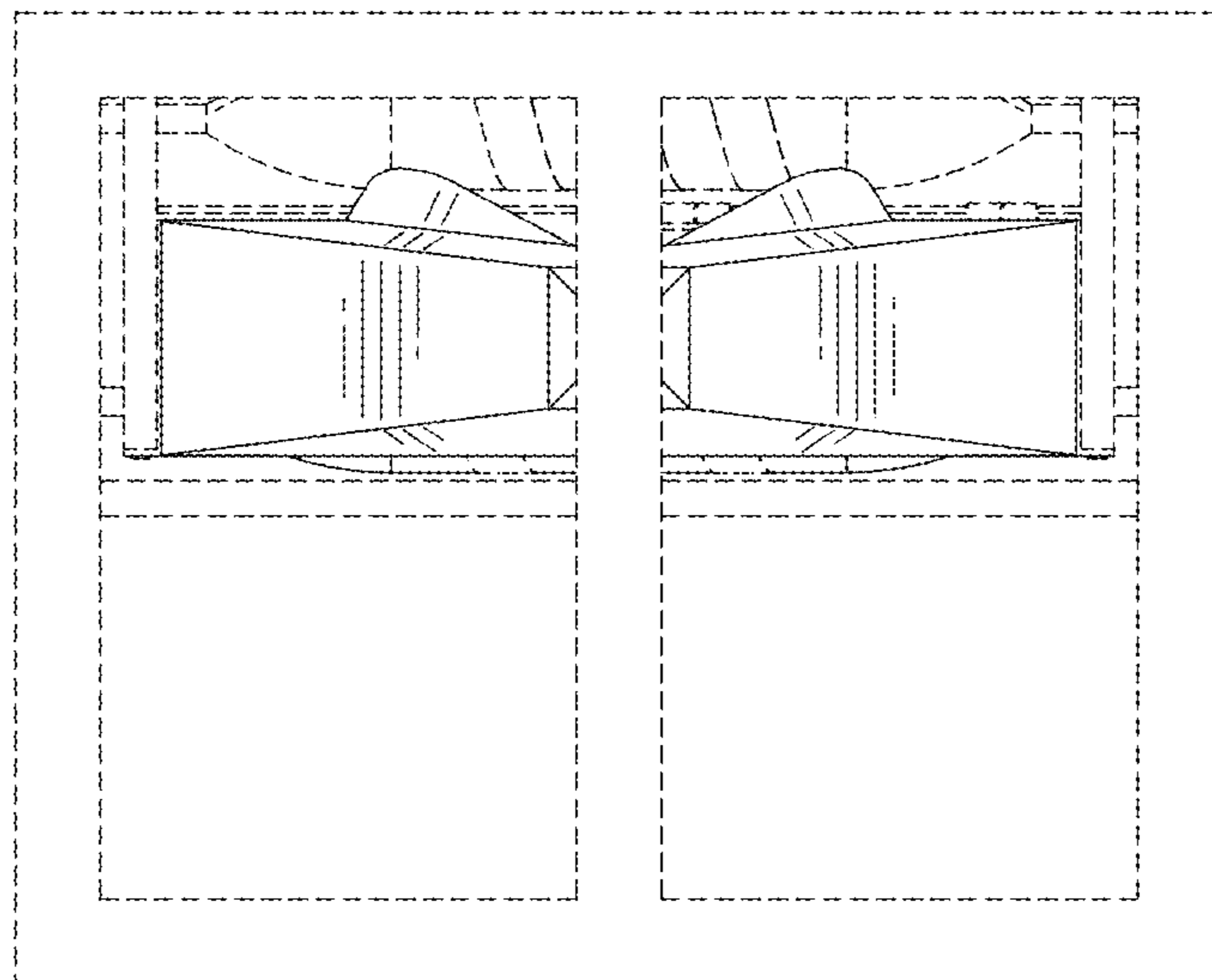


FIG. 8