



US00D924952S

(12) **United States Design Patent** (10) **Patent No.:** **US D924,952 S**
Boulay et al. (45) **Date of Patent:** **** Jul. 13, 2021**

(54) **ELECTRONIC MODULE FOR A TANK LID**

B60L 1/002; B60L 15/34; B60L 15/38;
B60L 53/20; B60L 53/22

See application file for complete search history.

(71) Applicants: **Worthington Cylinders Corporation**,
Columbus, OH (US); **Otodata Wireless
Network, Inc.**, Montreal (CA)

(56)

References Cited

U.S. PATENT DOCUMENTS

(72) Inventors: **Andre Boulay**, Ile Bizard (CA); **Adam
Joseph Erwin**, Columbus, OH (US);
Michael Gaykowski, Worthington, OH
(US); **Simon Noel**, Quebec (CA);
Jennifer Marie O'Brian, Plain City,
OH (US); **Pascal Turcotte**, Quebec
(CA); **Jason M. Gallovich**, Dorval
(CA); **Jason Christopher Bryant**, Erie,
PA (US); **Brian Jack Lowery**, Union
City, PA (US)

D265,986 S * 8/1982 Wearsch D13/152
D303,524 S * 9/1989 Siegner D14/438
(Continued)

OTHER PUBLICATIONS

Worthington industries, SMARTLID Spec Sheet, (published Jan.
2021), Worthington Industries Website, URL:<https://worthingtonindustries.com/getmedia/c4bae261-78de-4959-8645-ec78d2b9c37d/35956_SmartLid_Sell_Sheet_012221_V2> (Year:
2021).*

(Continued)

(73) Assignees: **Worthington Cylinders Corporation**,
Columbus, OH (US); **Otodata Wireless
Network, Inc.**, Montreal (CA)

Primary Examiner — Sheryl Lane
Assistant Examiner — Mark T. Philipps

(74) *Attorney, Agent, or Firm* — Tucker Ellis, LLP

(**) Term: **15 Years**

(57)

CLAIM

(21) Appl. No.: **29/719,716**

The ornamental design for an electronic module for a tank lid, as shown and described.

(22) Filed: **Jan. 7, 2020**

DESCRIPTION

(51) **LOC (13) Cl.** **15-09**

(52) **U.S. Cl.**
USPC **D15/144**; D10/101

(58) **Field of Classification Search**
USPC D15/1-9, 144; D14/299, 358, 434;
D13/49, 50, 60, 103, 107, 110, 117, 118,
D13/124, 125, 126-127, 146, 152, 182,
D13/184, 162
CPC H02J 7/003; H02J 7/0042; H01L 23/02;
H01L 23/04; H01L 23/053; H01L 23/12;
H02M 1/00; H02M 1/003; H05K 5/00;
H05K 5/026; H05K 5/0243; B60L 1/00;

FIG. 1 is a top perspective view of an embodiment of an electronic module for a tank lid showing our new design; FIG. 2 is a front view of the electronic module for a tank lid illustrated in FIG. 1; FIG. 3 is a rear view of the electronic module for a tank lid illustrated in FIG. 1; FIG. 4 is a left side view of the electronic module for a tank lid illustrated in FIG. 1; FIG. 5 is a right side view of the electronic module for a tank lid illustrated in FIG. 1; FIG. 6 is a top view of the electronic module for a tank lid illustrated in FIG. 1; and,

(Continued)

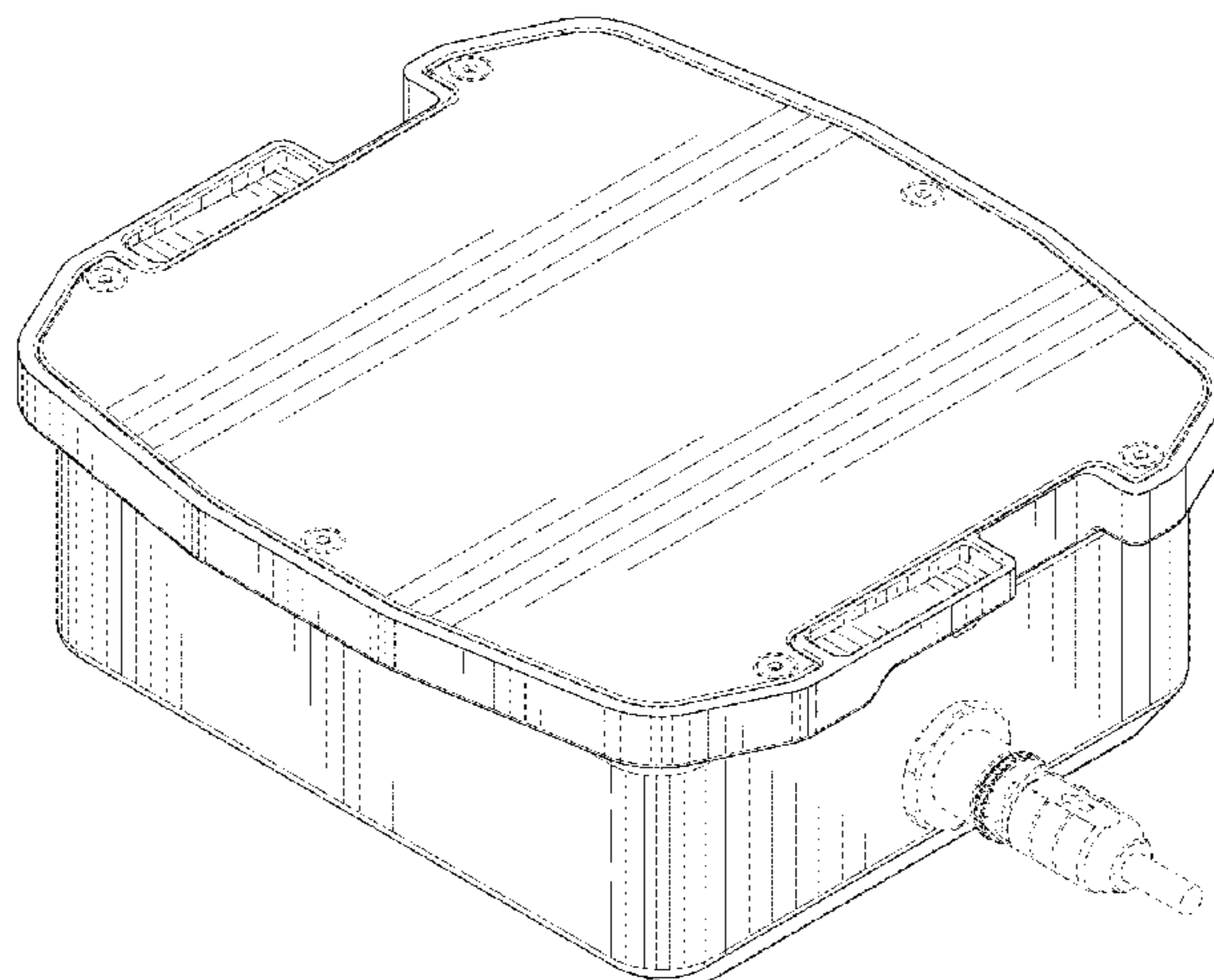


FIG. 7 is a bottom view of the electronic module for a tank lid illustrated in FIG. 1.

The broken lines in the drawings depict portions of the electronic module for a tank lid and form no part of the claimed design.

1 Claim, 4 Drawing Sheets

(56)

References Cited

U.S. PATENT DOCUMENTS

D344,905	S	*	3/1994	Issa	D10/106.1
D345,711	S	*	4/1994	Issa	D10/106.1
D364,601	S	*	11/1995	Iwaki	D13/103
D482,370	S	*	11/2003	Niwatsukino	D15/7
D497,878	S	*	11/2004	Koo	D13/152
D568,253	S	*	5/2008	Gorman	D13/146
D571,294	S	*	6/2008	Stanley	D13/125
D580,886	S	*	11/2008	Harman	D13/168
D581,880	S	*	12/2008	Neitzel	D13/162
D595,161	S	*	6/2009	Fisher	D10/50
D606,033	S	*	12/2009	Sonntag	D13/184
D625,692	S	*	10/2010	Homuth	D13/162
D698,791	S	*	2/2014	Woodman	D14/434

D722,975	S	*	2/2015	Debone	D13/152
D725,505	S	*	3/2015	Arensmeier	D10/49
D727,908	S	*	4/2015	Samuels	D14/434
D737,194	S	*	8/2015	Barassi	D12/400
D741,813	S	*	10/2015	Leung	D13/152
D758,217	S	*	6/2016	Kumfer	D10/50
D772,822	S	*	11/2016	Lindeman	D13/179
D792,405	S	*	7/2017	Bousfield	D14/385
D796,459	S	*	9/2017	Iwai	D13/182
D803,708	S	*	11/2017	Madrid	D10/70
D804,451	S	*	12/2017	Isabelle	D14/217
D808,348	S	*	1/2018	Lengua	D13/180
D831,073	S	*	10/2018	Squire	D15/5
D835,040	S	*	12/2018	Duran	D13/124
D842,713	S	*	3/2019	Erbacher	D10/50
D843,239	S	*	3/2019	Read	D10/50
D866,463	S	*	11/2019	Hui	D13/110
D908,622	S	*	1/2021	Le	D13/110
2017/0347491	A1	*	11/2017	Daimon	H05K 1/0203

OTHER PUBLICATIONS

Worthington Industries, SMARTLID Spec Sheet, (pub. Jan. 2021);
 Worthington Industries Website, URL: https://worthingtonindustries.com/getmedia/c4bae261-78de-4959-8645-ec78d2b9c37d/35956-SmartLid-Sell_Sheet_01221_V2 (Year: 2021).

* cited by examiner

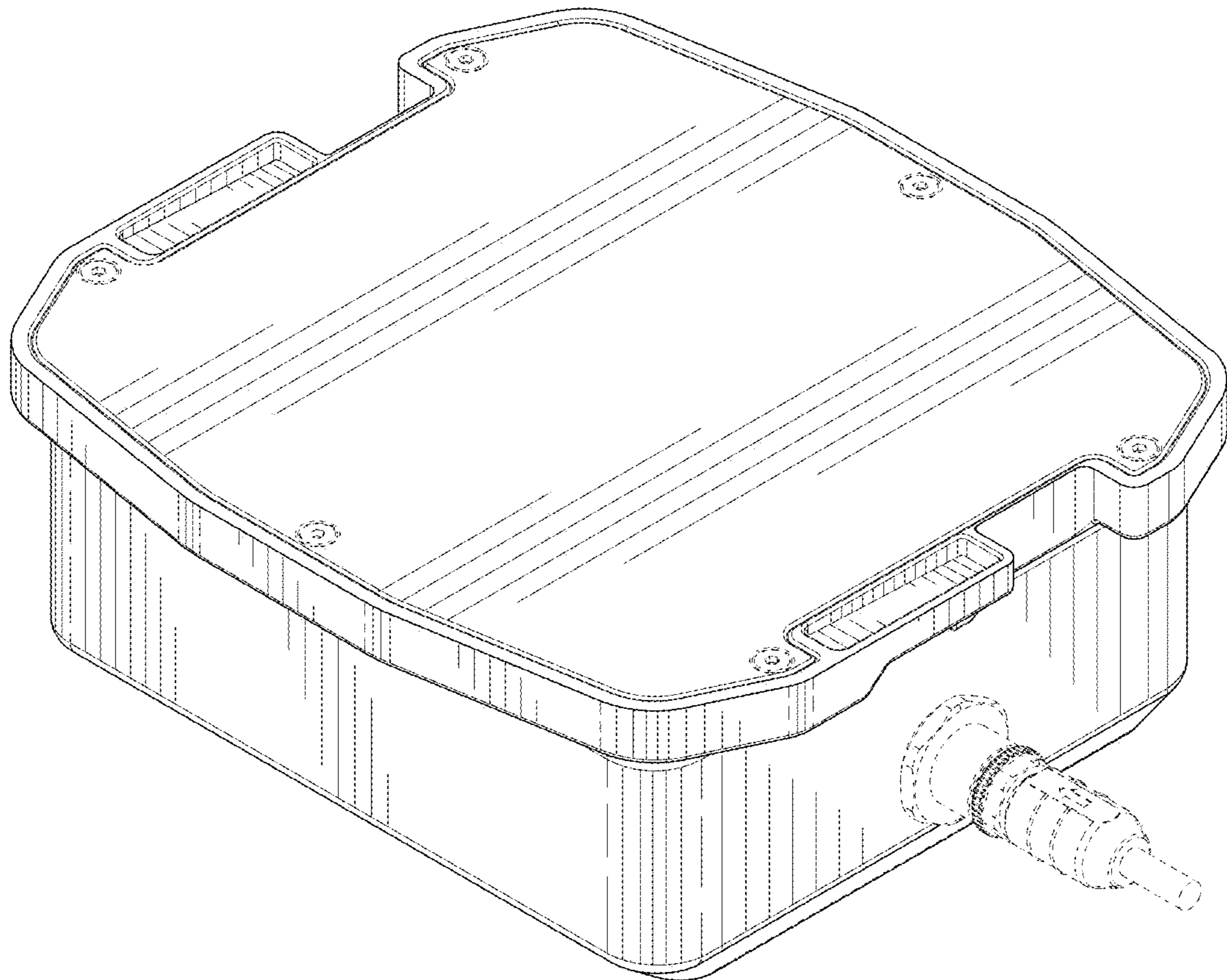


FIG.1

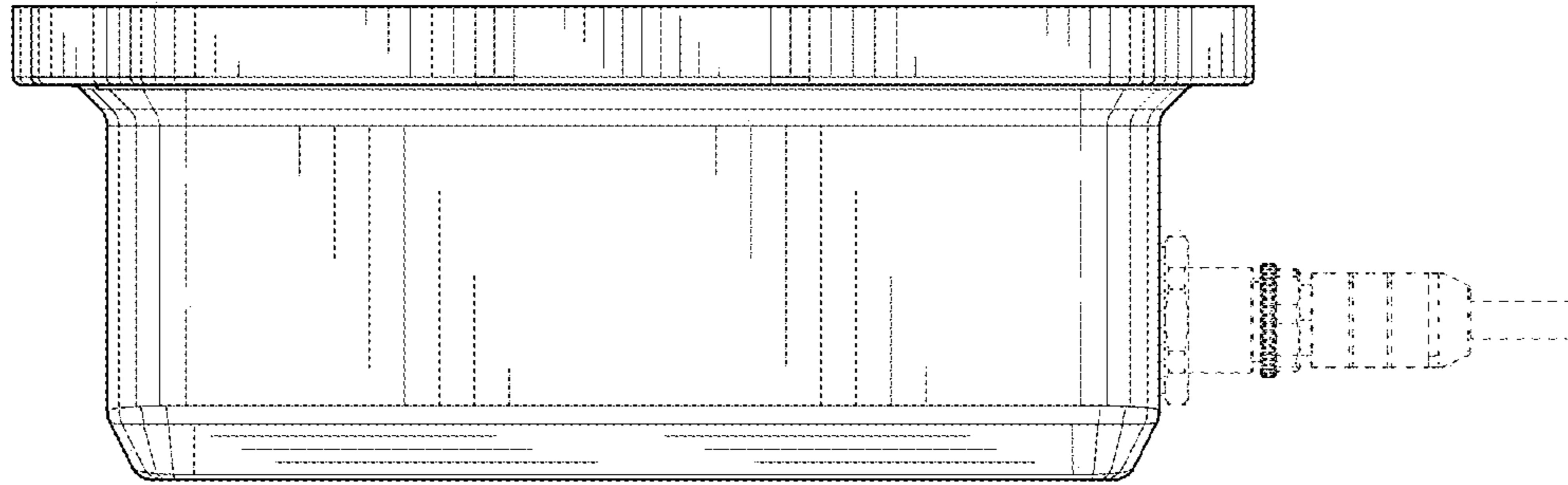


FIG. 2

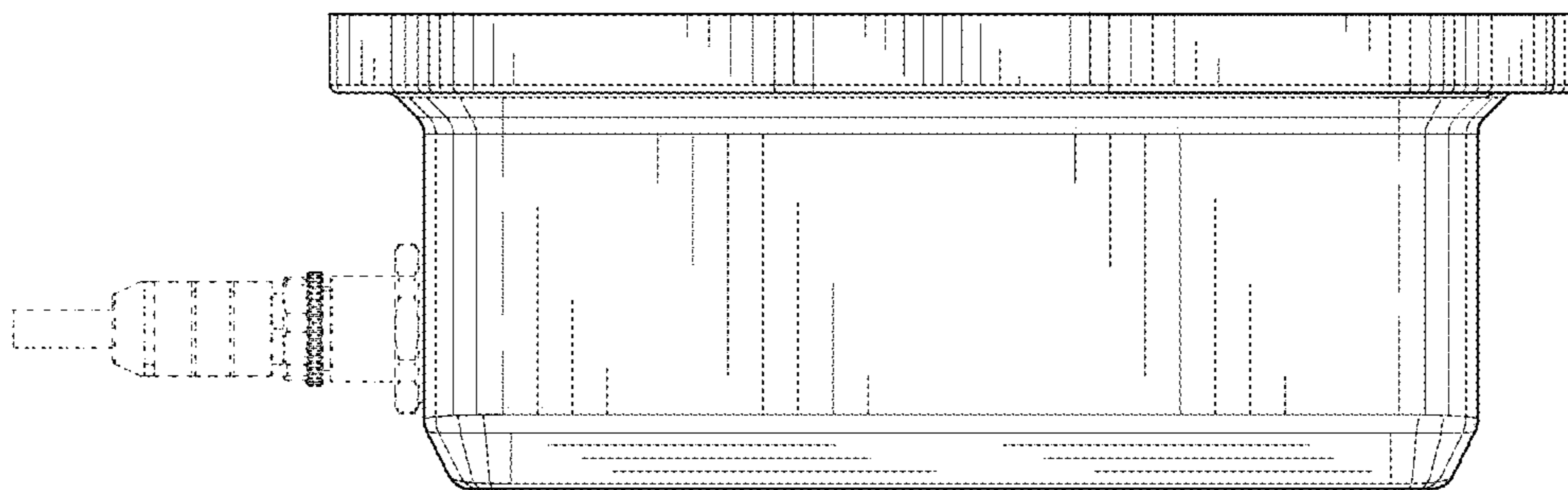


FIG. 3

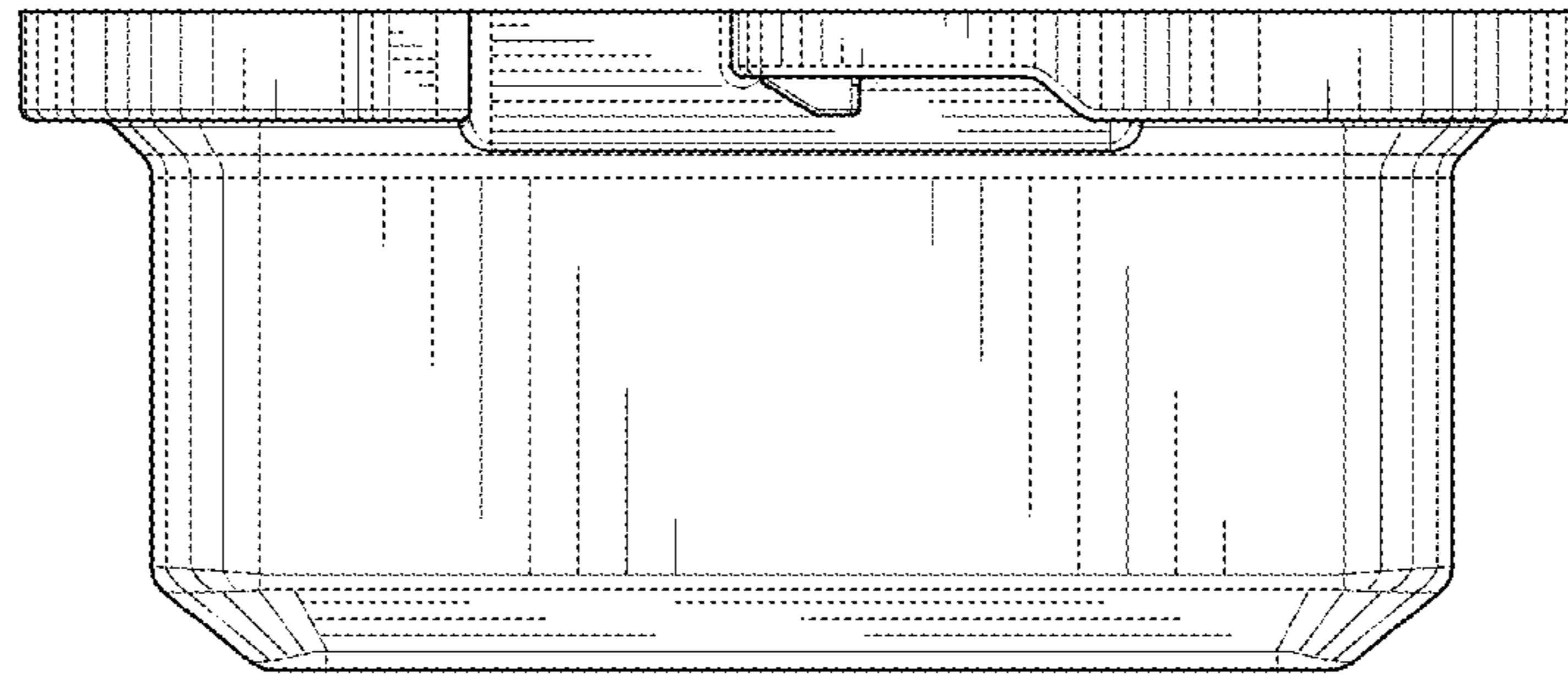


FIG.4

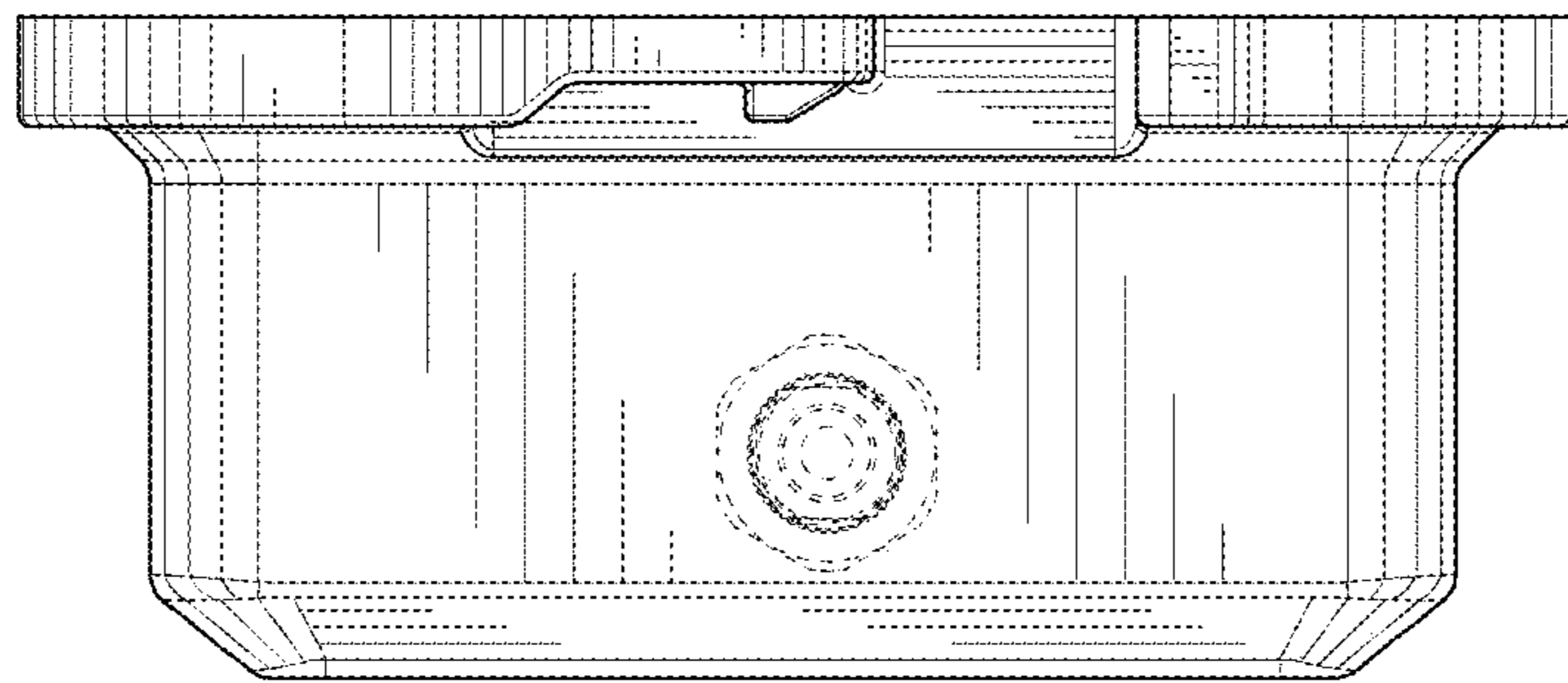


FIG.5

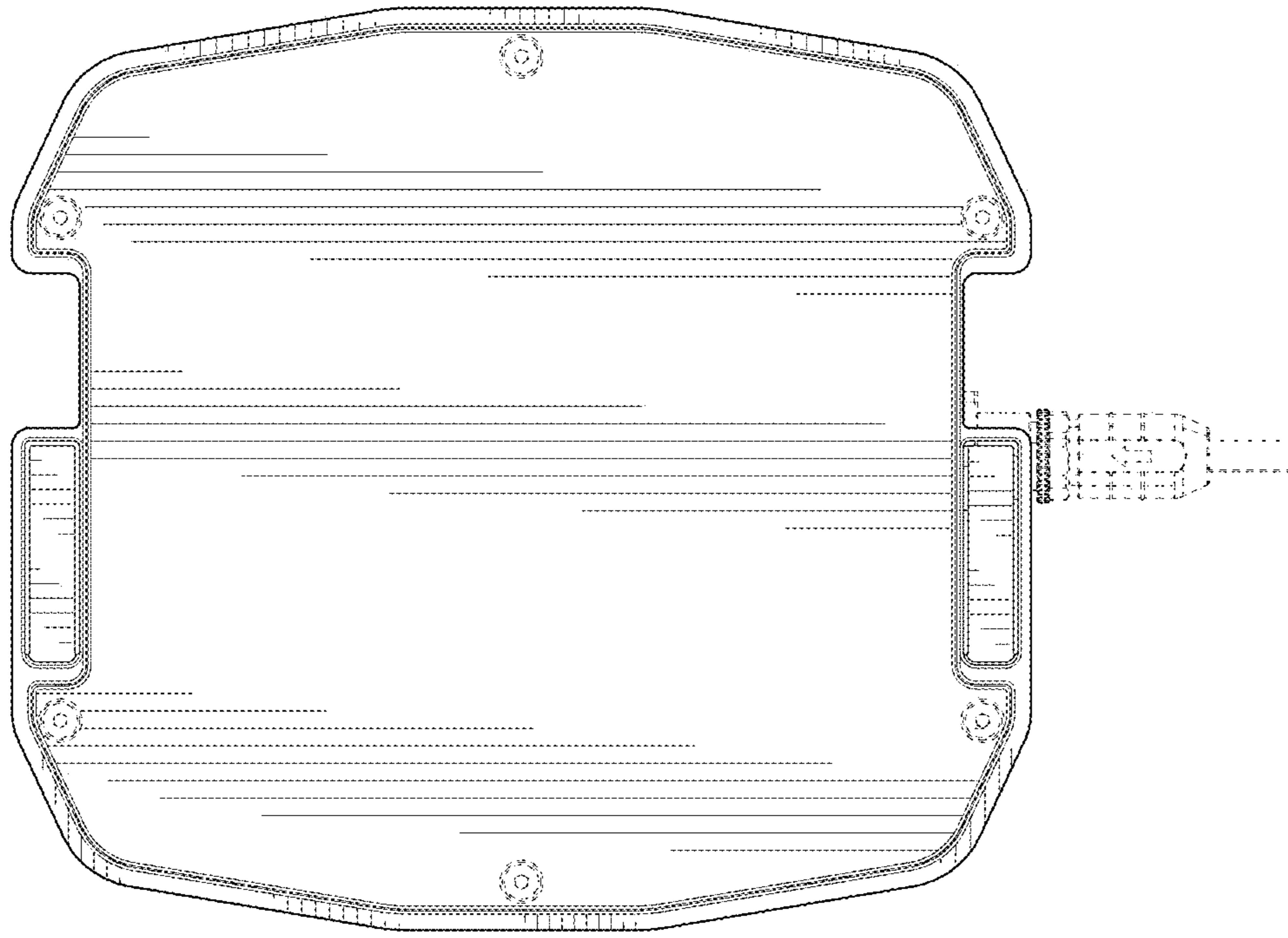


FIG. 6

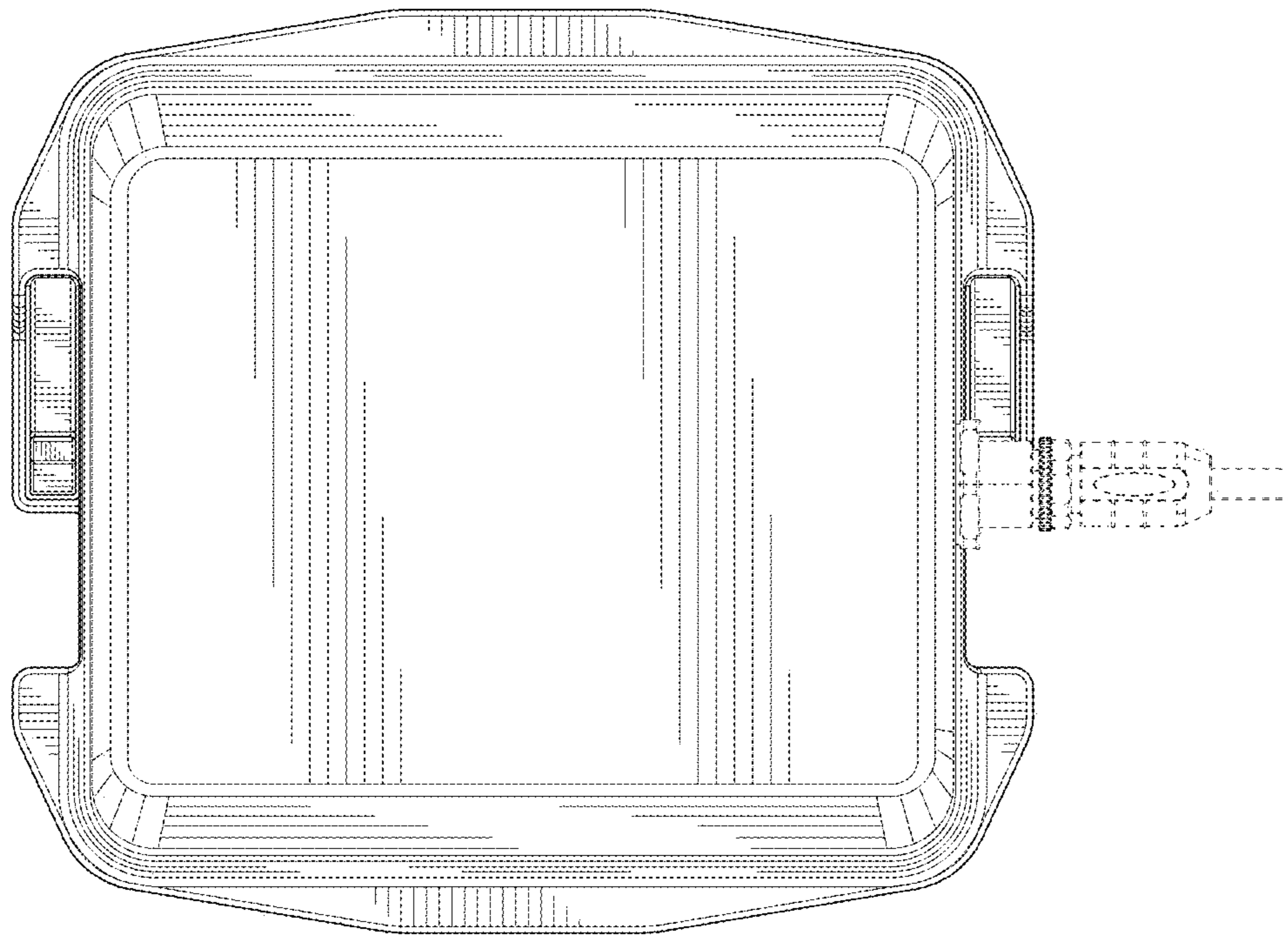


FIG. 7