



US00D924951S

(12) **United States Design Patent** (10) **Patent No.:** **US D924,951 S**  
**Wen et al.** (45) **Date of Patent:** **\*\* Jul. 13, 2021**

(54) **CUTTING TOOL**

(56) **References Cited**

(71) Applicant: **SUMITOMO ELECTRIC HARDMETAL CORP.**, Itami (JP)  
(72) Inventors: **Yifan Wen**, Itami (JP); **Yosuke Shimamoto**, Itami (JP); **Naoya Tsuda**, Itami (JP)  
(73) Assignee: **SUMITOMO ELECTRIC HARDMETAL CORP.**, Itami (JP)  
(\*\*) Term: **15 Years**  
(21) Appl. No.: **29/753,940**  
(22) Filed: **Oct. 5, 2020**

U.S. PATENT DOCUMENTS

3,785,021 A	1/1974	Norgren	
4,083,644 A	4/1978	Friedline	
4,340,325 A	7/1982	Gowanlock	
D270,059 S	8/1983	Wilkins	
D271,497 S	11/1983	Green	
D275,760 S	10/1984	Cochran	
4,580,930 A	4/1986	Zinner	
D311,194 S	10/1990	Mihic	
D311,747 S	10/1990	Mihic	
D317,392 S	6/1991	Mihic	
D321,632 S	11/1991	Mihic	
D329,439 S	9/1992	Gustafsson et al.	
D338,477 S	8/1993	Mihic	
D558,802 S	1/2008	Nicholas	
8,079,785 B2	12/2011	Nicholas	
D666,640 S	9/2012	Cox et al.	
D910,095 S *	2/2021	Wen	D15/139

\* cited by examiner

**Related U.S. Application Data**

(62) Division of application No. 29/688,736, filed on Apr. 24, 2019, now Pat. No. Des. 910,095.

*Primary Examiner* — Patricia A Palasik

(74) *Attorney, Agent, or Firm* — Faegre Drinker Biddle & Reath LLP

(30) **Foreign Application Priority Data**

Oct. 29, 2018	(JP)	2018-023707
Oct. 29, 2018	(JP)	2018-023708
Oct. 29, 2018	(JP)	2018-023709
Oct. 29, 2018	(JP)	2018-023710

(57) **CLAIM**

The ornamental design for a cutting tool, as shown and described.

(51) **LOC (13) Cl.** ..... **15-09**

(52) **U.S. Cl.**  
USPC ..... **D15/139**

**DESCRIPTION**

(58) **Field of Classification Search**

USPC .... D8/20, 70; D15/123, 124, 126, 131, 138, D15/139  
CPC ..... B23B 27/14; B23B 27/22; B23B 27/045; B23B 27/141; B23B 27/143; B23B 2200/321; B29B 9/06; B29C 47/0066  
See application file for complete search history.

FIG. 1 is a front view of a cutting tool of the present design; FIG. 2 is a rear view thereof; FIG. 3 is a right side view thereof; FIG. 4 is a left side view thereof; FIG. 5 is a top view thereof; FIG. 6 is a bottom view thereof; FIG. 7 is a first perspective view thereof; FIG. 8 is a second perspective view thereof; FIG. 9 is a third perspective view thereof; FIG. 10 is a fourth perspective view thereof; and, FIG. 11 is a fifth perspective view thereof.

**1 Claim, 6 Drawing Sheets**

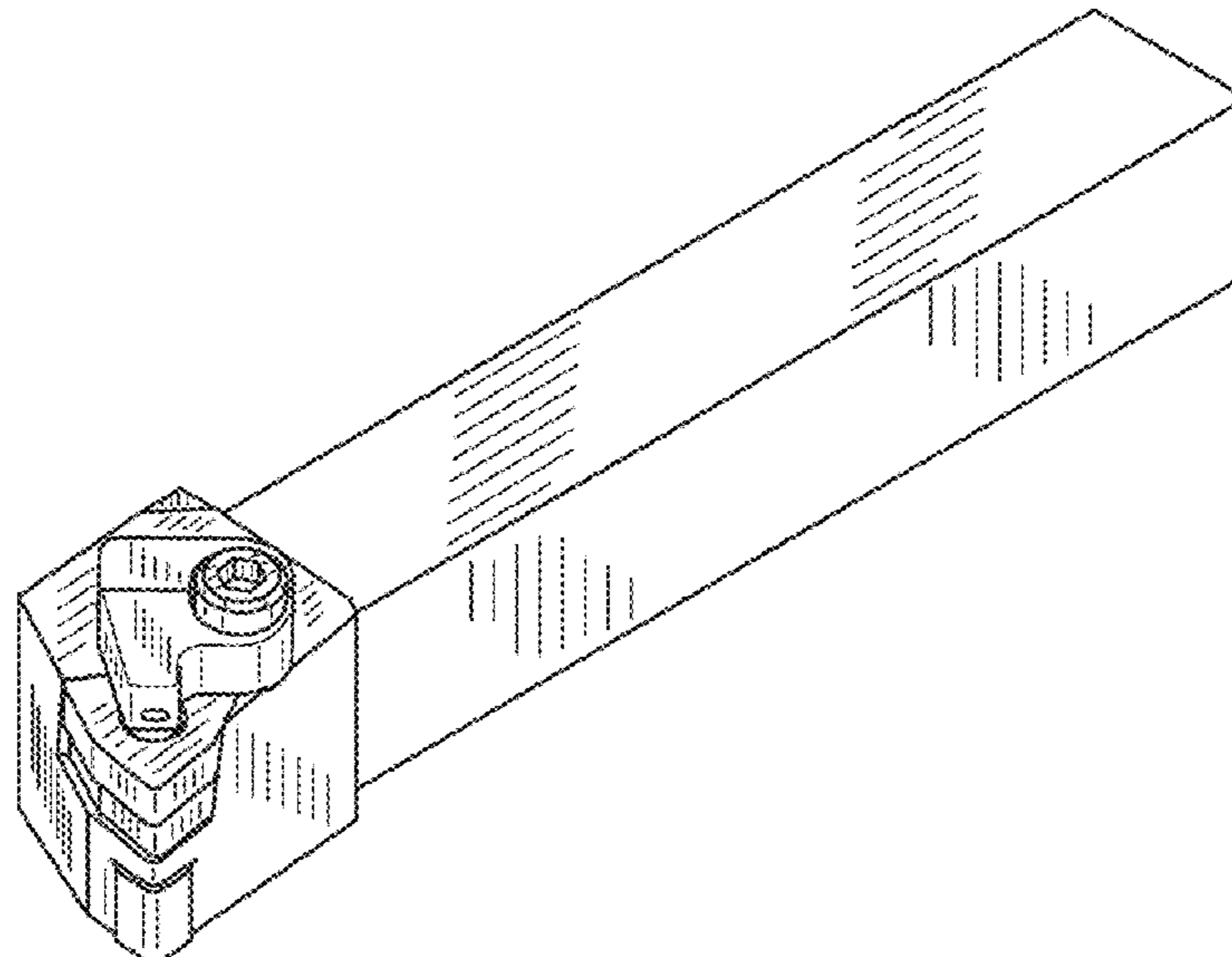


FIG. 1

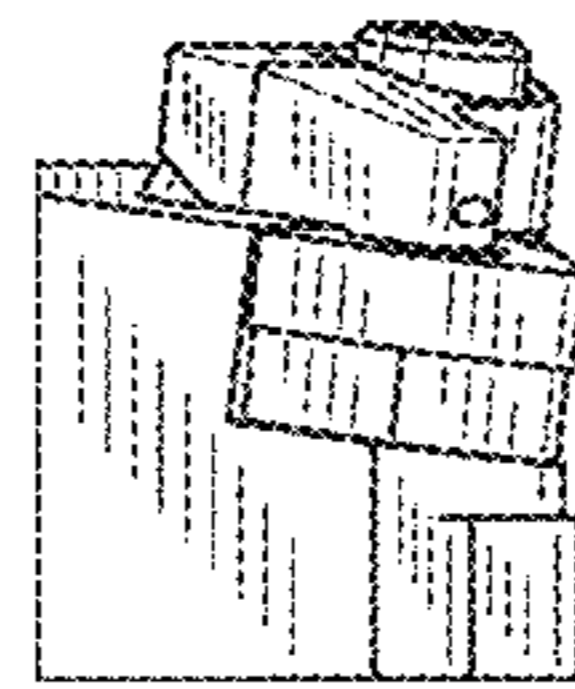


FIG. 2

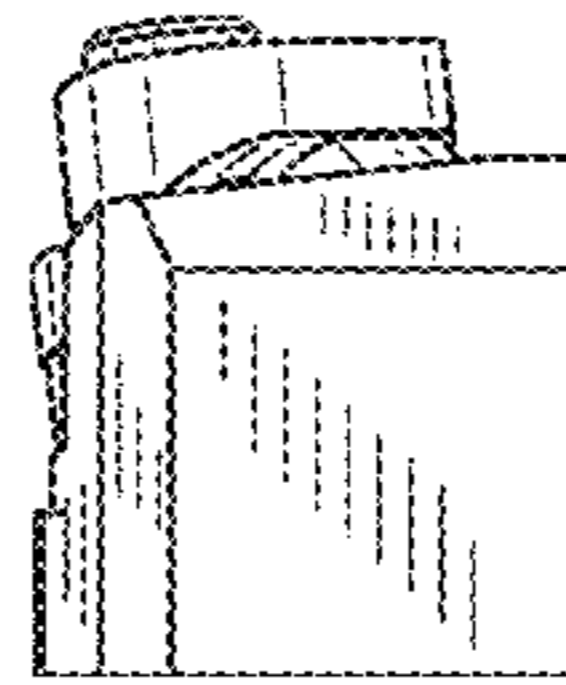


FIG. 3



FIG. 4

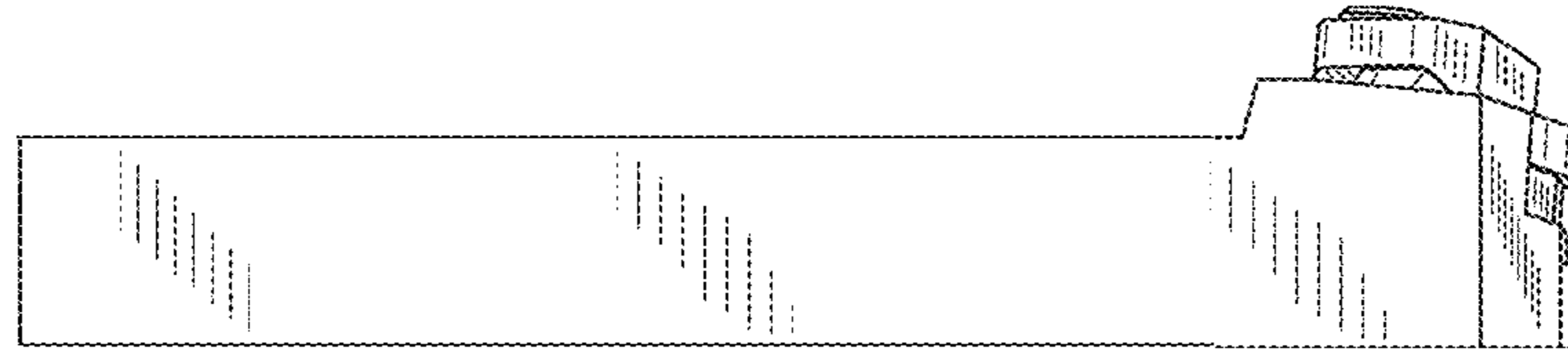


FIG. 5



FIG. 6

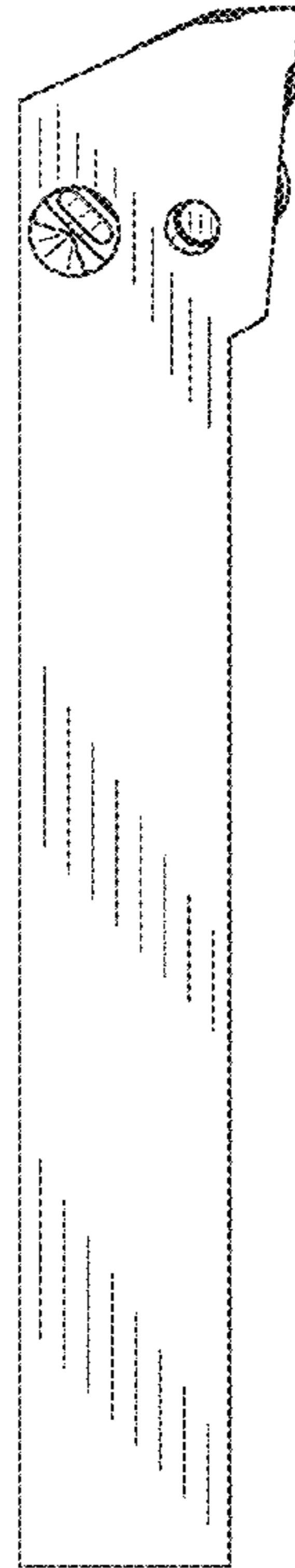


FIG. 7

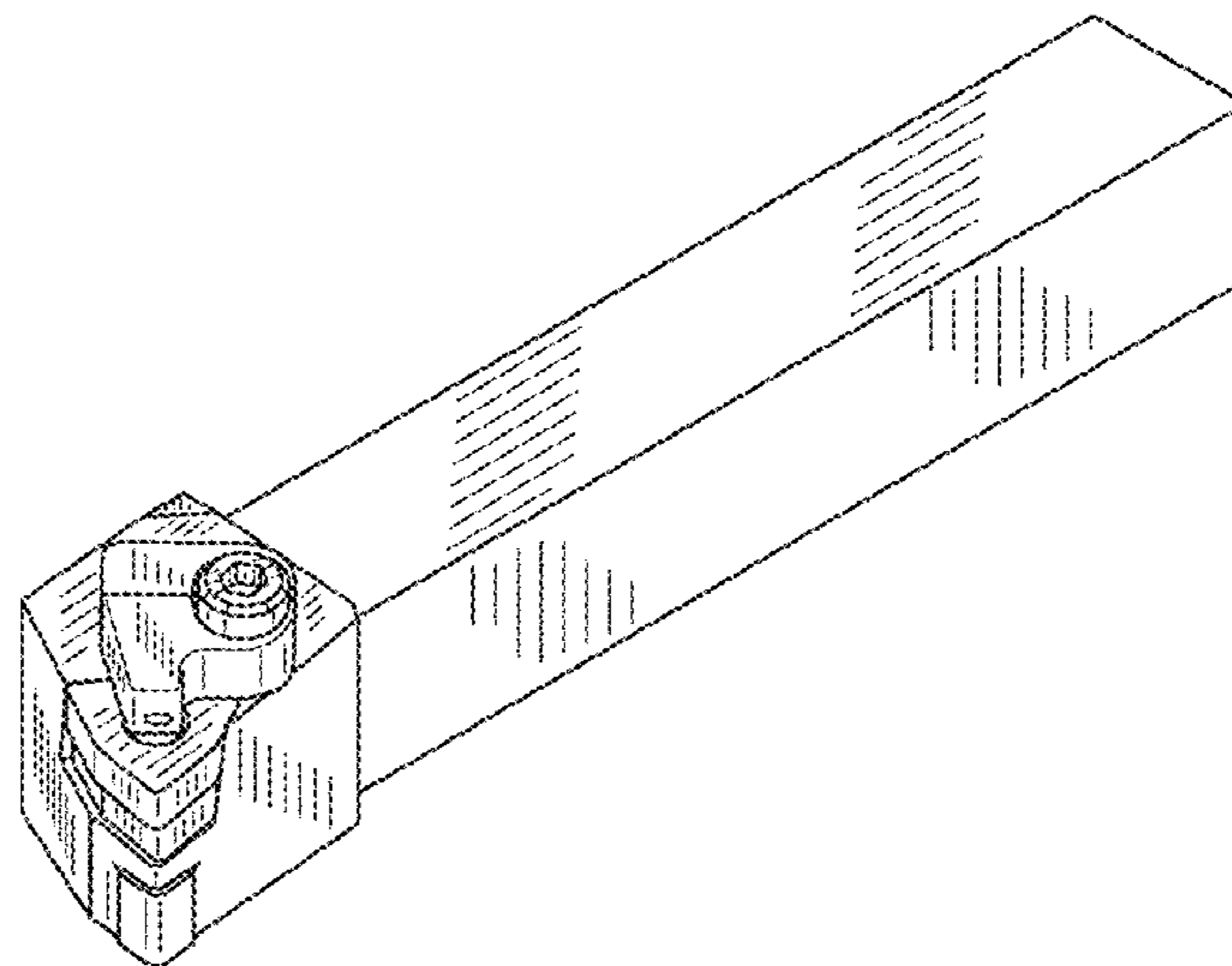


FIG. 8

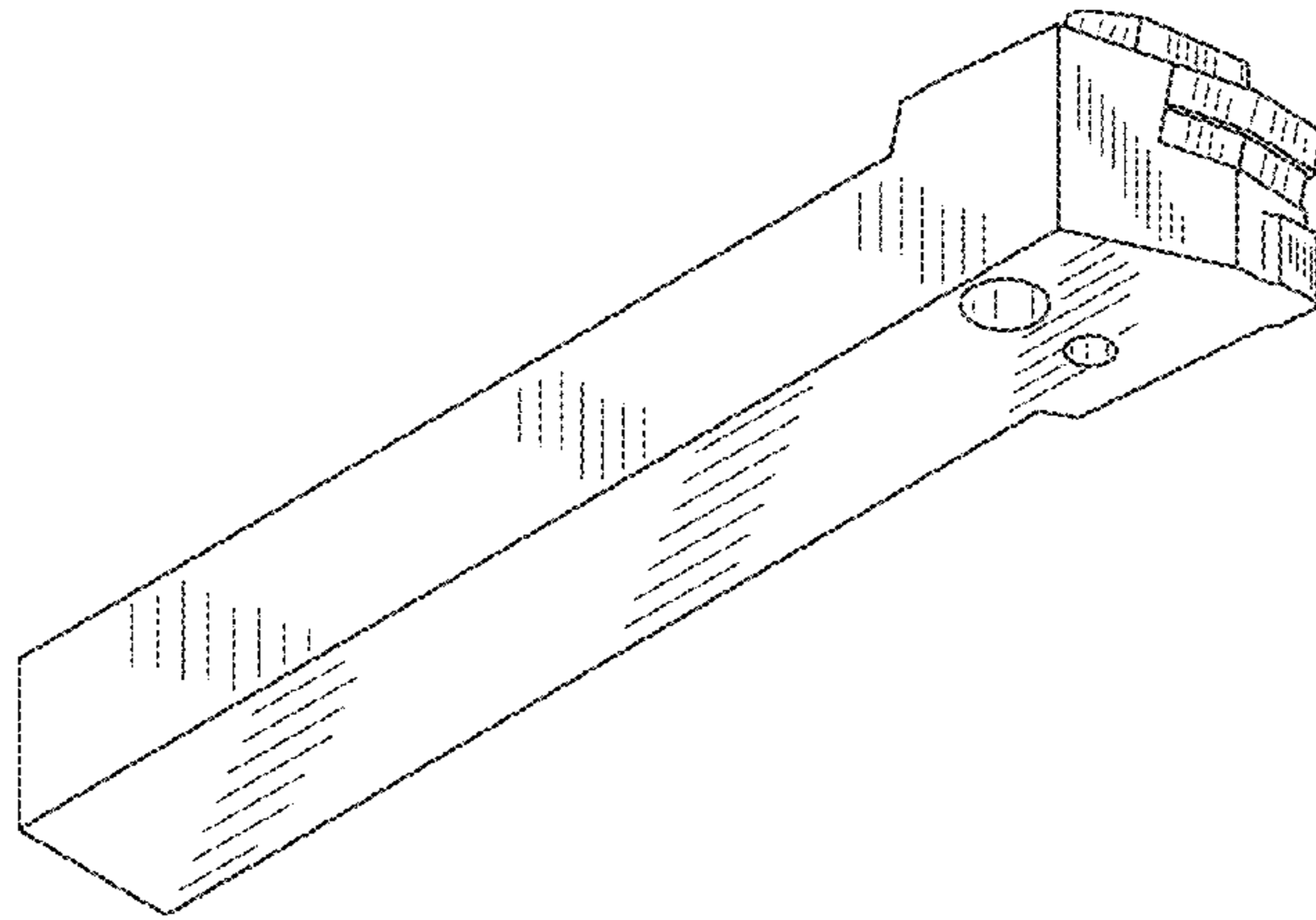


FIG. 9

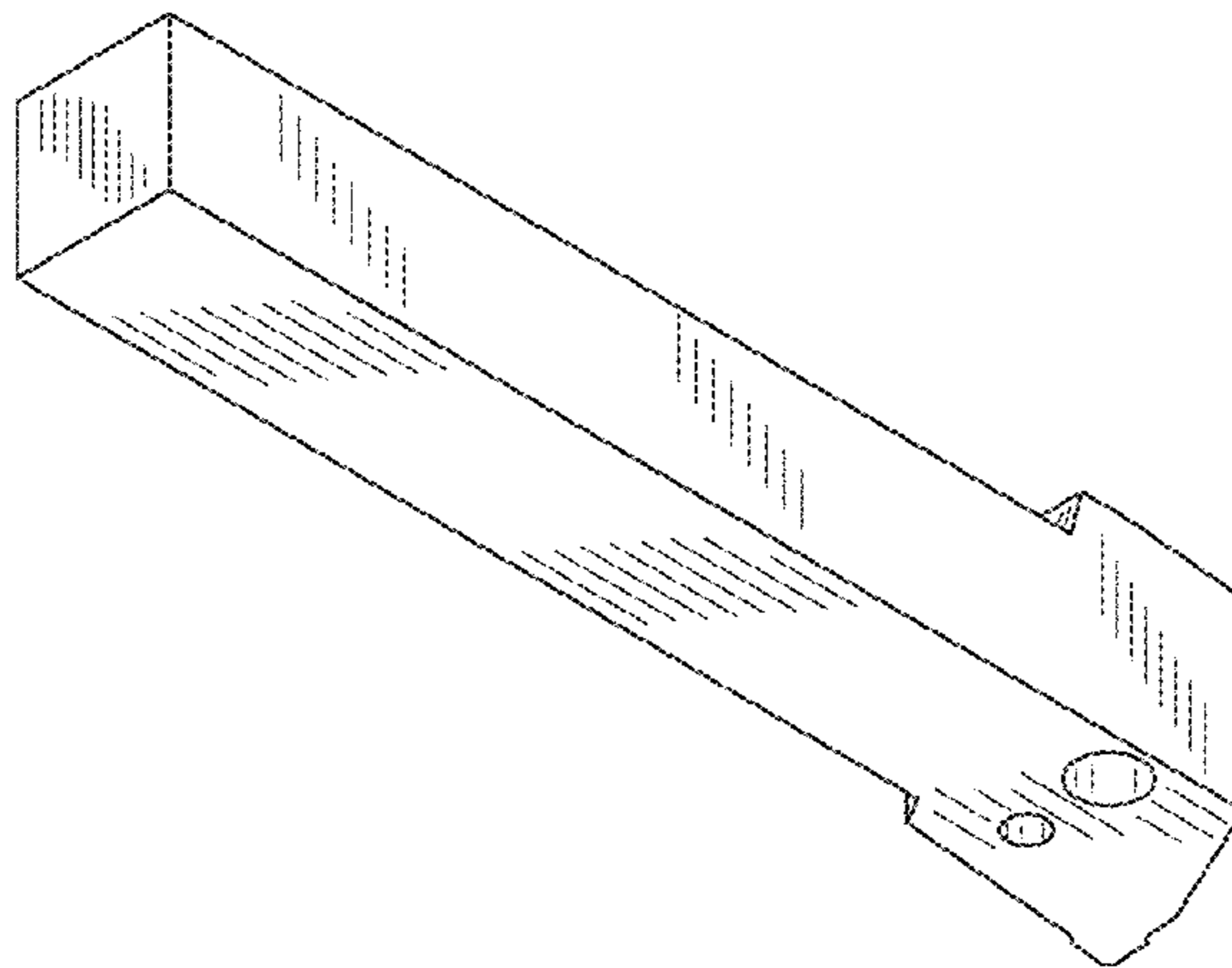


FIG. 10

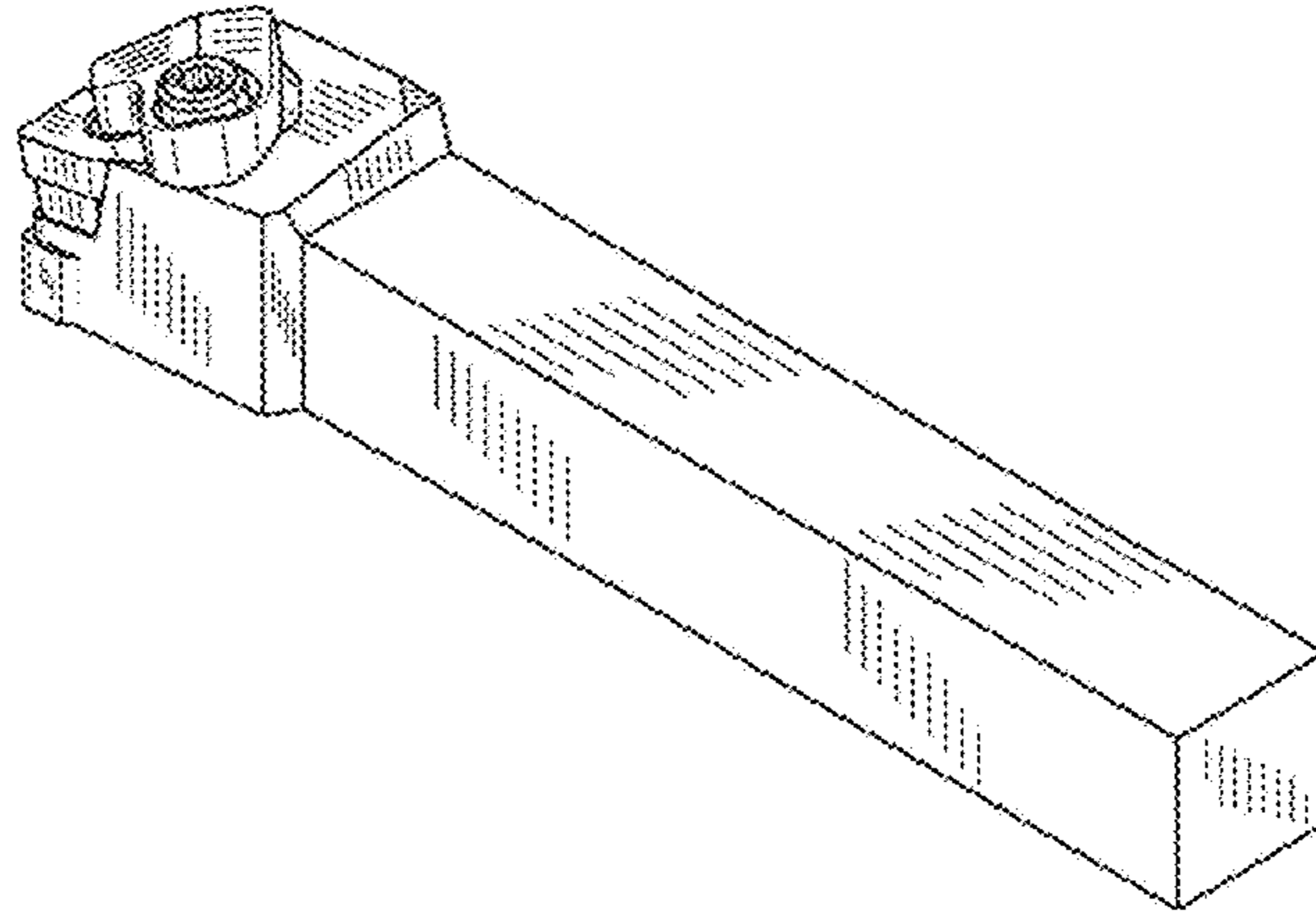


FIG. 11

