

US00D924948S

(12) **United States Design Patent**  
**Sohm et al.**

(10) **Patent No.:** **US D924,948 S**  
(45) **Date of Patent:** **\*\* Jul. 13, 2021**

- (54) **TOOL CHANGER**
- (71) Applicant: **Walter Meier (Fertigungslösungen)**  
**AG, Schwerzenbach (CH)**
- (72) Inventors: **Herbert Sohm, Schwerzenbach (CH);**  
**Renato Wenzin, Schwerzenbach (CH)**
- (\*\*) Term: **15 Years**
- (21) Appl. No.: **35/509,221**
- (22) Filed: **Oct. 29, 2019**
- (80) **Hague Agreement Data**  
Int. Filing Date: **Oct. 29, 2019**  
Int. Reg. No.: **DM/204624**  
Int. Reg. Date: **Oct. 29, 2019**  
Int. Reg. Pub. Date: **May 1, 2020**
- (51) **LOC (13) Cl.** ..... **15-09**
- (52) **U.S. Cl.**  
USPC ..... **D15/138; D8/70**  
CPC ..... **B23Q 3/15722 (2016.11)**
- (58) **Field of Classification Search**  
USPC .... **D15/124, 126, 138, 199; D8/70, 71, 354,**  
**D8/394; 29/568, 740; 483/59, 69, 16**  
CPC ..... **B23Q 3/15722; B23Q 17/2457; B23Q**  
**17/2461; B23Q 17/2466; G05B 19/4187;**  
**G05B 2219/50264; G05B 2219/50249**  
See application file for complete search history.

- (56) **References Cited**  
**U.S. PATENT DOCUMENTS**  
4,355,446 A \* 10/1982 Shimajiri ..... B23B 39/205  
29/26 A  
4,679,296 A \* 7/1987 Watanabe ..... B23B 39/205  
29/26 A  
4,706,371 A \* 11/1987 McMurtry ..... B23Q 3/15706  
483/14  
4,813,122 A \* 3/1989 Watanabe ..... B23B 39/205  
29/26 A

- D500,510 S \* 1/2005 Annis ..... D15/199
- D621,859 S \* 8/2010 Yellin ..... D15/140
- 8,951,176 B2 \* 2/2015 Sgarabottolo ..... B23Q 3/15706  
483/55
- D765,157 S \* 8/2016 Matsumoto ..... D15/138
- D822,727 S \* 7/2018 Matsumoto ..... D15/138
- 10,759,016 B2 \* 9/2020 Kimura ..... B23Q 17/2409
- 2011/0039670 A1 \* 2/2011 Honegger ..... B23Q 1/012  
483/56
- 2012/0245005 A1 \* 9/2012 Sharma ..... B23Q 3/15746  
483/1
- 2013/0244847 A1 \* 9/2013 Grob ..... B23Q 3/15553  
483/16
- 2014/0018219 A1 \* 1/2014 Dodds ..... B23Q 1/0036  
483/19
- 2015/0119215 A1 \* 4/2015 Chen ..... B23Q 3/1554  
483/67
- 2018/0354085 A1 \* 12/2018 Li ..... B23Q 3/15713

\* cited by examiner

*Primary Examiner* — Richard E Chilcot

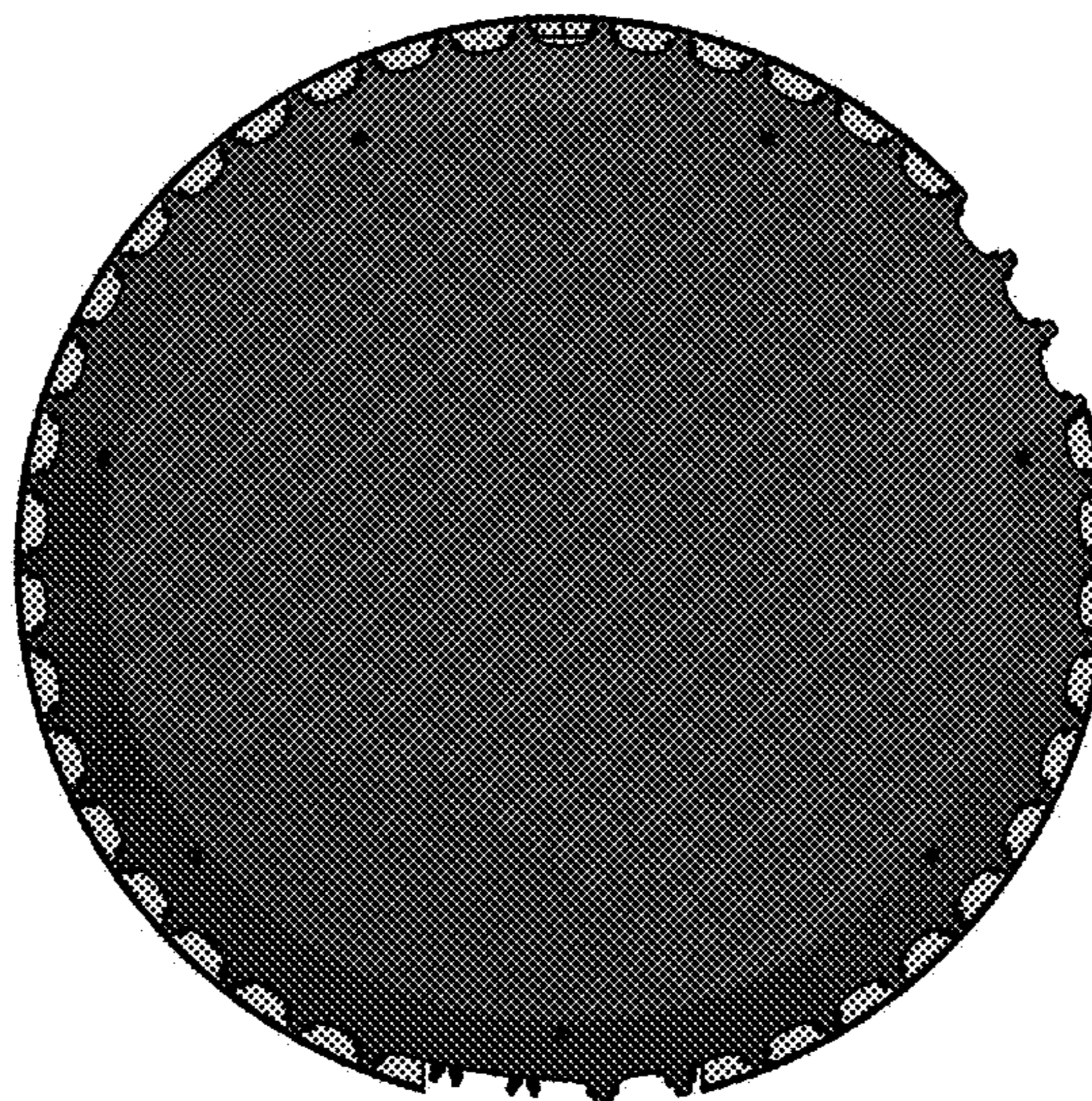
(57) **CLAIM**

The ornamental design for a tool changer, as shown and described.

**DESCRIPTION**

- 1. Tool changer
- 1.1 : Front
- 1.2 : Left
- 1.3 : Right
- 1.4 : Top
- 1.5 : Bottom
- 1.6 : Top left view
- 1.7 : Top right view
- 1.8 : Bottom left view
- 1.9 : Bottom right view
- 1.10 : Back
- 1.11 : Back top left view
- 1.12 : Back top right view
- 1.13 : Back bottom left view
- 1.14 : Back bottom right view

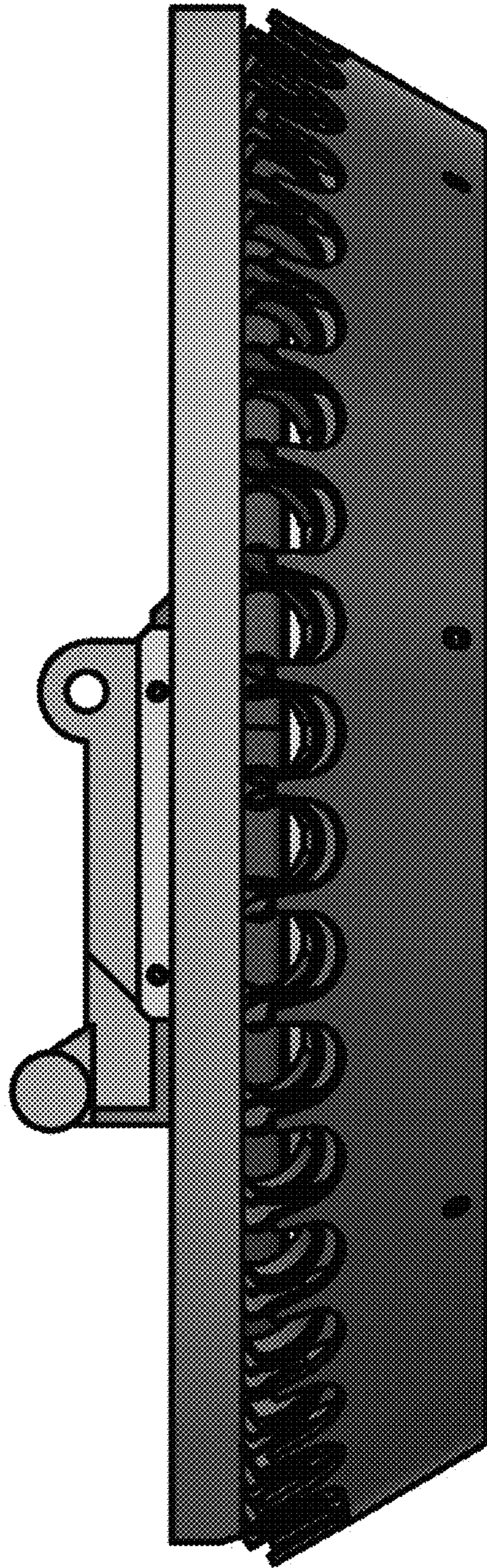
**1 Claim, 14 Drawing Sheets**



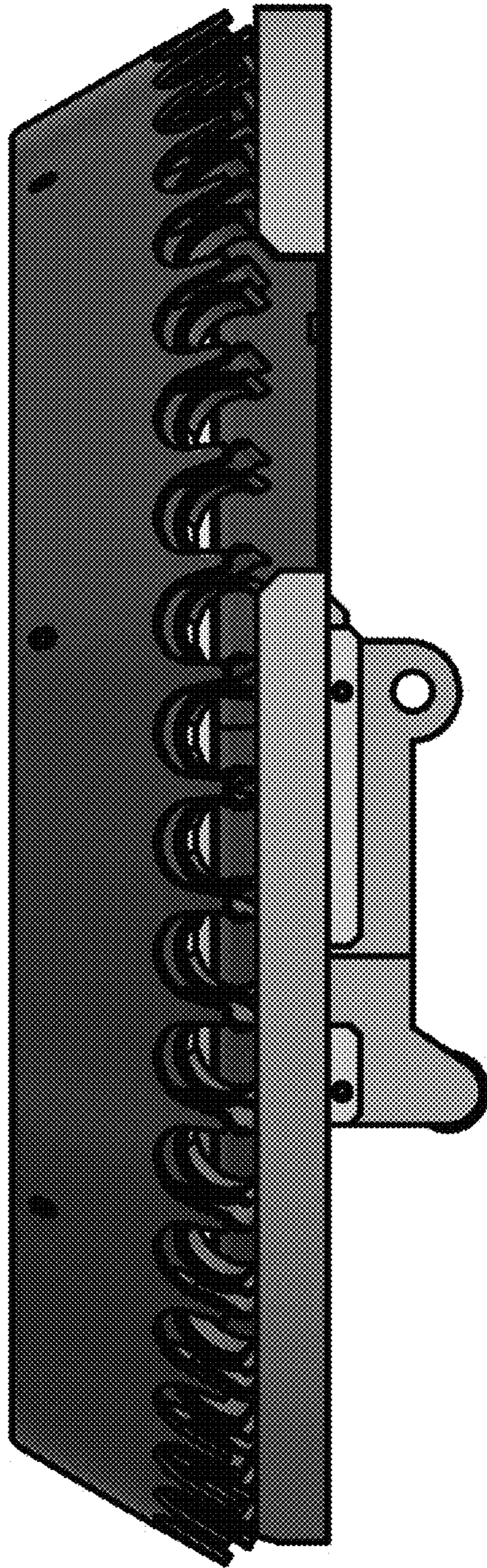
1.1



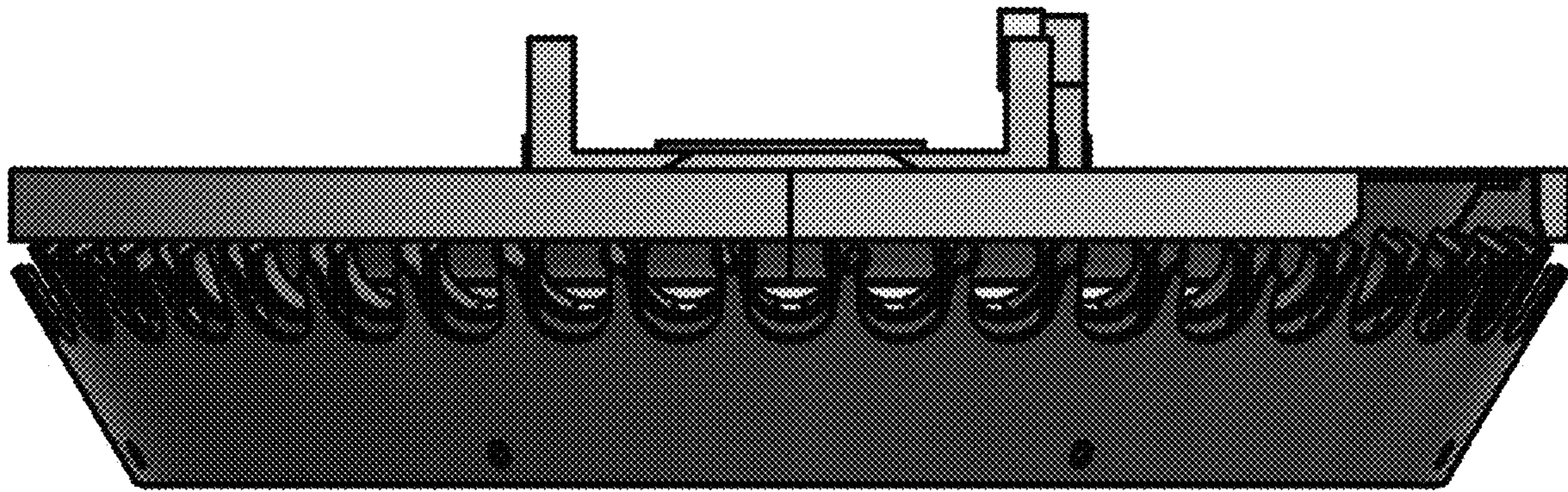
1.2



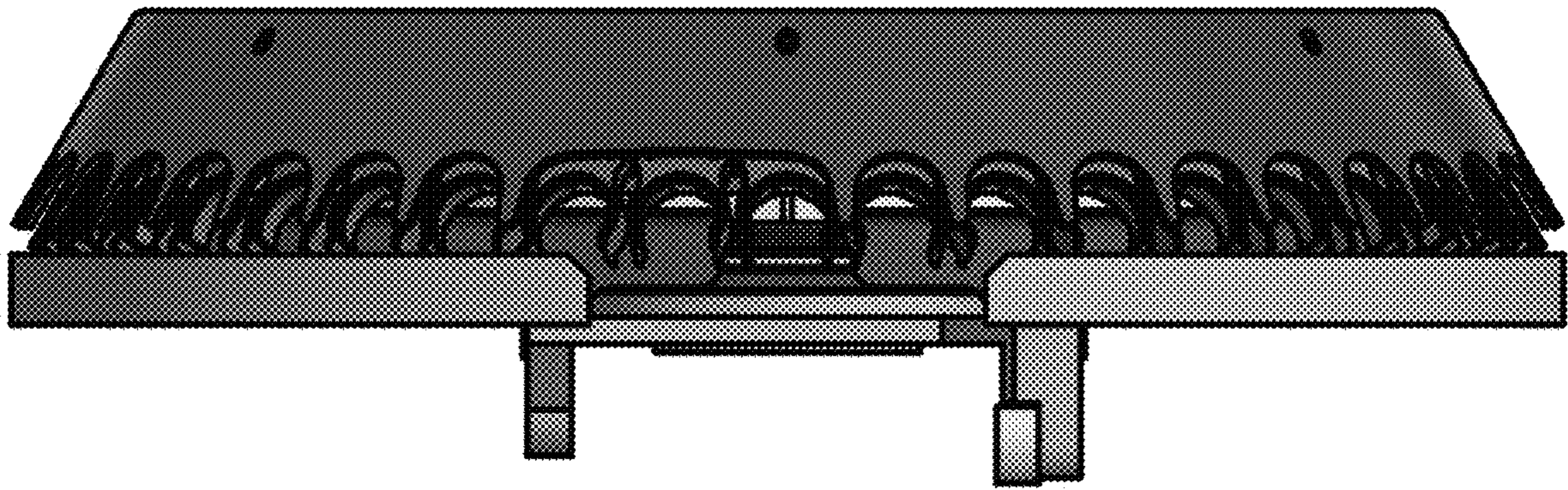
1.3



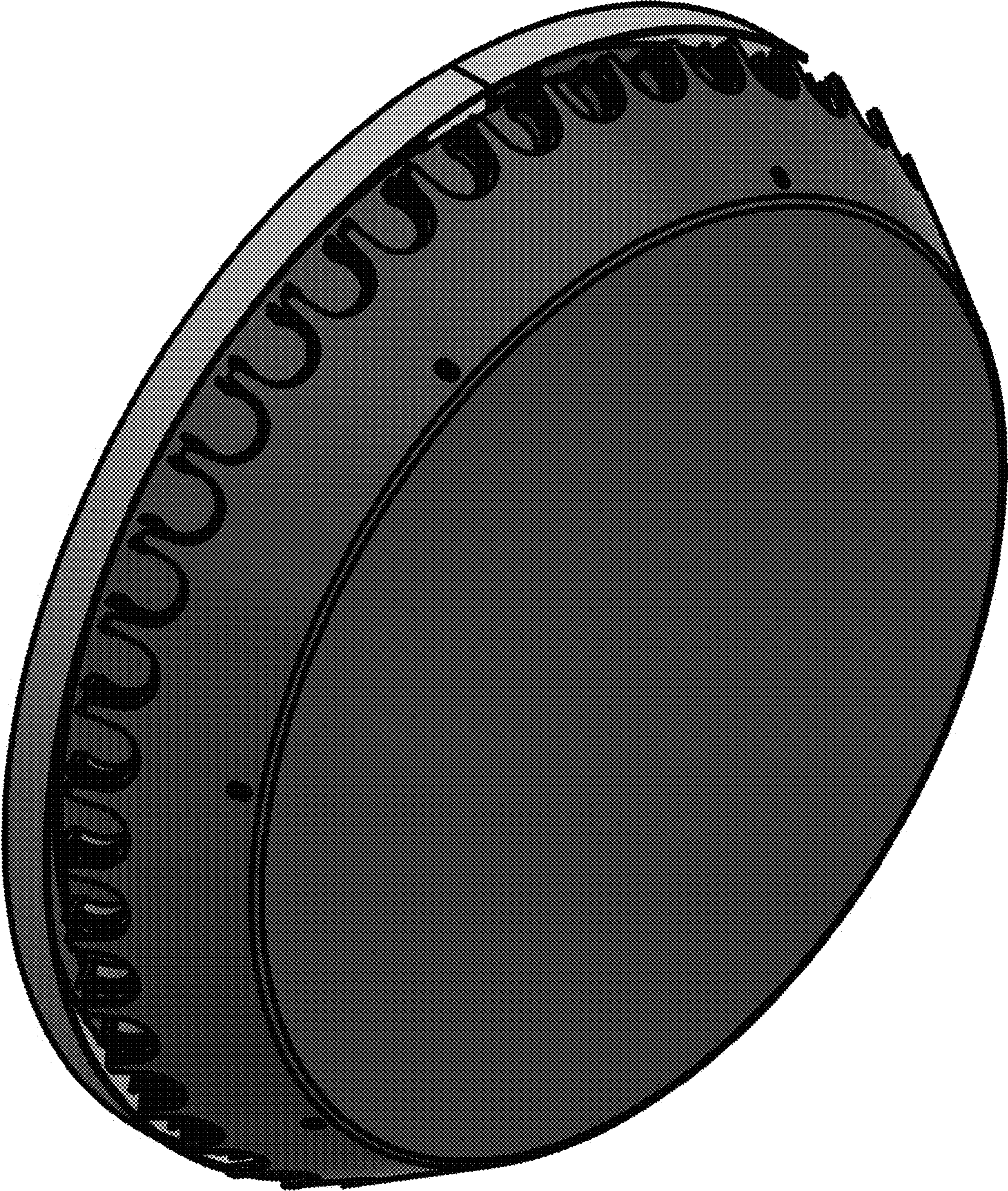
1.4



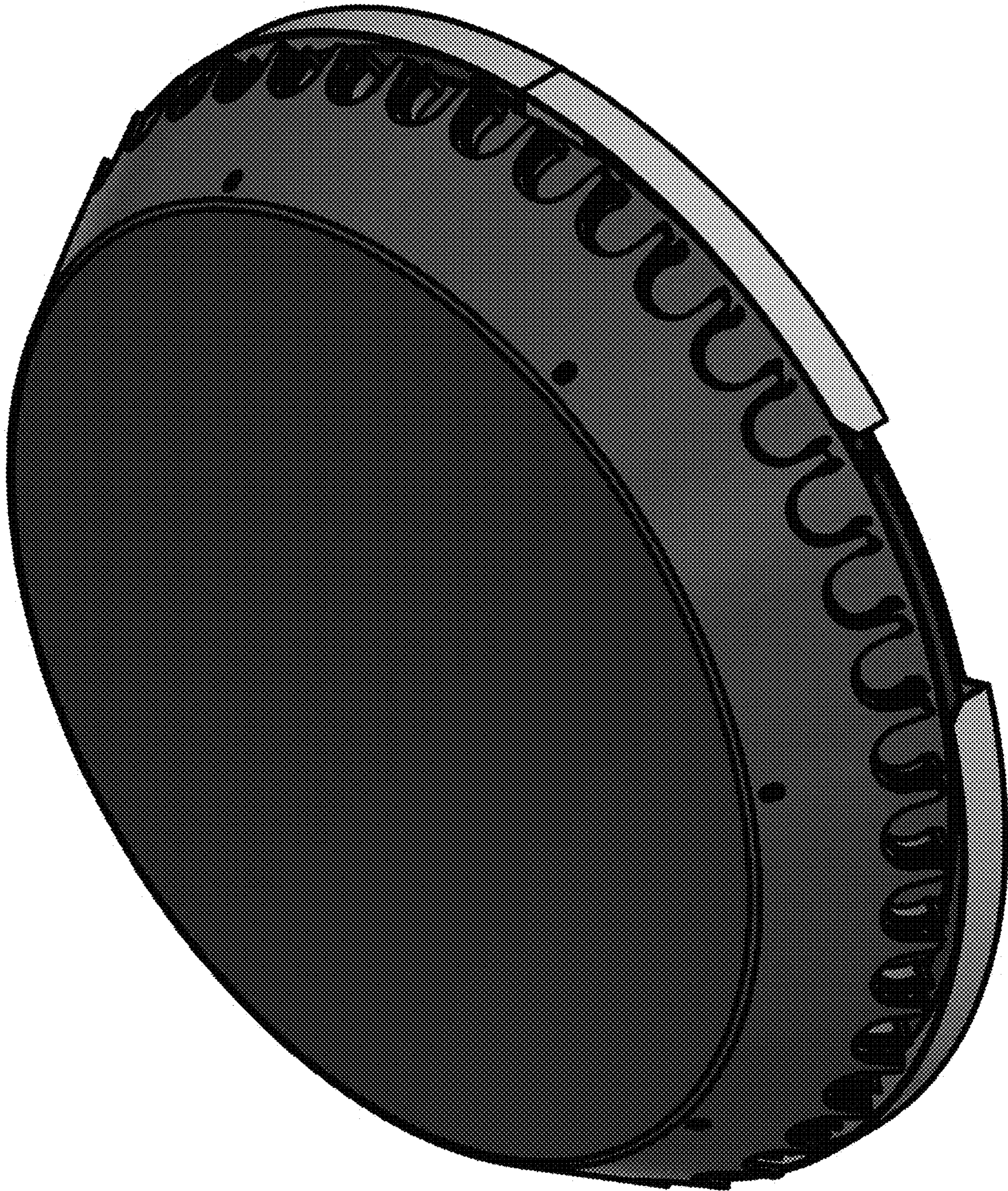
1.5



1.6

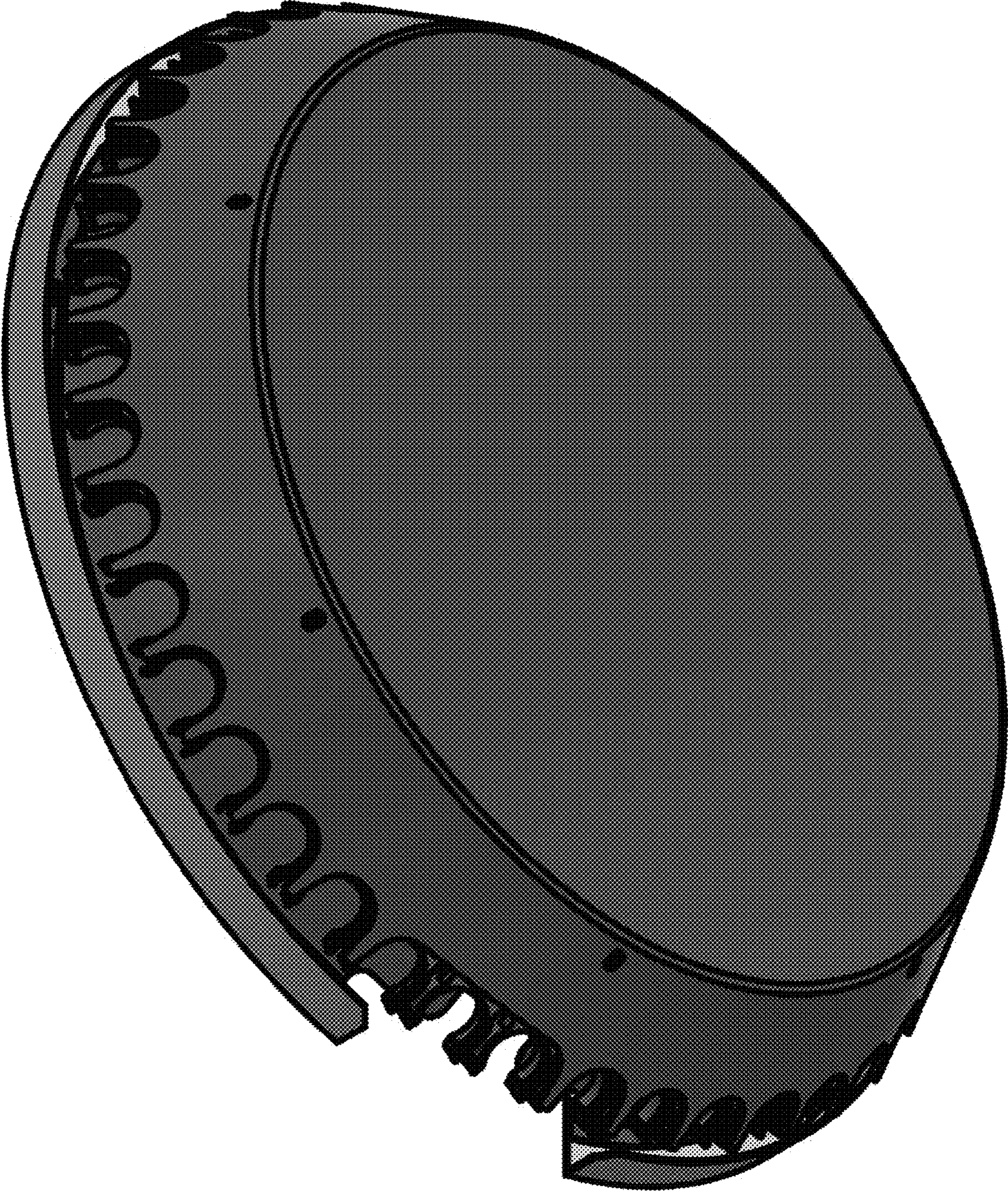


1.7

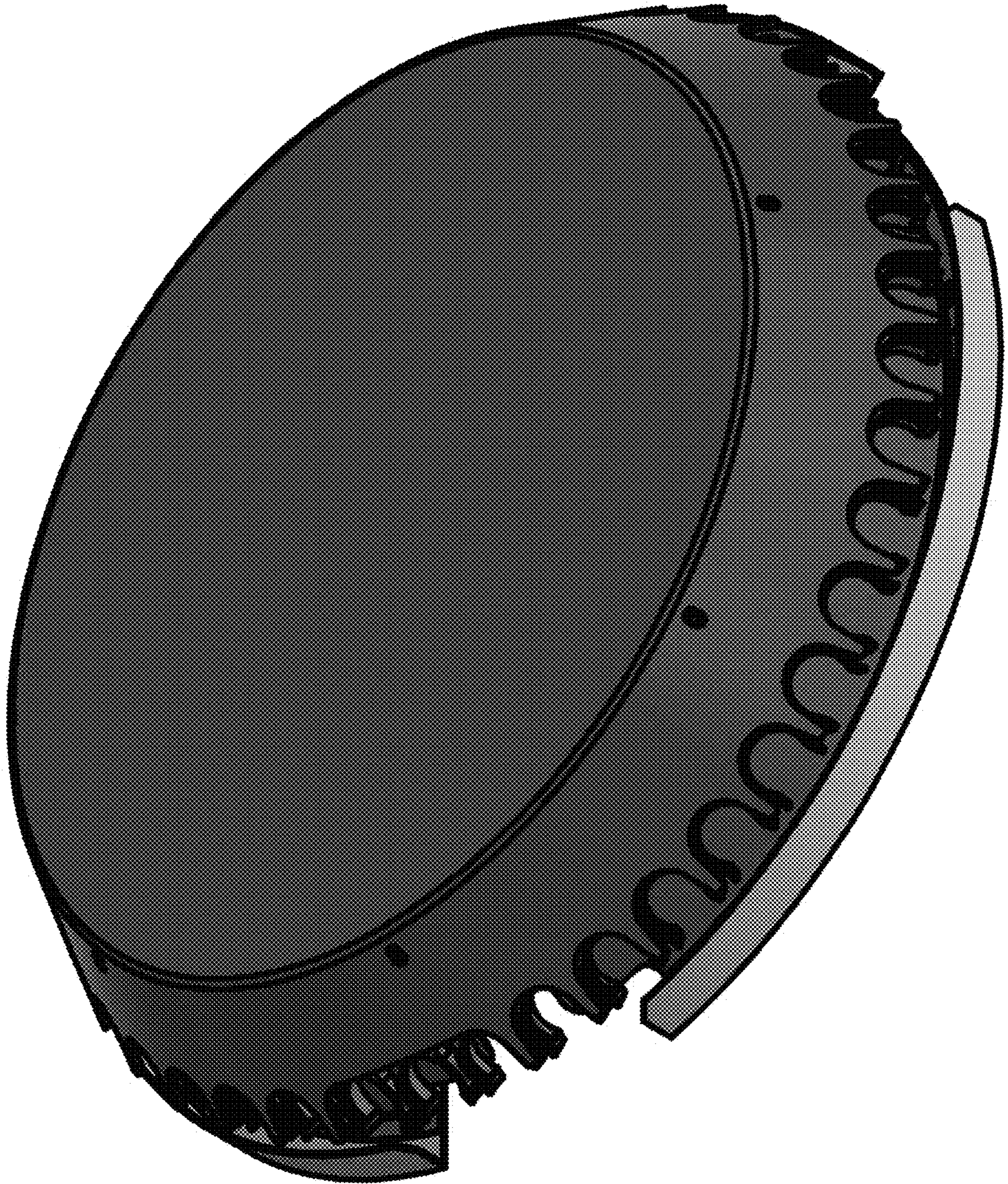




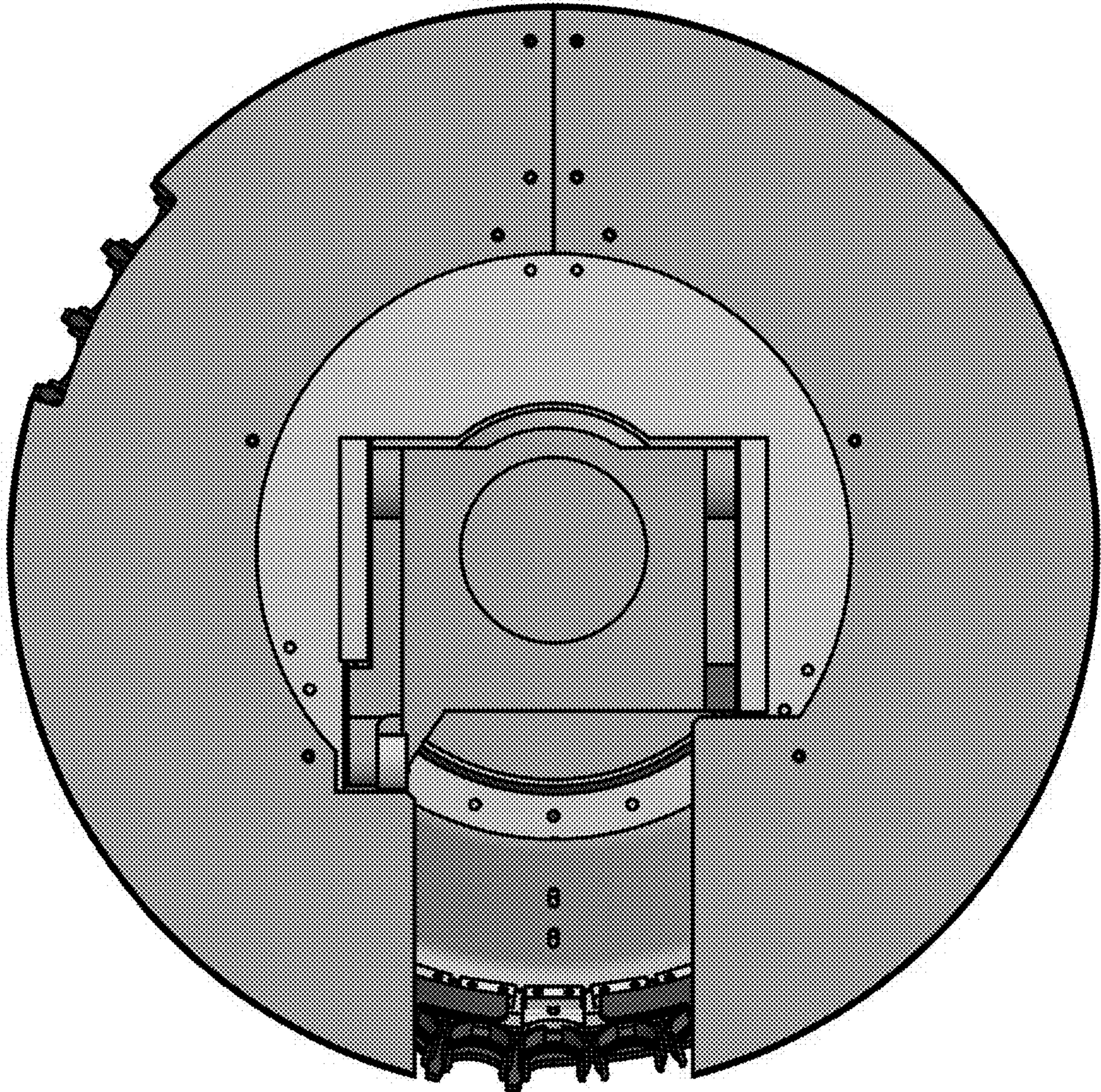
1.8



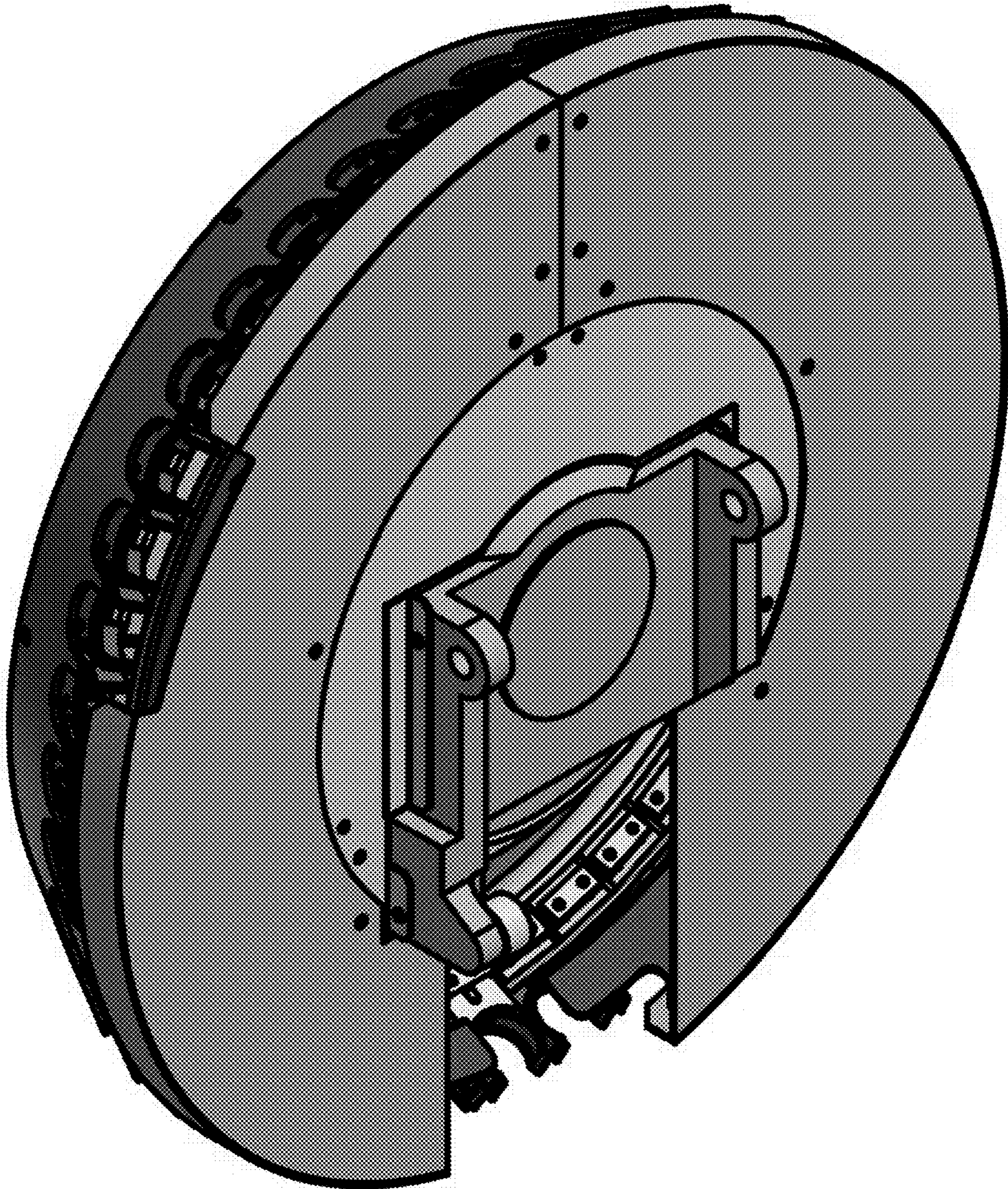
1.9



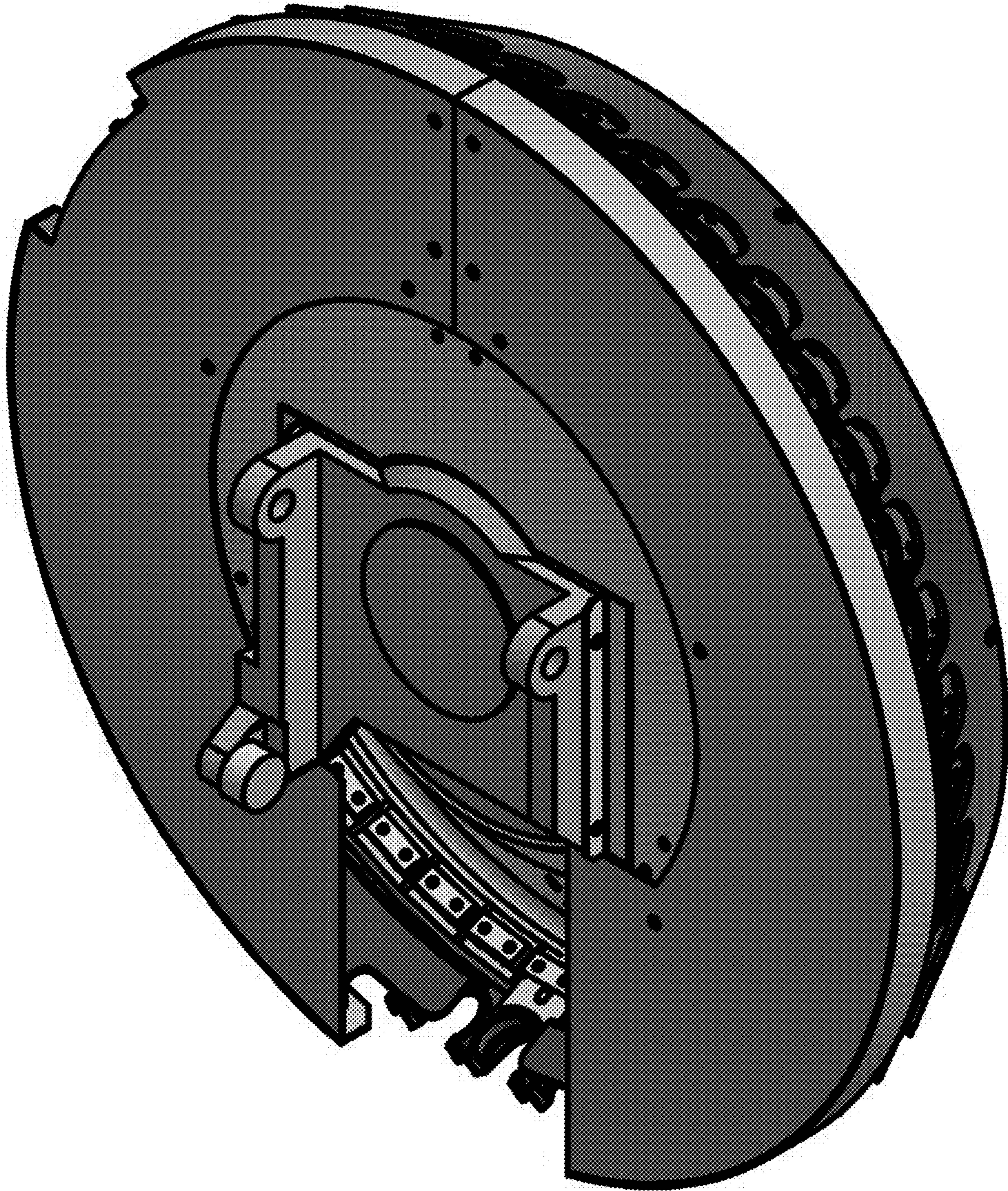
1.10



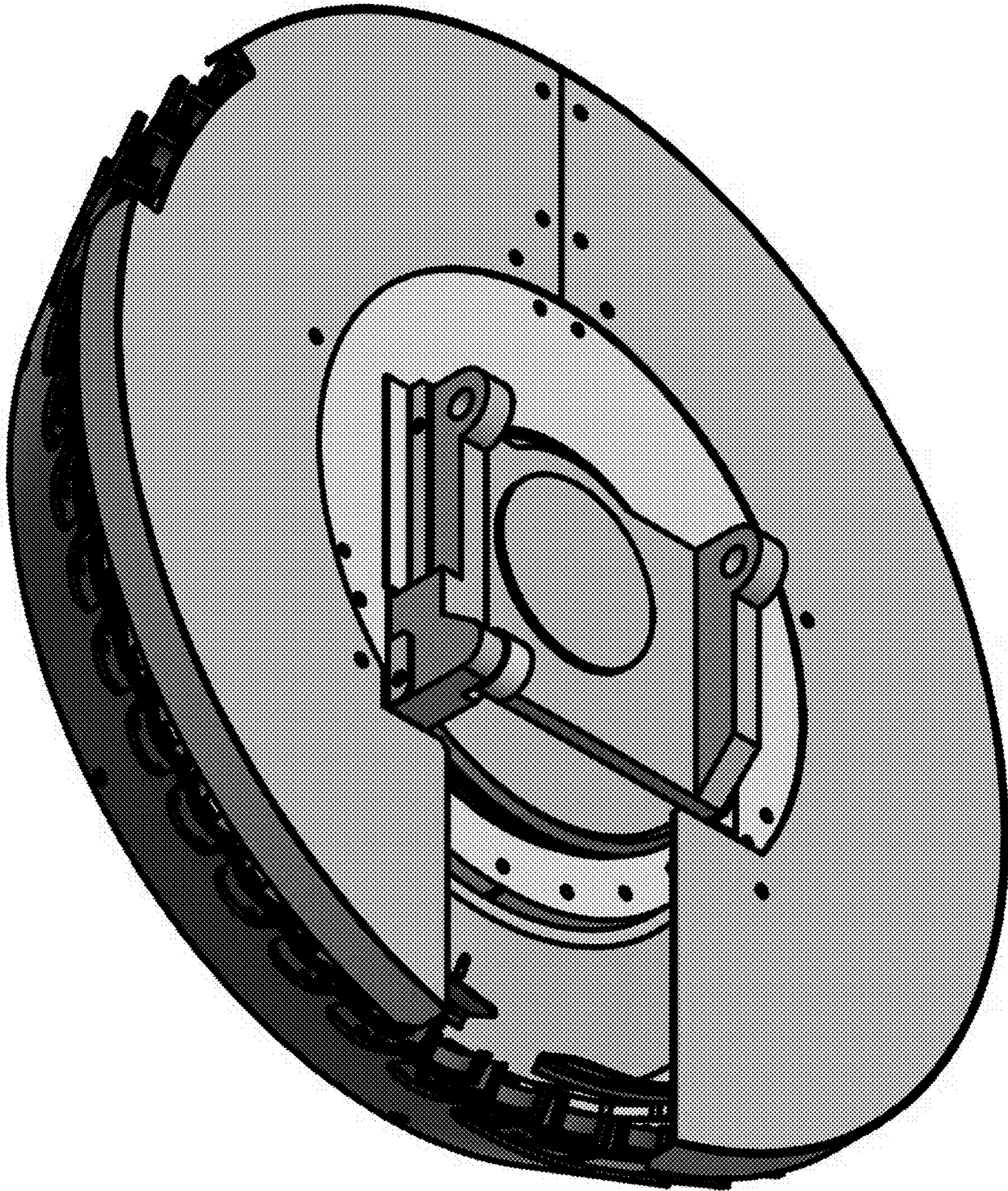
1.11



1.12



1.13



1.14

