



US00D924947S

(12) **United States Design Patent** (10) **Patent No.:** **US D924,947 S**
Spiess et al. (45) **Date of Patent:** **** Jul. 13, 2021**

(54) **ROLLER MILL FOR GRAIN MILLING**

15/00; B02C 15/04; B02C 15/007; G05B 19/19

See application file for complete search history.

(71) Applicant: **Bühler AG**, Uzwil (CH)

(72) Inventors: **Dominic Spiess**, Uetikon (CH); **Lukas Studerus**, Niederuzwil (CH); **Daniel Mark**, Wil (CH); **Philippe Holenstein**, Henau (CH); **Daniel Rickenbach**, Wittenwil (CH)

(73) Assignee: **BÜHLER AG**, Uzwil (CH)

(**) Term: **15 Years**

(21) Appl. No.: **35/506,827**

(22) Filed: **Nov. 28, 2018**

(80) **Hague Agreement Data**

Int. Filing Date: **Nov. 28, 2018**

Int. Reg. No.: **DM/200634**

Int. Reg. Date: **Nov. 28, 2018**

Int. Reg. Pub. Date: **May 31, 2019**

(30) **Foreign Application Priority Data**

May 28, 2018 (WO) DM/103580

(51) **LOC (13) Cl.** **15-09**

(52) **U.S. Cl.**

USPC **D15/131**

CPC **B02C 7/06 (2013.01)**

(58) **Field of Classification Search**

USPC D15/122, 124, 127, 128, 130, 131;
241/191, 194, 225

CPC .. B02C 7/06; B02C 9/00; B02C 11/04; B02C

(56) **References Cited**

U.S. PATENT DOCUMENTS

3,881,663	A *	5/1975	Brown	B02C 11/04 241/225
4,202,503	A *	5/1980	Parkinson	B02C 13/04 241/194
D308,529	S *	6/1990	Van Akkeren	D15/123
D400,895	S *	11/1998	Schrepfer	D15/131
D401,248	S *	11/1998	Schrepfer	D15/131
D549,247	S *	8/2007	Yorioka	D15/131
D549,747	S *	8/2007	Nakano	D15/131
D552,134	S *	10/2007	Nakano	D15/131
D612,873	S *	3/2010	Spinelli	D15/131
D651,622	S *	1/2012	Tobler	D15/131
D666,638	S *	9/2012	Tobler	D15/131
D667,032	S *	9/2012	Egami	D15/122
D734,374	S *	7/2015	Kaletka	D15/122
D765,155	S *	8/2016	Rickenbach	D15/131
D775,246	S *	12/2016	Seal	D15/131
9,517,540	B1 *	12/2016	Dring	G05B 19/19
D837,271	S *	1/2019	Tinius	D15/131
D853,459	S *	7/2019	Huotari	D15/144
D855,088	S *	7/2019	Tinius	D15/131

* cited by examiner

Primary Examiner — Richard E Chilcot
(74) *Attorney, Agent, or Firm* — Finch & Maloney, PLLC; Michael J. Bujold

(57) **CLAIM**

The ornamental design for a roller mill for grain milling, as shown and described.

DESCRIPTION

Fig. 1.1 is a top, front, right side perspective view of the roller mill for grain milling;
Fig. 1.2 is a front elevational view thereof;
Fig. 1.3 is a right side view thereof;
Fig. 1.4 is a left side view thereof;
Fig. 1.5 is a rear view thereof;

(Continued)

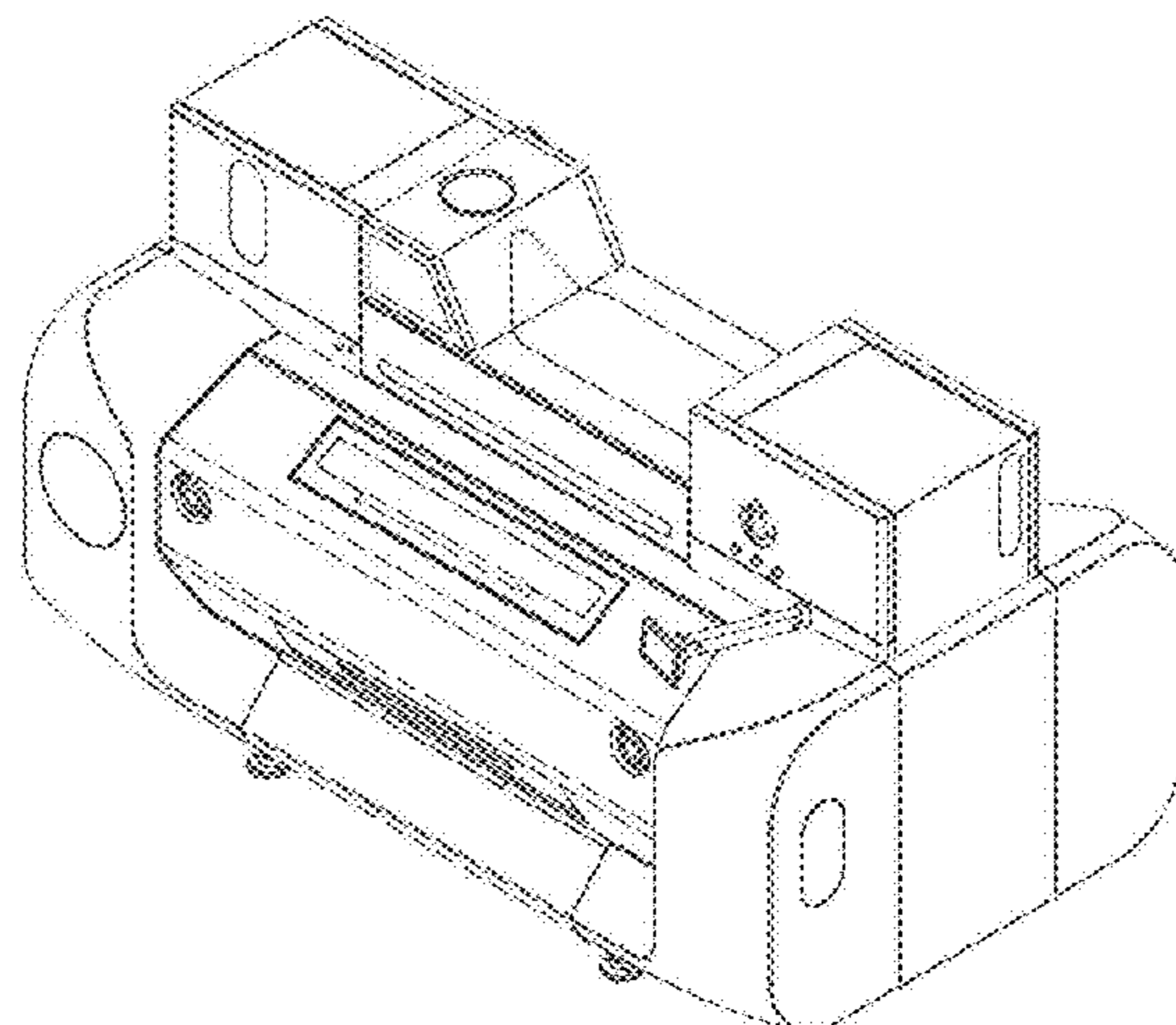


Fig. 1.6 is a top plan view thereof; and
Fig. 1.7 is a bottom view thereof.
The broken lines in the Figs. illustrate environmental structure that form no part of the claimed design.

1 Claim, 7 Drawing Sheets

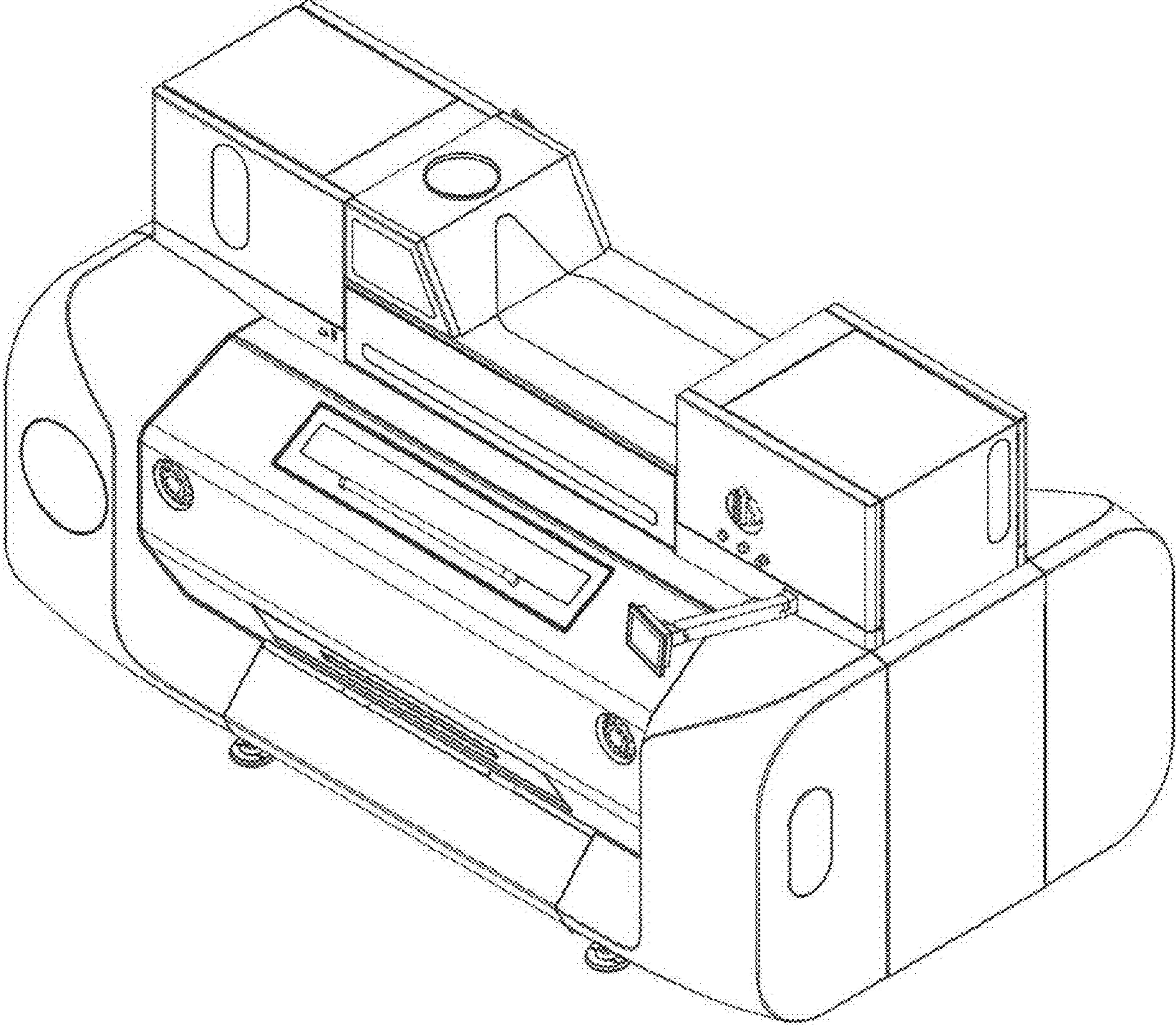


FIG. 1.1

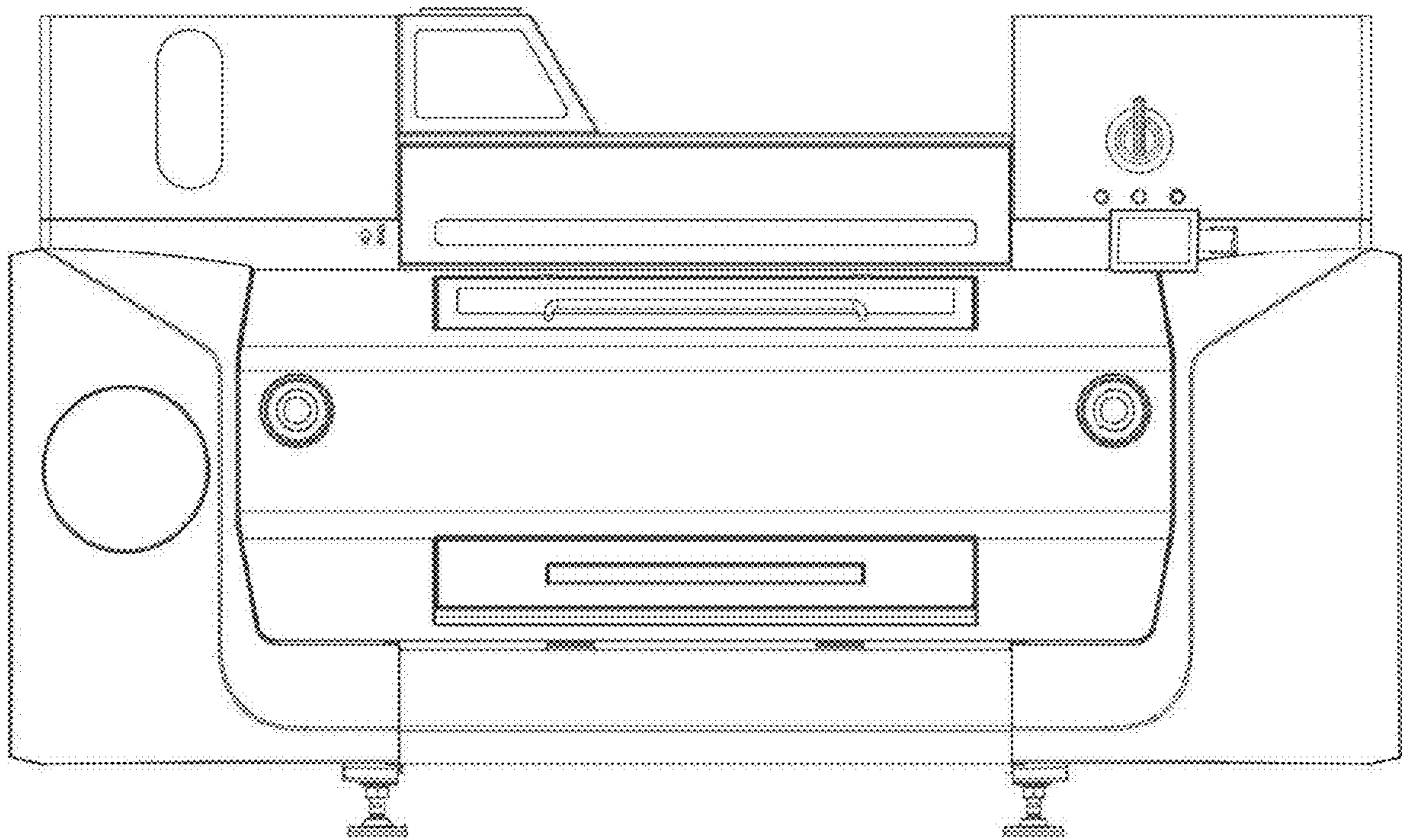


FIG. 1.2

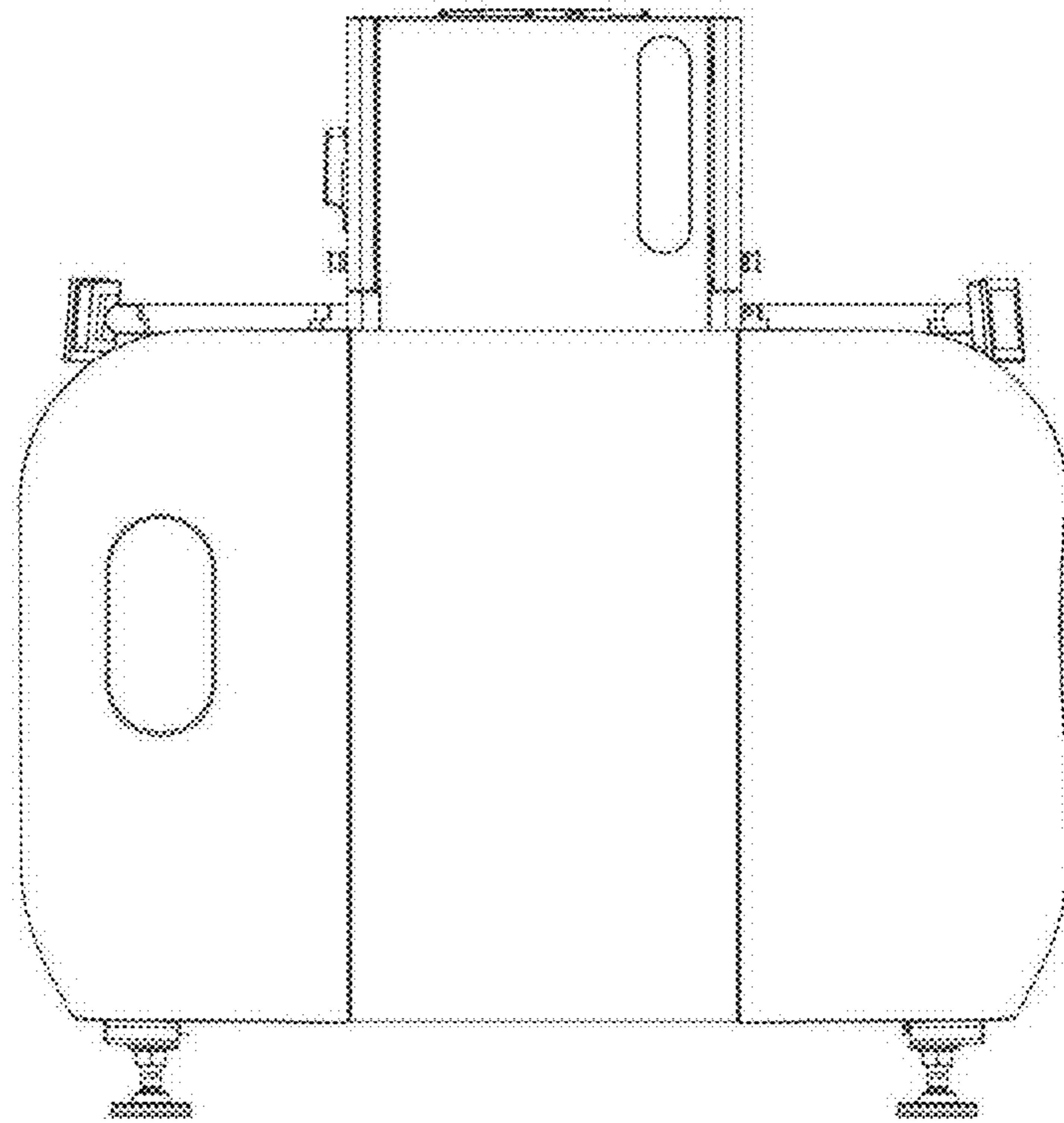


FIG. 1.3

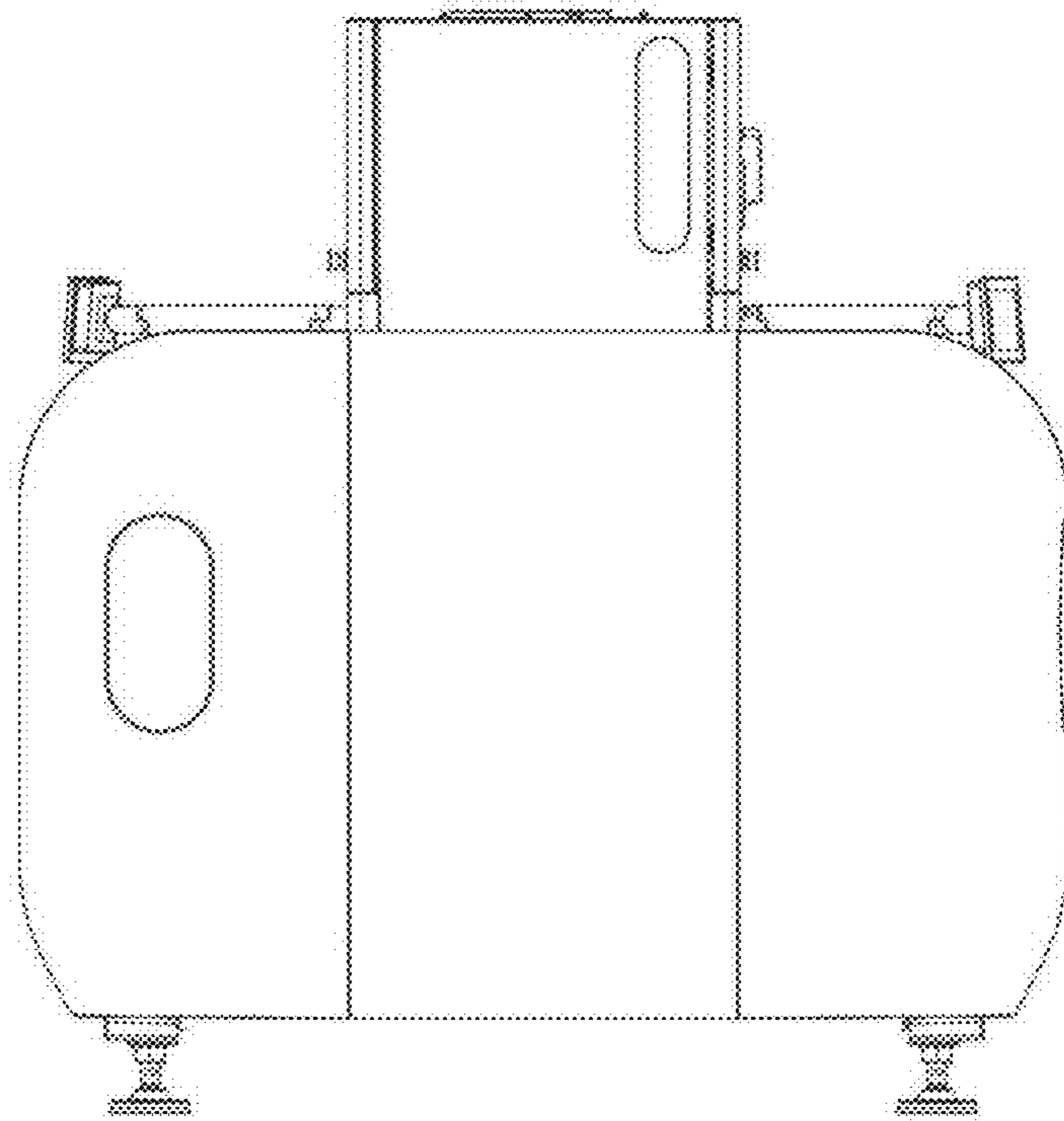


FIG. 1.4

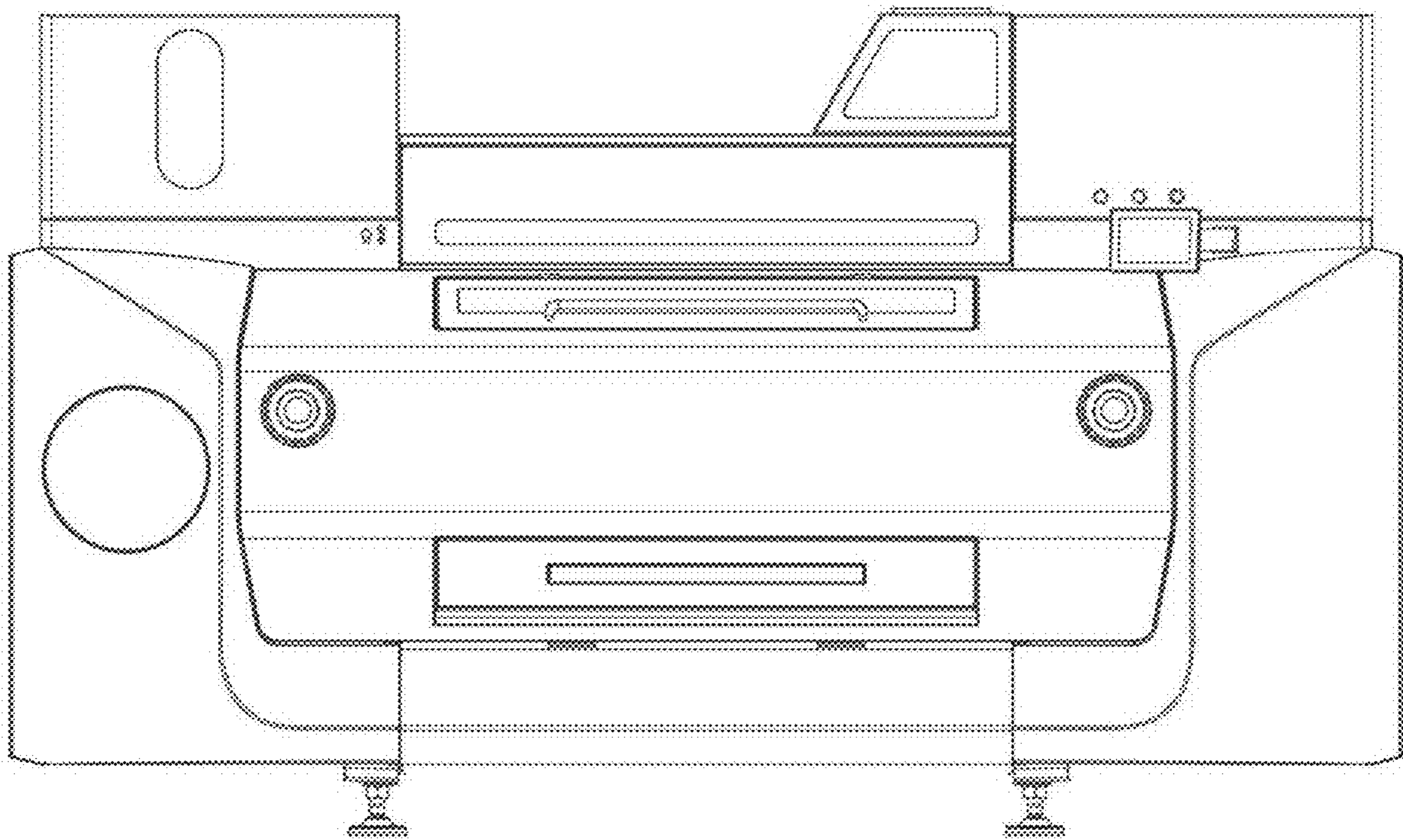


FIG. 1.5

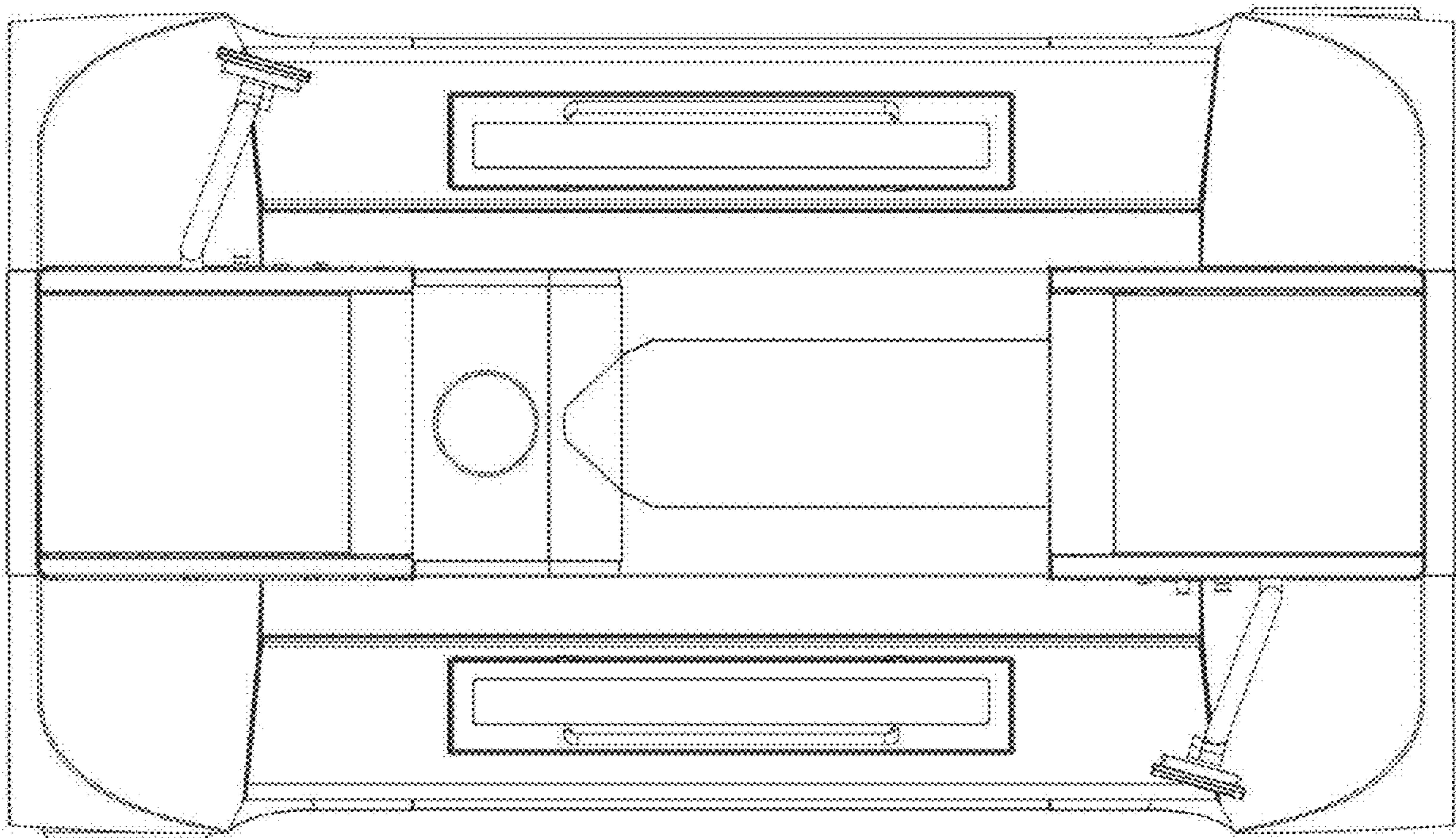


FIG. 1.6

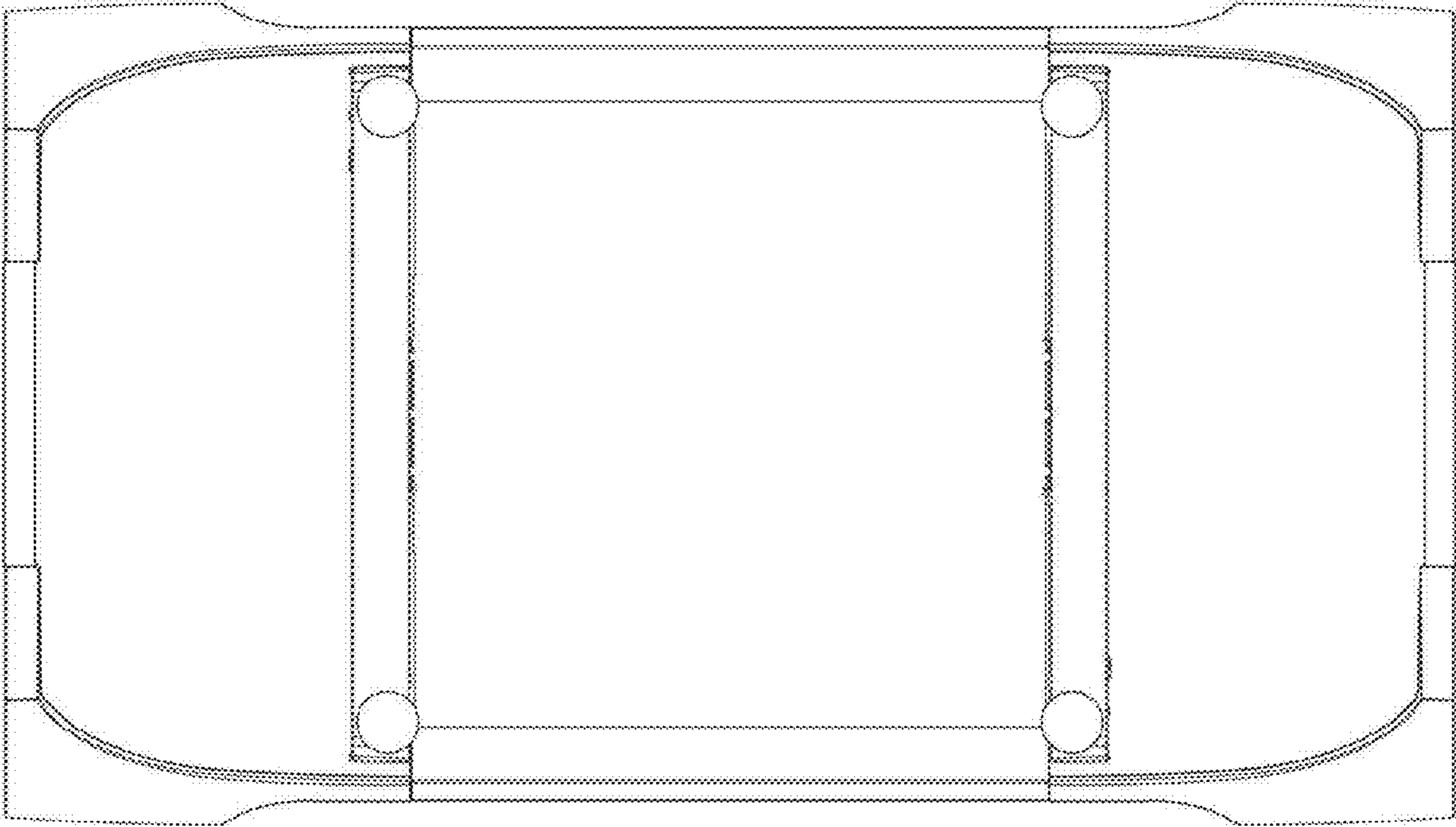


FIG. 1.7