



US00D924946S

(12) **United States Design Patent** (10) **Patent No.:** **US D924,946 S**
Xu (45) **Date of Patent:** **** Jul. 13, 2021**

(54) **MINI FRIDGE**
(71) Applicant: **Chun Hua Xu, Jiujiang (CN)**
(72) Inventor: **Chun Hua Xu, Jiujiang (CN)**
(**) Term: **15 Years**

D771,158 S 11/2016 Jain et al.
D800,799 S * 10/2017 Feng D15/81
D807,929 S * 1/2018 Feng D15/81
D810,151 S * 2/2018 Wang D15/88
D826,996 S * 8/2018 Feng D15/91
D867,407 S * 11/2019 Wang D15/79
D886,163 S * 6/2020 Yao D15/81
D896,856 S * 9/2020 Zhou D15/81

(21) Appl. No.: **29/768,646**

* cited by examiner

(22) Filed: **Jan. 31, 2021**

Primary Examiner — Khawaja Anwar

(30) **Foreign Application Priority Data**

(74) *Attorney, Agent, or Firm* — W&K IP

Dec. 31, 2020 (CN) 202030824425.0

(51) **LOC (13) Cl.** **15-07**

(57) **CLAIM**

(52) **U.S. Cl.**

USPC **D15/81**

The ornamental design for a mini fridge, as shown and described.

(58) **Field of Classification Search**

USPC D15/79-91

CPC F25D 17/065; F25D 2317/061; F25D

2323/023; F25D 23/028; F25D 23/126;

F25D 11/02; F25D 2201/126; F25D

2201/1262; F25D 2201/14; F25D

2323/021; F25D 23/02; F25D 23/025;

F25D 23/04; F25D 23/062; F25D 23/064;

F25D 23/065; F25D 23/067; F25D

2400/361; F25D 25/025; F25D 25/04;

F25D 29/005; F25D 29/006; F25D

31/005; F25D 3/06

See application file for complete search history.

DESCRIPTION

FIG. 1 is a perspective view of a mini fridge showing my new design;

FIG. 2 is a front view thereof;

FIG. 3 is a rear view thereof;

FIG. 4 is a left side view thereof;

FIG. 5 is a right side view thereof;

FIG. 6 is a top plan view thereof; and,

FIG. 7 is a bottom plan view thereof.

The dashed or broken lines shown in the drawings depict portions of the mini fridge in which the design is embodied that form no part of the claimed design.

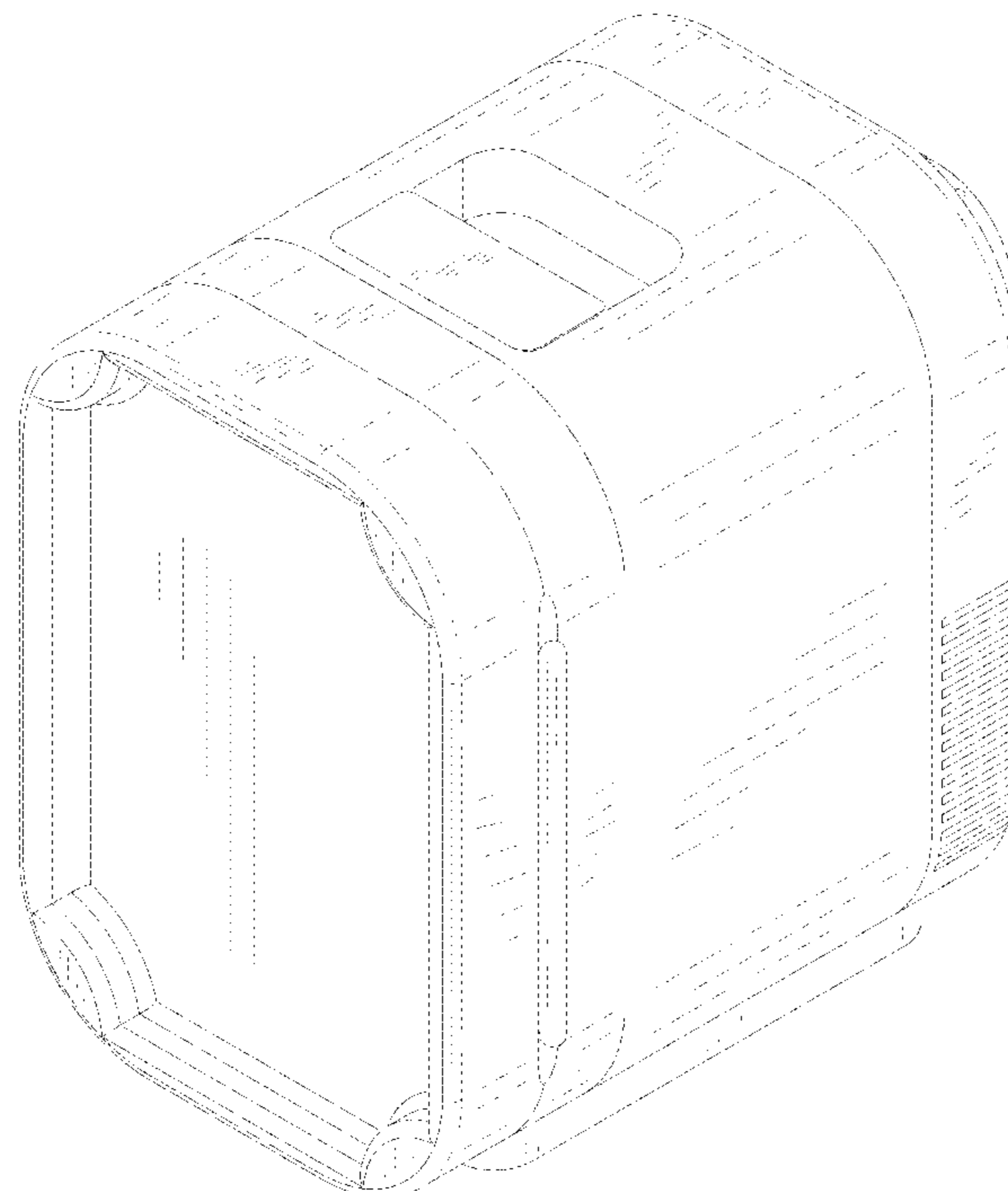
(56) **References Cited**

U.S. PATENT DOCUMENTS

D618,257 S * 6/2010 Hanamure D15/79

D762,744 S 8/2016 Tissi

1 Claim, 7 Drawing Sheets



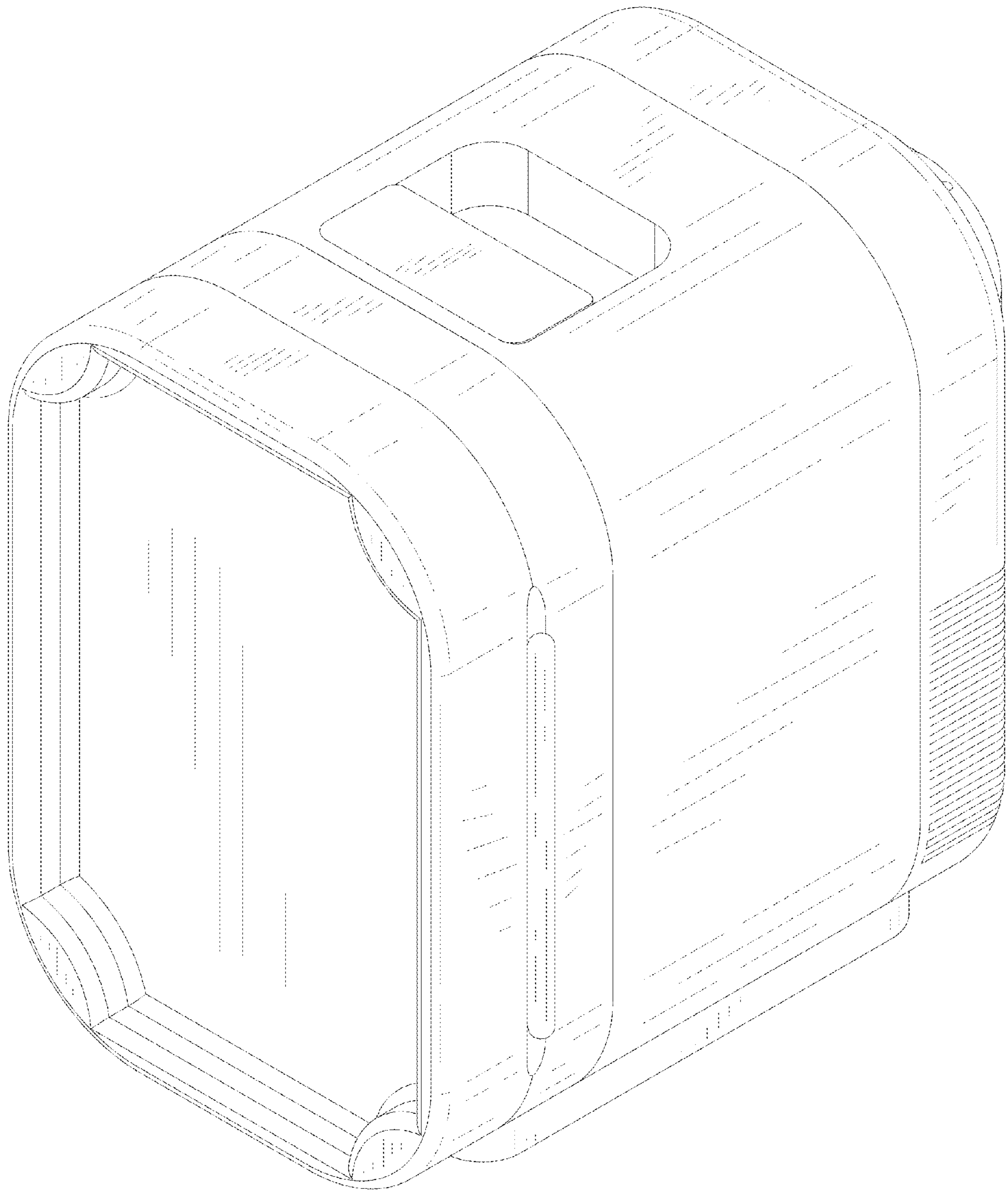


FIG. 1

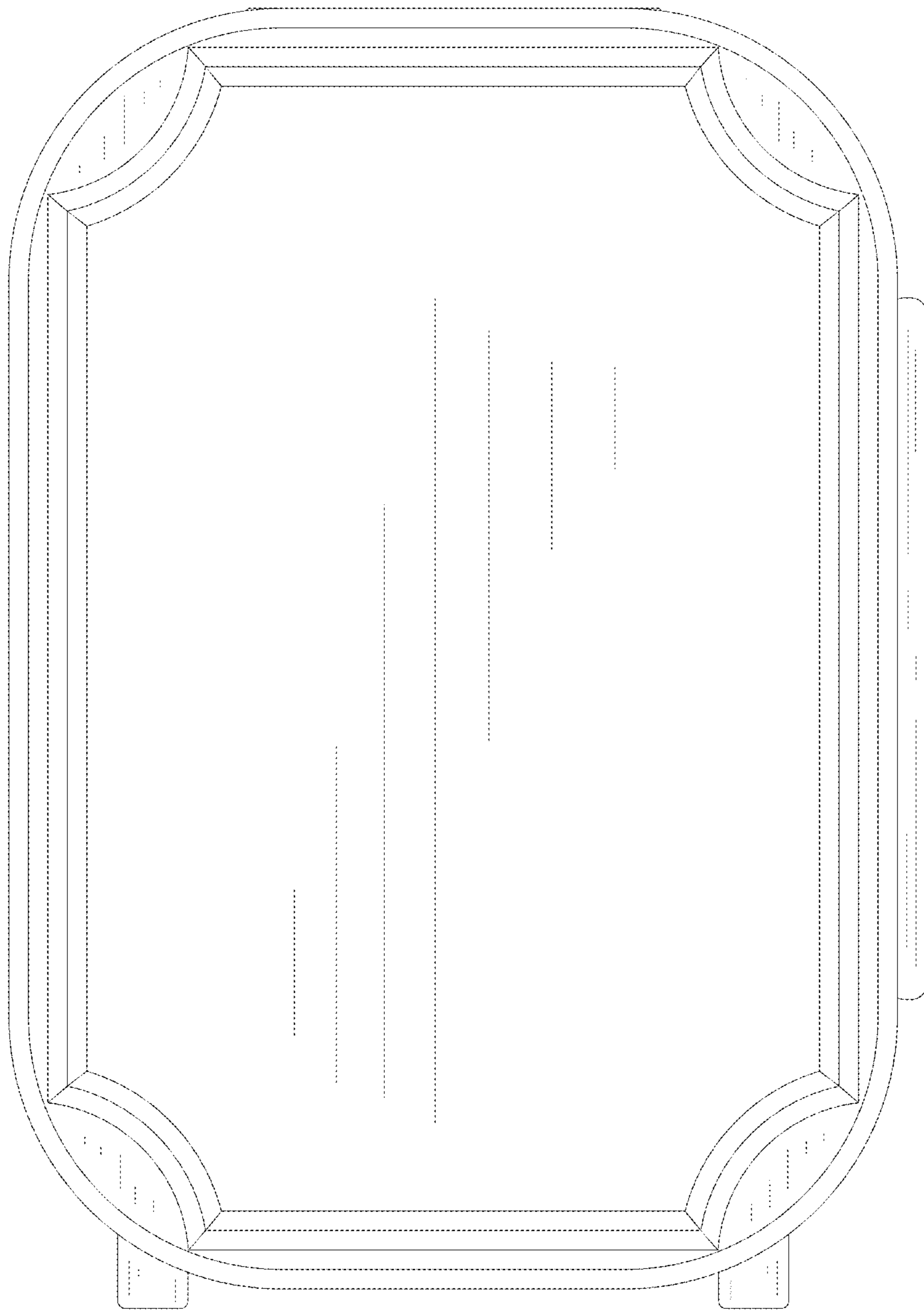


FIG. 2

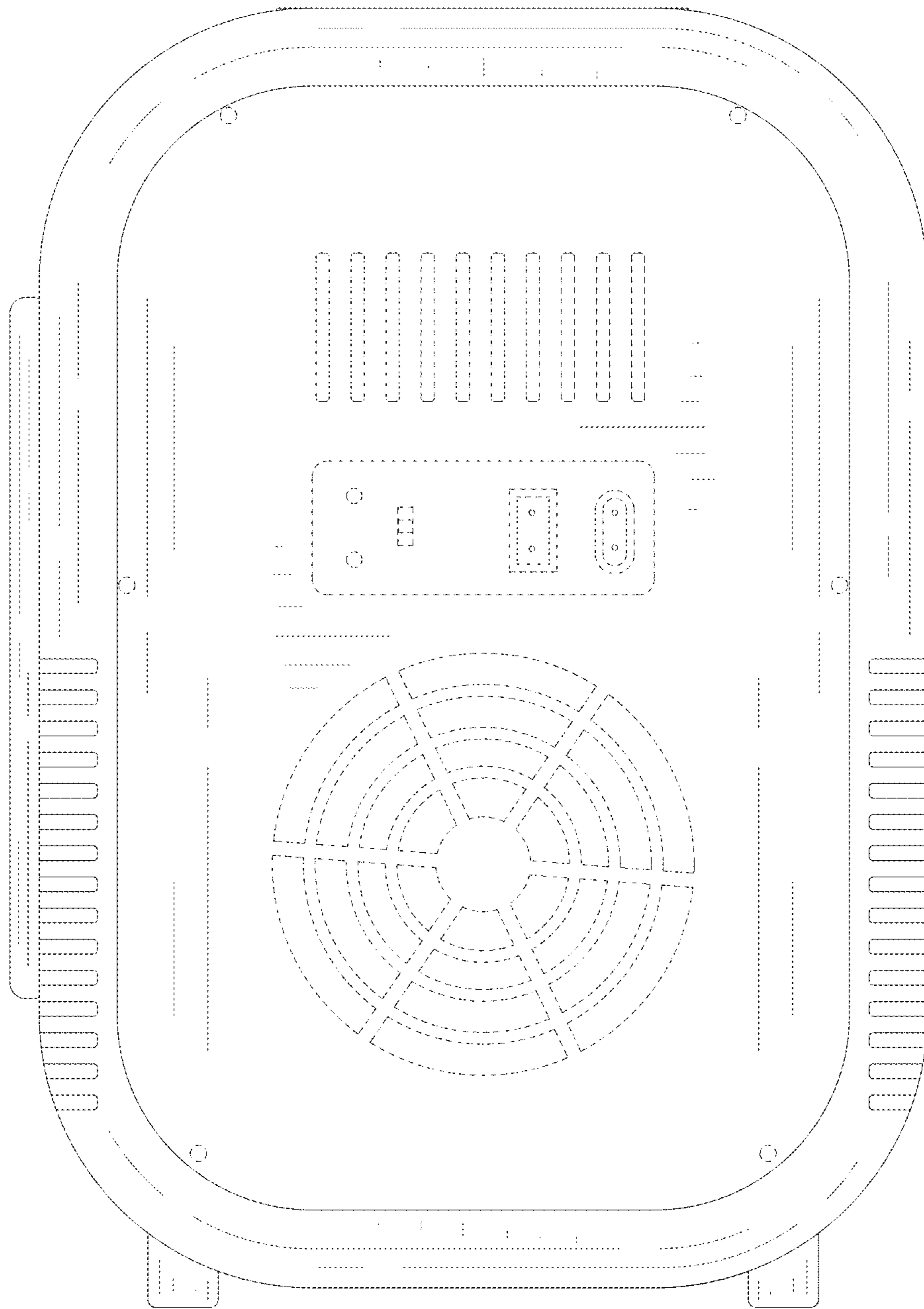


FIG. 3



FIG. 4

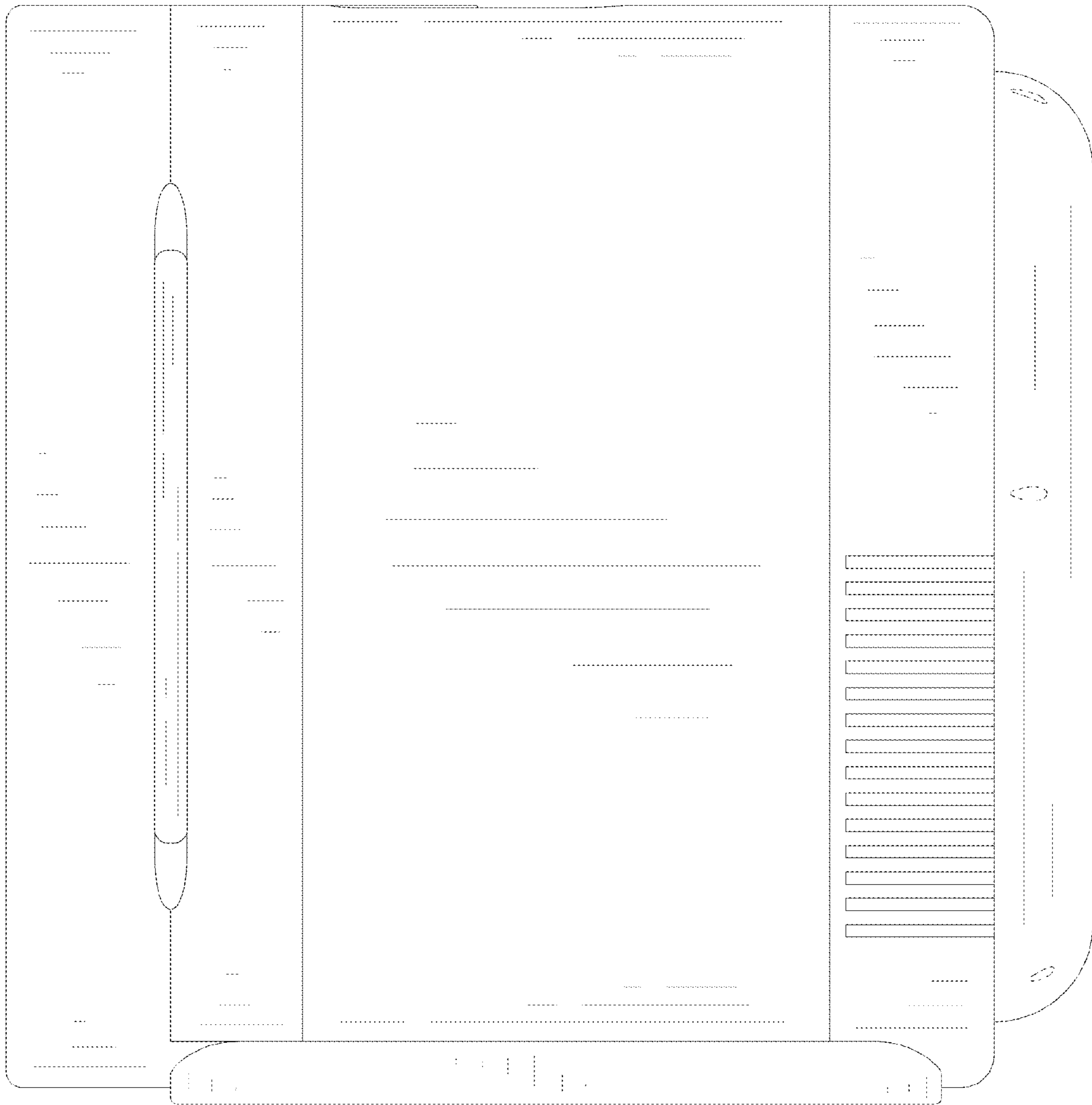


FIG. 5

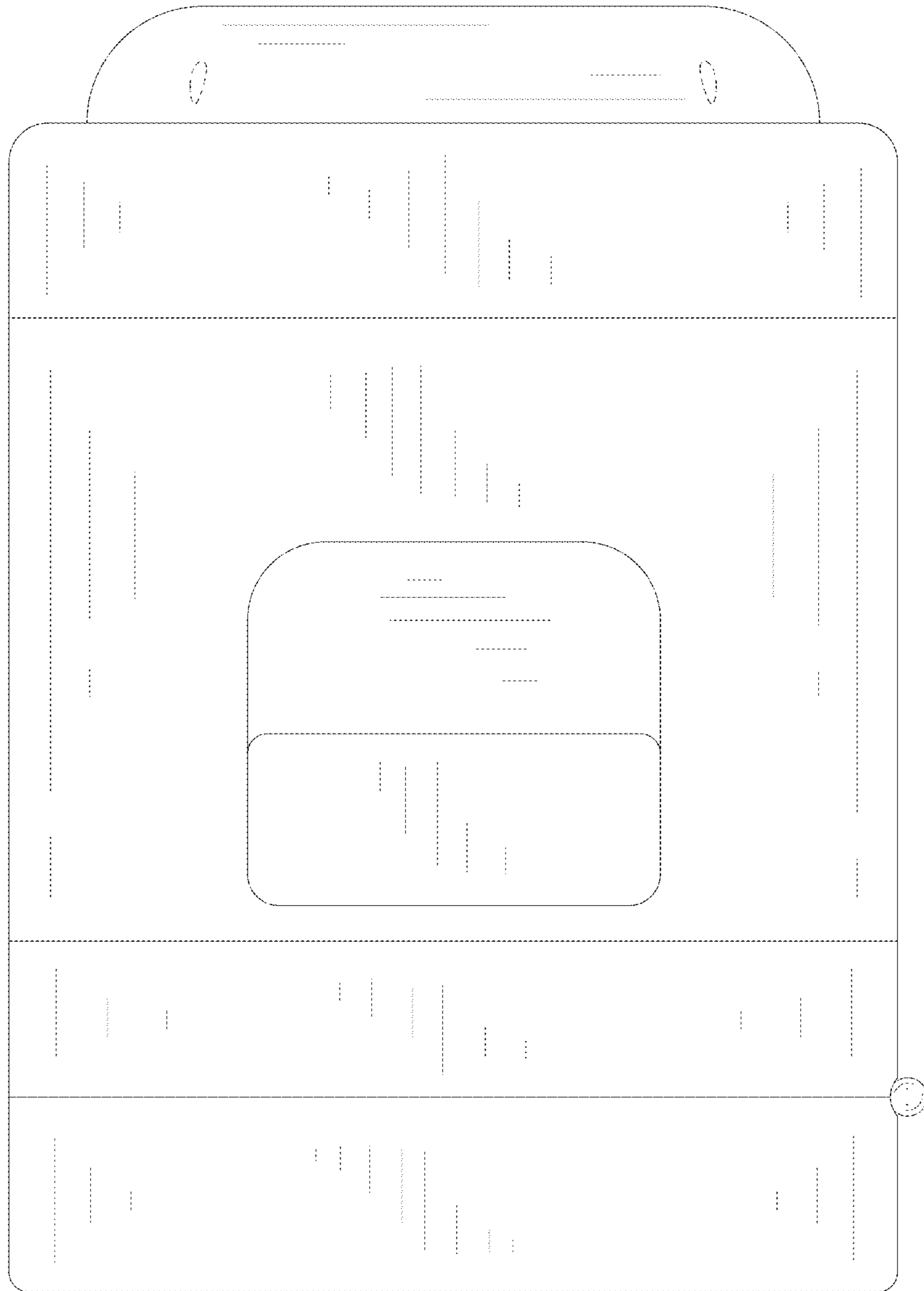


FIG. 6

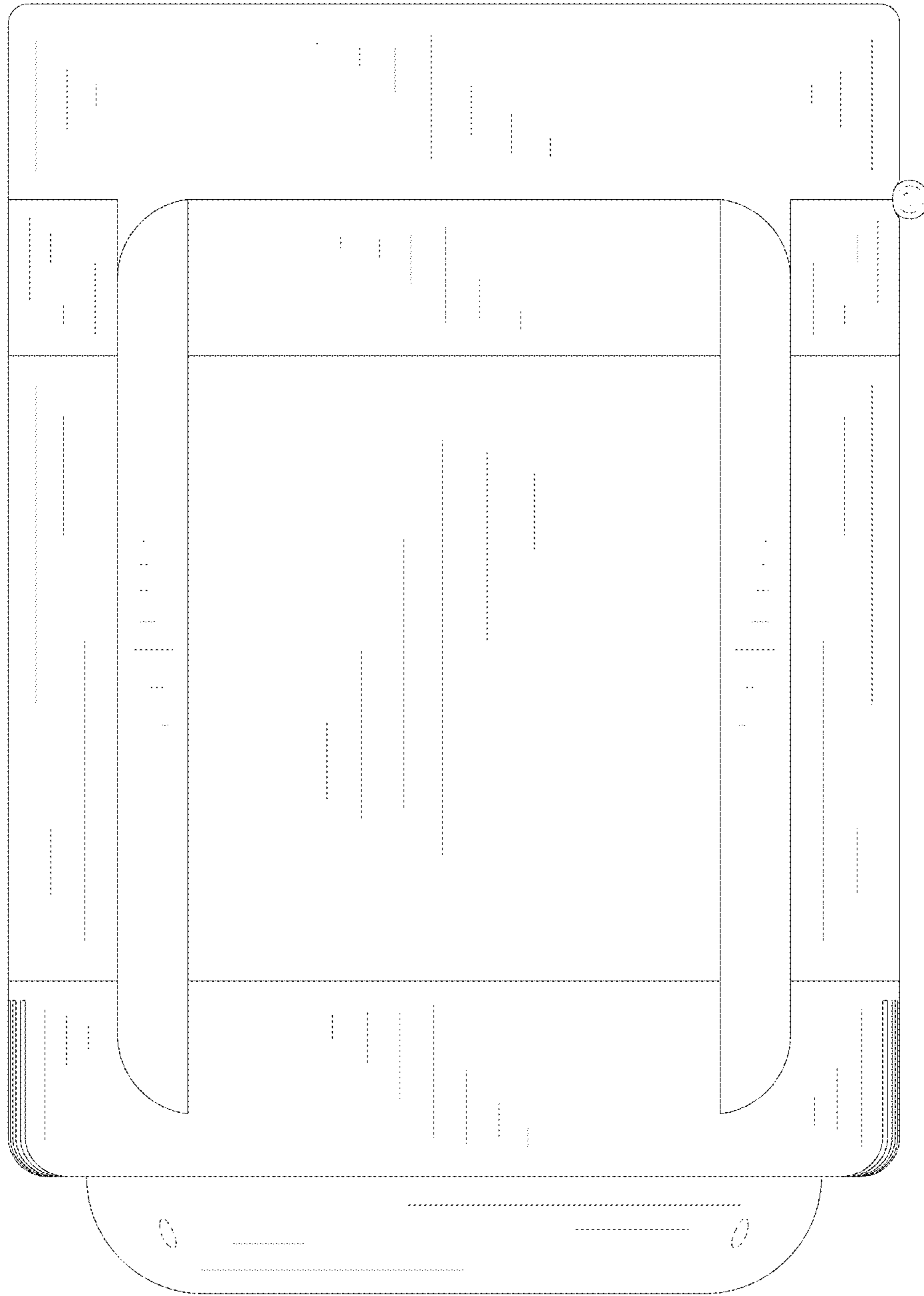


FIG. 7