



US00D924939S

(12) **United States Design Patent** (10) **Patent No.:** **US D924,939 S**  
**Bell et al.** (45) **Date of Patent:** **\*\* Jul. 13, 2021**

(54) **GRAIN DRYING ADAPTER**  
(71) Applicant: **ConleyMax Inc.**, Calgary (CA)  
(72) Inventors: **Patrick G. Bell**, Calgary (CA);  
**William N. Beckie**, Calgary (CA)  
(73) Assignee: **ConleyMax Inc.**, Calgary (CA)  
(\*\*) Term: **15 Years**

4,754,557 A 7/1988 Anderson  
D308,526 S 6/1990 Stalder  
5,156,570 A 10/1992 Justice, III  
D338,892 S 8/1993 Crawford  
5,468,187 A 11/1995 Edwards, Jr.  
D873,864 S 1/2020 Bell  
D907,069 S 1/2021 Bell  
2004/0022627 A1 2/2004 Hanchett  
2010/0170105 A1 7/2010 Burns  
2011/0167667 A1 7/2011 Zoucha  
2018/0283787 A1 10/2018 Bell  
2019/0293350 A1 9/2019 Bell

(21) Appl. No.: **29/760,198**  
(22) Filed: **Nov. 30, 2020**

*Primary Examiner* — Mark A Goodwin  
(74) *Attorney, Agent, or Firm* — HEA Law PLLC; Darrin A. Auito

**Related U.S. Application Data**

(62) Division of application No. 29/713,051, filed on Nov. 13, 2019, now Pat. No. Des. 907,069, which is a division of application No. 29/598,907, filed on Mar. 29, 2017, now Pat. No. Des. 873,864.

(57) **CLAIM**

The ornamental design for a grain drying adapter, as shown and described.

(51) **LOC (13) Cl.** ..... **15-03**  
(52) **U.S. Cl.**  
USPC ..... **D15/10; D15/144**

**DESCRIPTION**

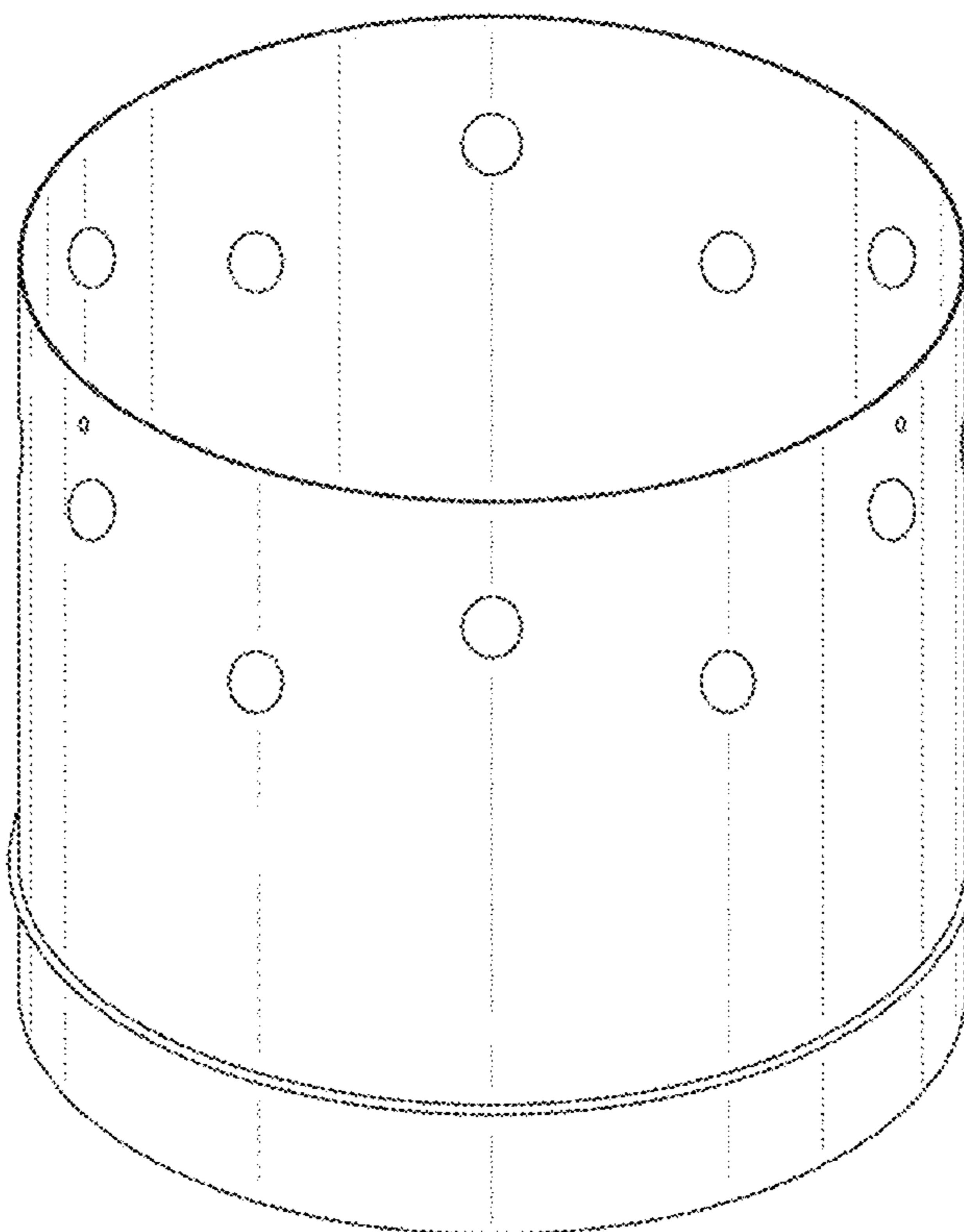
(58) **Field of Classification Search**  
USPC ..... D15/10, 17, 28, 144  
CPC ..... F26B 19/005; F26B 9/103; F26B 3/06;  
F26B 3/02; F26B 2200/06  
See application file for complete search history.

FIG. 1 is a perspective view of a grain drying adapter;  
FIG. 2 is a front side view thereof;  
FIG. 3 is a back side view thereof;  
FIG. 4 is a tell side view thereof;  
FIG. 5 is a right side view thereof;  
FIG. 6 is a top view thereof;  
FIG. 7 is a bottom view thereof; and,  
FIG. 8 is an environmental perspective view thereof.  
The broken lines form no part of the claimed design.

(56) **References Cited**  
U.S. PATENT DOCUMENTS

2,714,258 A 8/1955 Smith  
4,307,701 A 12/1981 Balton

**1 Claim, 8 Drawing Sheets**



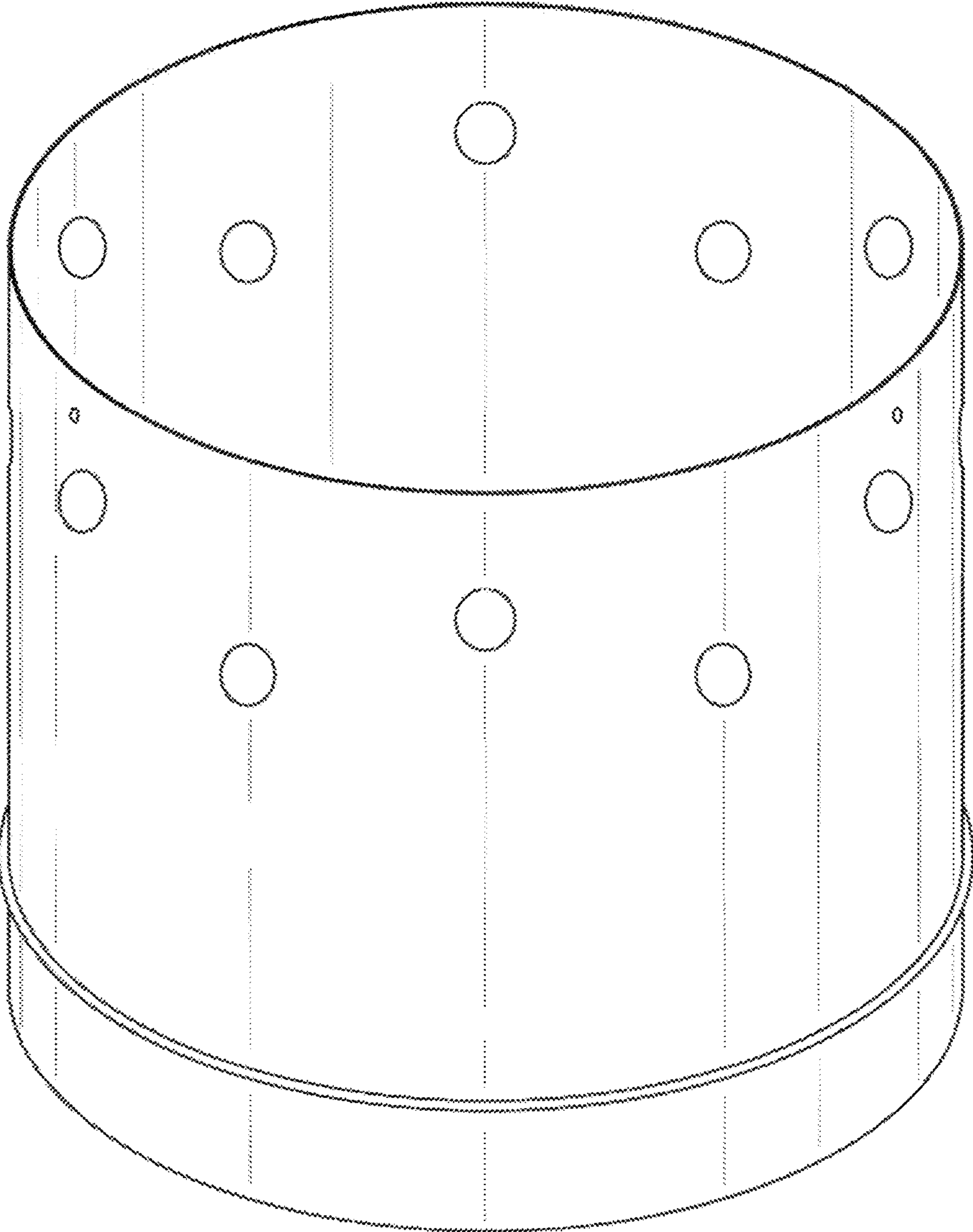


FIG. 1

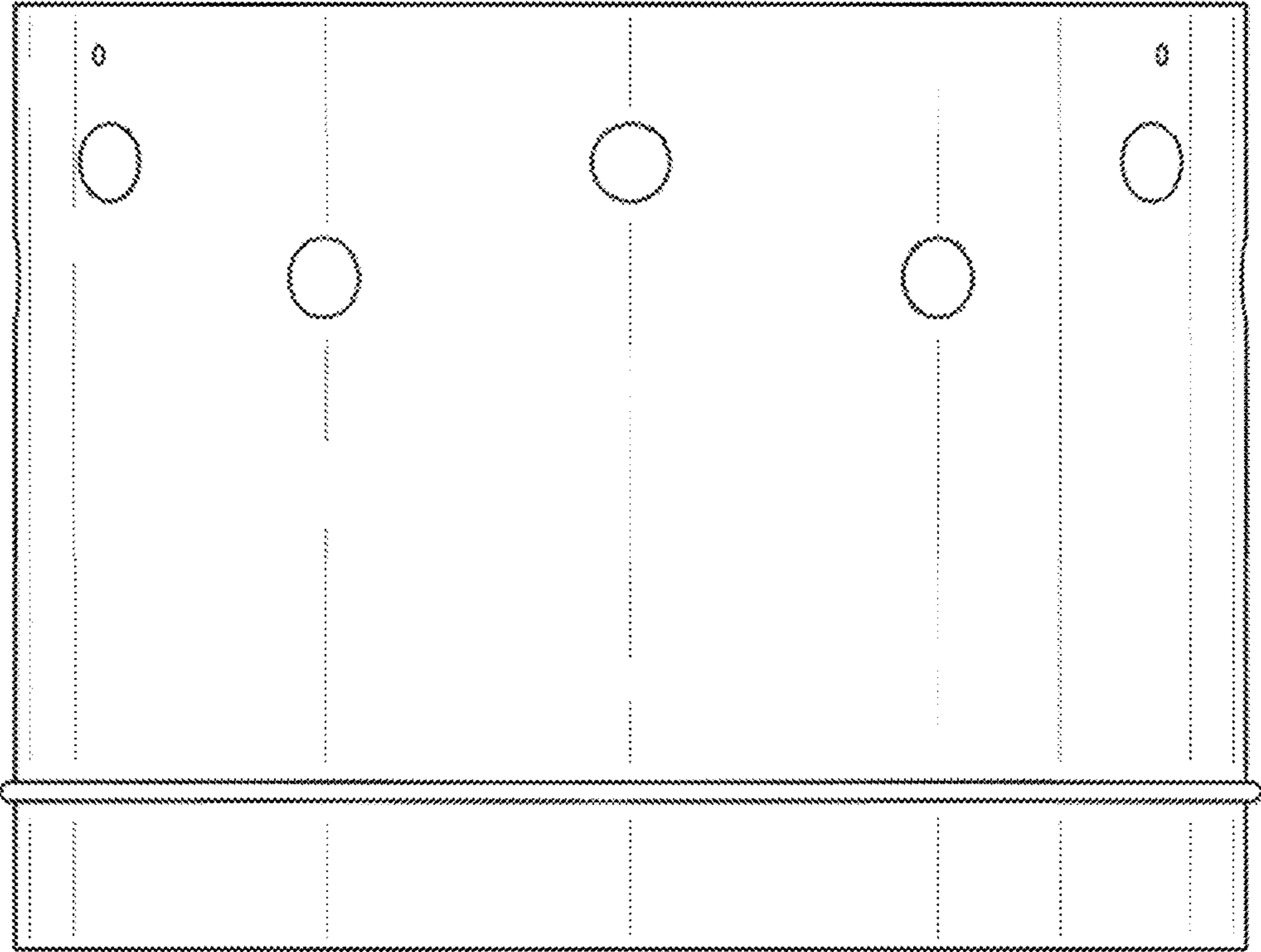


FIG. 2

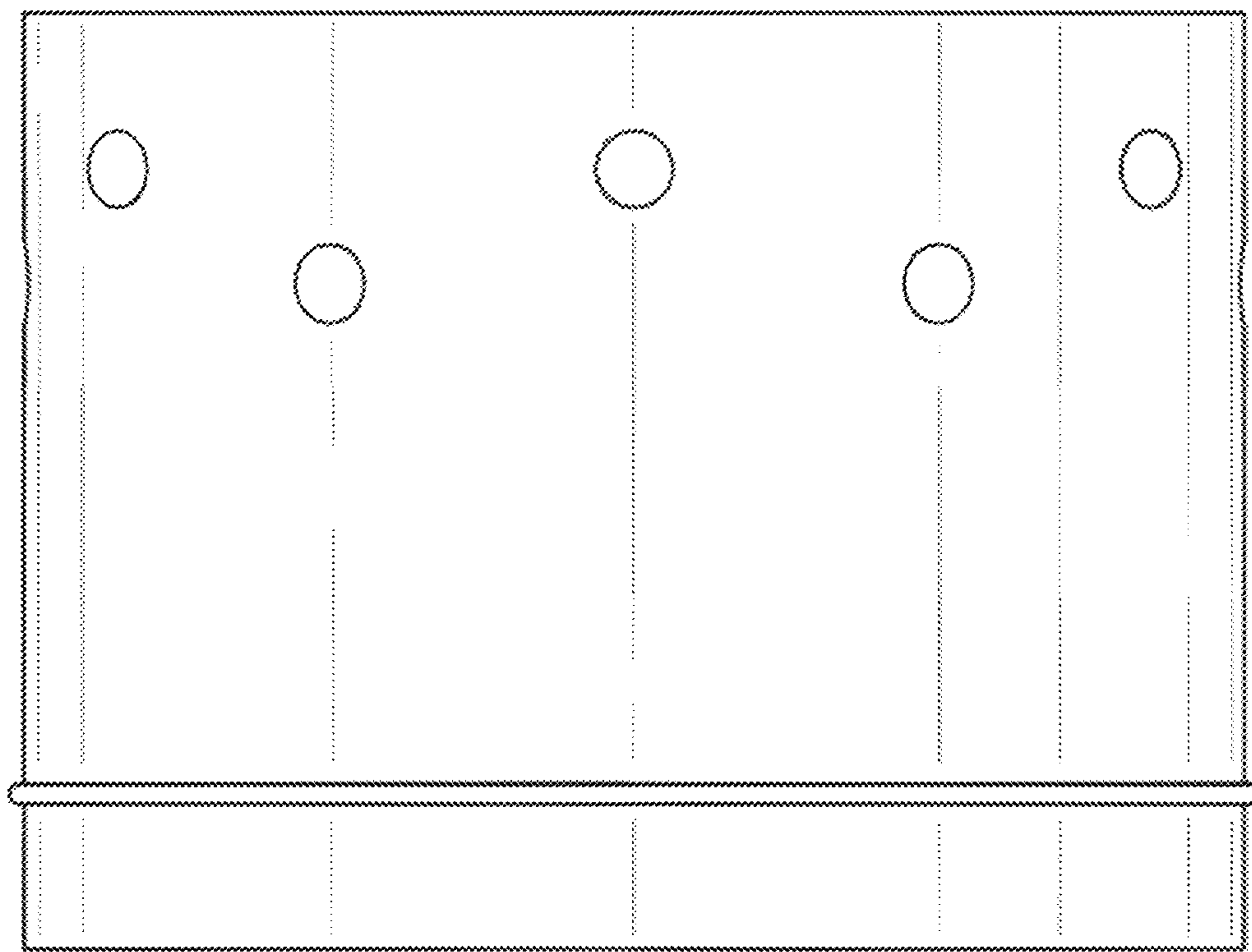


FIG. 3

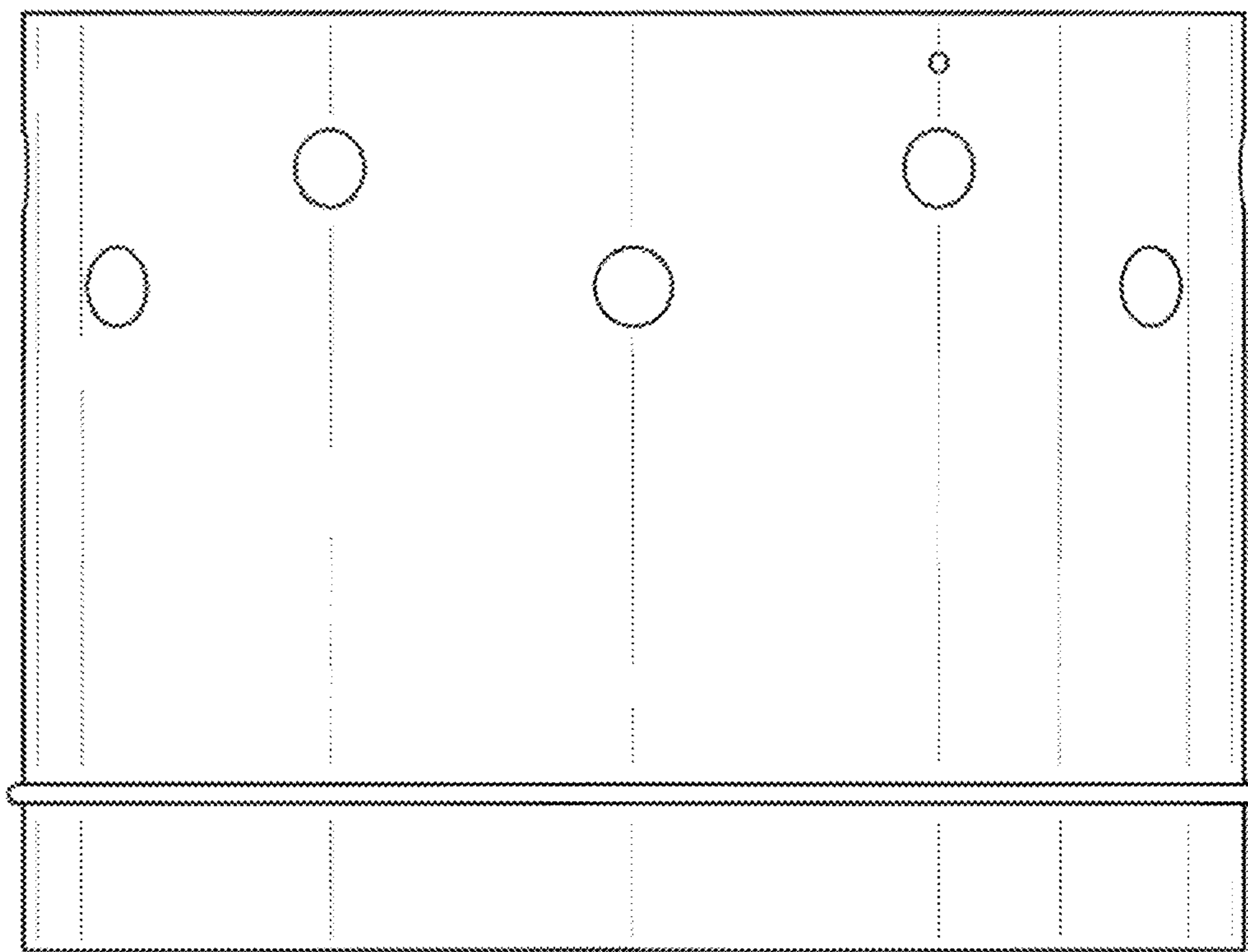


FIG. 4

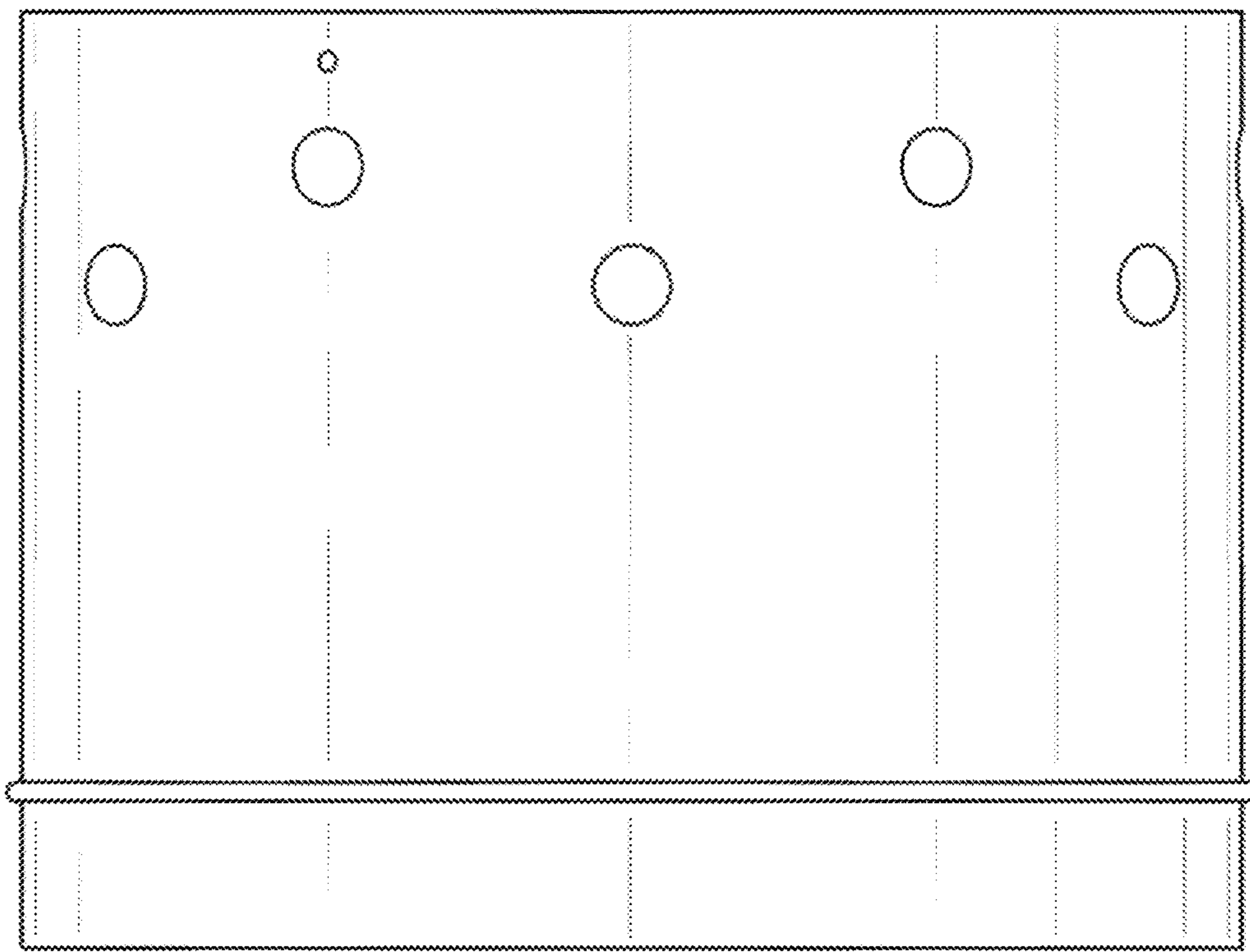


FIG. 5



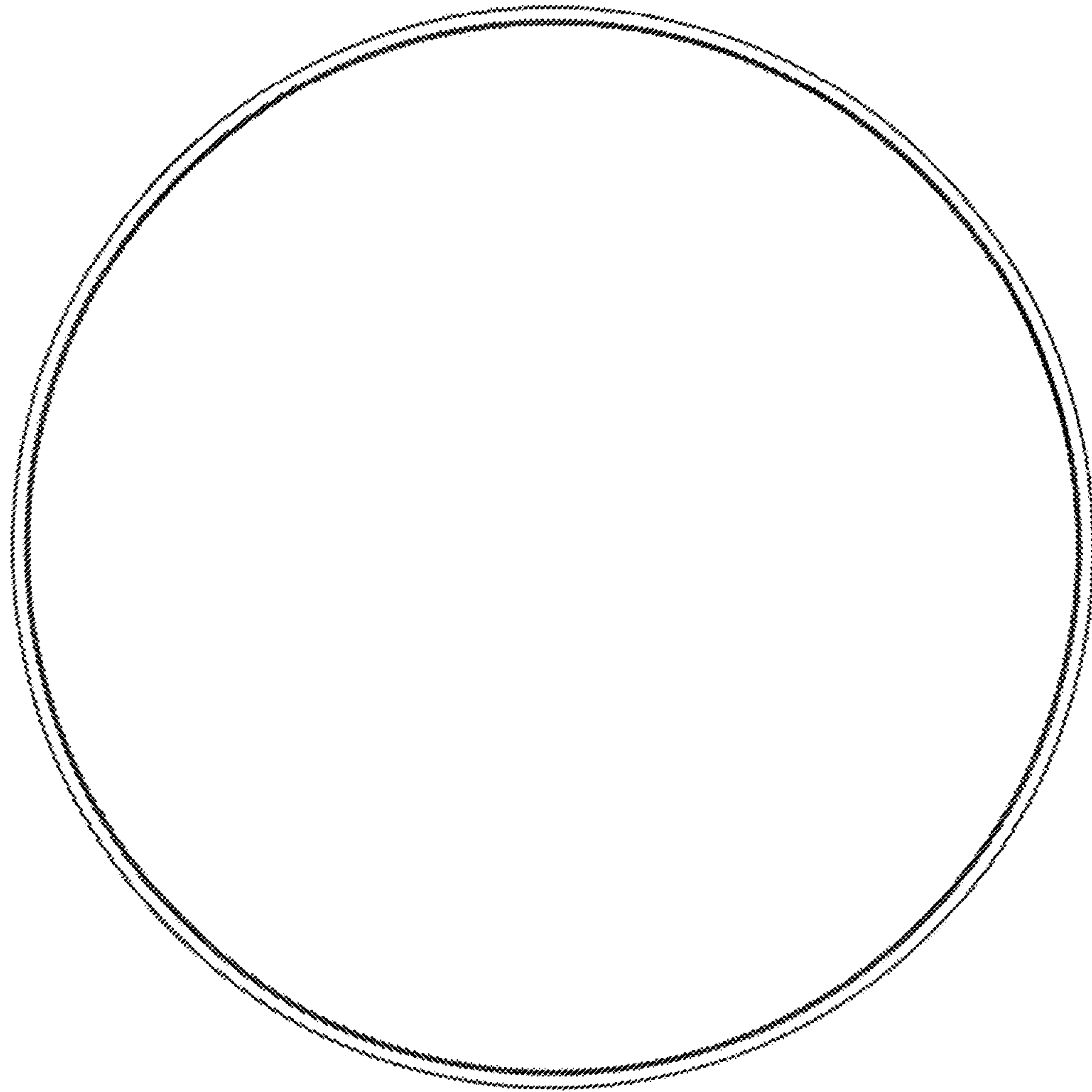


FIG. 6

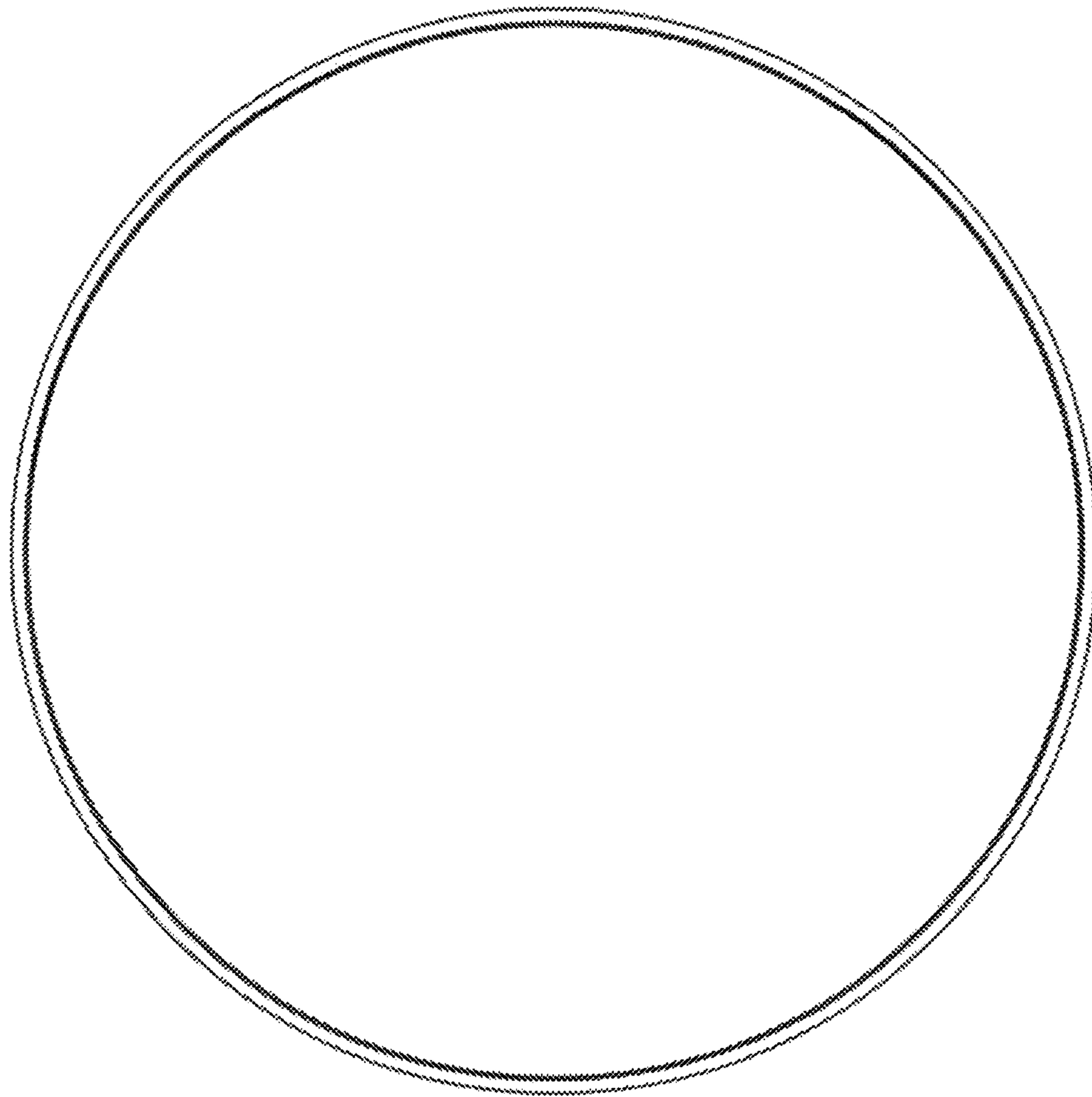


FIG. 7



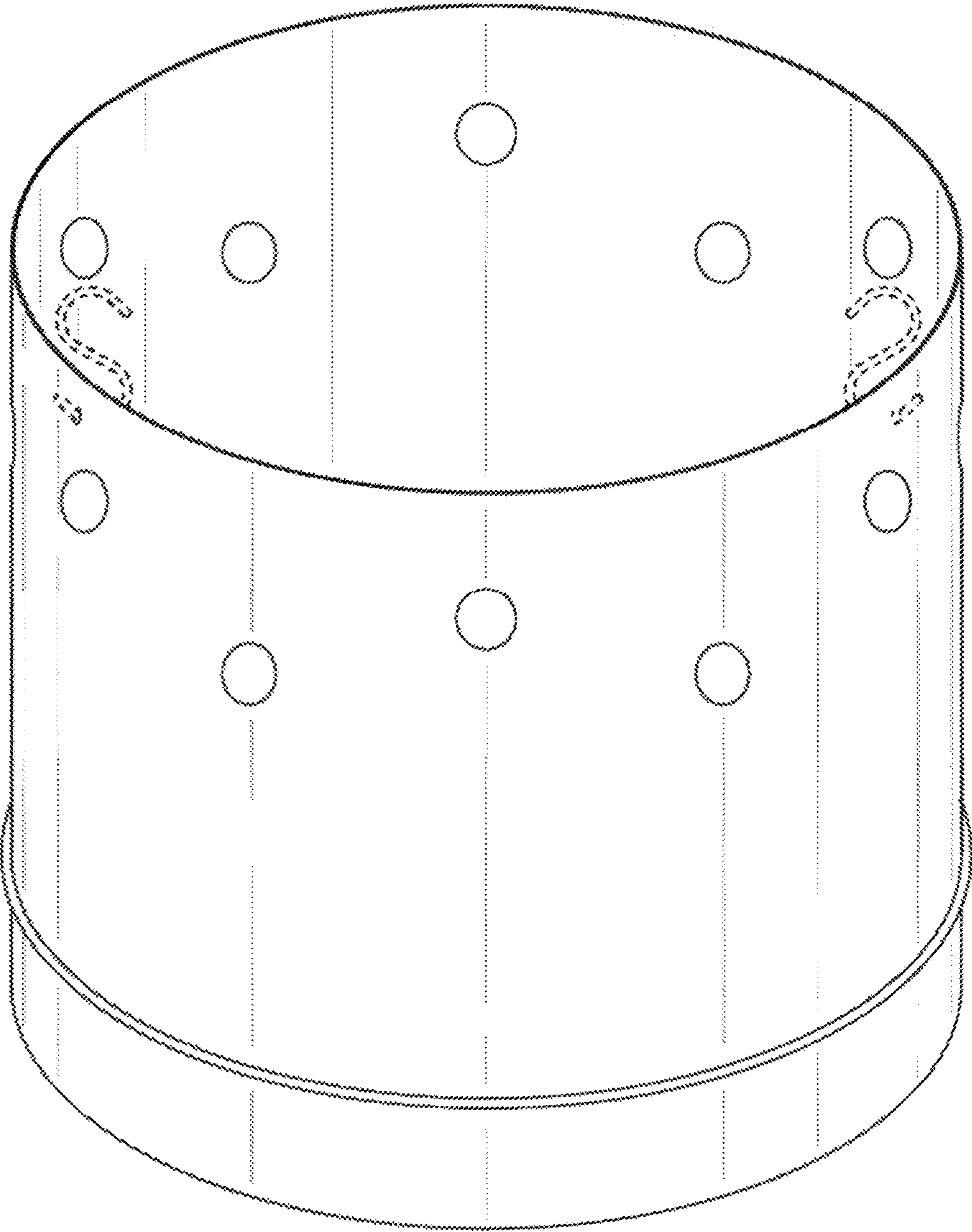


FIG. 8