



US00D924935S

(12) **United States Design Patent** (10) **Patent No.:** **US D924,935 S**
Mainville et al. (45) **Date of Patent:** **** Jul. 13, 2021**

(54) **VALVE COVER ASSEMBLY**

(71) Applicant: **GM GLOBAL TECHNOLOGY OPERATIONS LLC**, Detroit, MI (US)

(72) Inventors: **Marc A. Mainville**, Grosse Pointe Woods, MI (US); **Danilo C Rodrigues**, Macomb, MI (US)

(73) Assignee: **GM GLOBAL TECHNOLOGY OPERATIONS LLC**, Detroit, MI (US)

(**) Term: **15 Years**

(21) Appl. No.: **29/702,305**

(22) Filed: **Aug. 19, 2019**

(51) **LOC (13) Cl.** **15-01**

(52) **U.S. Cl.**
USPC **D15/5**

(58) **Field of Classification Search**
USPC D15/1, 2, 3, 4, 5, 6, 7
CPC ... F01P 5/02; F01P 1/02; F02B 75/007; F02B 77/13; F02B 75/22; F02F 7/0046; F02F 7/0026; F02F 7/0021; F02F 7/0068; F02F 7/006; F02F 2007/0097; F02F 7/0024; F02F 7/0039; F02F 7/0065; F02F 2007/0075; F02F 2007/0078; F02F 7/0095; F01M 13/023
See application file for complete search history.

5,513,604 A * 5/1996 Clement F01L 1/46
123/90.38

D418,844 S * 1/2000 Occhiuto D15/5

D503,724 S * 4/2005 Grant D15/5

7,343,890 B1 * 3/2008 Platt F02F 7/006
123/195 C

D570,742 S 6/2008 Takagi et al.

D592,105 S 5/2009 Dean et al.

D597,447 S 8/2009 Folden

D600,595 S 9/2009 Nakamura et al.

D601,925 S 10/2009 O'Donnell

D603,755 S 11/2009 Peters

D604,203 S 11/2009 O'Donnell

D605,082 S 12/2009 Munson

D605,083 S 12/2009 Manoogian, II et al.

D605,977 S 12/2009 Zipfel et al.

D605,978 S 12/2009 Wolff et al.

D608,249 S 1/2010 Peters

D608,690 S 1/2010 Folden et al.

D608,691 S 1/2010 Zak, Jr. et al.

D609,608 S 2/2010 Boniface et al.

D611,387 S 3/2010 Thompson et al.

(Continued)

Primary Examiner — Ania Aman

(57) **CLAIM**

The ornamental design for a valve cover assembly, as shown and described.

DESCRIPTION

FIG. 1 is a front and left perspective view of a valve cover assembly showing our new design;

FIG. 2 is an exploded front elevation view of the valve cover assembly of FIG. 1;

FIG. 3 is an exploded right elevation view thereof;

FIG. 4 is an exploded left elevation view thereof;

FIG. 5 is an exploded back elevation view;

FIG. 6 is an exploded top view; and,

FIG. 7 is an exploded bottom view thereof.

The broken lines in the drawings depict portions of the valve cover assembly that form no part of the claimed design.

1 Claim, 7 Drawing Sheets

(56) **References Cited**

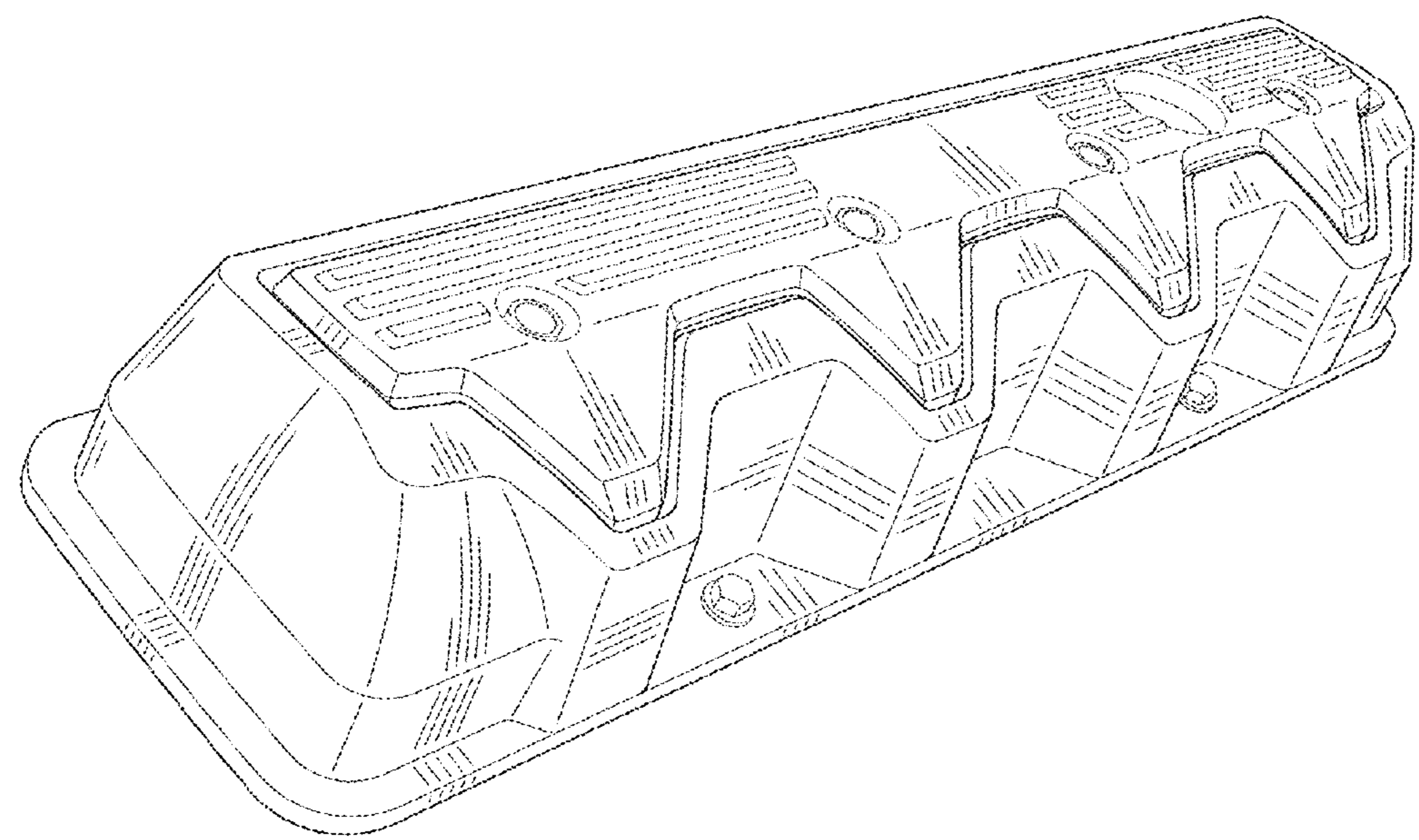
U.S. PATENT DOCUMENTS

D252,878 S * 9/1979 Bellino D15/5

D305,767 S * 1/1990 Tauschke D15/5

5,365,901 A * 11/1994 Kiczek F02F 7/006
123/195 C

5,513,603 A * 5/1996 Ang F02B 77/00
123/90.37



(56)

References Cited

U.S. PATENT DOCUMENTS

D611,879 S	3/2010	Kim et al.	D746,726 S	1/2016	Smith et al.
D612,297 S	3/2010	Peters et al.	D746,727 S	1/2016	Smith et al.
D613,645 S	4/2010	Song et al.	D746,728 S	1/2016	Smith et al.
D615,458 S	5/2010	Thompson et al.	D746,729 S	1/2016	Boniface et al.
D618,595 S	6/2010	Ware et al.	D746,730 S	1/2016	Kim et al.
D623,090 S	9/2010	Cox et al.	D747,514 S	1/2016	McMahan et al.
D627,262 S	11/2010	Ikeda et al.	D747,515 S	1/2016	McMahan et al.
D635,488 S	4/2011	Phipps	D747,819 S	1/2016	Thole et al.
D644,147 S	8/2011	Suh et al.	D749,021 S	2/2016	Boniface et al.
D644,567 S	9/2011	Kozub	D749,026 S	2/2016	Smith et al.
D657,718 S	4/2012	Zipfel et al.	D749,027 S	2/2016	McMahan et al.
D657,798 S *	4/2012	Platt D15/5	D749,246 S	2/2016	Thole et al.
D659,052 S	5/2012	Ware et al.	D749,249 S	2/2016	Thole et al.
D659,053 S	5/2012	Ware et al.	D749,250 S	2/2016	Thole et al.
D668,182 S	10/2012	Franco et al.	D749,985 S	2/2016	Kozub et al.
D668,183 S	10/2012	Smart	D749,997 S	2/2016	McMahan et al.
D670,360 S *	11/2012	Platt D23/249	D750,001 S	2/2016	Thole et al.
D678,820 S	3/2013	Son et al.	D753,032 S	4/2016	Smith et al.
D678,821 S	3/2013	Ikeda et al.	D753,033 S	4/2016	Thole et al.
D680,909 S	4/2013	Munson et al.	D753,034 S	4/2016	Thole et al.
D680,910 S	4/2013	David	D753,035 S	4/2016	Boniface et al.
D684,899 S	6/2013	Baker	D753,559 S	4/2016	McMahan et al.
D686,536 S	7/2013	McCabe et al.	D753,560 S	4/2016	McMahan et al.
D692,798 S	11/2013	Thurber	D753,567 S	4/2016	Boniface et al.
D692,799 S	11/2013	Smith et al.	D754,571 S	4/2016	Boniface et al.
D696,157 S	12/2013	Loeb	D754,572 S	4/2016	McMahan et al.
D699,629 S	2/2014	Ikeda et al.	D755,088 S	5/2016	McMahan et al.
D700,288 S *	2/2014	Santos D23/249	D756,869 S	5/2016	McMahan et al.
D700,871 S	3/2014	O'Donnell et al.	D758,271 S	6/2016	McMahan et al.
D703,103 S	4/2014	Lee	D764,975 S	8/2016	Aengenheyster
D704,103 S	5/2014	Mack et al.	D764,976 S	8/2016	Aengenheyster
D705,132 S	5/2014	Ware et al.	D767,449 S	9/2016	Pevovar et al.
D705,699 S	5/2014	Ware et al.	D767,450 S	9/2016	Lee et al.
D713,298 S	9/2014	Dyson	D767,451 S	9/2016	Kozub et al.
D713,764 S	9/2014	Ferlazzo et al.	D767,454 S	9/2016	McMahan et al.
D716,696 S	11/2014	Thole et al.	D767,458 S	9/2016	Kim
D716,706 S	11/2014	Thole et al.	D767,459 S	9/2016	Kim
D716,709 S	11/2014	Thole et al.	D767,460 S	9/2016	Kozub et al.
D717,696 S	11/2014	Thole et al.	D767,461 S	9/2016	Kozub et al.
D718,189 S	11/2014	Krieg et al.	D771,528 S	11/2016	Smith et al.
D718,683 S	12/2014	Thole et al.	D771,529 S	11/2016	Thole et al.
D722,282 S	2/2015	Loeb	D771,532 S	11/2016	Kapitonov
D722,533 S	2/2015	Thole et al.	D771,533 S	11/2016	Kapitonov
D722,534 S	2/2015	Munson et al.	D772,766 S	11/2016	Kozub et al.
D724,510 S	3/2015	McMahan et al.	D772,767 S	11/2016	Kim
D725,001 S	3/2015	McMahan et al.	D773,084 S	11/2016	Kapitonov
D726,591 S	4/2015	Jacob	D773,086 S	11/2016	McCabe et al.
D727,362 S *	4/2015	Platt D15/5	D774,226 S	12/2016	McCabe et al.
D730,776 S	6/2015	Smart	D775,003 S	12/2016	Pevovar et al.
D730,783 S	6/2015	Henriques et al.	D775,007 S	12/2016	Thole et al.
D732,427 S	6/2015	Loeb	D775,010 S	12/2016	Kim et al.
D732,429 S	6/2015	Loeb	D775,049 S	12/2016	Scheer et al.
D732,430 S	6/2015	Loeb	D775,549 S	1/2017	Karras
D732,431 S	6/2015	Loeb	D775,554 S	1/2017	Kapitonov
D732,432 S	6/2015	Aengenheyster	D776,020 S	1/2017	Kapitonov
D732,433 S	6/2015	Aengenheyster	D776,581 S	1/2017	Pevovar et al.
D732,435 S	6/2015	Mackay	D776,583 S	1/2017	Scheer et al.
D733,002 S	6/2015	Loeb	D776,841 S	1/2017	Kozub et al.
D735,611 S	8/2015	Aengenheyster	D776,843 S	1/2017	McCabe et al.
D735,627 S	8/2015	Smith et al.	D776,846 S	1/2017	Willett et al.
D735,759 S *	8/2015	Chan D15/5	D777,359 S	1/2017	Kozub et al.
D736,451 S	8/2015	Smith et al.	D777,360 S	1/2017	Kozub et al.
D739,306 S	9/2015	McMahan et al.	D777,361 S	1/2017	Kozub et al.
D739,317 S	9/2015	McMahan et al.	D777,604 S	1/2017	McNerney
D741,223 S	10/2015	Kim et al.	D777,605 S	1/2017	Ferlazzo et al.
D743,309 S	11/2015	Thole et al.	D777,620 S	1/2017	Pevovar et al.
D743,313 S	11/2015	Smith et al.	D777,621 S	1/2017	Kim
D743,314 S	11/2015	Thole et al.	D777,622 S	1/2017	Kozub et al.
D743,857 S	11/2015	McMahan et al.	D777,628 S	1/2017	Kozub et al.
D744,158 S	11/2015	Willett et al.	D777,955 S	1/2017	Willett et al.
D745,086 S	12/2015	Finos et al.	D778,212 S	2/2017	Kozub et al.
D745,719 S	12/2015	Boniface et al.	D778,215 S	2/2017	Kozub et al.
D745,725 S	12/2015	McMahan et al.	D780,064 S	2/2017	Smith et al.
D745,726 S	12/2015	McMahan et al.	D780,067 S	2/2017	Zipfel et al.
D745,837 S	12/2015	Smith et al.	D780,068 S	2/2017	Whitla et al.
			D780,077 S	2/2017	Kim et al.
			D780,081 S	2/2017	Lee
			D780,084 S	2/2017	Scheer et al.
			D780,631 S	3/2017	Kozub et al.

(56)

References Cited

U.S. PATENT DOCUMENTS

D780,644 S	3/2017	Kim et al.	D797,967 S	9/2017	Barry
D781,184 S	3/2017	Thole et al.	D797,970 S	9/2017	Mainville
D781,192 S	3/2017	Kozub et al.	D797,971 S	9/2017	Mainville
D782,379 S	3/2017	Wassell	D797,972 S	9/2017	Whitla et al.
D783,482 S	4/2017	Smith et al.	D798,204 S	9/2017	Mainville
D784,213 S	4/2017	Karras	D799,384 S	10/2017	Kozub et al.
D784,223 S	4/2017	Lee	D799,385 S	10/2017	Kozub et al.
D784,226 S	4/2017	Cheng	D799,386 S	10/2017	Kozub et al.
D784,579 S	4/2017	Cheng et al.	D799,728 S	10/2017	Whitla et al.
D784,877 S	4/2017	Lee	D801,236 S	10/2017	Kozub et al.
D784,886 S	4/2017	Smith et al.	D801,577 S	10/2017	Ruiz
D785,521 S	5/2017	Smith et al.	D801,882 S	11/2017	Kozub et al.
D786,149 S	5/2017	Pevovar et al.	D802,205 S	11/2017	Ruiz
D786,743 S	5/2017	Smith et al.	D802,478 S	11/2017	Perkins
D786,750 S	5/2017	Lee	D802,491 S	11/2017	Mainville
D787,446 S	5/2017	Cockerill	D802,496 S	11/2017	Mainville
D787,984 S	5/2017	Fang	D802,502 S	11/2017	McMahan
D787,988 S	5/2017	Lee	D803,727 S	11/2017	Noone et al.
D787,989 S	5/2017	Kozub et al.	D803,731 S	11/2017	Zipfel
D787,990 S	5/2017	Kozub et al.	D804,370 S	12/2017	Kozub et al.
D787,992 S	5/2017	Lee	D804,371 S	12/2017	Whitla et al.
D787,993 S	5/2017	McCabe et al.	D804,372 S	12/2017	Kozub
D788,001 S	5/2017	Lee	D804,378 S	12/2017	Perkins
D788,641 S	6/2017	Arnold	D804,379 S	12/2017	McMahan
D788,644 S	6/2017	Mueller	D805,006 S	12/2017	Nakamura
D788,645 S	6/2017	Mueller	D805,013 S	12/2017	Whitla
D788,824 S *	6/2017	Choi D15/5	D805,014 S	12/2017	Zipfel
D789,250 S	6/2017	Arnold	D805,441 S	12/2017	Karras
D789,260 S	6/2017	Smith	D805,964 S	12/2017	Whitla
D789,575 S	6/2017	Willett	D805,965 S	12/2017	Davis
D789,841 S	6/2017	Lee	D805,966 S	12/2017	Perkins
D789,849 S	6/2017	Lee	D805,985 S	12/2017	Nakamura
D791,018 S	7/2017	Mylenek	D807,232 S	1/2018	Bailie
D791,644 S	7/2017	Fang	D807,239 S	1/2018	Perkins
D792,290 S	7/2017	Smith et al.	D807,240 S	1/2018	Perkins
D792,293 S	7/2017	McCabe et al.	D807,241 S	1/2018	Perkins
D792,294 S	7/2017	McCabe et al.	D809,442 S	2/2018	Zipfel et al.
D792,295 S	7/2017	McCabe et al.	D810,143 S *	2/2018	Tomlinson D15/5
D792,815 S	7/2017	Kozub	D811,269 S	2/2018	Thompson et al.
D792,816 S	7/2017	Kozub	D811,942 S	3/2018	Jacob
D793,290 S	8/2017	Kozub	D811,957 S	3/2018	Whitla et al.
D793,292 S	8/2017	Lee	D811,958 S	3/2018	Zipfel et al.
D793,293 S	8/2017	Lee et al.	D811,959 S	3/2018	Perkins
D793,294 S	8/2017	Lee	D811,960 S	3/2018	Nakamura
D793,295 S	8/2017	McCabe et al.	D811,961 S	3/2018	Sullivan
D793,296 S	8/2017	Smith et al.	D811,962 S	3/2018	Sullivan
D793,297 S	8/2017	Smith et al.	D811,963 S	3/2018	Sullivan
D793,299 S	8/2017	Krieg et al.	D811,964 S	3/2018	Perkins
D793,301 S	8/2017	Kozub	D811,965 S	3/2018	Moffett et al.
D793,302 S	8/2017	Kozub	D812,104 S *	3/2018	Tomlinson D15/5
D793,311 S	8/2017	Whitla et al.	D812,525 S	3/2018	Lee
D793,590 S	8/2017	Kozub et al.	D812,526 S	3/2018	Zipfel et al.
D793,591 S	8/2017	Kozub et al.	D812,527 S	3/2018	Perkins
D793,917 S	8/2017	Kozub	D812,528 S	3/2018	Nakamura
D793,918 S	8/2017	Kozub	D812,644 S *	3/2018	Tomlinson D15/5
D794,229 S	8/2017	Barry	D813,098 S	3/2018	Thompson et al.
D794,230 S	8/2017	Kozub	D813,109 S	3/2018	Zipfel et al.
D795,747 S	8/2017	Bailie	D813,110 S	3/2018	Whitla et al.
D795,757 S	8/2017	Pevovar et al.	D813,111 S	3/2018	Sullivan
D795,758 S	8/2017	Karras	D813,116 S	3/2018	Park
D795,759 S	8/2017	Kozub et al.	D813,117 S	3/2018	Sullivan
D795,760 S	8/2017	Kozub et al.	D813,121 S	3/2018	Swaneger
D795,762 S	8/2017	Lee	D813,730 S	3/2018	Zipfel et al.
D795,763 S	8/2017	Kozub	D813,731 S	3/2018	McMahan
D796,088 S	8/2017	McCabe et al.	D813,732 S	3/2018	Whitla et al.
D796,093 S	8/2017	Mainville	D813,733 S	3/2018	Lee
D796,390 S	9/2017	Pevovar et al.	D813,734 S	3/2018	Nakamura
D797,537 S	9/2017	Cooper et al.	D813,740 S	3/2018	Park
D797,603 S	9/2017	Noone et al.	D813,741 S	3/2018	Perkins
D797,614 S	9/2017	Lee	D813,742 S	3/2018	McMahan et al.
D797,616 S	9/2017	Lee	D813,743 S	3/2018	Lee
D797,624 S	9/2017	Nakamura	D813,744 S	3/2018	Whitla et al.
D797,625 S	9/2017	Perkins	D813,748 S	3/2018	Kim
D797,631 S	9/2017	Pevovar et al.	D813,753 S	3/2018	Loeb
D797,632 S	9/2017	Zipfel et al.	D813,754 S	3/2018	Loeb
			D813,755 S	3/2018	Loeb
			D813,756 S	3/2018	Loeb
			D813,757 S	3/2018	Kozub
			D813,758 S	3/2018	Gonzales

(56)

References Cited

U.S. PATENT DOCUMENTS

D813,759 S	3/2018	Perkins		D837,105 S	1/2019	Loeb	
D813,910 S *	3/2018	Tomlinson	D15/5	D837,109 S	1/2019	Kozub et al.	
D814,369 S	4/2018	Loeb		D837,263 S *	1/2019	VerSchave	D15/5
D814,982 S	4/2018	Whitla et al.		D837,424 S	1/2019	Whitla et al.	
D814,983 S	4/2018	Whitla et al.		D838,015 S	1/2019	McMahan et al.	
D815,570 S	4/2018	McMahan et al.		D838,016 S	1/2019	McMahan et al.	
D815,572 S	4/2018	Perkins		D838,390 S	1/2019	McMahan et al.	
D815,573 S	4/2018	Whitla et al.		D838,391 S	1/2019	McMahan et al.	
D815,574 S	4/2018	Mainville		D839,157 S	1/2019	Smith et al.	
D815,985 S	4/2018	Mueller		D839,163 S	1/2019	Pinazzo et al.	
D815,993 S	4/2018	Kozub et al.		D839,164 S	1/2019	Zipfel	
D815,994 S	4/2018	Nakamura		D839,460 S	1/2019	Zipfel et al.	
D816,003 S	4/2018	Perkins		D840,068 S	2/2019	Zipfel et al.	
D816,558 S	5/2018	McMahan et al.		D840,069 S	2/2019	Perkins	
D816,559 S	5/2018	McMahan et al.		D840,285 S	2/2019	Mack et al.	
D816,561 S	5/2018	McMahan		D840,286 S	2/2019	Mack et al.	
D816,562 S	5/2018	Whitla et al.		D840,293 S	2/2019	Koo et al.	
D816,563 S	5/2018	McMahan et al.		D840,302 S	2/2019	O'Donnell et al.	
D816,564 S	5/2018	Kim		D840,303 S	2/2019	Park Cheng	
D816,565 S	5/2018	Kim		D840,306 S	2/2019	Kozub	
D816,566 S	5/2018	Loeb		D840,565 S	2/2019	Whitla et al.	
D817,836 S	5/2018	McMahan et al.		D840,570 S	2/2019	Kim et al.	
D818,156 S	5/2018	Kim et al.		D840,571 S	2/2019	Zipfel et al.	
D818,157 S	5/2018	Zipfel et al.		D840,572 S	2/2019	Perkins	
D818,158 S	5/2018	Zipfel et al.		D840,885 S	2/2019	Park Cheng	
D818,159 S	5/2018	Zipfel et al.		D841,527 S	2/2019	Kozub et al.	
D818,160 S	5/2018	Perkins		D841,532 S	2/2019	Koo et al.	
D818,406 S	5/2018	McMahan et al.		D841,540 S	2/2019	Koo et al.	
D818,876 S	5/2018	Whitla et al.		D841,541 S	2/2019	Krieg	
D818,877 S	5/2018	Nakamura et al.		D841,542 S	2/2019	Koo et al.	
D818,878 S	5/2018	McMahan et al.		D841,547 S	2/2019	Zipfel et al.	
D818,892 S	5/2018	Lee		D841,843 S	2/2019	Park	
D818,893 S	5/2018	Kim		D841,844 S	2/2019	Perkins	
D818,903 S	5/2018	Zipfel et al.		D841,845 S	2/2019	Park	
D818,906 S	5/2018	McMahan		D842,178 S	3/2019	Pinazzo et al.	
D818,907 S	5/2018	Whitla et al.		D842,306 S	3/2019	Lindo et al.	
D818,915 S	5/2018	Kozub et al.		D843,023 S	3/2019	Whitla et al.	
D818,922 S	5/2018	Whitla et al.		D843,024 S	3/2019	Hochmuth	
D819,505 S	6/2018	McMahan et al.		D843,025 S	3/2019	Smith et al.	
D819,519 S	6/2018	Whitla et al.		D843,275 S	3/2019	Koo et al.	
D821,617 S	6/2018	Perkins		D843,280 S	3/2019	Thurber et al.	
D822,550 S	7/2018	Wassell et al.		D843,614 S	3/2019	Whitla et al.	
D822,551 S	7/2018	McMahan et al.		D843,616 S	3/2019	Smith et al.	
D823,188 S	7/2018	Loeb		D843,617 S	3/2019	Smith et al.	
D823,738 S	7/2018	Kim		D843,891 S	3/2019	Thompson et al.	
D823,741 S	7/2018	Kim		D843,904 S	3/2019	Kim	
D823,762 S	7/2018	Loeb		D844,184 S	3/2019	Whitla et al.	
D823,763 S	7/2018	Koo et al.		D844,185 S	3/2019	Hochmuth	
D824,811 S	8/2018	Mainville		D844,186 S	3/2019	Smith et al.	
D824,812 S	8/2018	Loeb		D845,184 S	4/2019	Zipfel	
D824,824 S	8/2018	Kim		D845,186 S	4/2019	Koo et al.	
D824,825 S	8/2018	Loeb		D845,187 S	4/2019	Pinazzo et al.	
D825,083 S	8/2018	Perkins		D845,188 S	4/2019	Pinazzo et al.	
D825,388 S	8/2018	Karras et al.		D845,189 S	4/2019	Pinazzo et al.	
D825,403 S	8/2018	Whitla et al.		D845,190 S	4/2019	Zipfel	
D826,114 S	8/2018	Smith et al.		D845,196 S	4/2019	Kozub	
D826,435 S	8/2018	Kim		D845,518 S	4/2019	Kozub	
D826,803 S	8/2018	Smith et al.		D845,519 S	4/2019	Zipfel	
D827,506 S	9/2018	McMahan et al.		D846,448 S	4/2019	Loeb	
D827,508 S	9/2018	Whitla et al.		D846,457 S	4/2019	Koo et al.	
D827,510 S	9/2018	Kim		D846,458 S	4/2019	Mack et al.	
D827,527 S	9/2018	Loeb		D846,769 S	4/2019	Koo et al.	
D828,246 S	9/2018	Loeb		D846,770 S	4/2019	Kozub	
D828,261 S	9/2018	Moffett et al.		D846,771 S	4/2019	Zipfel	
D828,935 S	9/2018	Hochmuth		D846,772 S	4/2019	Pinazzo et al.	
D829,622 S	10/2018	Jacob		D847,027 S	4/2019	Loeb	
D830,241 S	10/2018	Kozub		D847,028 S	4/2019	Loeb	
D830,242 S	10/2018	Zipfel		D847,038 S	4/2019	Loeb	
D830,252 S	10/2018	Swanseger		D847,041 S	4/2019	Blanski et al.	
D830,258 S	10/2018	McMahan et al.		D847,042 S	4/2019	Pinazzo et al.	
D830,261 S	10/2018	Jacob		D847,043 S	4/2019	Kozub	
D830,589 S	10/2018	Henriques		D847,044 S	4/2019	Zipfel	
D832,752 S	11/2018	Lee		D847,045 S	4/2019	Whitla et al.	
D835,003 S	12/2018	Thompson et al.		D847,046 S	4/2019	Whitla et al.	
D835,012 S	12/2018	Smith et al.		D847,047 S	4/2019	Krieg et al.	
				D847,390 S	4/2019	Koo et al.	
				D847,391 S	4/2019	Pinazzo et al.	
				D847,392 S	4/2019	Zipfel	
				D847,699 S	5/2019	Kozub	

(56)

References Cited

U.S. PATENT DOCUMENTS

D847,700 S	5/2019	Kozub	D850,341 S	6/2019	Riggs et al.	
D847,701 S	5/2019	Kozub	D850,989 S	6/2019	Kozub	
D847,702 S	5/2019	Zipfel	D851,002 S	6/2019	Kozub	
D847,703 S	5/2019	Kozub	D851,541 S	6/2019	Pinazzo	
D847,704 S	5/2019	Zipfel	D851,542 S	6/2019	Mack	
D847,705 S	5/2019	Zipfel	D851,547 S	6/2019	Mack et al.	
D847,707 S	5/2019	Park Cheng et al.	D851,548 S	6/2019	Mack et al.	
D847,714 S	5/2019	Mack et al.	D851,549 S	6/2019	Mack et al.	
D848,315 S	5/2019	Koo et al.	D851,550 S	6/2019	Mack et al.	
D848,318 S	5/2019	McMahan et al.	D851,551 S	6/2019	Mack et al.	
D848,320 S	5/2019	Pinazzo et al.	D851,552 S	6/2019	Mack et al.	
D848,322 S	5/2019	Mack et al.	D851,555 S	6/2019	Whitla et al.	
D848,323 S	5/2019	Mack et al.	D851,556 S	6/2019	Thurber et al.	
D848,324 S	5/2019	Thurber et al.	D851,557 S	6/2019	Thurber et al.	
D848,325 S	5/2019	Thurber et al.	D851,558 S	6/2019	Thurber et al.	
D848,647 S	5/2019	Kozub	D851,559 S	6/2019	Thurber et al.	
D848,908 S	5/2019	Krieg	D851,560 S	6/2019	Yong et al.	
D848,909 S	5/2019	Lee	D851,561 S	6/2019	Yong et al.	
D848,911 S	5/2019	De Leon	2003/0089328 A1 *	5/2003	McGloin	F02F 7/006 123/193.5
D848,915 S	5/2019	Izard	2003/0214082 A1 *	11/2003	Jones	F01M 13/0416 264/523
D849,627 S	5/2019	Zipfel	2006/0006613 A1 *	1/2006	Seymour, II	F02F 7/006 277/644
D849,629 S	5/2019	De Leon				
D849,630 S	5/2019	De Leon				

* cited by examiner

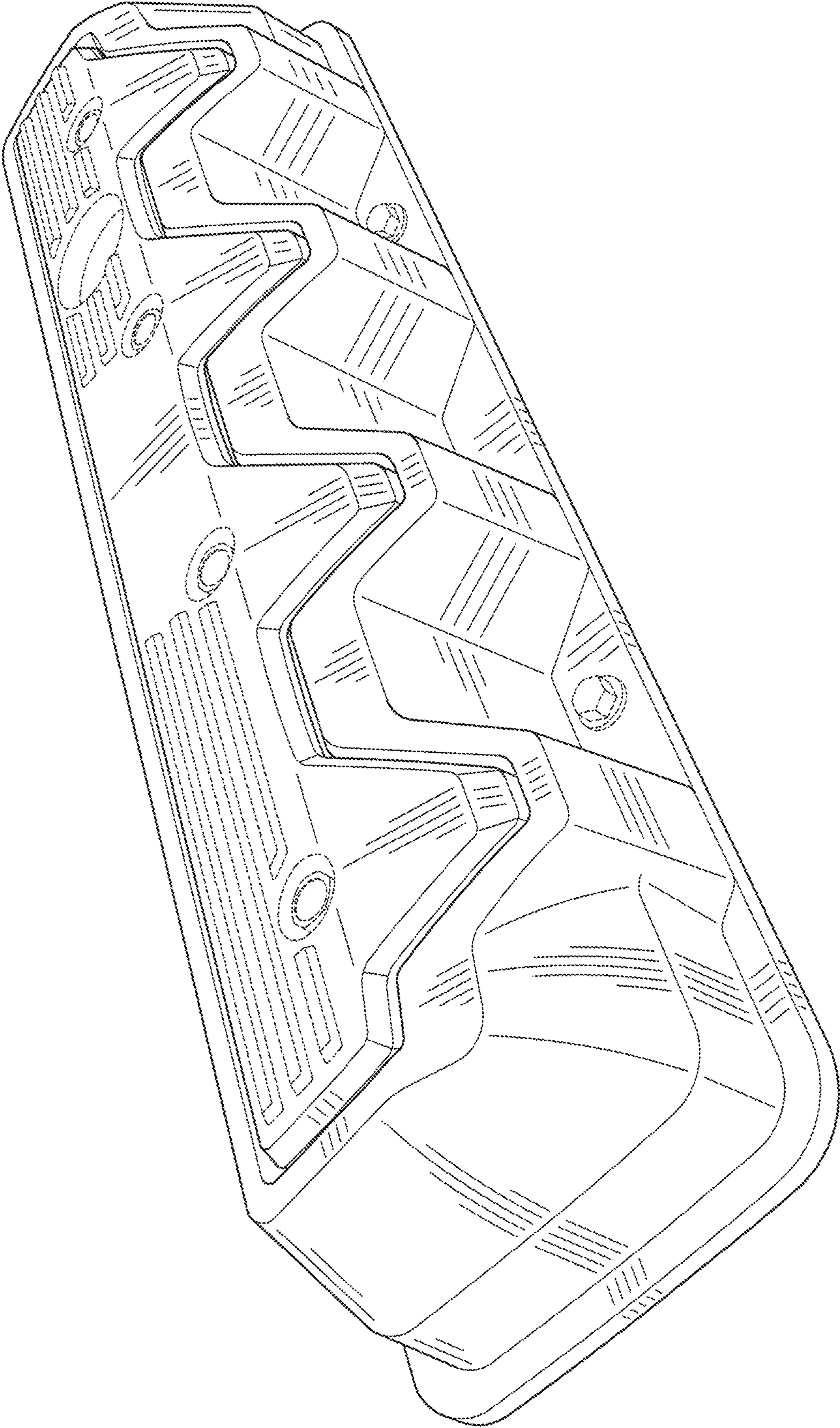


FIG. 1

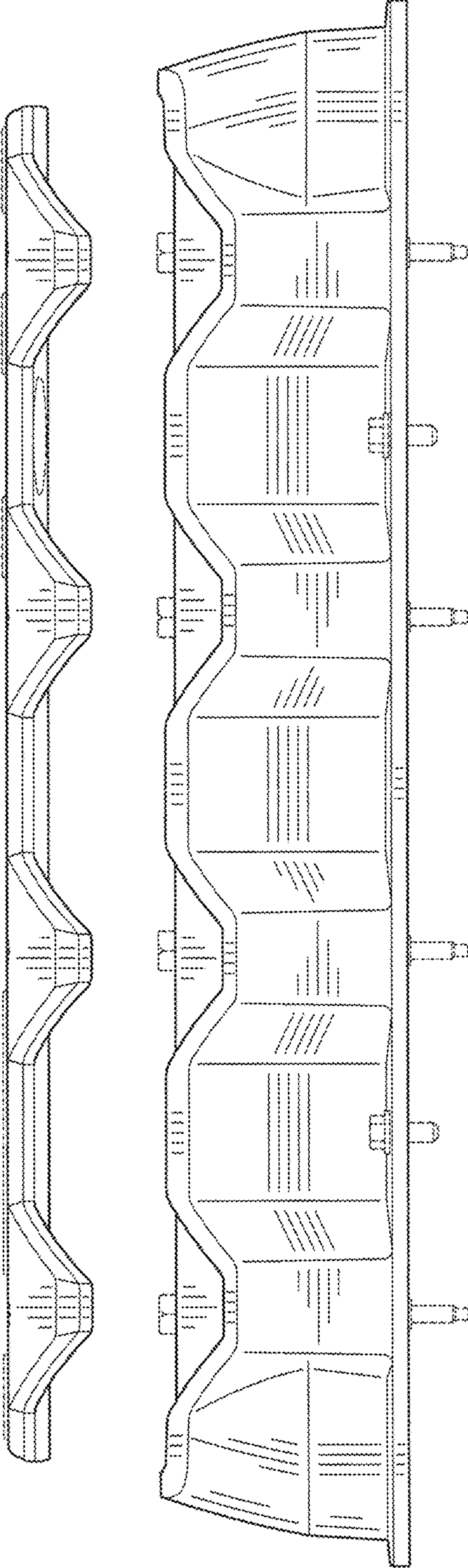


FIG. 2

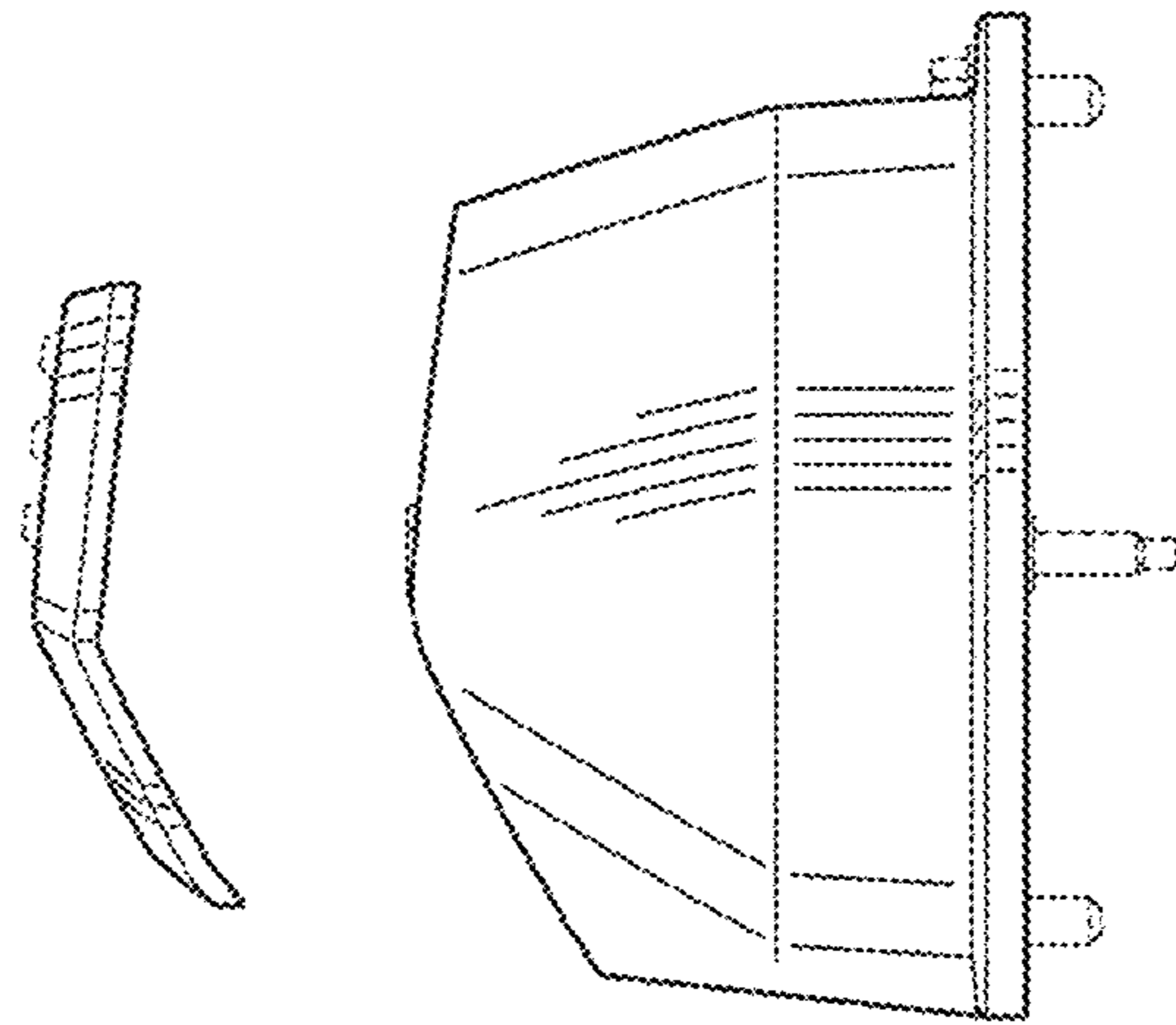


FIG. 3

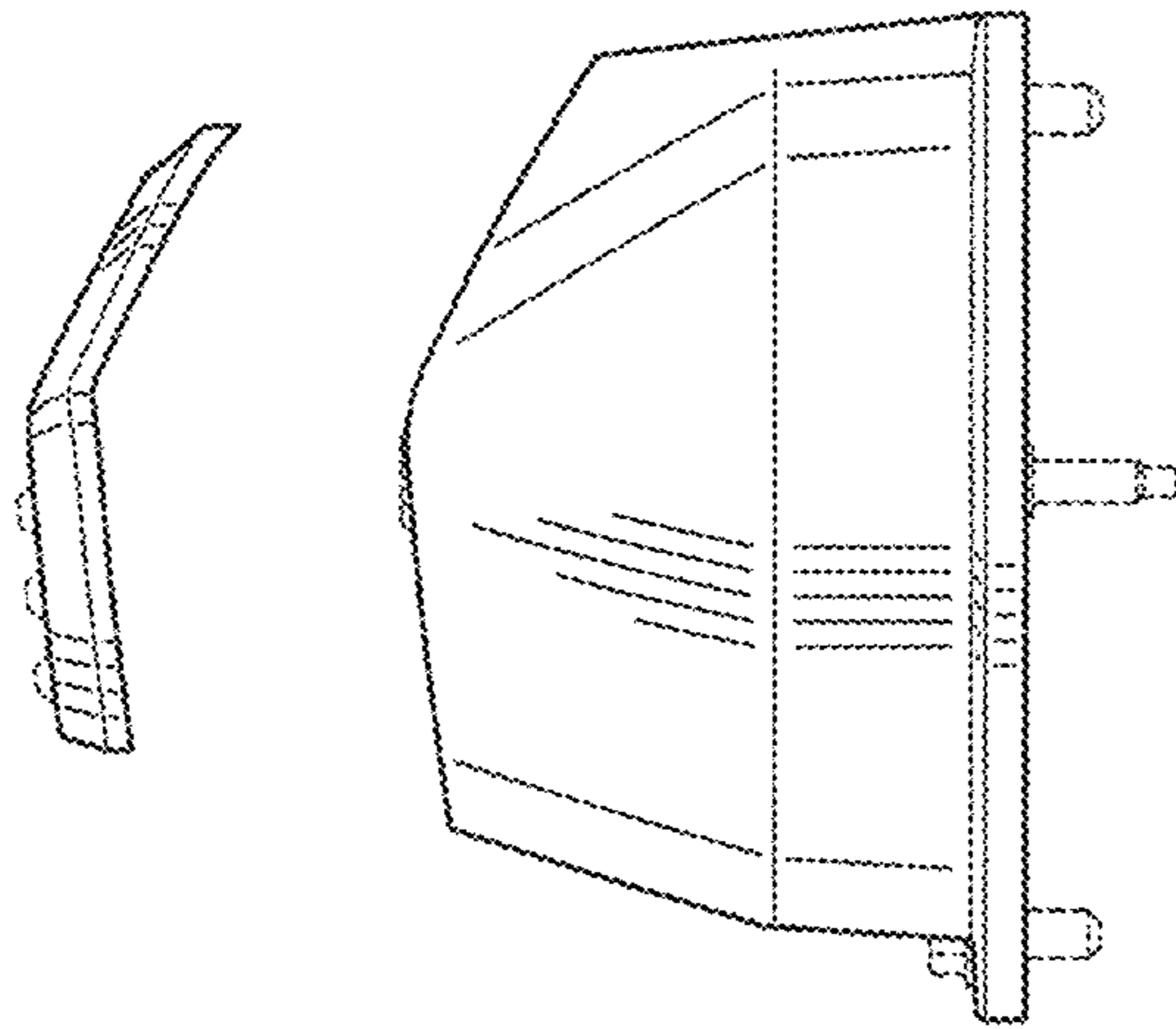


FIG. 4

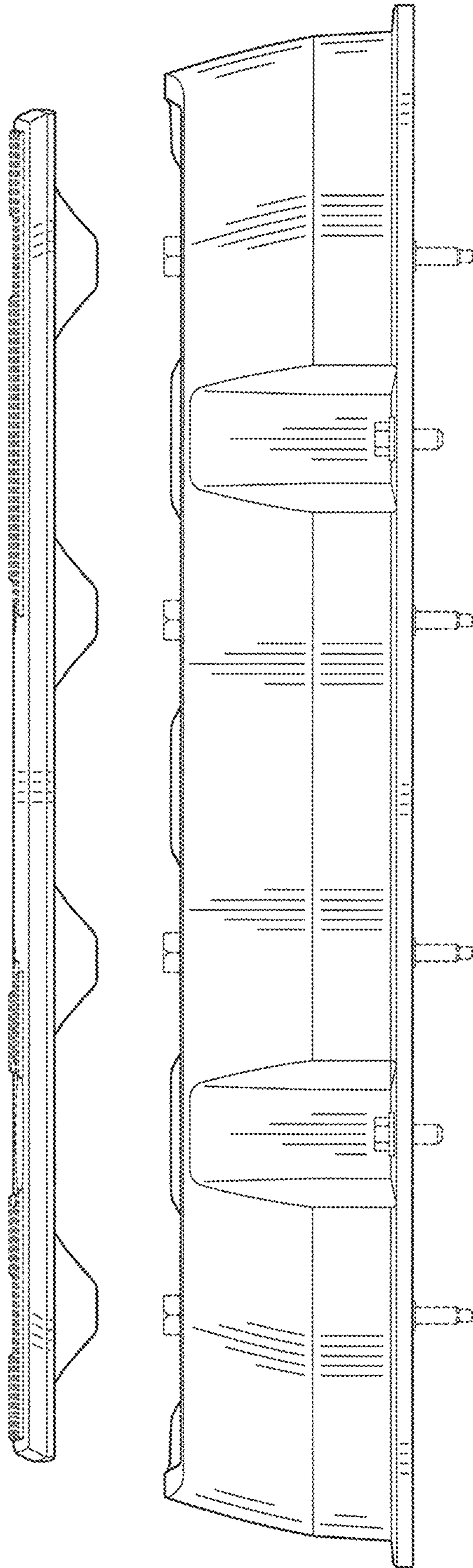


FIG. 5

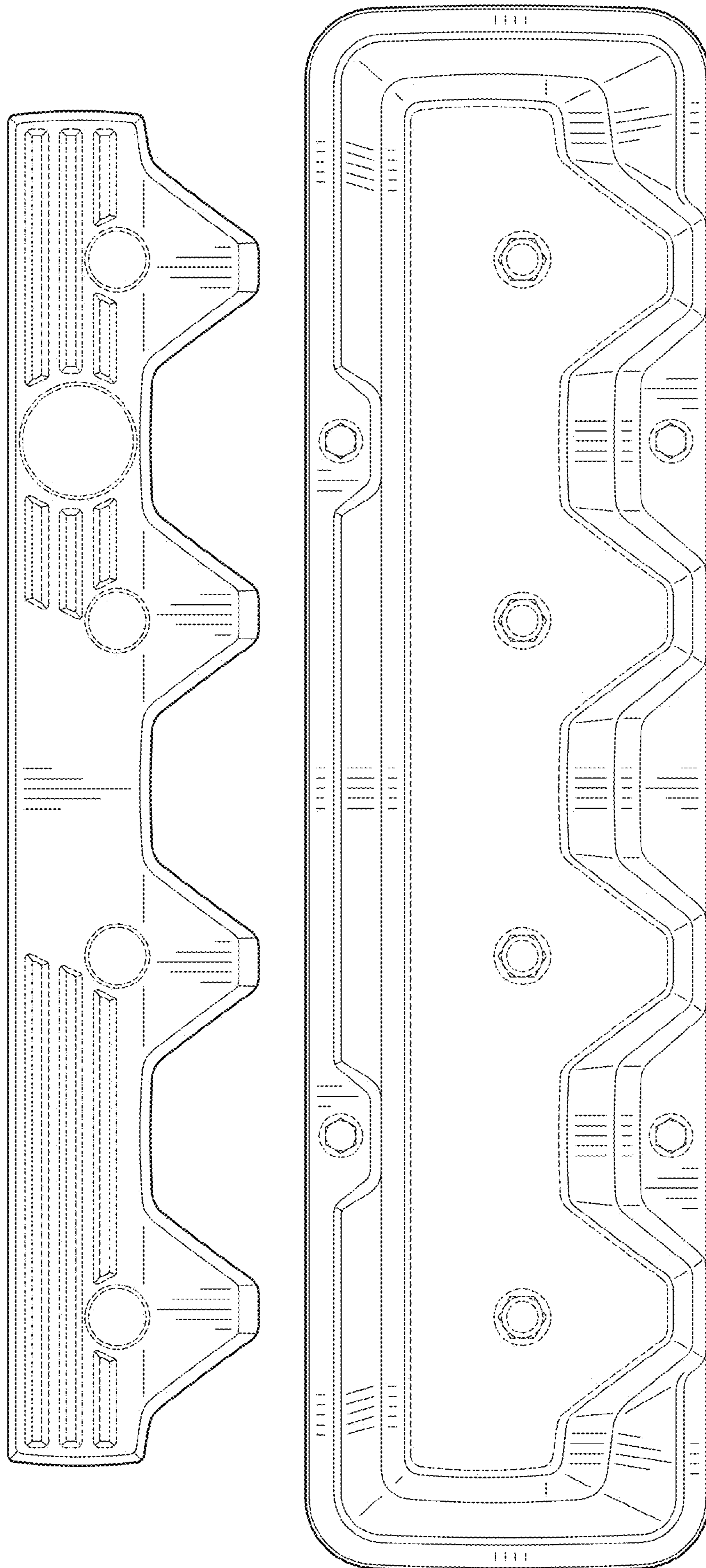


FIG. 6

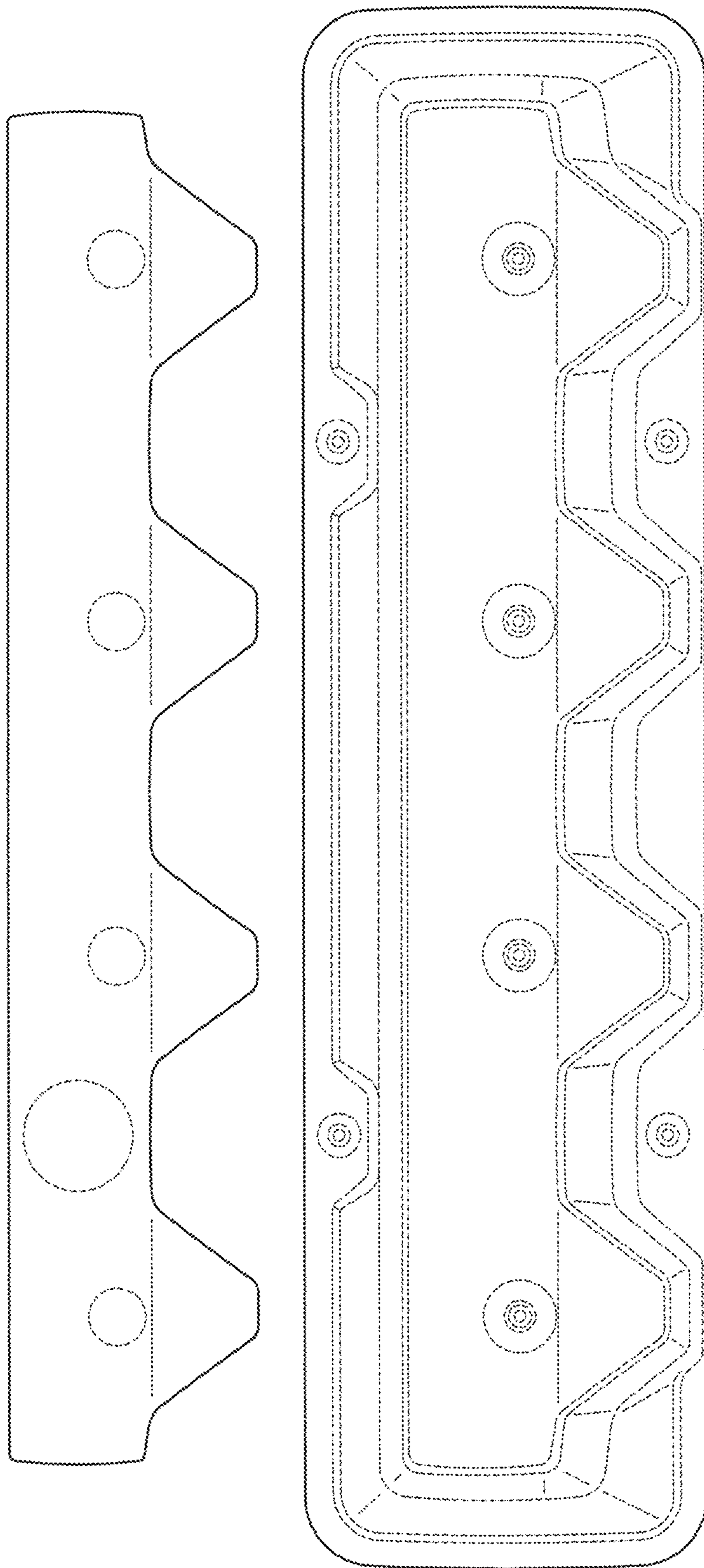


FIG. 7