



US00D924934S

(12) **United States Design Patent** (10) **Patent No.:** **US D924,934 S**
Zhao et al. (45) **Date of Patent:** **** Jul. 13, 2021**

(54) **STATOR HOUSING FOR AN ELECTRICAL MOTOR OF AN ELECTRIC VEHICLE**

(71) Applicant: **SIEMENS AKTIENGESELLSCHAFT**, München (DE)

(72) Inventors: **Han Wang Zhao**, Tianjin (CN); **Yan Wei Song**, Tianjin (CN)

(73) Assignee: **SIEMENS AKTIENGESELLSCHAFT**, Munich (DE)

(**) Term: **15 Years**

(21) Appl. No.: **29/646,921**

(22) Filed: **May 8, 2018**

(30) **Foreign Application Priority Data**

Nov. 9, 2017 (CN) 201730550953.X

(51) **LOC (13) Cl.** **15-01**

(52) **U.S. Cl.**
USPC **D15/5; D13/112**

(58) **Field of Classification Search**
USPC D15/5, 4; D13/112, 113, 114, 122, 123, D13/199, 184
CPC H02K 15/14; B60K 7/0007; B60K 200/0092; B60L 15/2009; Y02T 10/72; Y02T 10/7275
See application file for complete search history.

(56) **References Cited**

U.S. PATENT DOCUMENTS

D527,739 S * 9/2006 De Luca D15/5
D694,186 S * 11/2013 Terashita D13/112

D696,628 S * 12/2013 Hutchinson D13/114
D713,339 S * 9/2014 Hutchinson D13/114
D812,566 S * 3/2018 Kaneko D13/112
D813,164 S * 3/2018 Kaneko D13/112
10,177,631 B1 * 1/2019 Hopkins H02K 1/12
2014/0353055 A1 * 12/2014 Kronfeld B60L 50/52
180/65.31
2019/0283612 A1 * 9/2019 Morita F16H 3/728

* cited by examiner

Primary Examiner — Ania Aman

(74) *Attorney, Agent, or Firm* — Henry M. Feiereisen LLC

(57) **CLAIM**

The ornamental design for a stator housing for an electrical motor of an electric vehicle, as shown and described.

DESCRIPTION

FIG. 1 is a front view of a stator housing for an electrical motor of an electric vehicle, showing our new design; FIG. 2 is a rear view thereof; FIG. 3 is a top view thereof; FIG. 4 is a bottom view thereof; FIG. 5 is a right side view thereof; FIG. 6 is a left side view thereof; FIG. 7 is a top, front and left side perspective view thereof; and, FIG. 8 is a top, rear and right side perspective view thereof. The broken line portion of the figure drawings is included to show unclaimed subject matter only and forms no part of the claimed design.

1 Claim, 8 Drawing Sheets

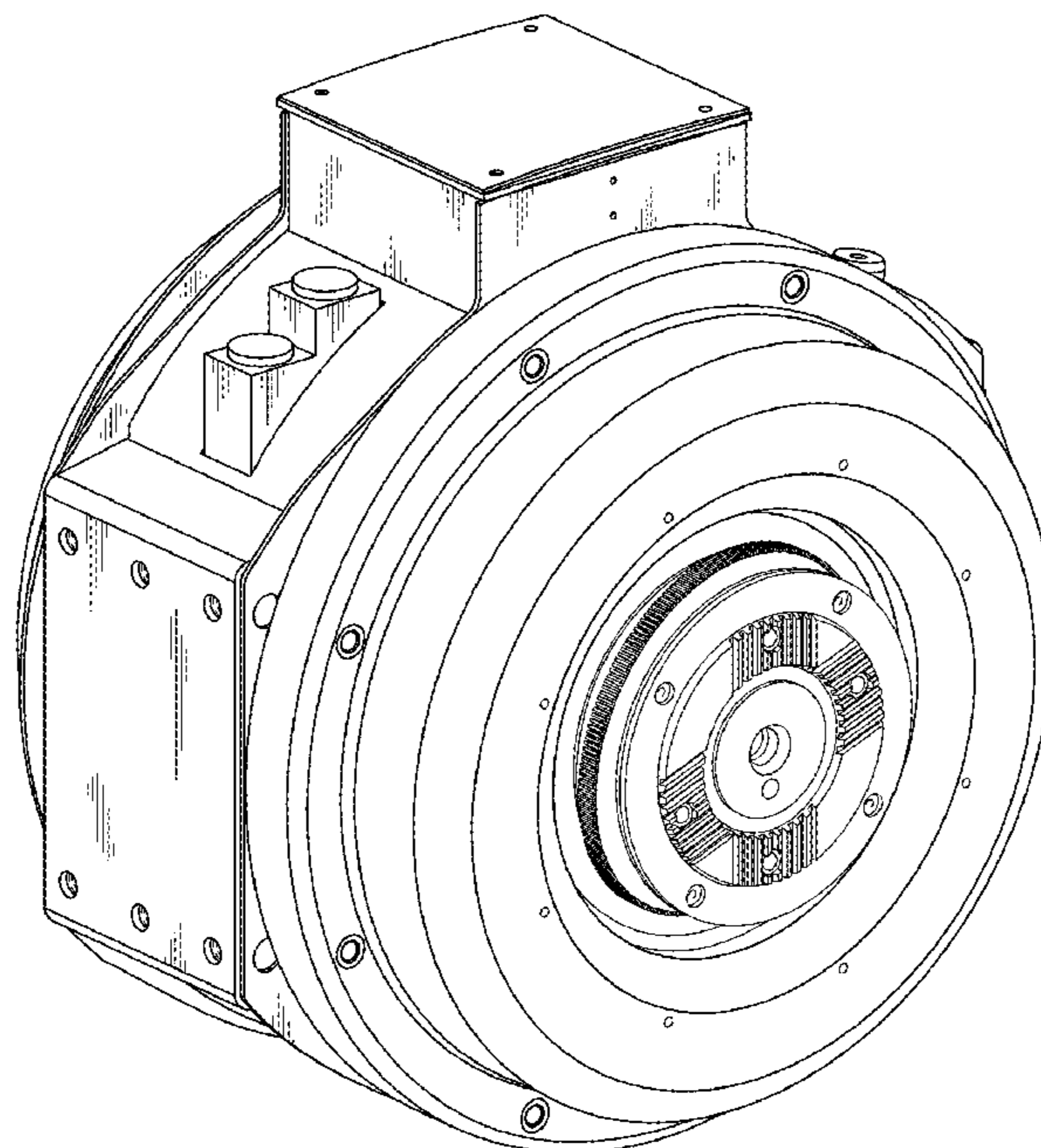


FIG. 1

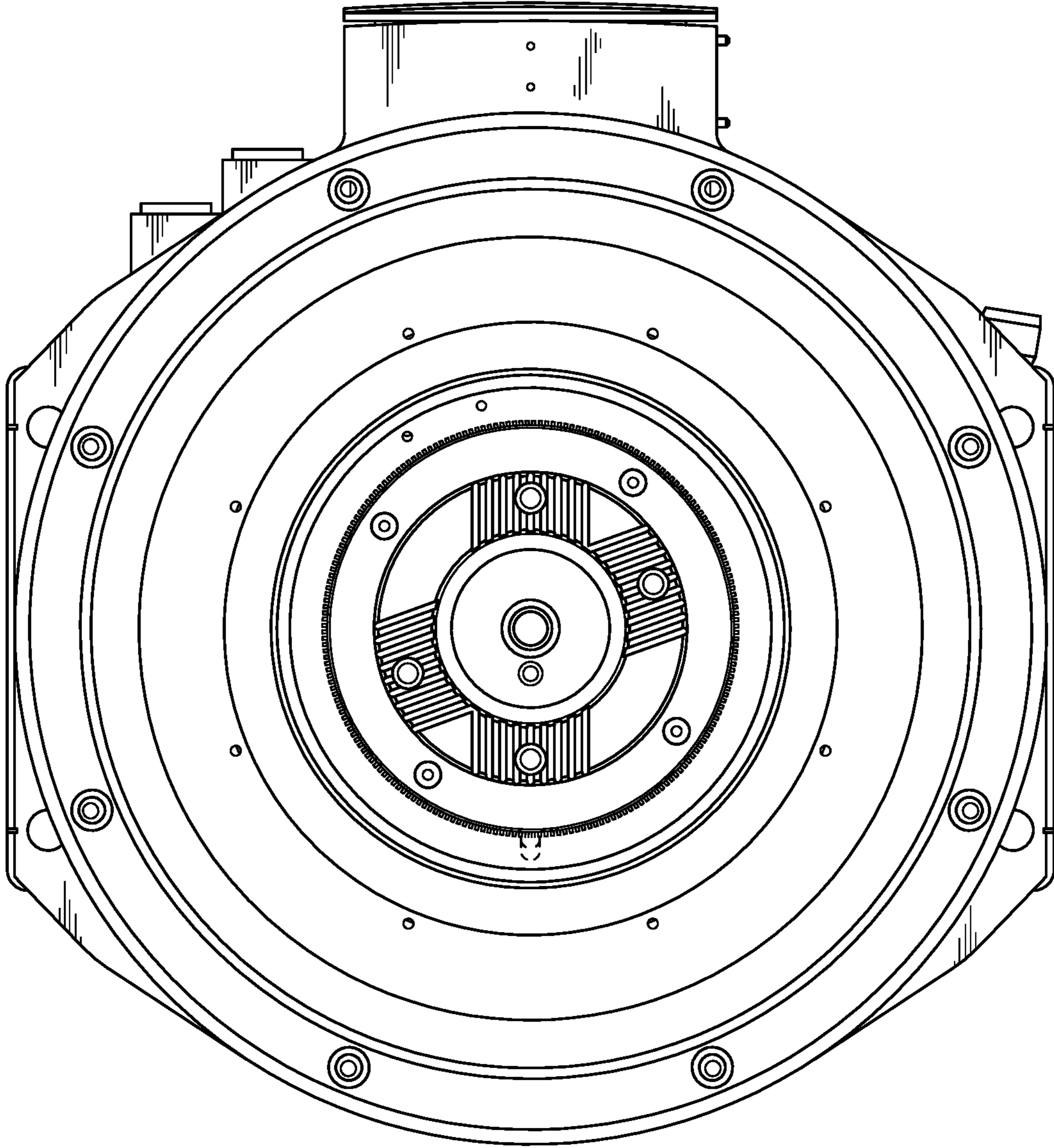


FIG. 2

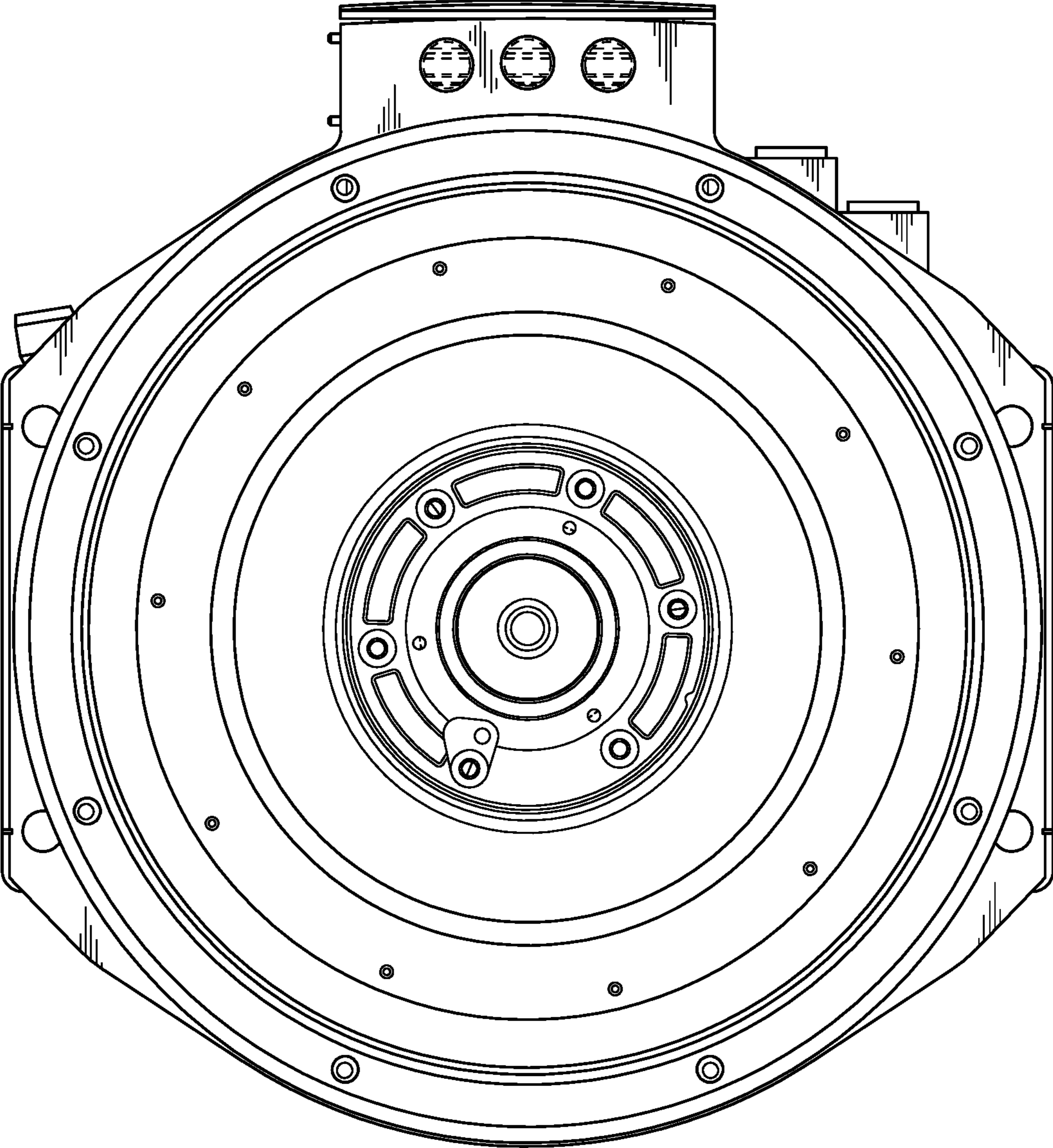


FIG. 3

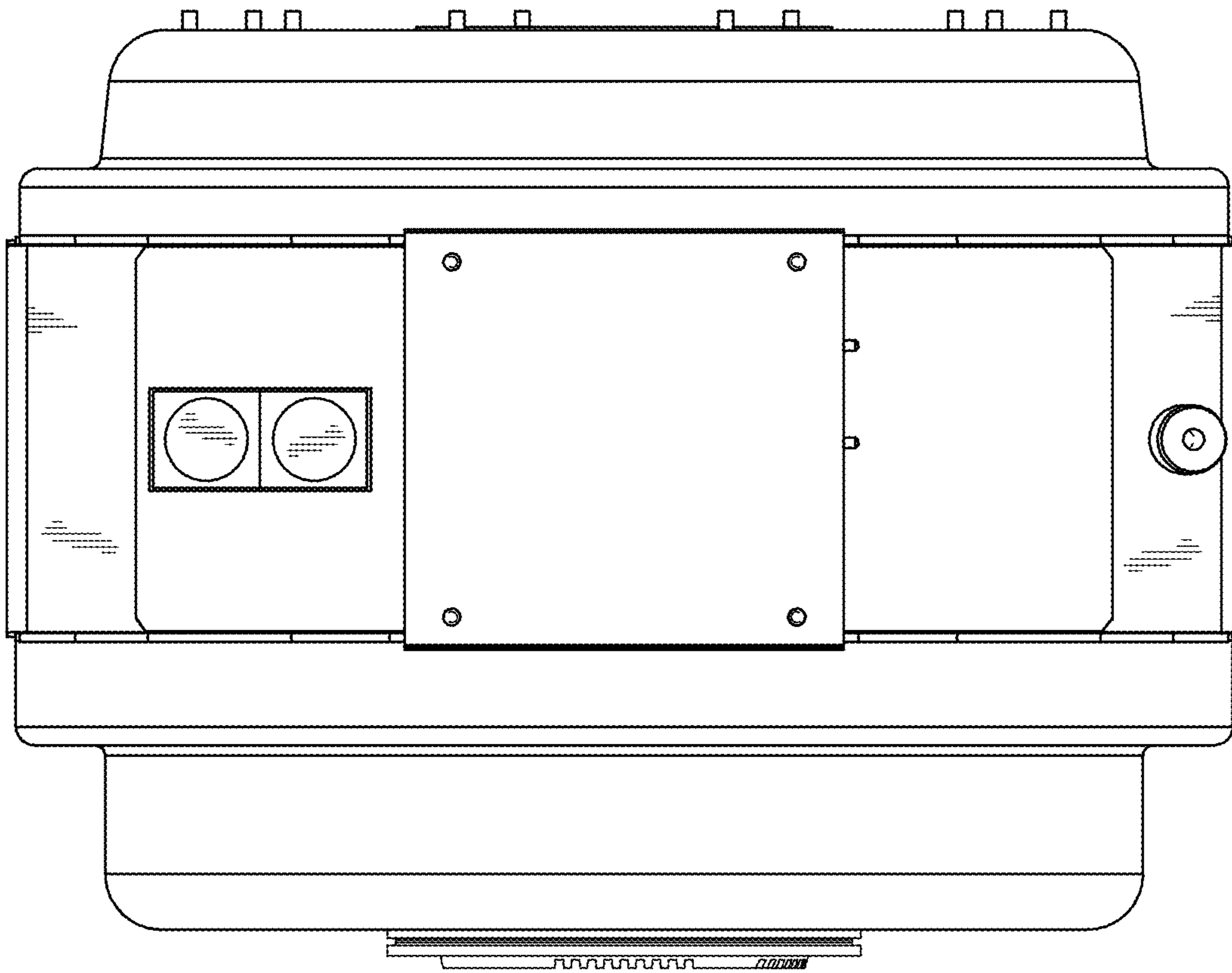


FIG. 4

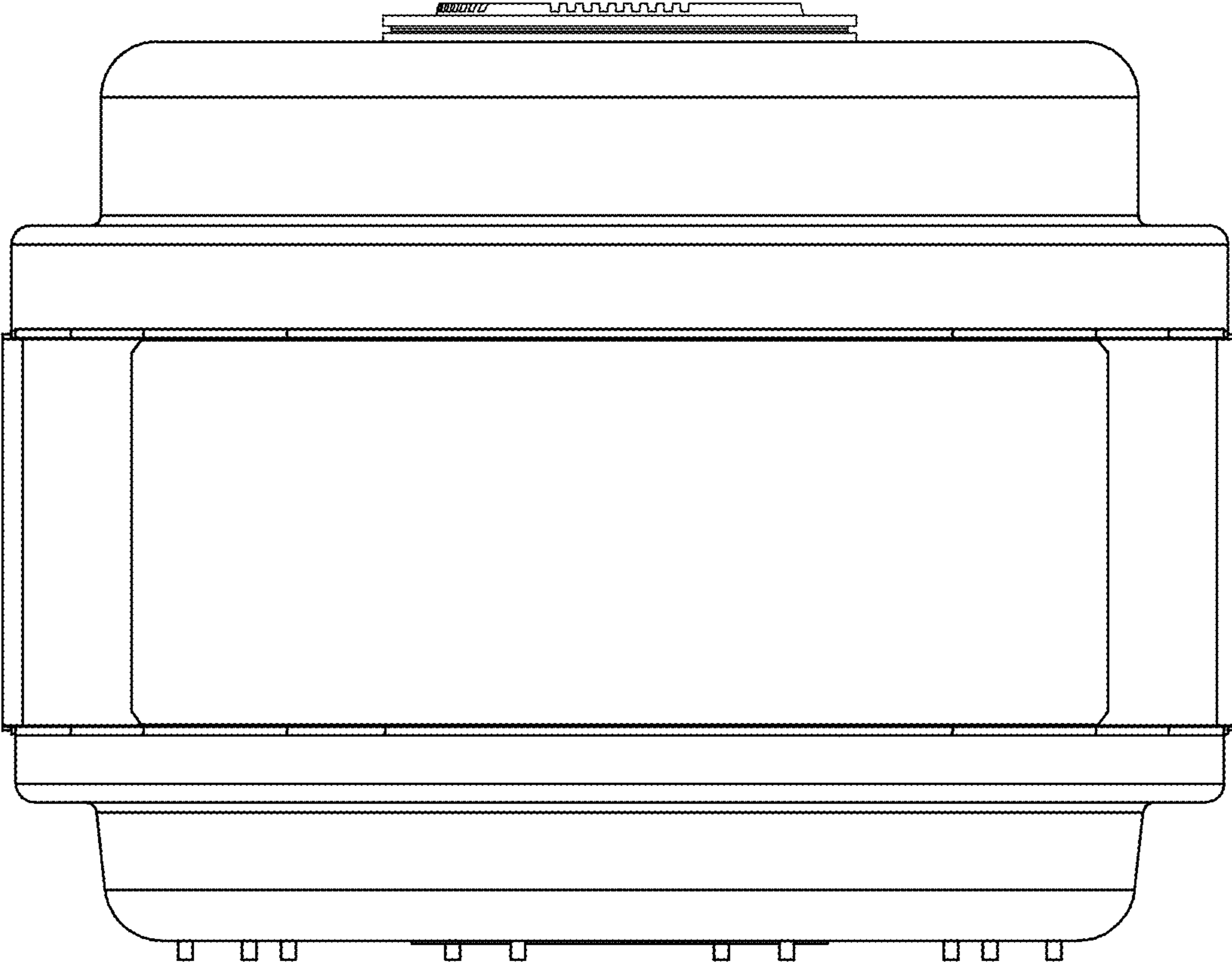


FIG. 5

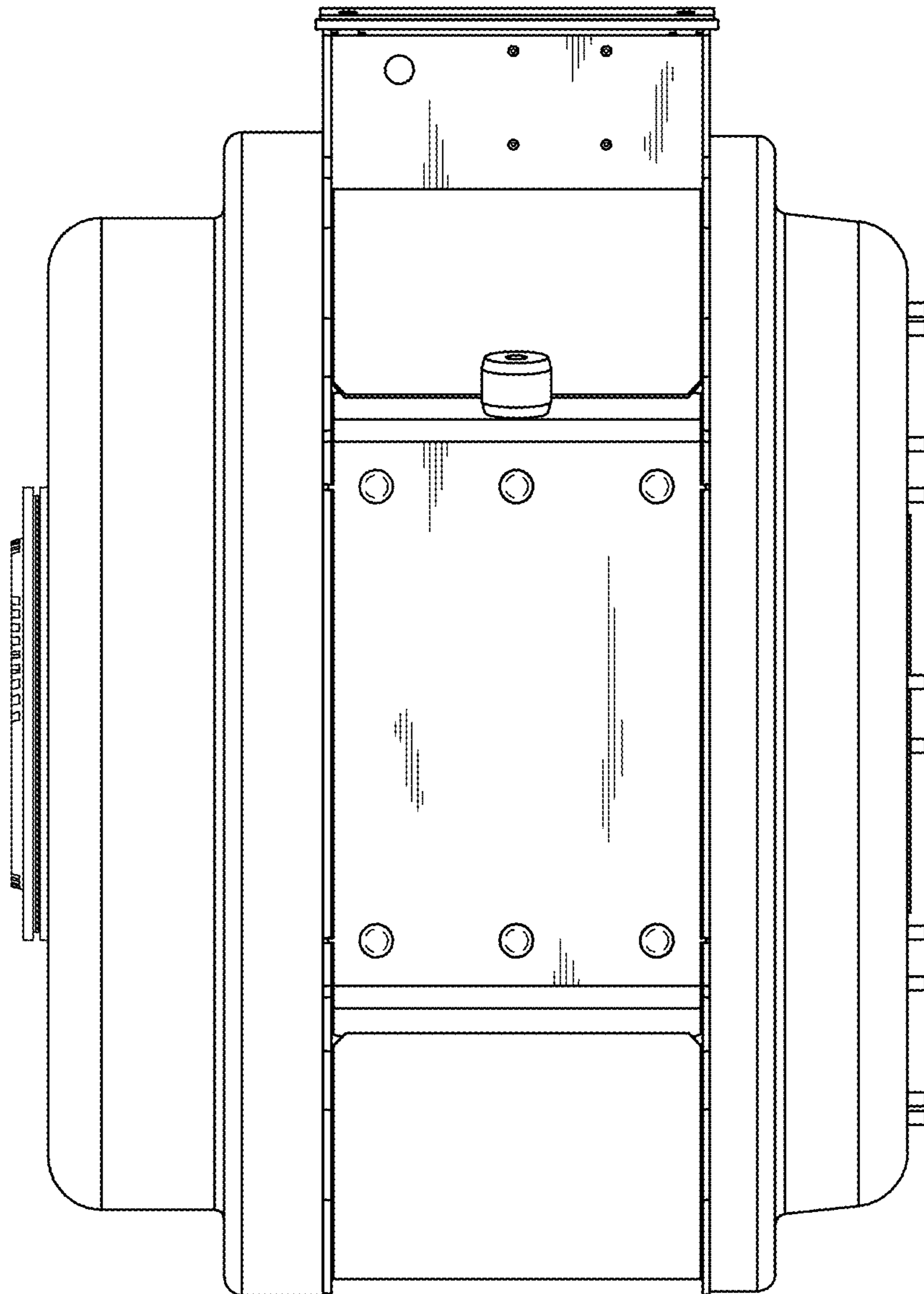


FIG. 6

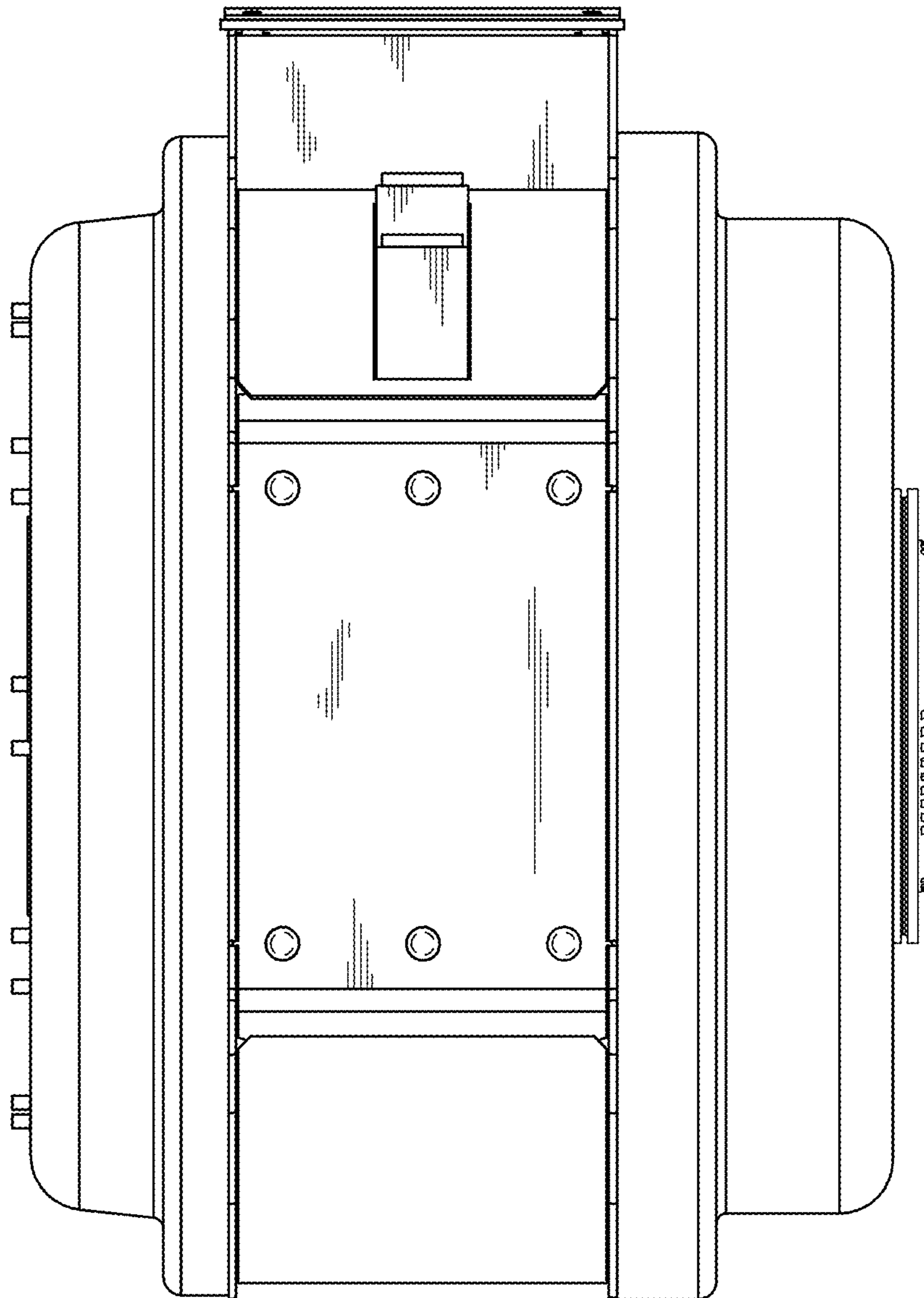


FIG. 7

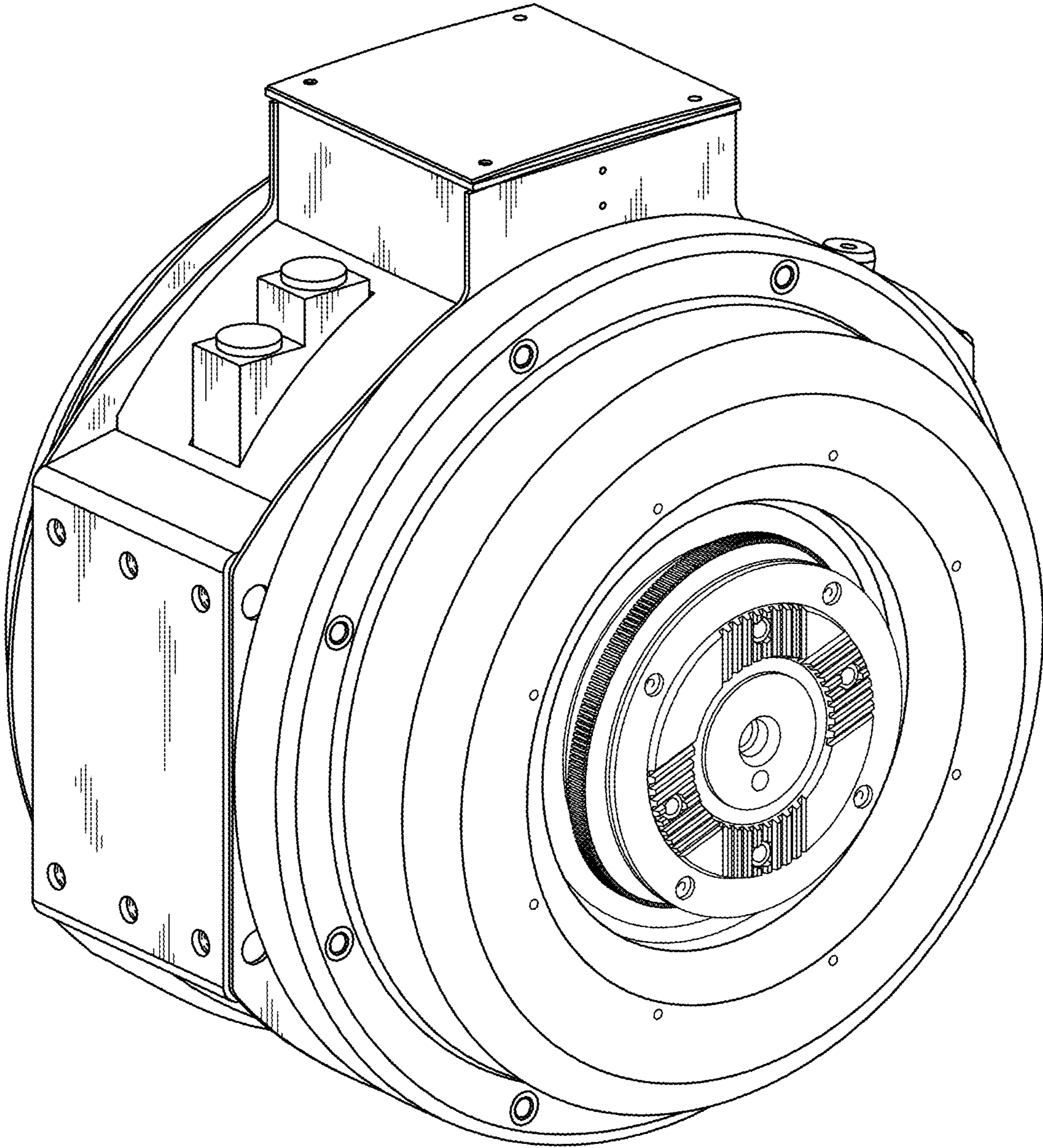


FIG. 8

