



US00D924933S

(12) **United States Design Patent** (10) **Patent No.:** **US D924,933 S**
Kusano et al. (45) **Date of Patent:** **** Jul. 13, 2021**

(54) **PLAYBACK DEVICE**
(71) Applicant: **Sonos, Inc.**, Santa Barbara, CA (US)
(72) Inventors: **Mieko Kusano**, Santa Barbara, CA (US); **Ernesto Figueira**, Santa Barbara, CA (US); **Roland Bird**, Eindhoven (NL); **Niels van Hoof**, Eindhoven (NL)
(73) Assignee: **Sonos, Inc.**, Santa Barbara, CA (US)
(**) Term: **15 Years**
(21) Appl. No.: **29/724,474**
(22) Filed: **Feb. 14, 2020**

(56) **References Cited**
U.S. PATENT DOCUMENTS
D220,105 S * 3/1971 Small D14/300
D275,752 S * 10/1984 Mahan D14/240
D286,633 S * 11/1986 Pauser D14/299
D367,042 S * 2/1996 Morrow D13/184
D375,297 S * 11/1996 Casarez D14/242
D395,897 S * 7/1998 Honma D13/184
D416,004 S * 11/1999 Tanimura D14/368
D416,896 S * 11/1999 Ogasawara D14/507
D425,033 S * 5/2000 Hibino D14/357
D453,329 S * 2/2002 Muramatsu D14/230
D464,958 S * 10/2002 Coker D14/240
D491,091 S * 6/2004 Osinga D11/26
D510,343 S * 10/2005 Wallace D14/240
D513,617 S * 1/2006 Tierney D14/496
(Continued)

Related U.S. Application Data

(63) Continuation of application No. 29/663,323, filed on Sep. 13, 2018, now Pat. No. Des. 879,150, which is a continuation of application No. 29/609,315, filed on Jun. 29, 2017, now Pat. No. Des. 831,646, which is a continuation of application No. 29/554,354, filed on Feb. 10, 2016, now Pat. No. Des. 794,019, which is a continuation of application No. 29/499,300, filed on Aug. 13, 2014, now Pat. No. Des. 754,751.
(51) **LOC (13) Cl.** **14-02**
(52) **U.S. Cl.**
USPC **D14/496**
(58) **Field of Classification Search**
USPC D14/496, 356, 357, 358, 359, 361, 125, D14/209.1, 167, 168, 156, 155, 188, 314, D14/365, 240, 203.3, 203.1, 221, 214; D13/168, 184, 147; 361/679.31, 679.33, 361/679.4, 685, 752; 455/557, 90.3, 455/575.1, 569.1
CPC H04R 1/02; H04R 9/06; G06F 1/16; G06F 17/00; H05K 7/02
See application file for complete search history.

FOREIGN PATENT DOCUMENTS

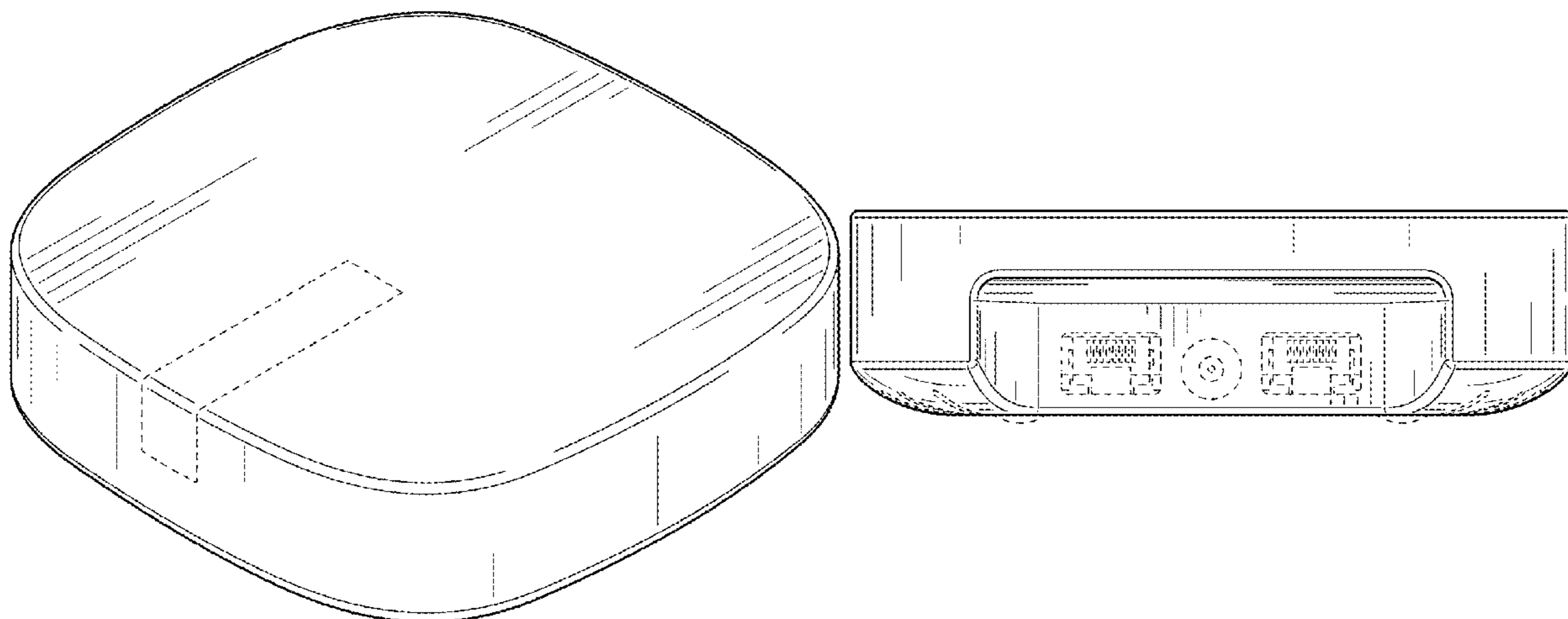
CN 303423336 * 10/2015
EM 002633024-0001 2/2015
Primary Examiner — Paula Allen Greene
(74) *Attorney, Agent, or Firm* — KPPB LLP

(57) **CLAIM**
The ornamental design for a playback device, as shown and described.

DESCRIPTION

FIG. 1 is an isometric view of a playback device.
FIG. 2 is a front view of the playback device of FIG. 1.
FIG. 3 is a rear view of the playback device of FIG. 1.
FIG. 4 is a side view of the playback device of FIG. 1.
FIG. 5 is another side view of the playback device of FIG. 1.
FIG. 6 is a top view of the playback device of FIG. 1; and, FIG. 7 is a bottom view of the playback device of FIG. 1.
The features shown in broken lines do not form part of the claimed design.

1 Claim, 3 Drawing Sheets



(56)

References Cited

U.S. PATENT DOCUMENTS

D513,750	S	*	1/2006	Ko	D14/365
D519,001	S	*	4/2006	So	D7/678
D521,001	S	*	5/2006	Xiao	D14/356
D522,531	S	*	6/2006	Solomon	D14/188
D526,648	S	*	8/2006	Andre	D14/314
D530,315	S	*	10/2006	Liu	D14/240
D532,785	S	*	11/2006	Lo	D14/363
D533,177	S	*	12/2006	Andre	D14/314
D535,281	S	*	1/2007	Yang	D14/203.3
D537,817	S	*	3/2007	Andre	D14/314
D542,288	S	*	5/2007	Andre	D14/314
D545,836	S	*	7/2007	Haldimann	D14/491
D545,837	S	*	7/2007	Haldimann	D14/491
D545,838	S	*	7/2007	Haldimann	D14/491
D545,839	S	*	7/2007	Haldimann	D14/491
D563,994	S	*	3/2008	Liu	D14/356
D574,360	S	*	8/2008	Matsuoka	D14/168
D582,384	S	*	12/2008	Christopher	D14/188
D582,429	S	*	12/2008	Kusano	D14/496
D583,367	S	*	12/2008	Chen	D14/240
D583,796	S	*	12/2008	Tanaka	D14/155
D585,733	S	*	2/2009	Feibelman	D9/418
D588,486	S	*	3/2009	Falck-Andersen	D10/123
D589,045	S	*	3/2009	Lee	D14/358
D594,874	S	*	6/2009	Sheba	D14/203.3
D594,875	S	*	6/2009	Sheba	D14/203.3
D596,626	S	*	7/2009	Andre	D14/240
D599,753	S	*	9/2009	Cho	D14/125
D601,583	S	*	10/2009	Andre	D14/496
D608,793	S	*	1/2010	Canu-Chiesa	D14/492
D609,315	S	*	2/2010	Soulier	D23/293.1
D609,701	S	*	2/2010	Hou	D14/240
D616,426	S	*	5/2010	Ju	D14/240
D620,953	S	*	8/2010	Andre	D14/496
D638,426	S	*	5/2011	Ikeda	D14/358
D641,327	S	*	7/2011	Falakfarsa	D14/125
D641,364	S	*	7/2011	McParland	D14/356
D641,740	S	*	7/2011	Jeon	D14/240
D650,393	S	*	12/2011	Doll	D14/486
D651,994	S	*	1/2012	Lundbom	D14/125
D655,305	S	*	3/2012	Koo	D14/496
D657,784	S	*	4/2012	Akana	D14/314
D660,809	S	*	5/2012	Kern Koskela	D13/168
D660,839	S	*	5/2012	Govindasamy	D14/358
D662,491	S	*	6/2012	Andre	D14/217
D664,130	S	*	7/2012	Lee	D14/240
D664,978	S	*	8/2012	Tanghe	D14/487
D667,426	S	*	9/2012	Randall	D14/489
D679,005	S	*	3/2013	Bruzadin	D24/125
D682,879	S	*	5/2013	Eikenberry	D14/489
D683,758	S	*	6/2013	Phelan	D14/489
D684,193	S	*	6/2013	Maier	D14/496
D685,392	S	*	7/2013	Chamness	D14/496
D686,065	S	*	7/2013	Kuo	D9/432
D687,817	S	*	8/2013	Petersen	D14/240
D688,701	S	*	8/2013	Myung	D14/490
D689,860	S	*	9/2013	Chong	D14/368
D693,808	S	*	11/2013	Kim	D14/365
D696,299	S	*	12/2013	Chamness	D14/496
D701,879	S	*	4/2014	Foit	D14/488
D704,177	S	*	5/2014	Chun	D14/240
D705,224	S	*	5/2014	Govindasamy	D14/358
D705,252	S	*	5/2014	Cahill	D14/488
D705,748	S	*	5/2014	He	D14/155
D711,345	S	*	8/2014	Liu	D14/140
D714,816	S	*	10/2014	Varon	G06F 3/04817
					D14/486
D718,785	S	*	12/2014	Bang	D14/496
D719,153	S	*	12/2014	Lim	D14/365
D719,561	S	*	12/2014	Akana	D14/314
D719,928	S	*	12/2014	Birger	D14/203.3
D721,061	S	*	1/2015	Burlingame	D14/216
D721,352	S	*	1/2015	Kusano	D14/214
D723,479	S	*	3/2015	Lee	D14/125
D725,146	S	*	3/2015	Pereira	D14/492
D727,360	S	*	4/2015	Peng	D14/496
D727,786	S	*	4/2015	Shlakman	D11/92
D730,388	S	*	5/2015	Rehberg	D14/488
D730,399	S	*	5/2015	Kadosh	D14/491
D732,993	S	*	6/2015	Shabot	D11/1
D734,358	S	*	7/2015	Rehberg	D14/488
D736,605	S	*	8/2015	Minarik	D8/358
D738,904	S	*	9/2015	Tyler	D14/488
D738,907	S	*	9/2015	Cabrera-Cordon	D14/488
D743,954	S	*	11/2015	Chuang	D14/240
D746,795	S	*	1/2016	Burlingame	D14/221
D754,751	S	*	4/2016	Kusano	D14/496
D756,991	S	*	5/2016	Day	D14/314
D759,629	S	*	6/2016	Kusano	D14/214
D763,913	S	*	8/2016	Kim	D14/489
D765,140	S	*	8/2016	Peng	D14/496
D768,589	S	*	10/2016	Shin	D14/125
D768,602	S	*	10/2016	Reichert	D14/209.1
D768,607	S	*	10/2016	Altonen	D14/240
D769,322	S	*	10/2016	Rajeswaran	D14/491
D769,910	S	*	10/2016	Apodaca	D14/485
D776,657	S	*	1/2017	Lagerstedt	D14/358
D778,280	S	*	2/2017	Vanderpol	D14/363
D779,552	S	*	2/2017	Kim	D14/489
D781,257	S	*	3/2017	Moon	D14/125
D789,990	S	*	6/2017	Bird	D14/496
D789,991	S	*	6/2017	Bird	D14/496
D794,019	S	*	8/2017	Kusano	D14/358
D797,740	S	*	9/2017	Nguyen	D14/385
D798,339	S	*	9/2017	Yang	D14/496
D798,860	S	*	10/2017	Wieser	D14/358
D798,861	S	*	10/2017	Wieser	D14/358
D799,479	S	*	10/2017	Wieser	D14/358
D802,565	S	*	11/2017	Fariello	D14/230
D806,678	S	*	1/2018	Reichert	D14/209.1
D808,971	S	*	1/2018	Akana	D14/434
D812,560	S	*	3/2018	Xu	D13/107
D815,070	S	*	4/2018	Elmieh	D14/225
D816,057	S	*	4/2018	Jue	D14/155
D818,987	S	*	5/2018	Sun	D14/204
D821,374	S	*	6/2018	Jun	D14/242
D828,342	S	*	9/2018	Chen	D14/240
D828,821	S	*	9/2018	Farr	D14/204
D829,687	S	*	10/2018	Burlingame et al.	
D831,612	S	*	10/2018	Usuru	D14/214
D831,646	S	*	10/2018	Kusano	D14/358
D833,416	S	*	11/2018	Hu	D14/204
D839,920	S	*	2/2019	Demin	D14/496
D842,271	S	*	3/2019	Kusano et al.	
D848,399	S	*	5/2019	Burlingame et al.	
D855,587	S	*	8/2019	Reichert et al.	
D864,145	S	*	10/2019	Zhang et al.	
D879,150	S	*	3/2020	Kusano	D14/496
D883,956	S	*	5/2020	Bird et al.	
D901,431	S	*	11/2020	Paterson	D14/203.1
2008/0040735	A1	*	2/2008	Saitou	G11B 17/021 720/622
2009/0228654	A1	*	9/2009	Lakowicz	G06F 8/61 711/115
2010/0215203	A1	*	8/2010	Sip	H04R 5/04 381/386
2013/0280940	A1	*	10/2013	Pai	H01R 31/005 439/345
2014/0082471	A1	*	3/2014	Katouli	G06F 3/0488 715/224
2017/0085972	A1	*	3/2017	Reichert	H04R 1/023

* cited by examiner

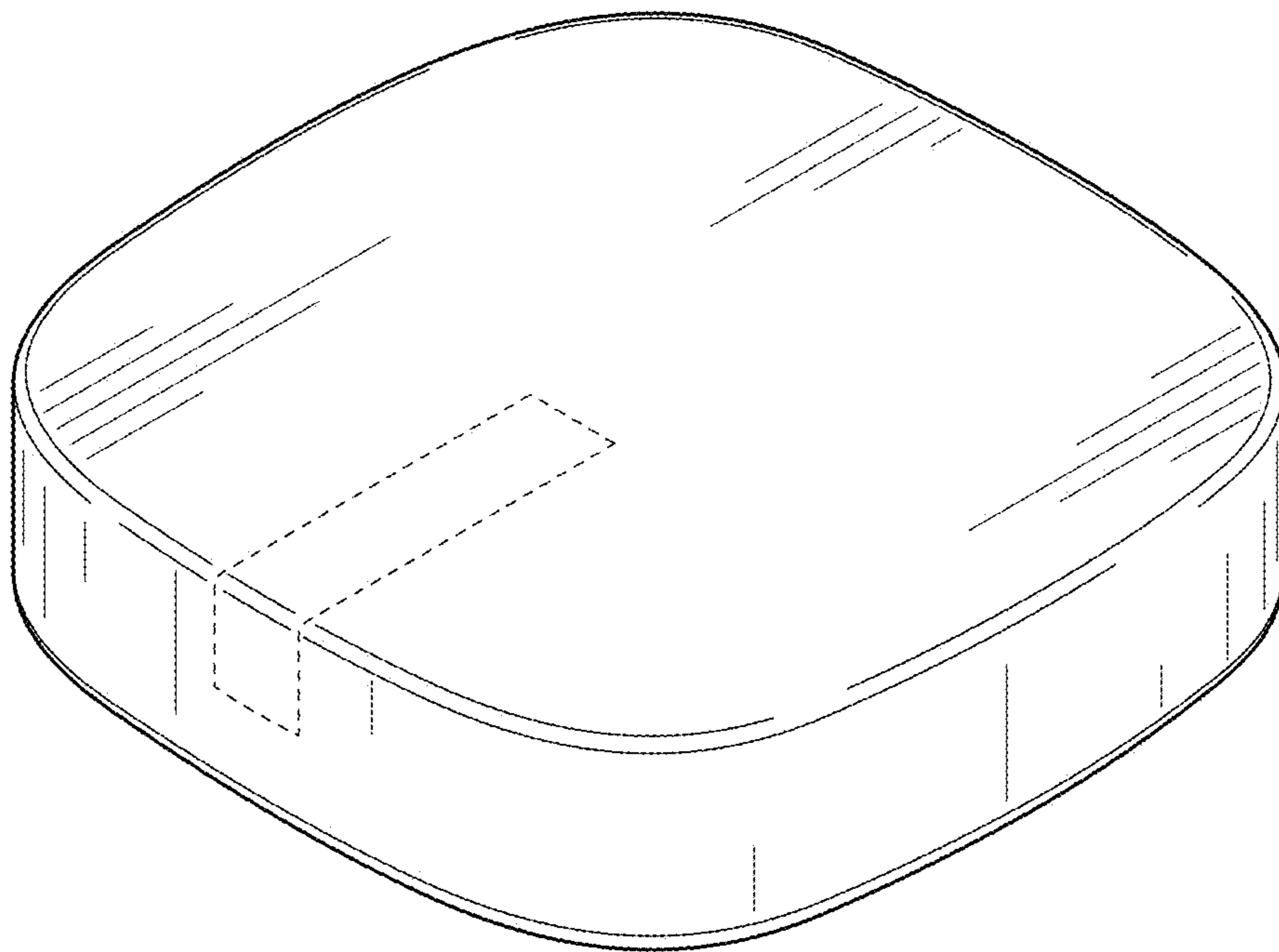


FIG. 1

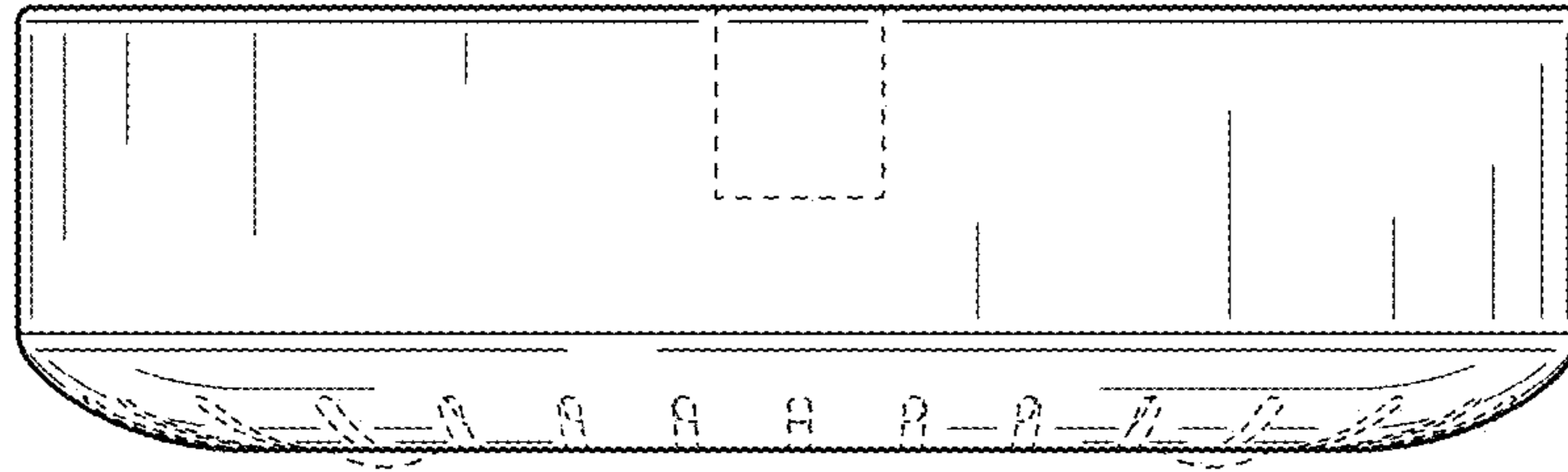


FIG. 2

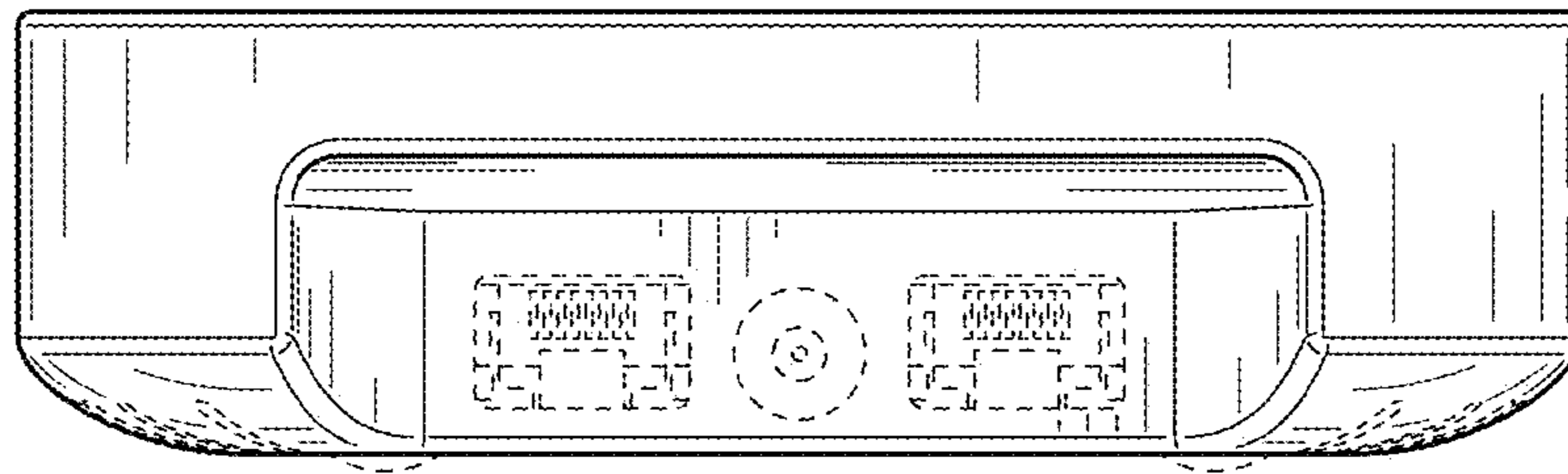


FIG. 3

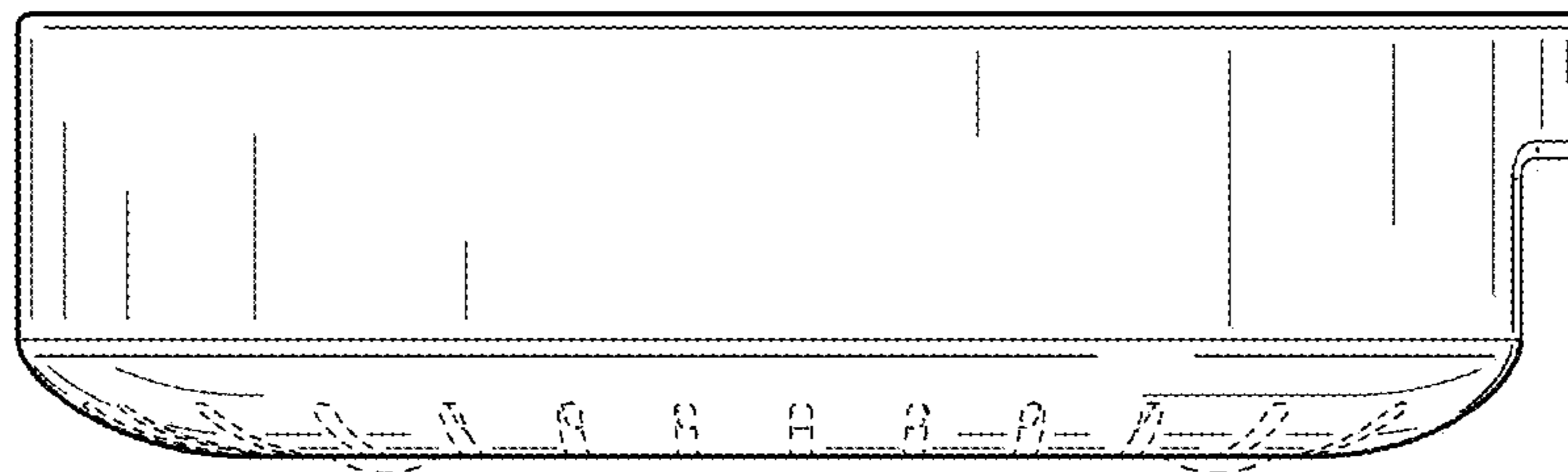


FIG. 4

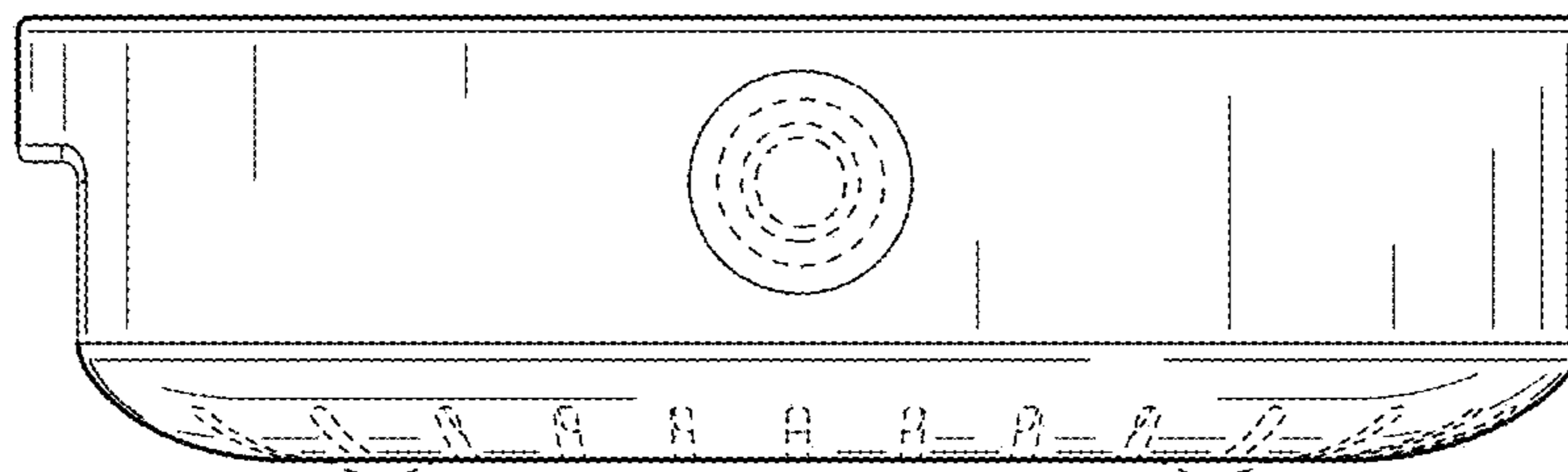


FIG. 5

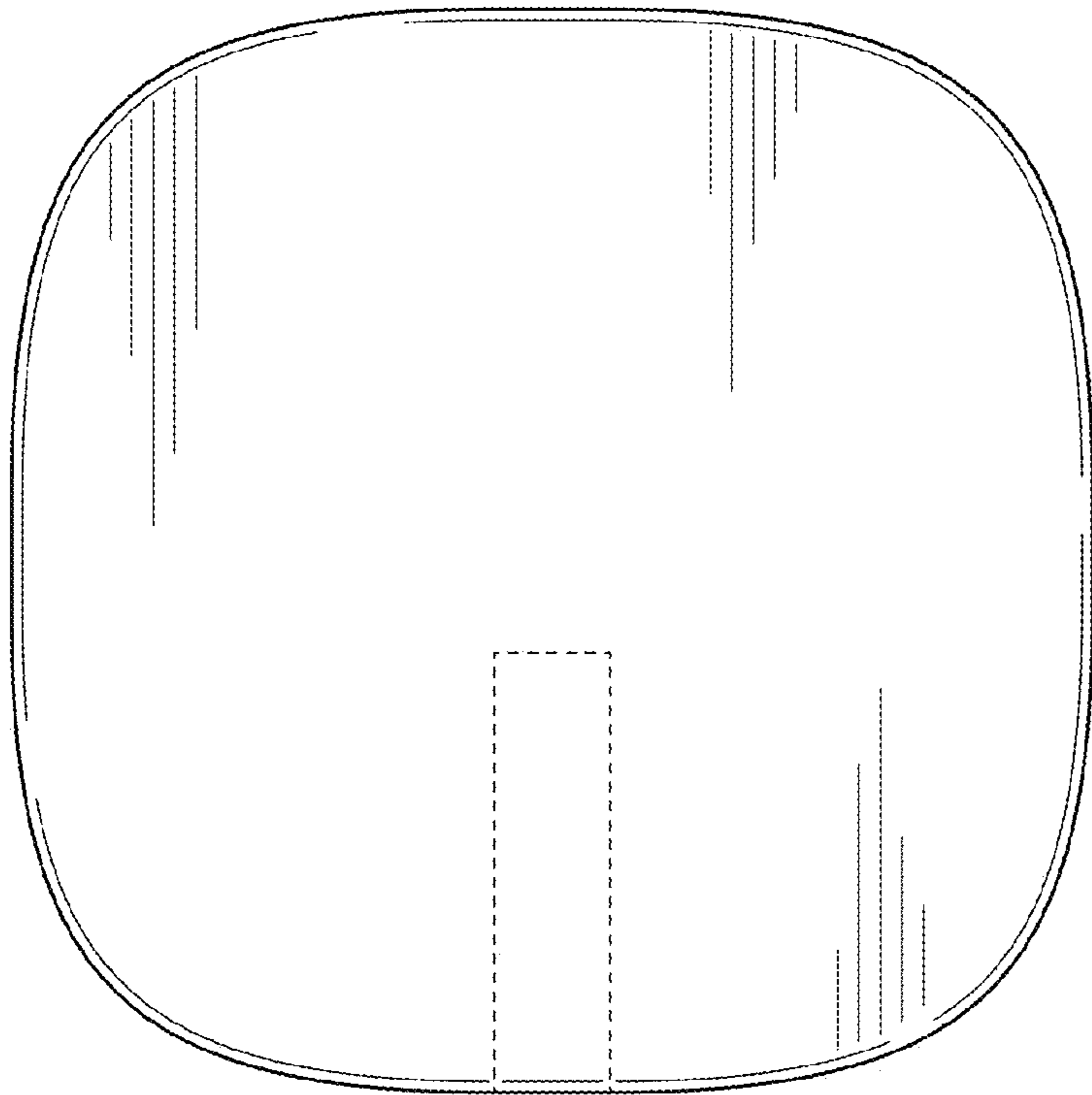


FIG. 6

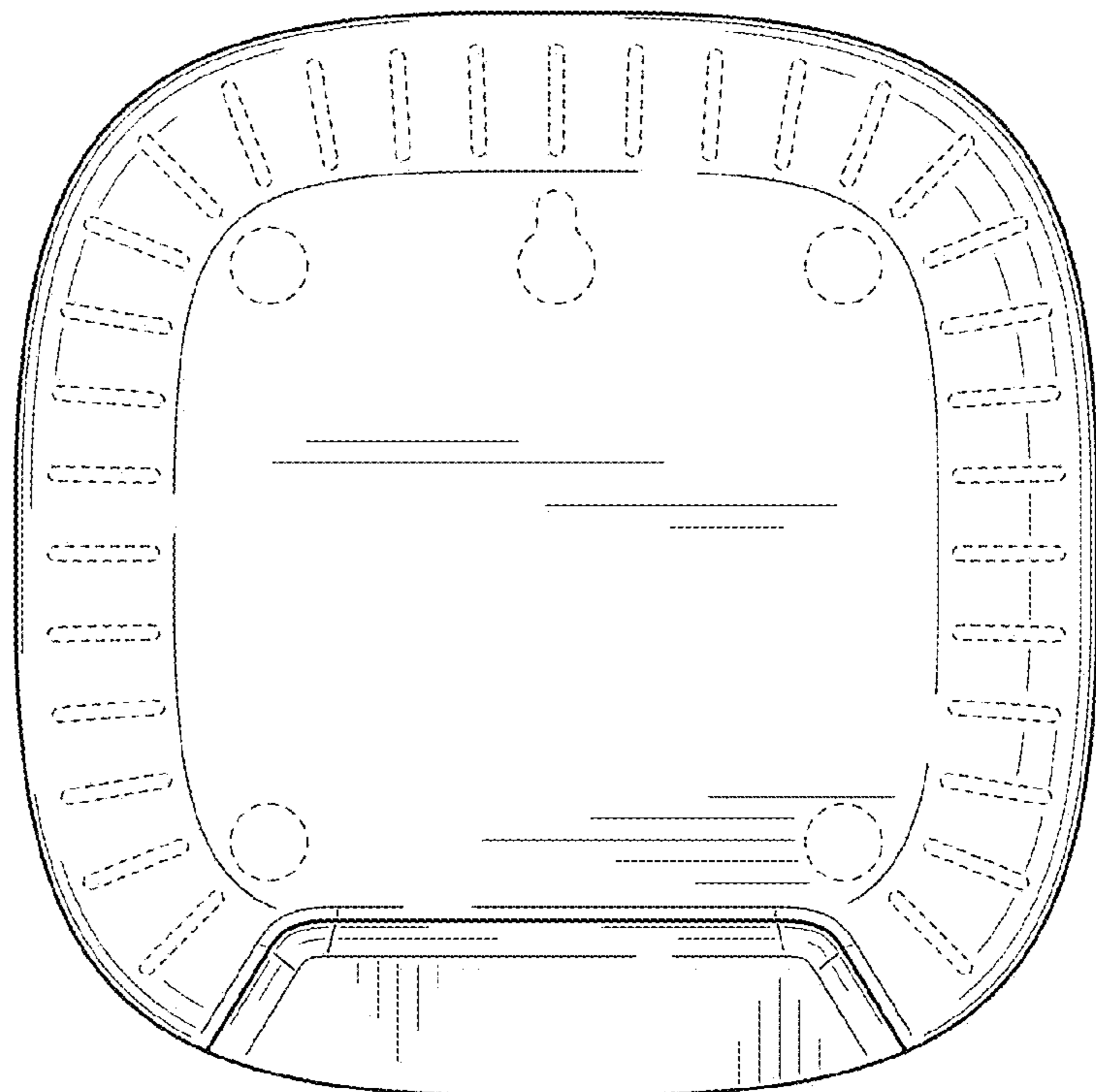


FIG. 7