



US00D924925S

(12) **United States Design Patent** (10) **Patent No.:** **US D924,925 S**
Leong et al. (45) **Date of Patent:** **** Jul. 13, 2021**

(54) **DISPLAY SCREEN WITH ANIMATED GRAPHICAL USER INTERFACE**

(71) Applicant: **Google LLC**, Mountain View, CA (US)

(72) Inventors: **Su Chuin Leong**, Oakland, CA (US);
Alistair Milne, Seattle, WA (US);
Christopher Milan Raykovich, Seattle, WA (US)

(73) Assignee: **GOOGLE LLC**, Mountain View, CA (US)

(**) Term: **15 Years**

(21) Appl. No.: **29/710,590**

(22) Filed: **Oct. 24, 2019**

(51) **LOC (13) Cl.** **14-04**

(52) **U.S. Cl.**
USPC **D14/488**

(58) **Field of Classification Search**
USPC D14/485-95

(Continued)

(56) **References Cited**

U.S. PATENT DOCUMENTS

6,933,860 B1 8/2005 Gehman
D591,305 S * 4/2009 Shimoda D14/485
(Continued)

FOREIGN PATENT DOCUMENTS

DE 10046000 A1 5/2001
JP 1483278 11/2013
(Continued)

OTHER PUBLICATIONS

Android—How to implement current location blue icon in Here Map—Nugent, <https://stackoverflow.com/questions/44786552/how-to-implement-current-location-blue-icon-in-here-map> (Year: 2017).*

(Continued)

Primary Examiner — Melanie H Tung

Assistant Examiner — Darmawan Truong

(74) *Attorney, Agent, or Firm* — Plumsea Law Group, LLC

(57) **CLAIM**

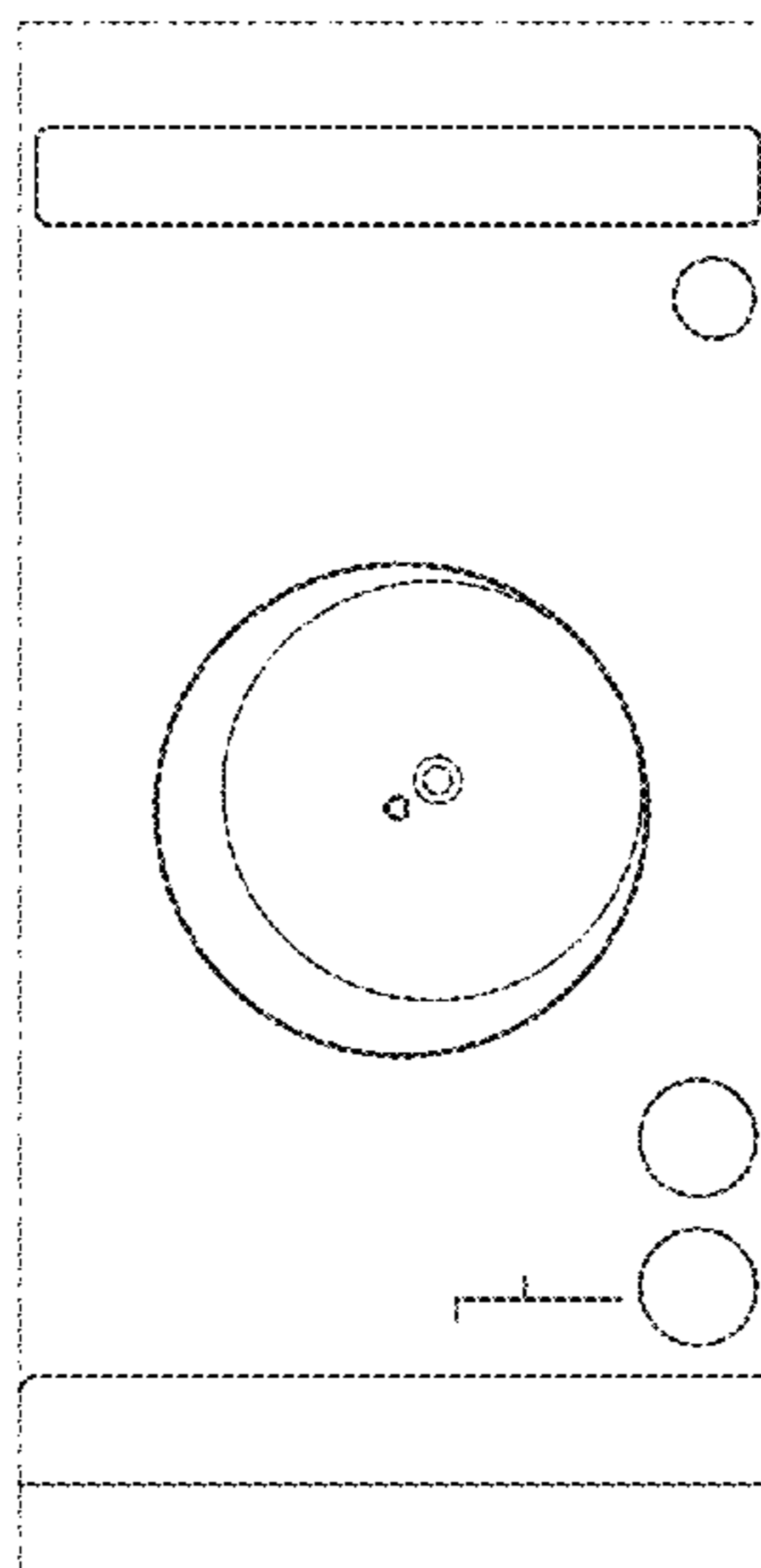
The ornamental design for a display screen with animated graphical user interface, as shown and described.

DESCRIPTION

This application is related to U.S. Design patent application Ser. No. 29/710,584, and U.S. Design patent application Ser. No. 29/710,585, and PCT application No. PCT/US2019/057818, entitled Transforming Scale Ring, all of which are concurrently filed herewith on Oct. 24, 2019, and the disclosers all of which are all incorporated herein by reference. FIG. 1 is a front view of a first image in a sequence of a display screen with animated graphical user interface according to a first embodiment of our new design; FIG. 2 is a second image thereof; FIG. 3 is a third image thereof; and FIG. 4 is a fourth image thereof; FIG. 5 is a front view of a first image in a sequence of a display screen with animated graphical user interface according to a second embodiment of our new design; FIG. 6 is a second image thereof; FIG. 7 is a third image thereof; FIG. 8 is a fourth image thereof; and FIG. 9 is a fifth image thereof; FIG. 10 is a front view of a first image in a sequence of a display screen with animated graphical user interface according to a third embodiment of our new design; and, FIG. 11 is a second image thereof.

The appearance of the transitional image sequentially transitions between the images shown in each individual embodiment, namely, between each of FIG. 1-4, 5-9, and 10-11.

1 Claim, 4 Drawing Sheets



(58) **Field of Classification Search**

CPC G06F 3/48; G06F 3/0481; G06F 3/04812;
 G06F 3/04815; G06F 3/04817; G06F
 3/0482; G06F 3/0483; G06F 3/0484;
 G06F 3/04842; G06F 3/04845; G06F
 3/04847; G06F 3/0485; G06F 3/0486;
 G06F 3/0487; G06F 3/0488; G06F
 3/04895; G06F 3/04897

See application file for complete search history.

FOREIGN PATENT DOCUMENTS

JP	1563724	11/2016
JP	1578057	6/2017
JP	1620101	12/2018
JP	1568963	1/2020
KR	30-0538672	9/2009
KR	30-0893804	2/2017
WO	DM/082 326	5/2013

(56) **References Cited**

U.S. PATENT DOCUMENTS

7,548,814	B2	6/2009	Pantalone et al.	
D627,360	S *	11/2010	Aarseth	D14/485
D667,423	S	9/2012	Nagamine	
D708,203	S *	7/2014	Johnson	D14/487
D780,769	S *	3/2017	Mensingher	D14/485
D832,294	S *	10/2018	Wormer	D14/486
D835,665	S *	12/2018	Kimura	D14/488
D837,814	S *	1/2019	Lamperti	D14/486
D845,977	S *	4/2019	Mok	D14/486
D864,991	S *	10/2019	Seo	D14/488
D866,575	S *	11/2019	Gagne	D14/486
D866,584	S *	11/2019	Burroughs	D14/486
D870,141	S *	12/2019	Bowden	D14/488
D873,850	S *	1/2020	Mu	D14/488
D875,114	S *	2/2020	Clediere	D14/485
D875,132	S *	2/2020	Wang	D14/488
D875,133	S *	2/2020	Wang	D14/488
D875,757	S *	2/2020	Feng	D14/486
D882,626	S *	4/2020	Yan	D14/488
D884,007	S *	5/2020	Uppala	D14/486
D886,148	S *	6/2020	Lepine	D14/486
D886,854	S *	6/2020	Pazmino	D14/488
D893,528	S *	8/2020	Wang	D14/486
D900,845	S *	11/2020	Tomori	D14/486
D901,520	S *	11/2020	Gangcuangco	D14/485
D903,694	S *	12/2020	Elgena	D14/485
2008/0270931	A1 *	10/2008	Bamford	G06F 3/0485 715/777
2011/0219324	A1 *	9/2011	Watanabe	G06F 3/048 715/771
2011/0246065	A1	10/2011	Spencer, V	
2019/0186946	A1	6/2019	Liu	

OTHER PUBLICATIONS

Android—Show blue dots icon on current location Google Maps—Febrianto, <https://stackoverflow.com/questions/30440777/show-blue-dots-icon-on-current-location-google-maps/30466050> (Year: 2015).*

BlipMe—Stage 2—Mlynarz, <https://dribbble.com/shots/3784790-BlipMe-Stage-2> (Year: 2017).*

CO-OP Financial Locator App—Salanitri, <https://dribbble.com/shots/5446837-CO-OP-Financial-Locator-App> (Year: 2018).*

Google maps gets brighter UI—Sterling, <https://searchengineland.com/google-maps-gets-brighter-ui-color-coding-286844> (Year: 2017).*

Ios—animated user location circle swift 3+Google map—Saam, <https://stackoverflow.com/questions/45841357/animated-user-location-circle-swift-3-google-map> (Year: 2017).*

Location Check In—Jasso, <https://dribbble.com/shots/2581212-Location-Check-In> (Year: 2016).*

Map Chat App—Gromov, <https://dribbble.com/shots/3224770-Map-Chat-App?1484730899> (Year: 2017).*

Trispot Map II—Baker, <https://dribbble.com/shots/3118818-Trispot-Map-II> (Year: 2016).*

Apple Maps publicly available at least as of Jan. 7, 2020, 1 page.

Google Maps publicly available at least as of Oct. 7, 2019, 1 page.

International Search Report and Written Opinion for International Application No. PCT/US2019/057818 dated Jul. 9, 2020. 16 pages.

Office Action dated Jan. 5, 2021 in Japanese Design Application No. JP2020-008375, and English translation thereof.

JPO Design Division Publicly Known Document No. HJ29136399, published Mar. 5, 2018.

JPO Design Division Publicly Known Document No. HJ31118216, published Oct. 11, 2019.

Notification of Grant dated Jan. 5, 2021 in Japanese Design Application No. JP2020-008376, and English machine translation thereof.

Notification of Grant dated Jan. 5, 2021 in Japanese Design Application No. JP2020-008377, and English machine translation thereof.

* cited by examiner

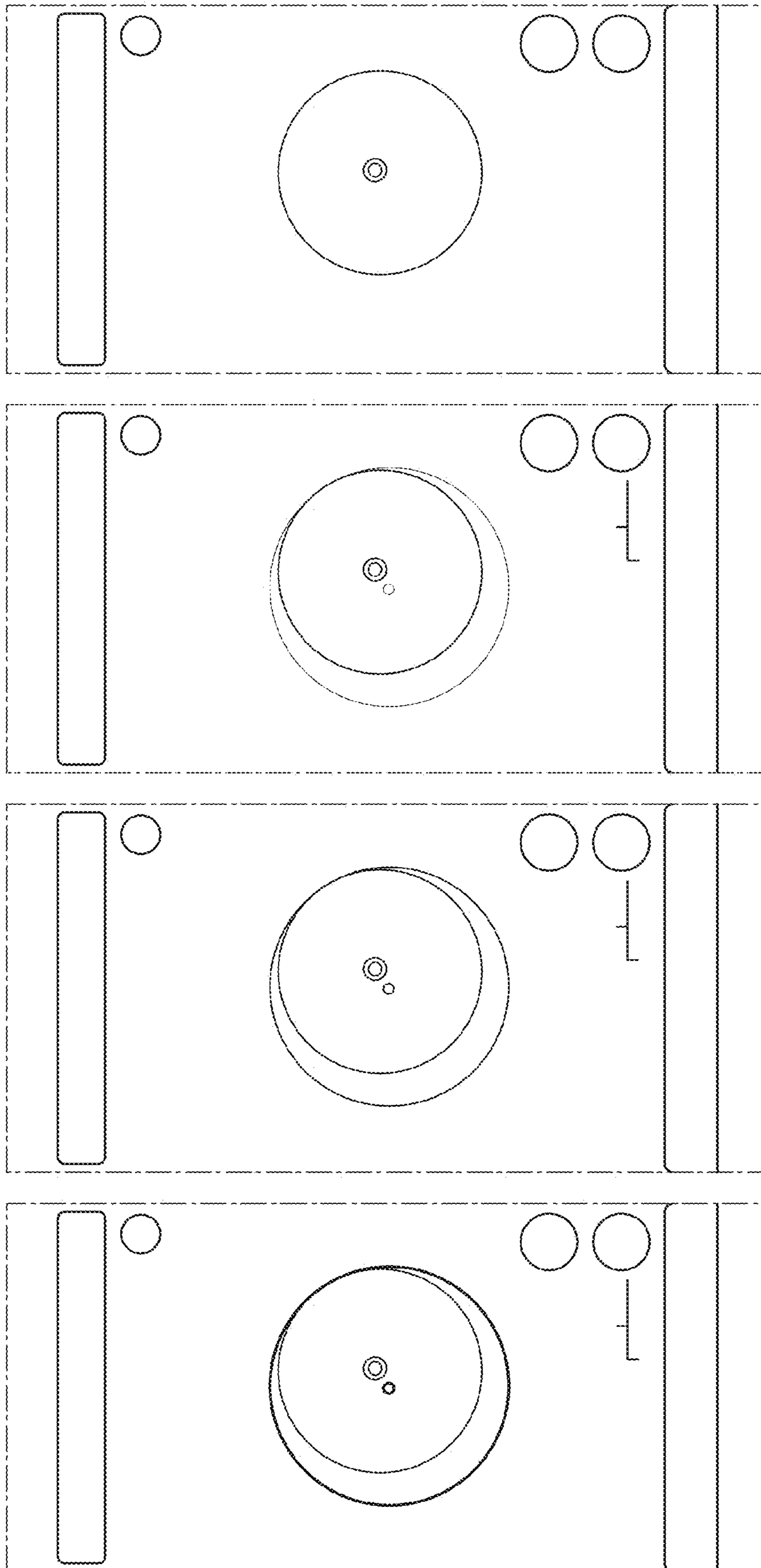


FIG. 4

FIG. 3

FIG. 2

FIG. 1

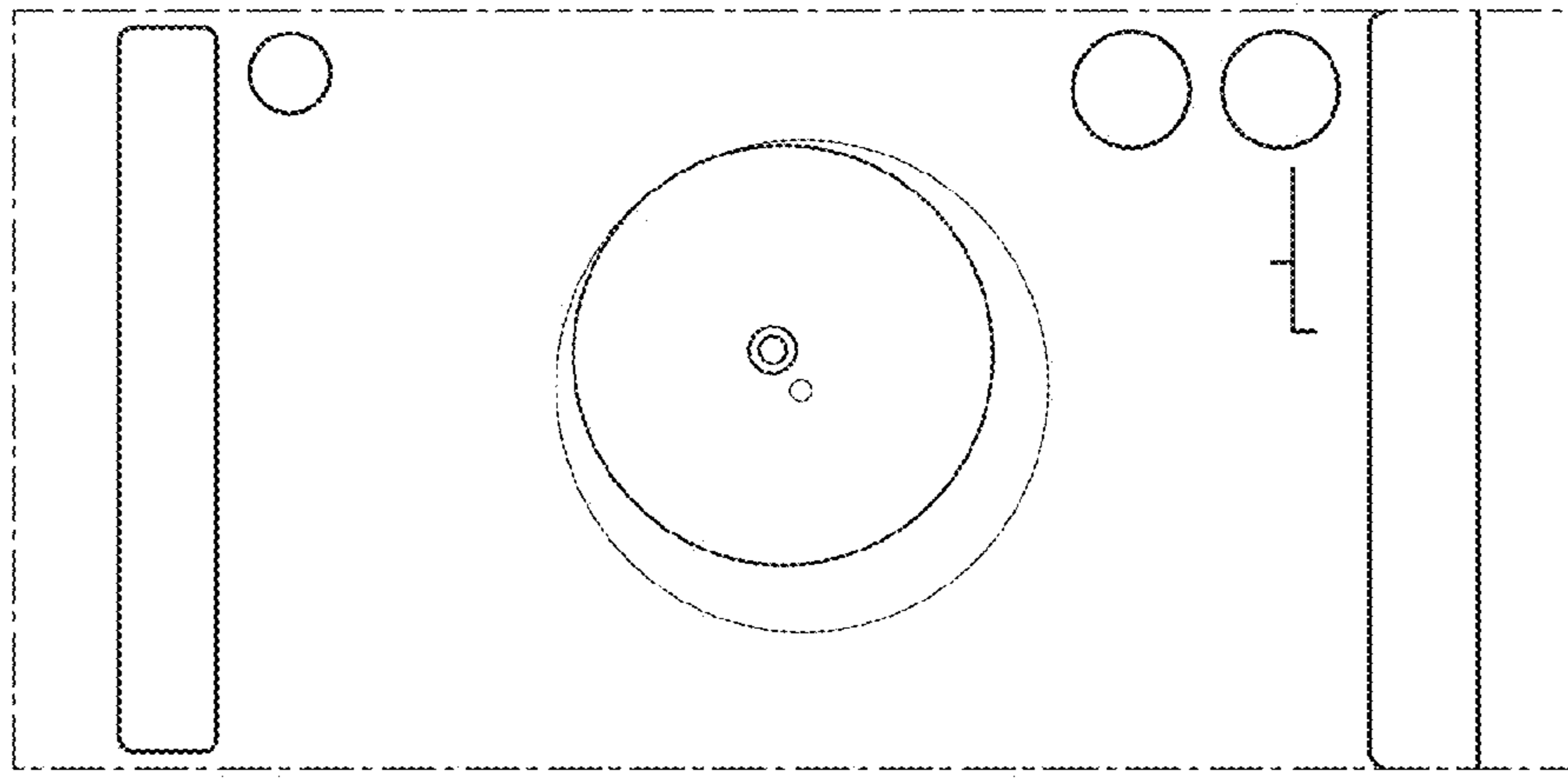


FIG. 5

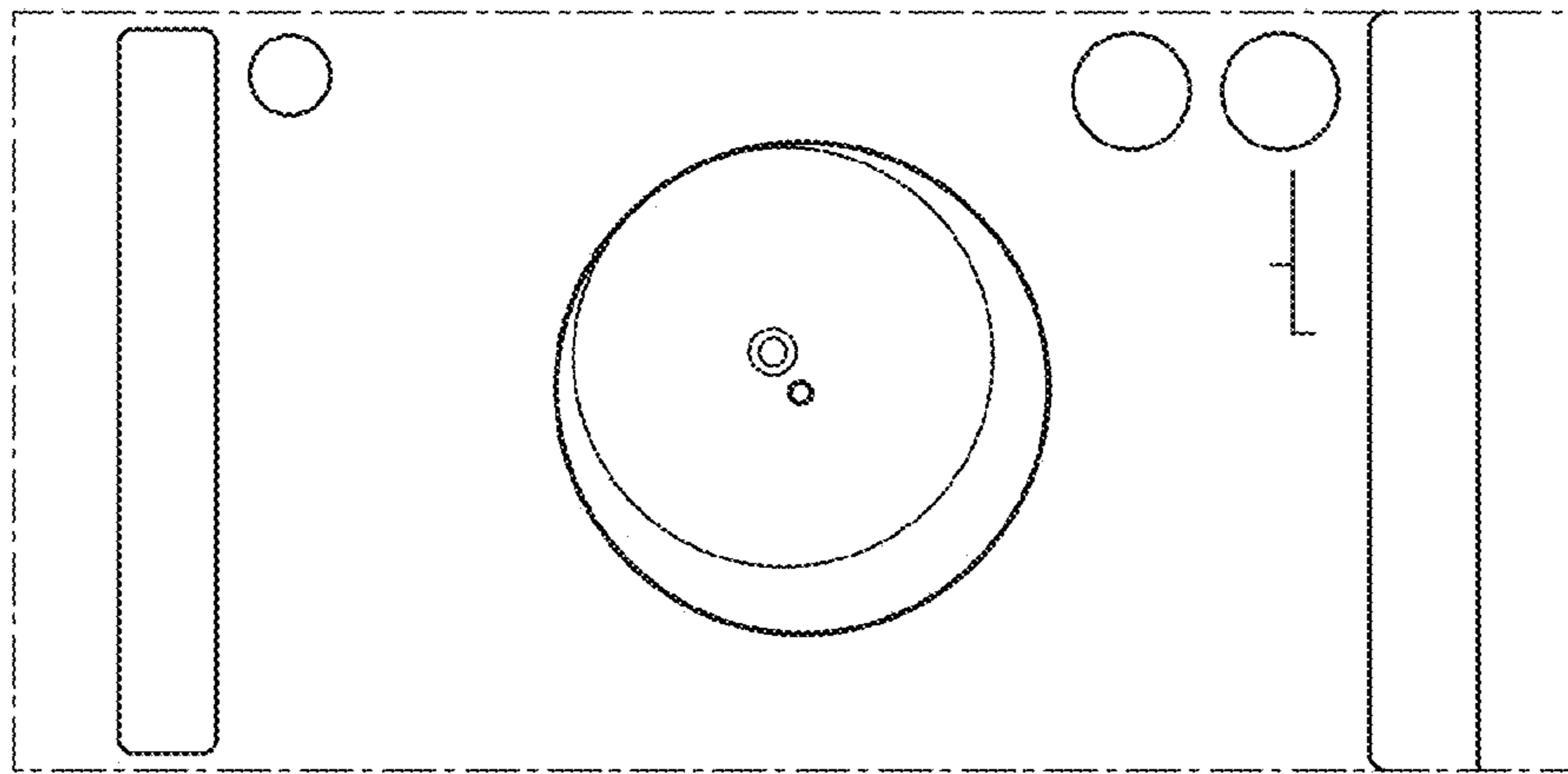


FIG. 6

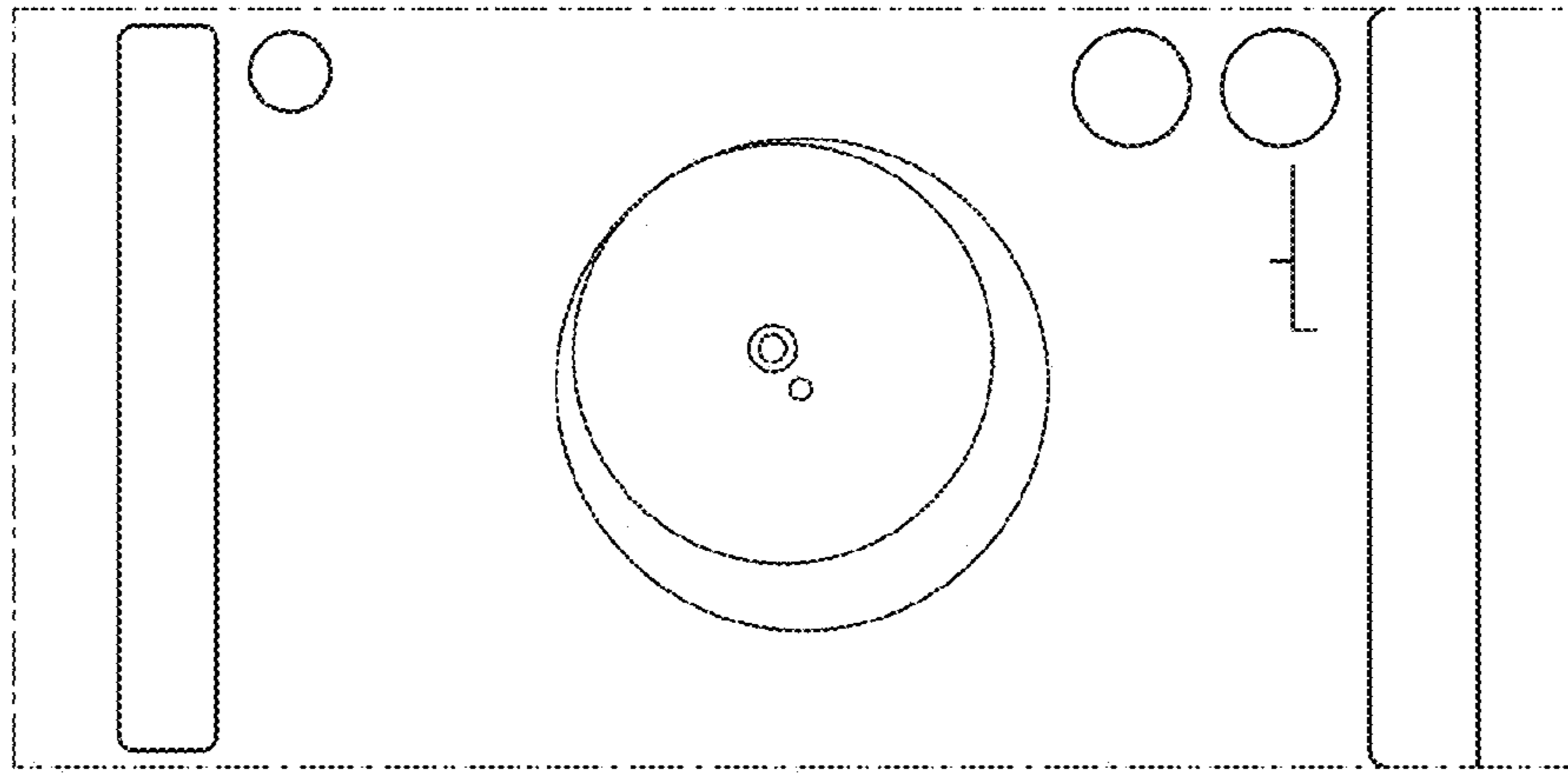


FIG. 7

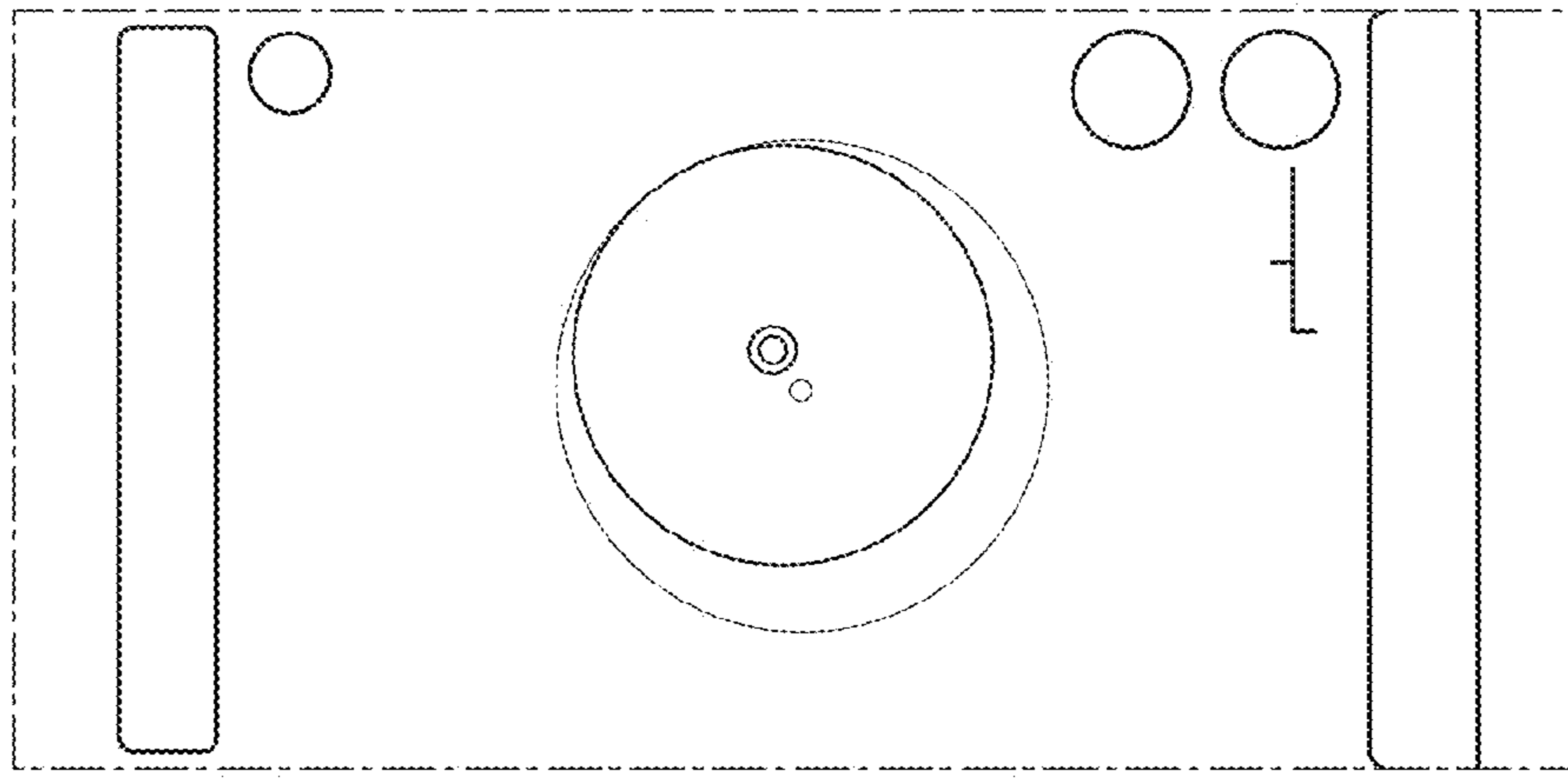


FIG. 8

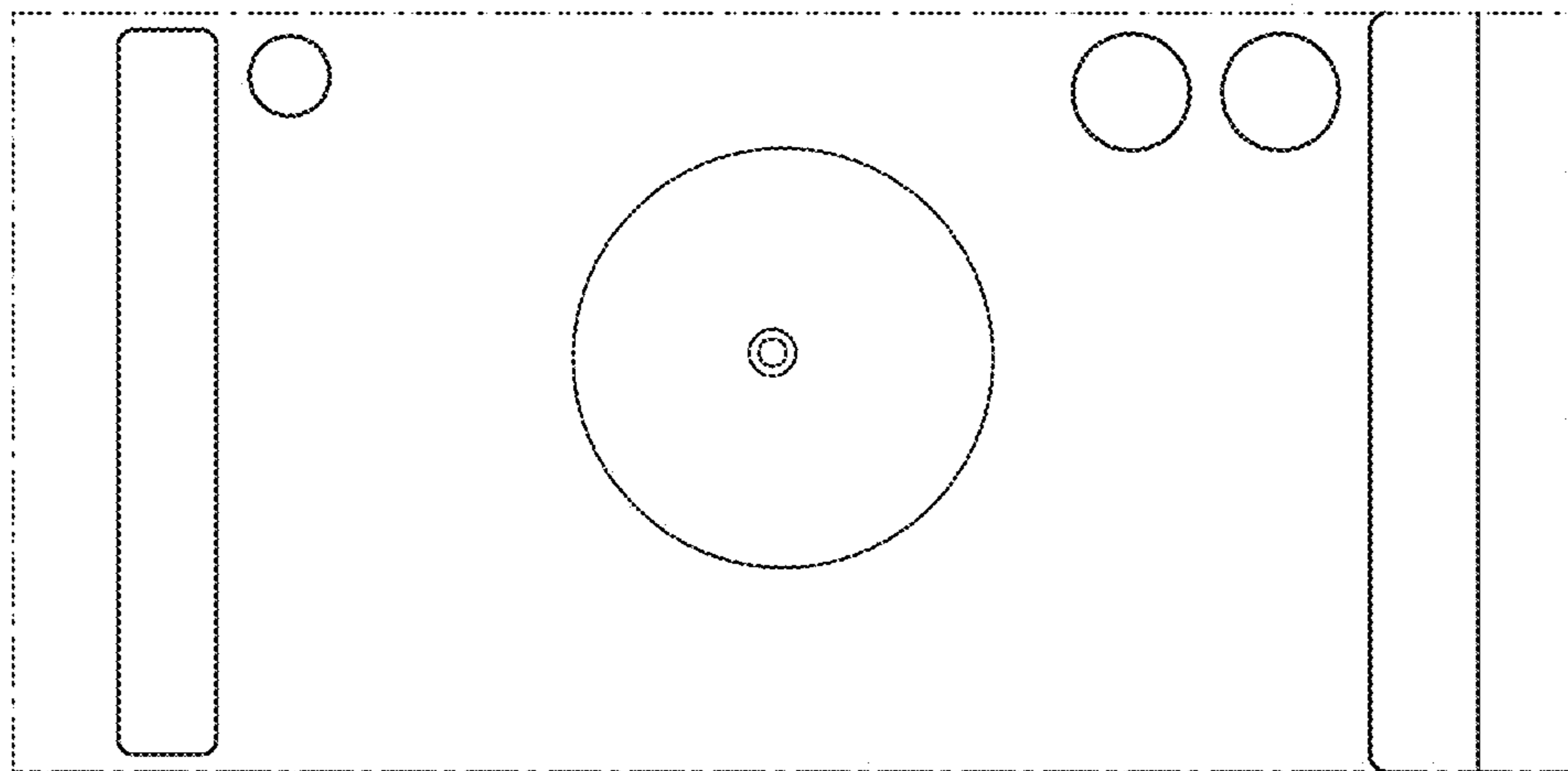


FIG. 9

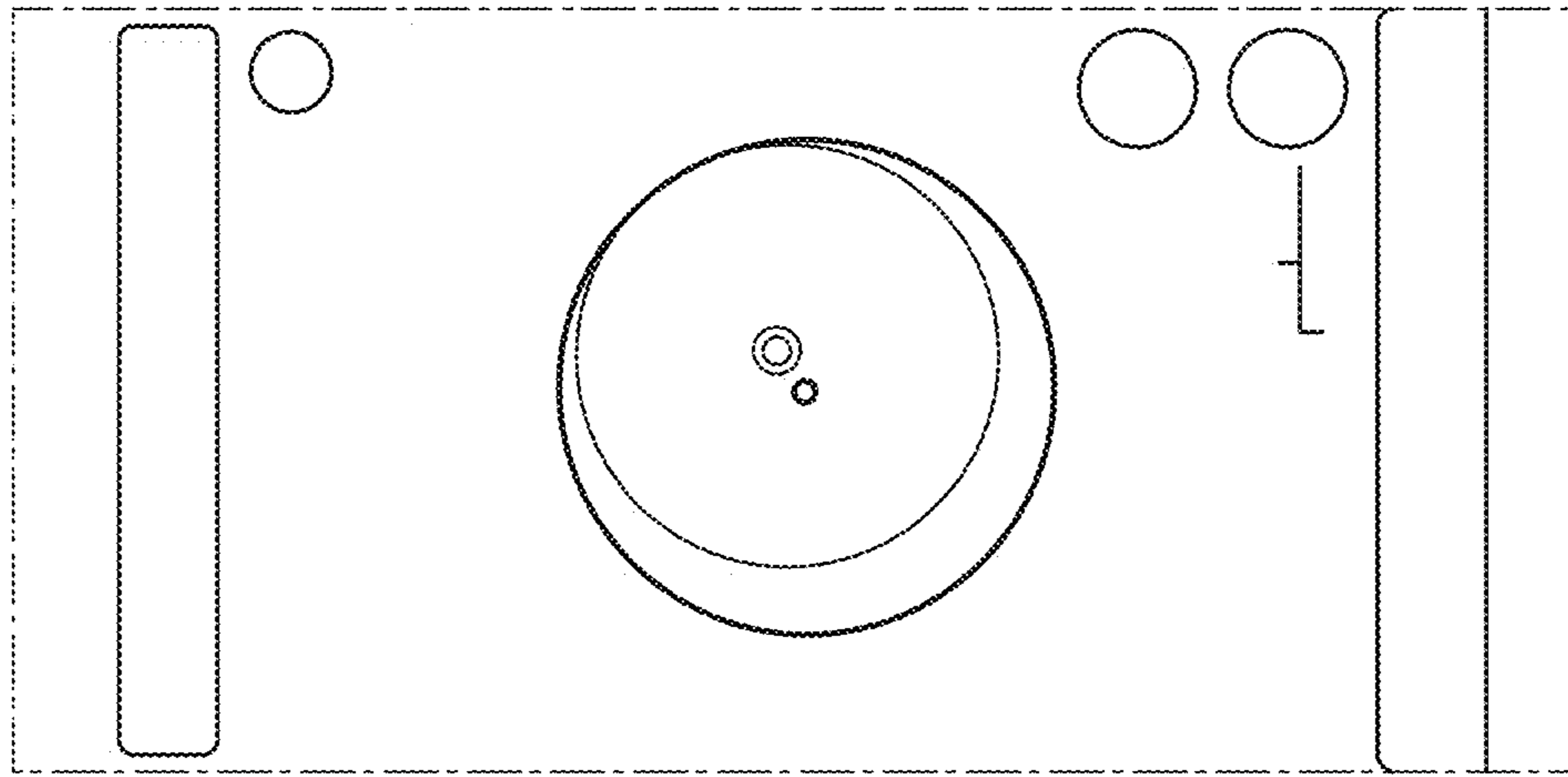


FIG. 10

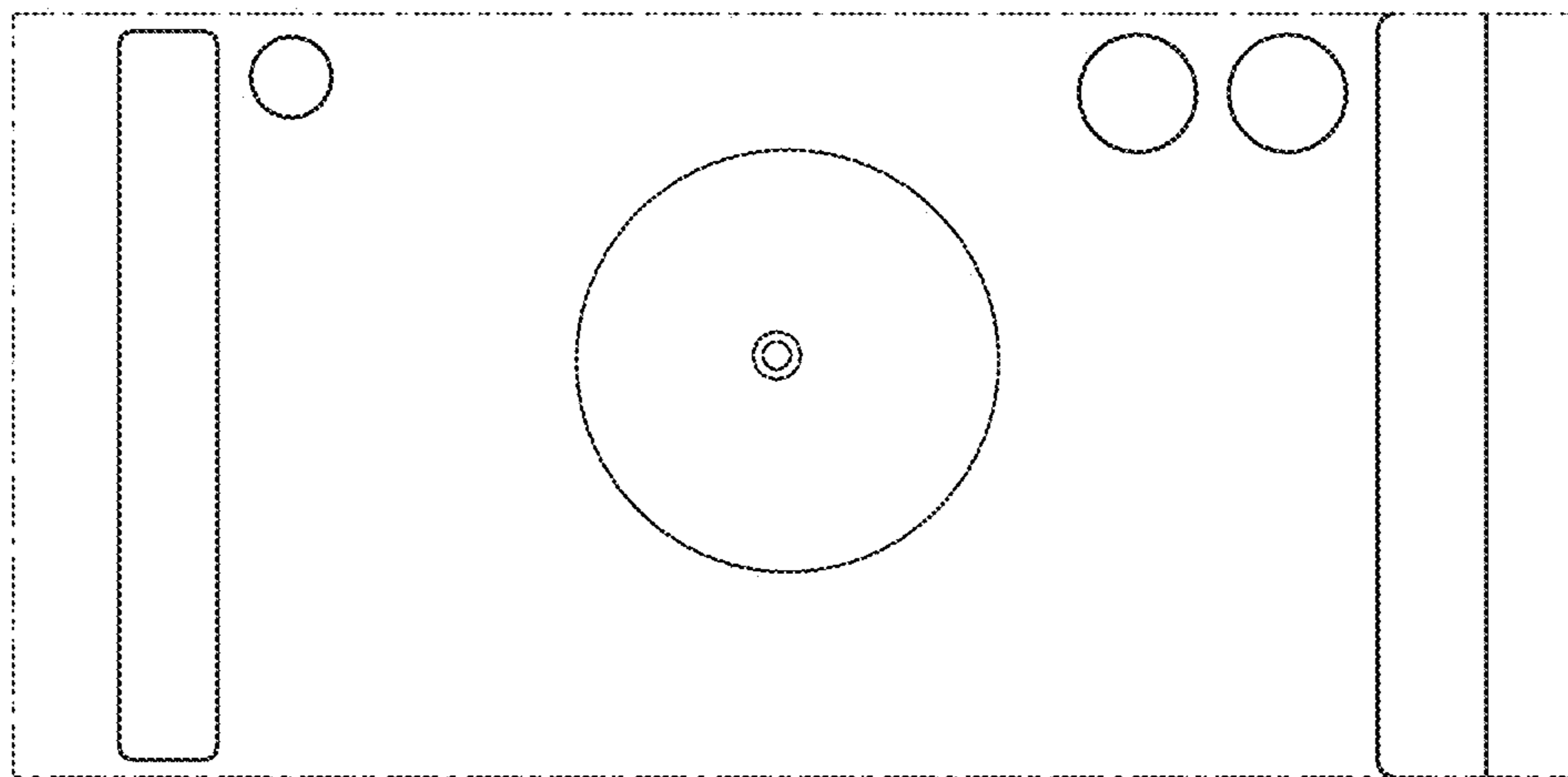


FIG. 11