



US00D924882S

(12) **United States Design Patent**  
**Park et al.**

(10) **Patent No.:** **US D924,882 S**  
(45) **Date of Patent:** **\*\* Jul. 13, 2021**

(54) **TELEVISION RECEIVER**

FOREIGN PATENT DOCUMENTS

(71) Applicant: **Samsung Electronics Co., Ltd.**,  
Suwon-si (KR)

EM 001905902-0004 3/2012  
EM 004372001-0002 4/2018

(Continued)

(72) Inventors: **Jin-Su Park**, Suwon-si (KR); **Gil-Jae Lee**, Suwon-si (KR); **Hee-Bong Kim**, Suwon-si (KR); **Pil-Kwon Jung**, Suwon-si (KR); **Yong-Gu Do**, Suwon-si (KR)

*Primary Examiner* — Keli L Hill

*Assistant Examiner* — Harold E Blackwell, II

(74) *Attorney, Agent, or Firm* — McAndrews Held & Malloy, Ltd.

(73) Assignee: **SAMSUNG ELECTRONICS CO., LTD.**, Suwon-si (KR)

(57) **CLAIM**

(\*\*) Term: **15 Years**

The ornamental design for a television receiver, as shown and described.

(21) Appl. No.: **29/726,274**

(22) Filed: **Mar. 2, 2020**

**DESCRIPTION**

(30) **Foreign Application Priority Data**

Sep. 3, 2019 (KR) ..... 30-2019-0042406

(51) **LOC (13) Cl.** ..... **14-02**

(52) **U.S. Cl.**  
USPC ..... **D14/451; D14/238**

(58) **Field of Classification Search**  
USPC ..... D14/371–382, 125–129, 336, 337,  
D14/447–452, 492, 335, 238, 239, 457,  
D14/439–441, 432, 251–253; D8/349,  
D8/354, 363, 373, 376, 380  
CPC ..... F16M 13/02; F16M 13/00; F16M 11/10;  
F16M 11/04  
See application file for complete search history.

FIG. 1 is a front perspective view of a television receiver showing our new design;  
FIG. 2 is a front elevation view thereof;  
FIG. 3 is a rear elevation view thereof;  
FIG. 4 is a left side elevation view thereof;  
FIG. 5 is a right side elevation view thereof;  
FIG. 6 is a top plan view thereof;  
FIG. 7 is a bottom plan view thereof;  
FIG. 8 is a rear perspective view thereof;  
FIG. 9 is a front perspective view of a television receiver showing the stand of the television receiver separately for clarity of illustration;  
FIG. 10 is a front elevation view thereof;  
FIG. 11 is a rear elevation view thereof;  
FIG. 12 is a left side elevation view thereof;  
FIG. 13 is a right side elevation view thereof;  
FIG. 14 is a top plan view thereof;  
FIG. 15 is a bottom plan view thereof; and,  
FIG. 16 is a rear perspective view thereof.  
The evenly dashed broken lines in the drawings illustrate portions of the television receiver that form no part of the claimed design.

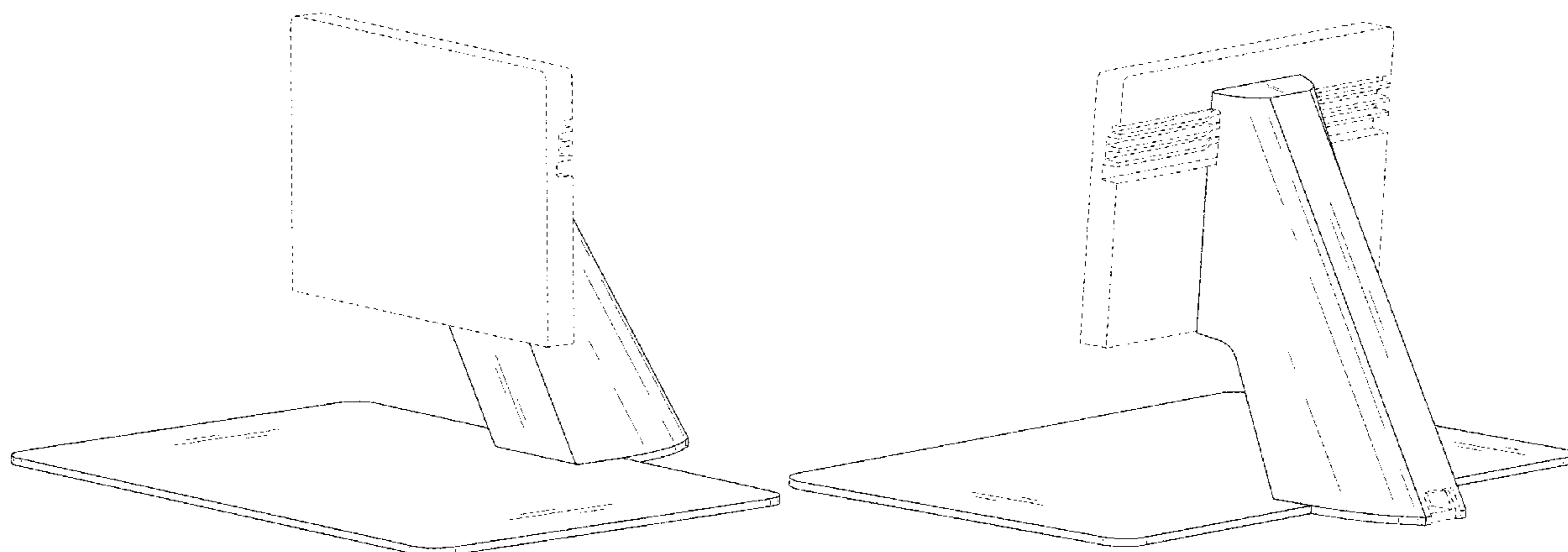
(56) **References Cited**

U.S. PATENT DOCUMENTS

D295,415 S \* 4/1988 Thies ..... D14/452  
D469,774 S \* 2/2003 Bradley ..... D14/434  
D469,775 S \* 2/2003 Bradley ..... D14/434  
D476,337 S \* 6/2003 Bradley ..... D14/434  
D478,088 S \* 8/2003 Hamouz ..... D14/451

(Continued)

**1 Claim, 16 Drawing Sheets**



(56)

**References Cited**

U.S. PATENT DOCUMENTS

|          |   |   |         |          |       |         |
|----------|---|---|---------|----------|-------|---------|
| D599,803 | S | * | 9/2009  | Han      | ..... | D14/451 |
| D638,022 | S | * | 5/2011  | Kasuga   | ..... | D14/451 |
| D725,087 | S | * | 3/2015  | Kim      | ..... | D14/239 |
| D742,343 | S | * | 11/2015 | Moon     | ..... | D14/126 |
| D757,021 | S | * | 5/2016  | Won      | ..... | D14/451 |
| D759,002 | S | * | 6/2016  | Won      | ..... | D14/239 |
| D760,723 | S | * | 7/2016  | Won      | ..... | D14/447 |
| D787,522 | S | * | 5/2017  | Lee      | ..... | D14/451 |
| D837,223 | S | * | 1/2019  | Wu       | ..... | D14/451 |
| D894,196 | S | * | 8/2020  | Wu       | ..... | D14/451 |
| D900,122 | S | * | 10/2020 | Siminoff | ..... | D14/451 |
| D902,218 | S | * | 11/2020 | Lee      | ..... | D14/451 |

FOREIGN PATENT DOCUMENTS

|    |           |         |
|----|-----------|---------|
| KR | 300611100 | 9/2011  |
| KR | 300976788 | 4/2019  |
| WO | DM091835  | 12/2016 |

\* cited by examiner

FIG. 1

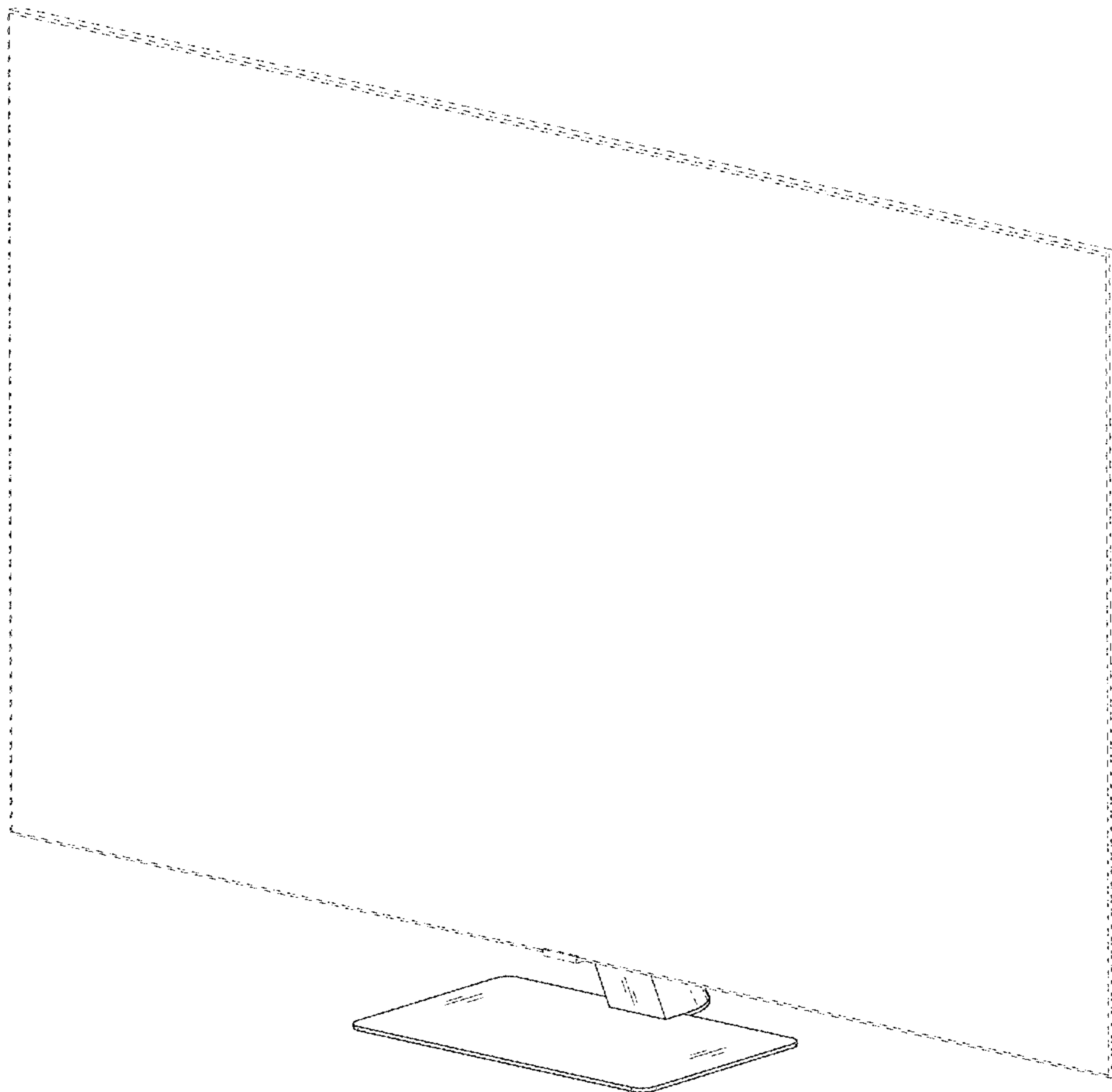


FIG. 2

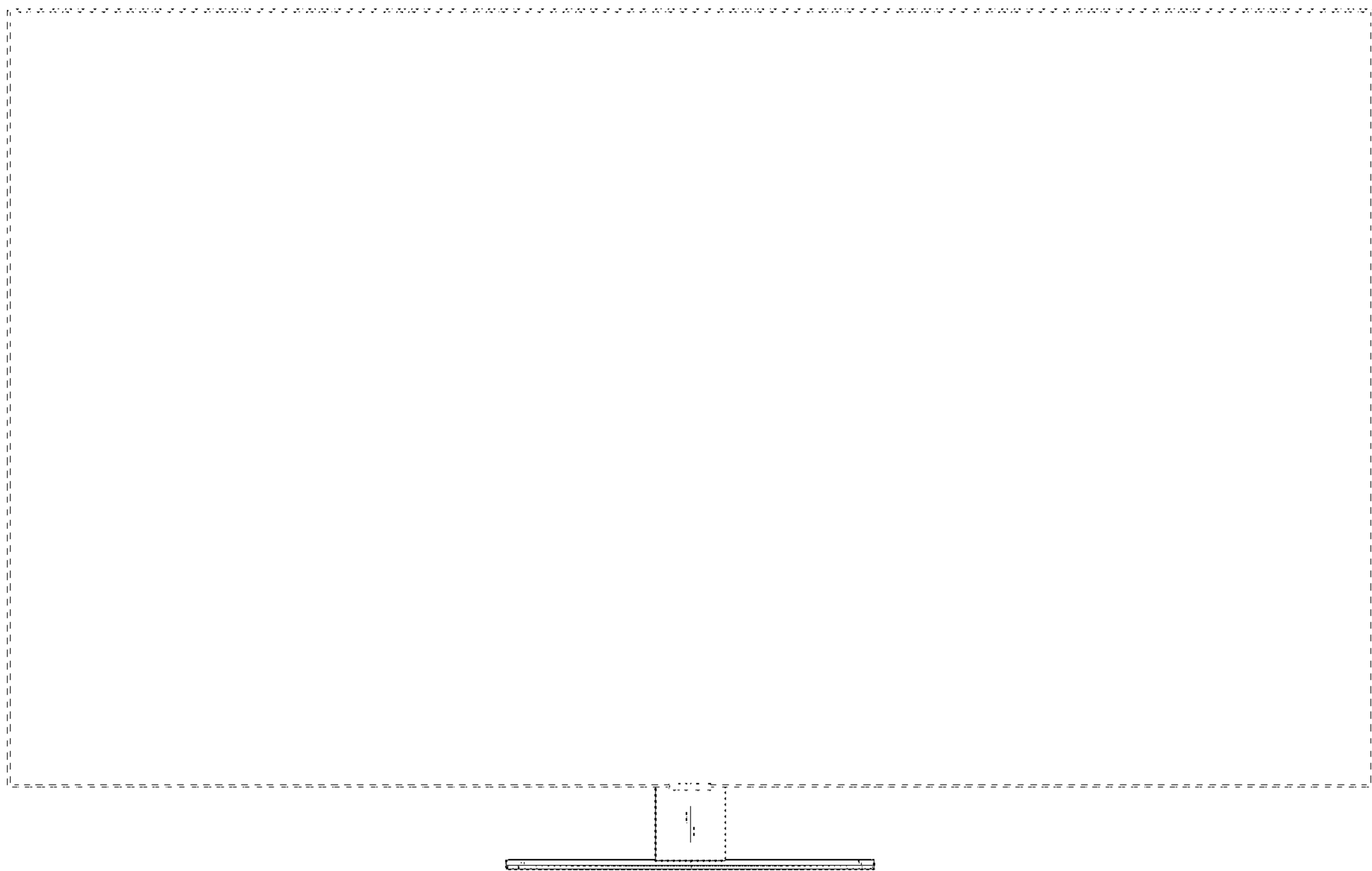


FIG. 3

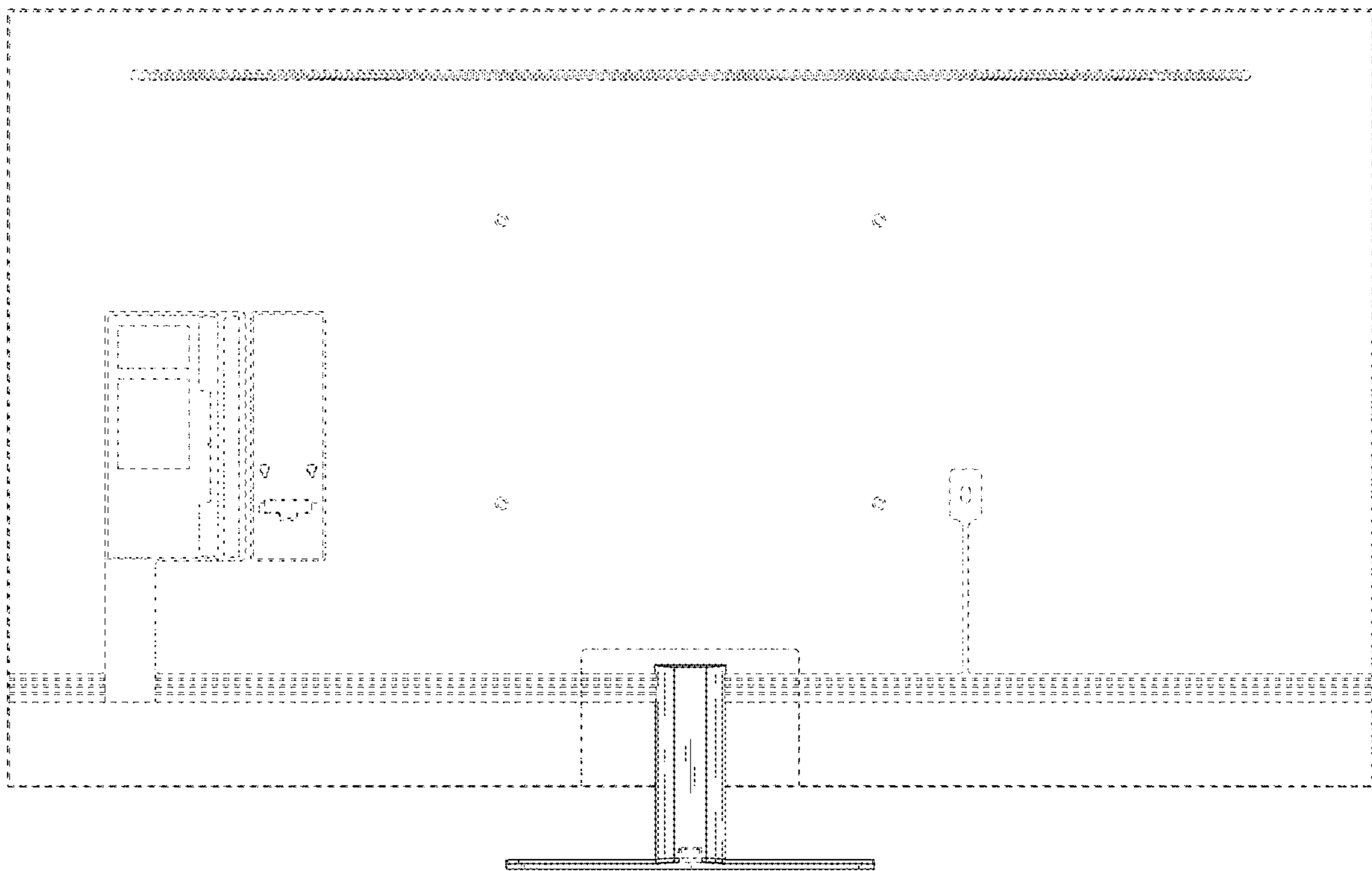


FIG. 4

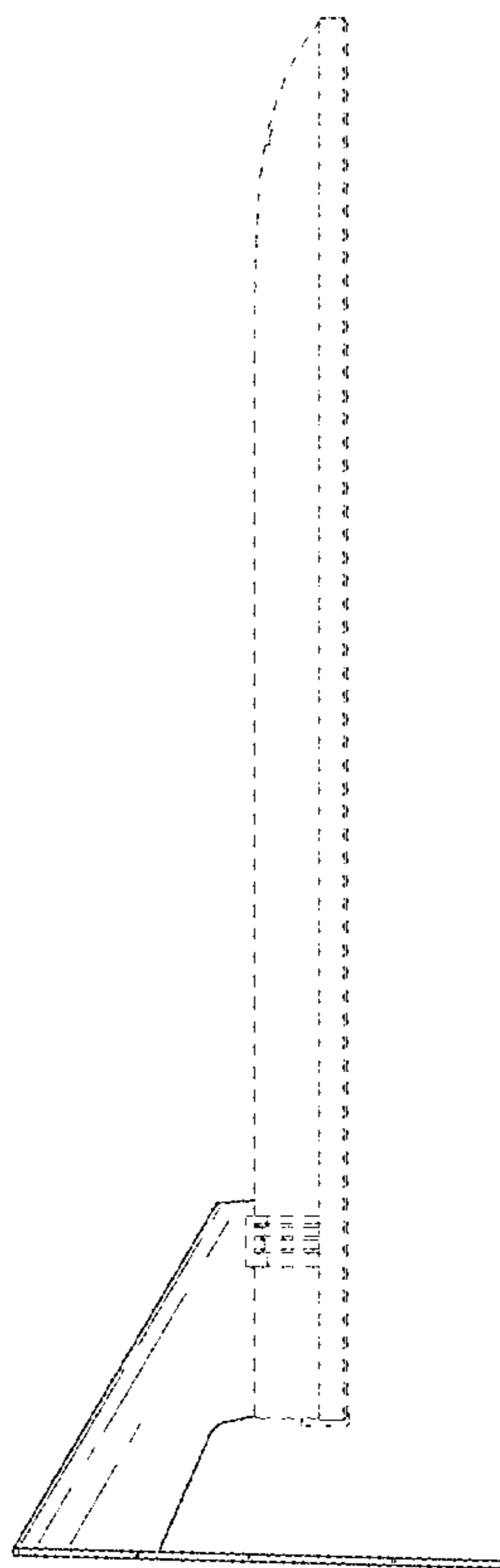


FIG. 5

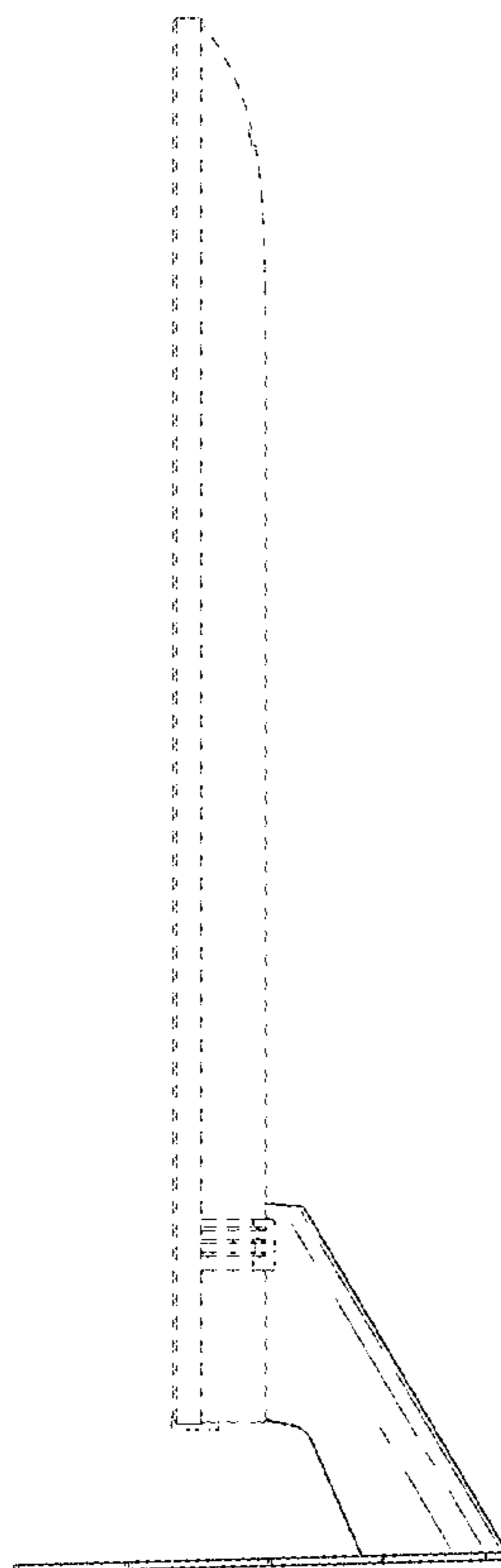


FIG. 6

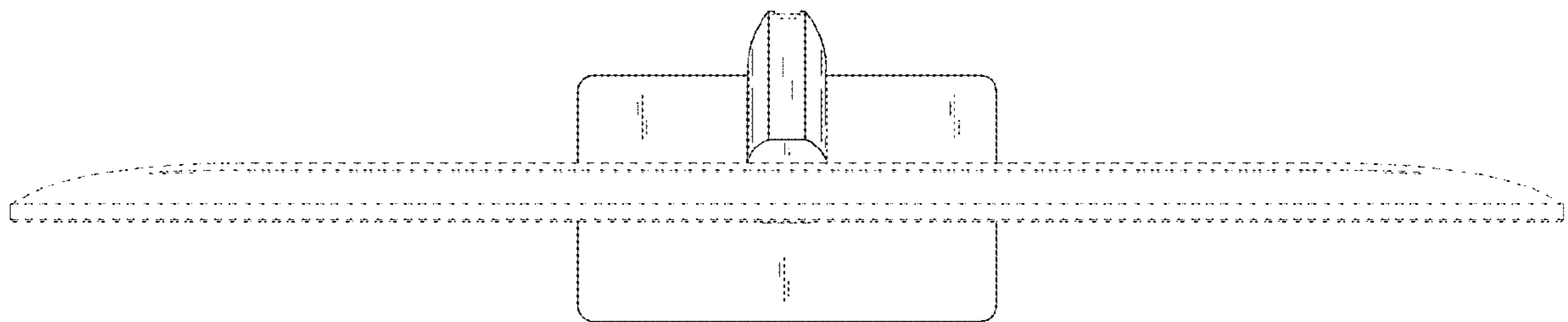




FIG. 7

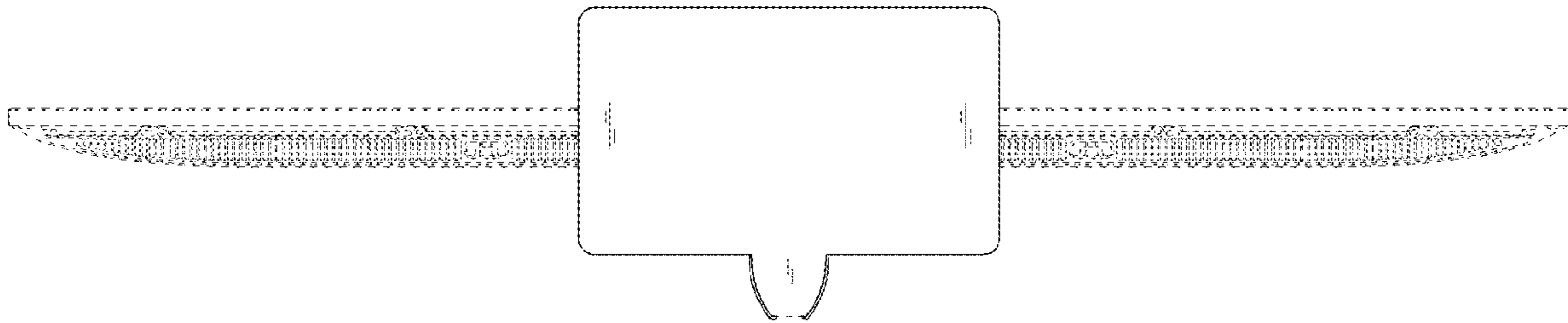


FIG. 8

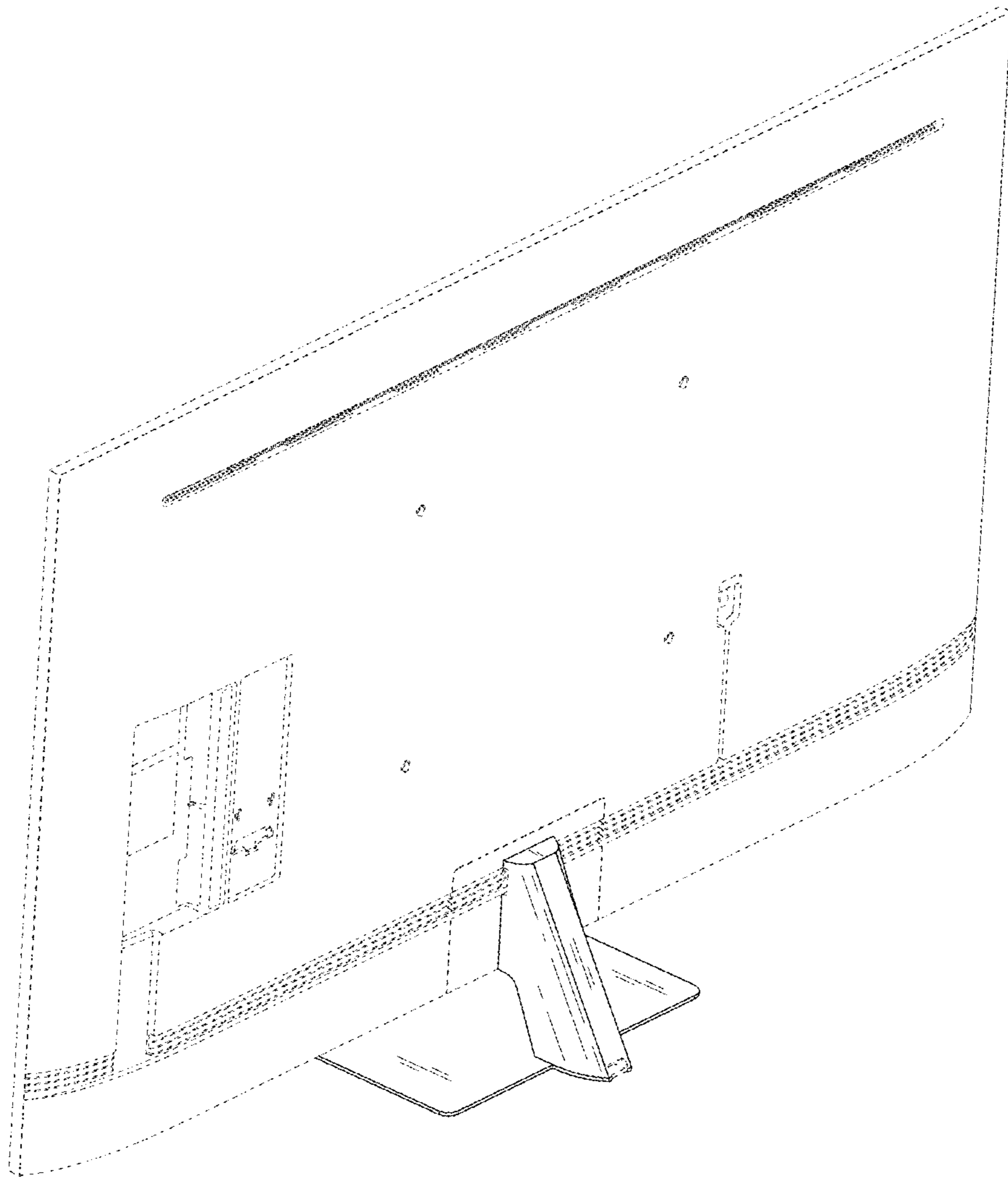


FIG. 9

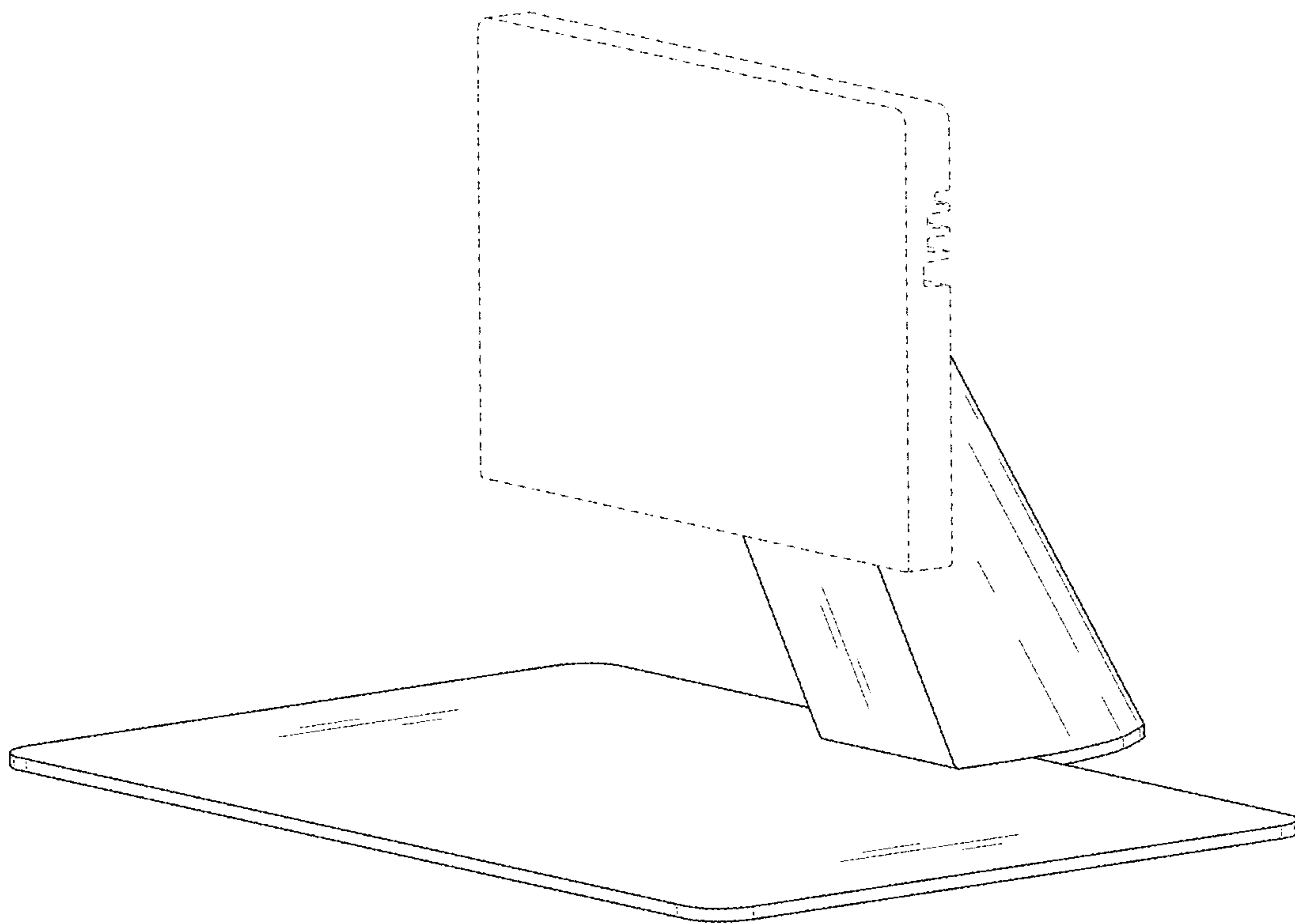


FIG. 10

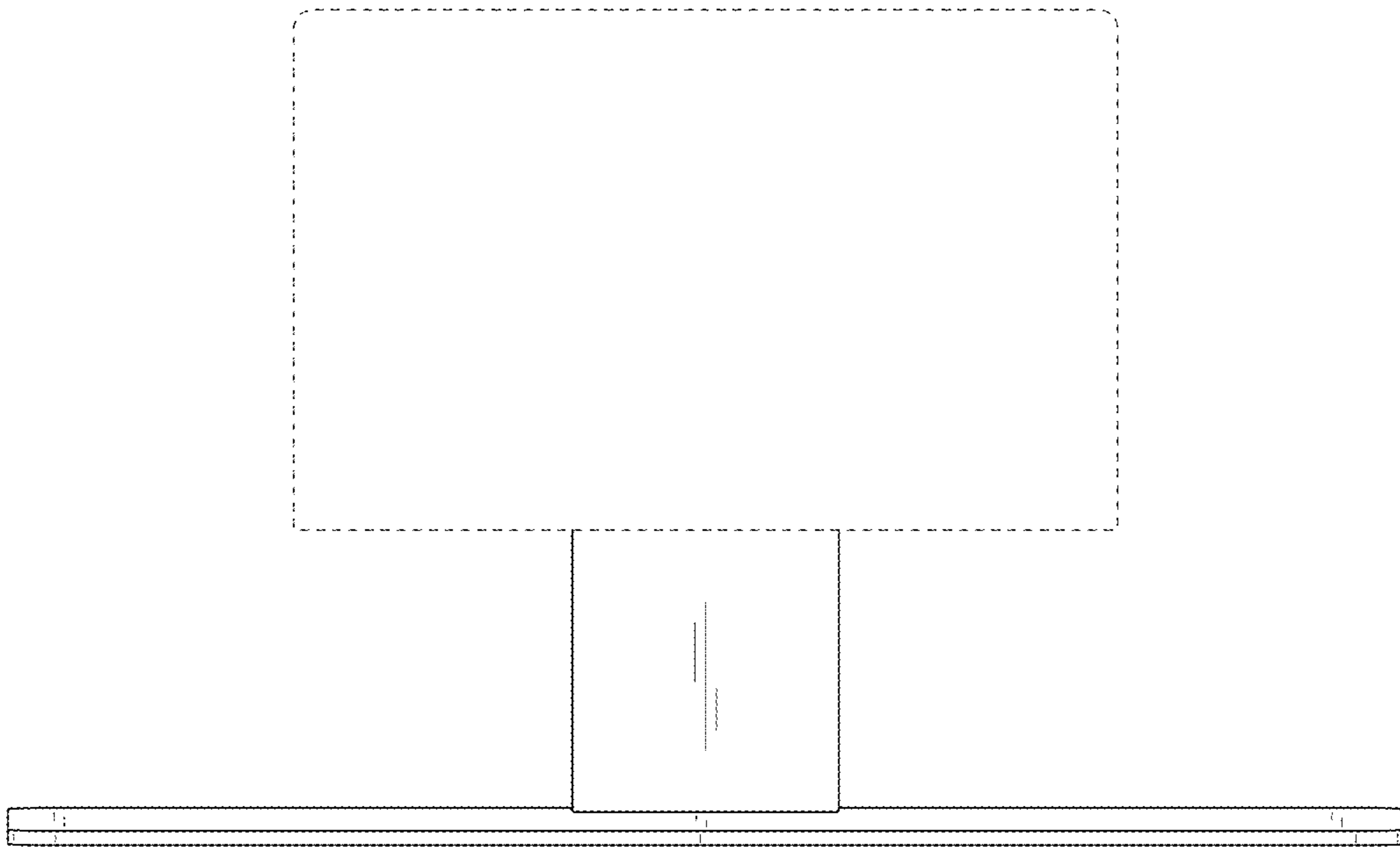


FIG. 11

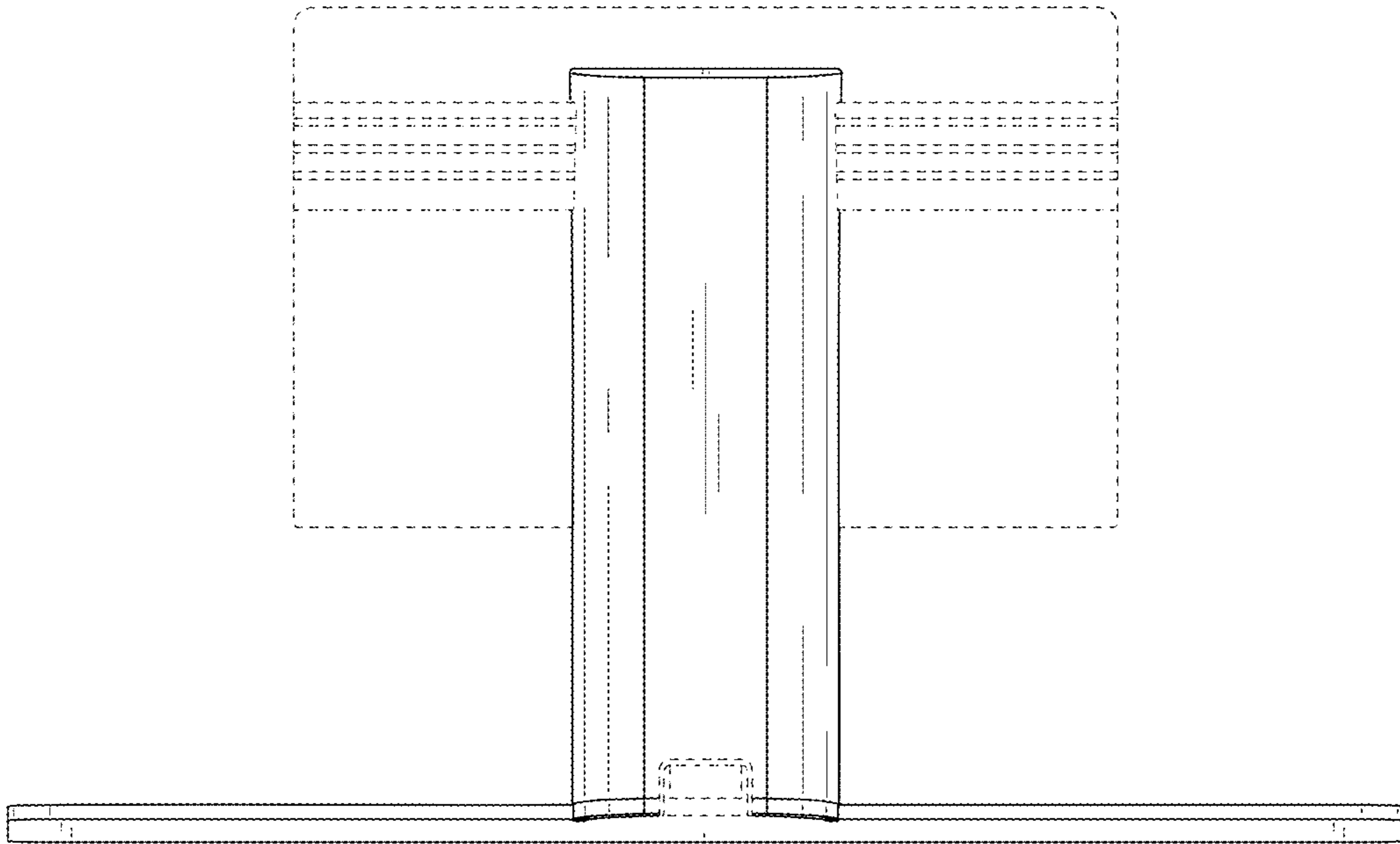


FIG. 12

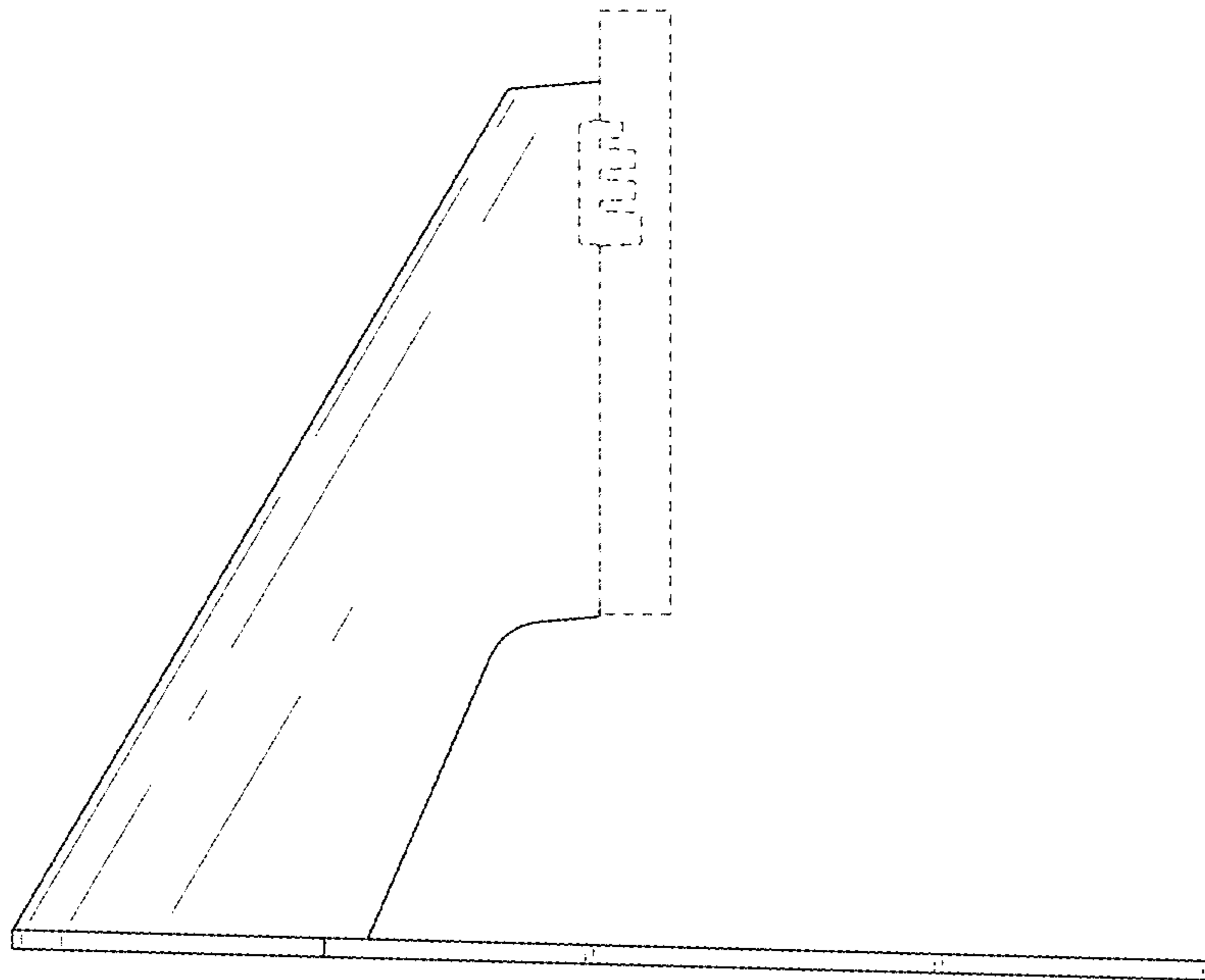


FIG. 13

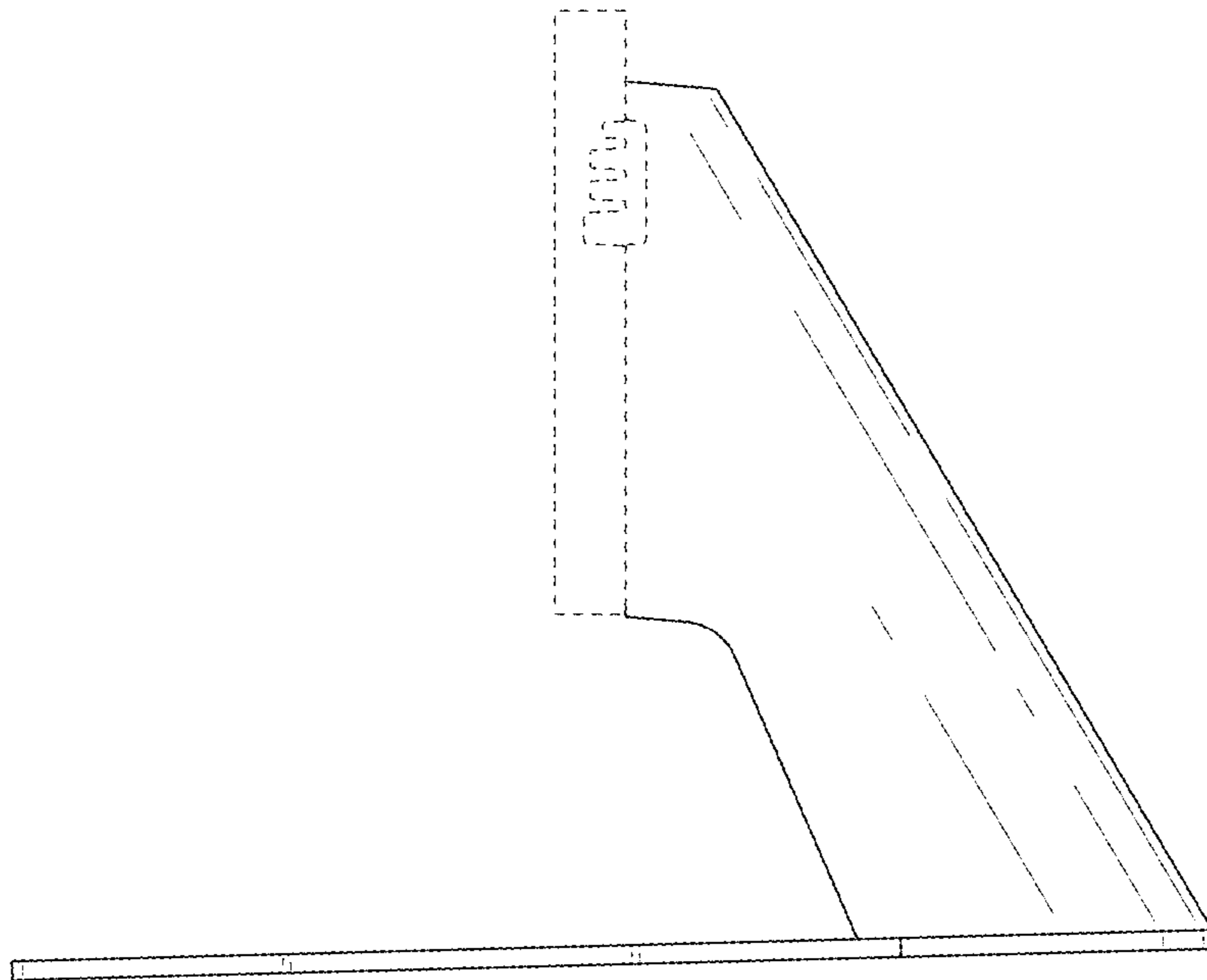


FIG. 14

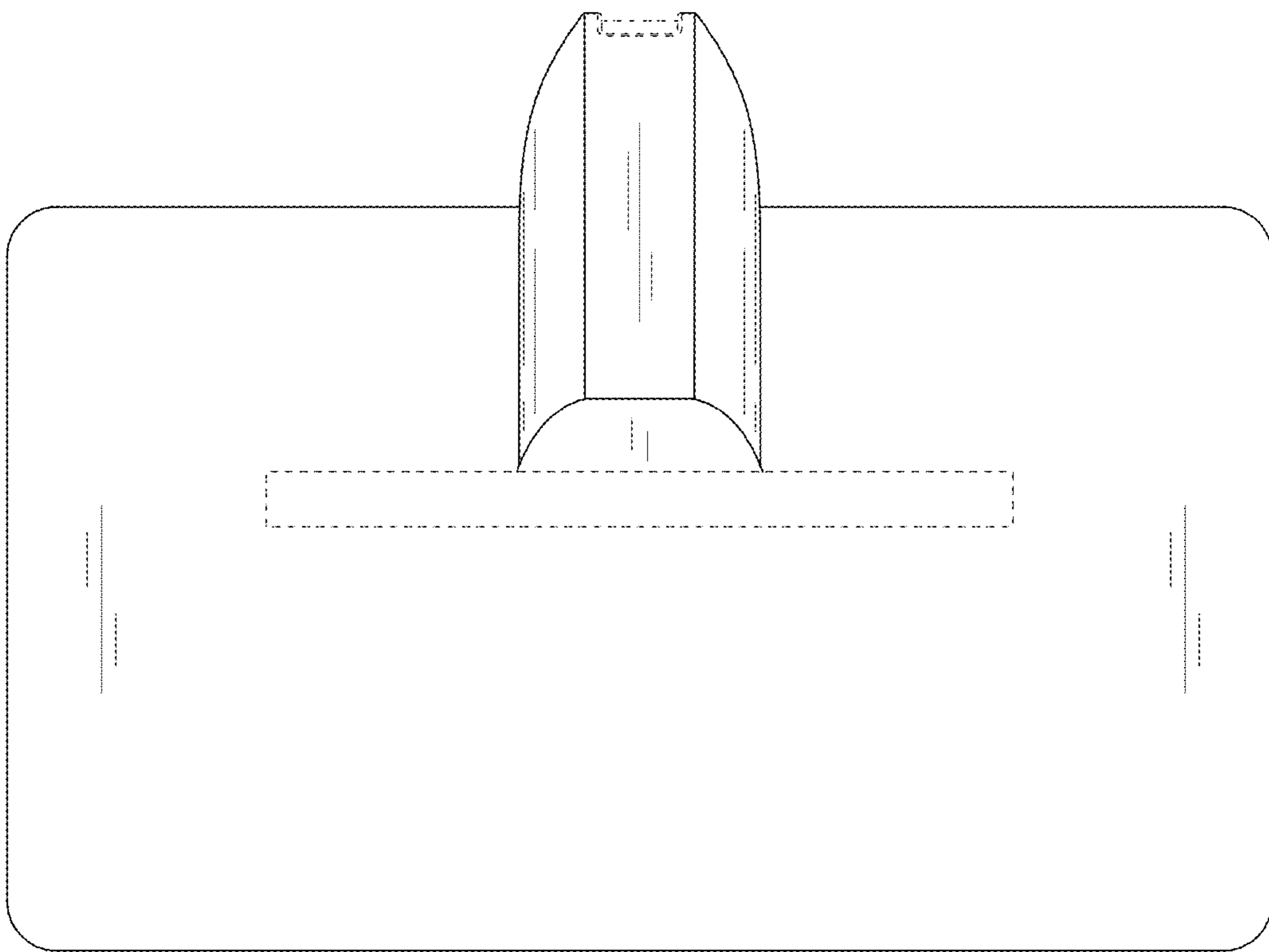




FIG. 15

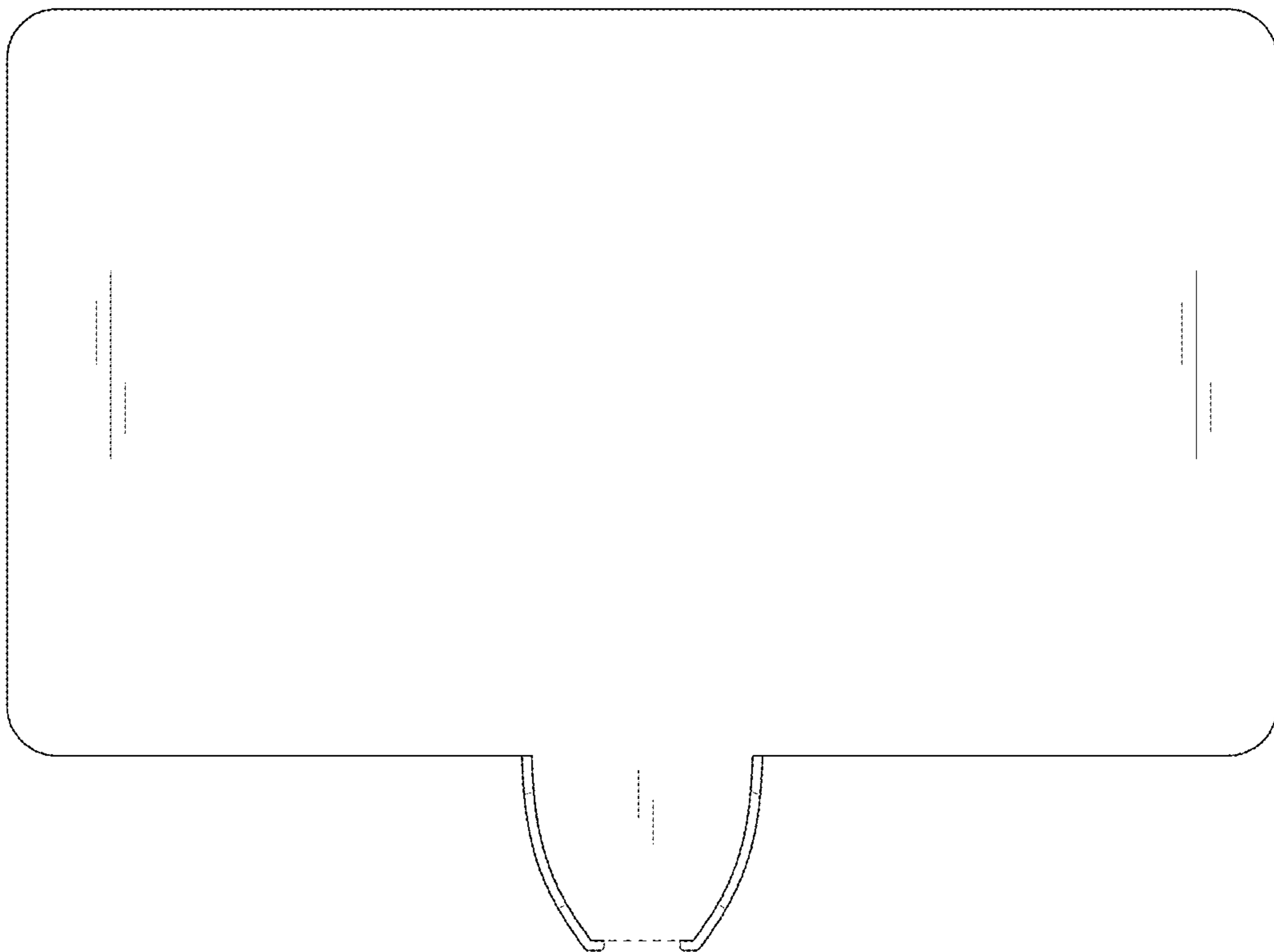


FIG. 16

