



US00D924879S

(12) **United States Design Patent** (10) **Patent No.:** **US D924,879 S**
Mecchella (45) **Date of Patent:** **** Jul. 13, 2021**

(54) **DEVICE COVER**

(71) Applicant: **Amazon Technologies, Inc.**, Seattle, WA (US)

(72) Inventor: **Monica Liane Mecchella**, San Francisco, CA (US)

(73) Assignee: **Amazon Technologies, Inc.**, Seattle, WA (US)

(**) Term: **15 Years**

(21) Appl. No.: **29/760,624**

(22) Filed: **Dec. 2, 2020**

Related U.S. Application Data

(62) Division of application No. 29/694,191, filed on Jun. 7, 2019, now Pat. No. Des. 907,045, which is a division of application No. 29/641,708, filed on Mar. 23, 2018, now Pat. No. Des. 854,546.

(51) **LOC (13) Cl.** **14-02**

(52) **U.S. Cl.**
USPC **D14/440**

(58) **Field of Classification Search**
USPC D14/440, 447, 250; 206/45.23, 320, 206/45.2; 361/679.55; 294/25; 224/218; 455/575.8
CPC ... G06F 1/1628; G06F 1/1626; A47B 23/044; H04B 1/3888; A45C 11/00
See application file for complete search history.

(56) **References Cited**

U.S. PATENT DOCUMENTS

- D397,246 S 8/1998 Hoofnagle et al.
- D448,761 S 10/2001 Powell
- D448,762 S 10/2001 Powell
- D451,094 S 11/2001 Powell
- D605,645 S 12/2009 Kettula
- 7,843,395 B2 11/2010 Chen et al.

- D635,555 S * 4/2011 Giles D14/217
 - D641,756 S 7/2011 Hsieh et al.
 - D643,029 S 8/2011 Feng
 - 8,016,107 B2 9/2011 Emsky
 - D646,266 S 10/2011 Kim et al.
- (Continued)

OTHER PUBLICATIONS

Canadian Office Action dated Jun. 17, 2019 for Canadian Patent Application No. 183436, a counterpart of U.S. Appl. No. 29/641,708, 1 pages.

(Continued)

Primary Examiner — Cynthia R Underwood
(74) *Attorney, Agent, or Firm* — Lee & Hayes, P.C.

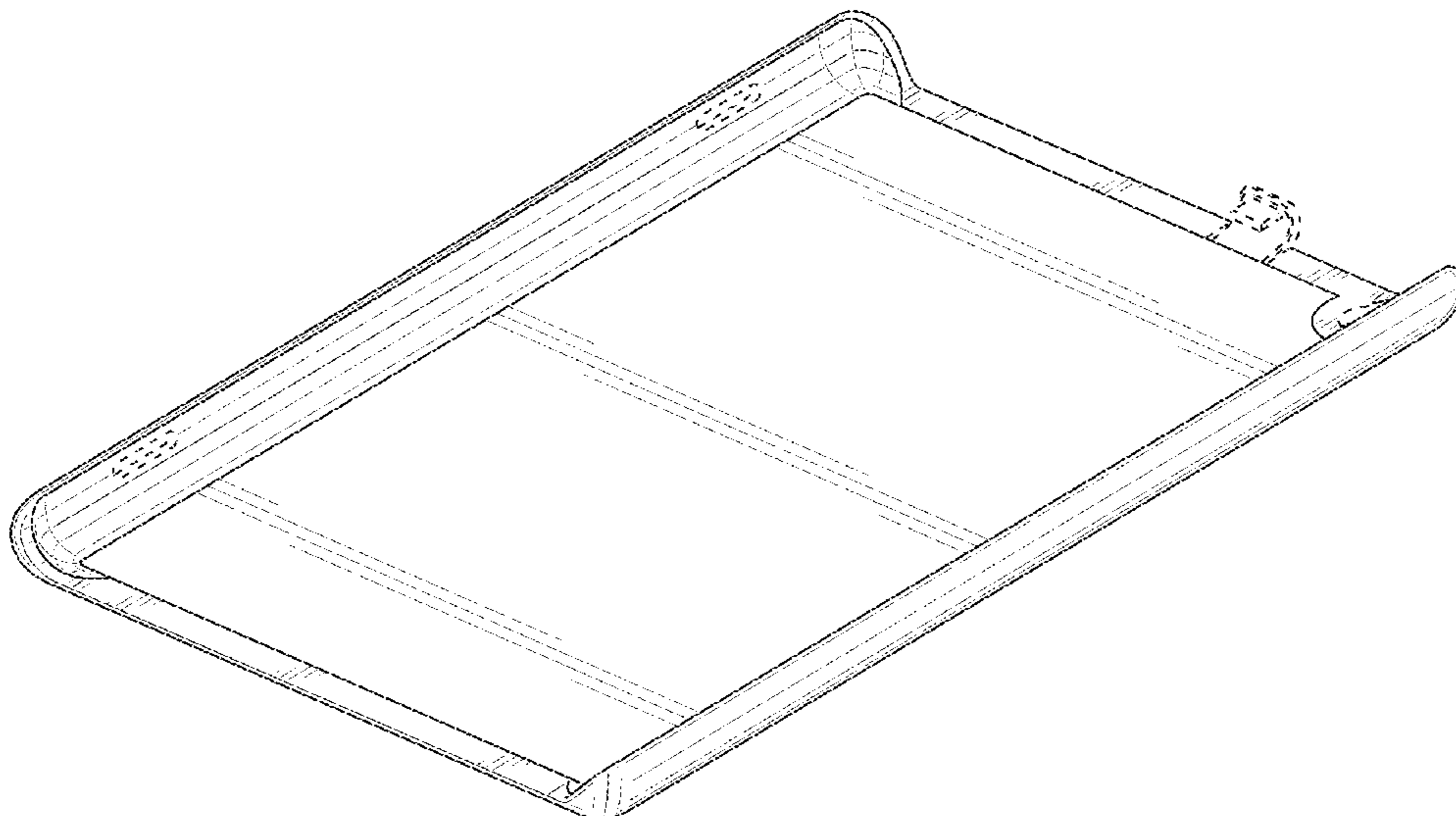
(57) **CLAIM**

The ornamental design for a device cover, as shown and described.

DESCRIPTION

FIG. 1 is a front perspective view of a first embodiment of a device cover;
FIG. 2 is a bottom view thereof;
FIG. 3 is a top view thereof;
FIG. 4 is a left-side view thereof;
FIG. 5 is a right-side view thereof;
FIG. 6 is a front view thereof;
FIG. 7 is a back view thereof;
FIG. 8 is a front perspective view of a second embodiment of a device cover;
FIG. 9 is a bottom view thereof;
FIG. 10 is a top view thereof;
FIG. 11 is a left-side view thereof;
FIG. 12 is a right-side view thereof;
FIG. 13 is a front view thereof; and,
FIG. 14 is a back view thereof.
The dashed broken lines depict portions of the device cover that form no part of the claimed design.

1 Claim, 14 Drawing Sheets



(56)

References Cited

U.S. PATENT DOCUMENTS

D665,809 S 8/2012 Wang et al.
 D668,660 S 10/2012 Norfolk
 D670,702 S 11/2012 Zhang et al.
 D675,210 S 1/2013 Kim
 D676,854 S 2/2013 Hsu et al.
 D677,249 S 3/2013 Li et al.
 D678,293 S 3/2013 Meehan
 8,415,572 B2 4/2013 Yang
 D687,427 S 8/2013 Peterson
 D690,703 S 10/2013 Welch et al.
 D698,772 S 2/2014 Merenda
 D708,621 S * 7/2014 Gifford D14/447
 8,817,466 B2 8/2014 Xie
 D713,846 S 9/2014 Chen et al.
 D714,295 S * 9/2014 Fujioka D14/440
 D718,316 S 11/2014 Veltz et al.
 D736,777 S * 8/2015 Rayner D14/440
 9,149,100 B2 10/2015 Marshall et al.
 D750,619 S 3/2016 Amit et al.
 D754,651 S * 4/2016 Roberts D14/250
 D756,344 S * 5/2016 Roberts D14/250
 D757,731 S 5/2016 Nguyen et al.
 9,327,544 B2 5/2016 Ceruzzi
 9,335,791 B2 5/2016 Fontana et al.
 9,354,724 B2 5/2016 Huguenard
 D761,263 S * 7/2016 Brinkman D14/440
 9,395,753 B2 7/2016 Amano et al.
 D764,474 S 8/2016 Penn
 D764,475 S 8/2016 Penn
 D766,247 S 9/2016 Burmester
 D766,906 S * 9/2016 Kim D14/440
 D774,036 S * 12/2016 Kuntz D14/440
 D775,132 S 12/2016 Smith et al.
 D776,122 S 1/2017 Akana et al.
 D776,123 S 1/2017 Akana et al.
 D777,167 S 1/2017 Wengreen
 D784,349 S * 4/2017 Schwibner D14/440
 D786,879 S 5/2017 Kim
 D795,880 S * 8/2017 Akana D14/440
 D795,881 S * 8/2017 Akana D14/440

D804,486 S 12/2017 Nyholm et al.
 D807,892 S 1/2018 Wang
 D810,750 S * 2/2018 Chang D14/434
 D811,410 S * 2/2018 Burmester D14/440
 D812,621 S 3/2018 Nyholm et al.
 D826,237 S * 8/2018 Cadalora B60R 11/0241
 D14/440
 10,110,269 B2 10/2018 Nyholm et al.
 D832,836 S 11/2018 Akana et al.
 D834,026 S * 11/2018 Moore D14/440
 D850,454 S * 6/2019 Kim D14/440
 D854,546 S * 7/2019 Mecchella D14/440
 D863,316 S * 10/2019 Chan D14/440
 D872,094 S 1/2020 Wright et al.
 D875,098 S * 2/2020 Duffy D14/440
 D888,719 S * 6/2020 Moore D14/440
 D890,764 S * 7/2020 Yang D14/440
 D892,802 S * 8/2020 Jones D14/440
 D897,350 S * 9/2020 Wang D14/440
 2011/0297578 A1 * 12/2011 Stiehl A45F 5/00
 206/701
 2012/0043247 A1 * 2/2012 Westrup G06F 1/1633
 206/472
 2012/0170212 A1 7/2012 Gallouzi et al.
 2012/0182678 A1 * 7/2012 Wu A45F 5/10
 361/679.01
 2012/0257340 A1 * 10/2012 Kim H04B 1/3888
 361/679.01
 2013/0222139 A1 8/2013 Gouge et al.
 2013/0341222 A1 * 12/2013 Lin B65D 75/322
 206/320

OTHER PUBLICATIONS

Indian Office Action dated Sep. 27, 2018, for the Indian Patent Application No. 310097, a counterpart foreign patent application of the U.S. Appl. No. 9/641,708, 2 pages.
 Korean Office Action dated Feb. 14, 2019 for Korean Patent Application No. 30-2018-44226, a counterpart of U.S. Appl. No. 29/641,708, 3 pages.

* cited by examiner

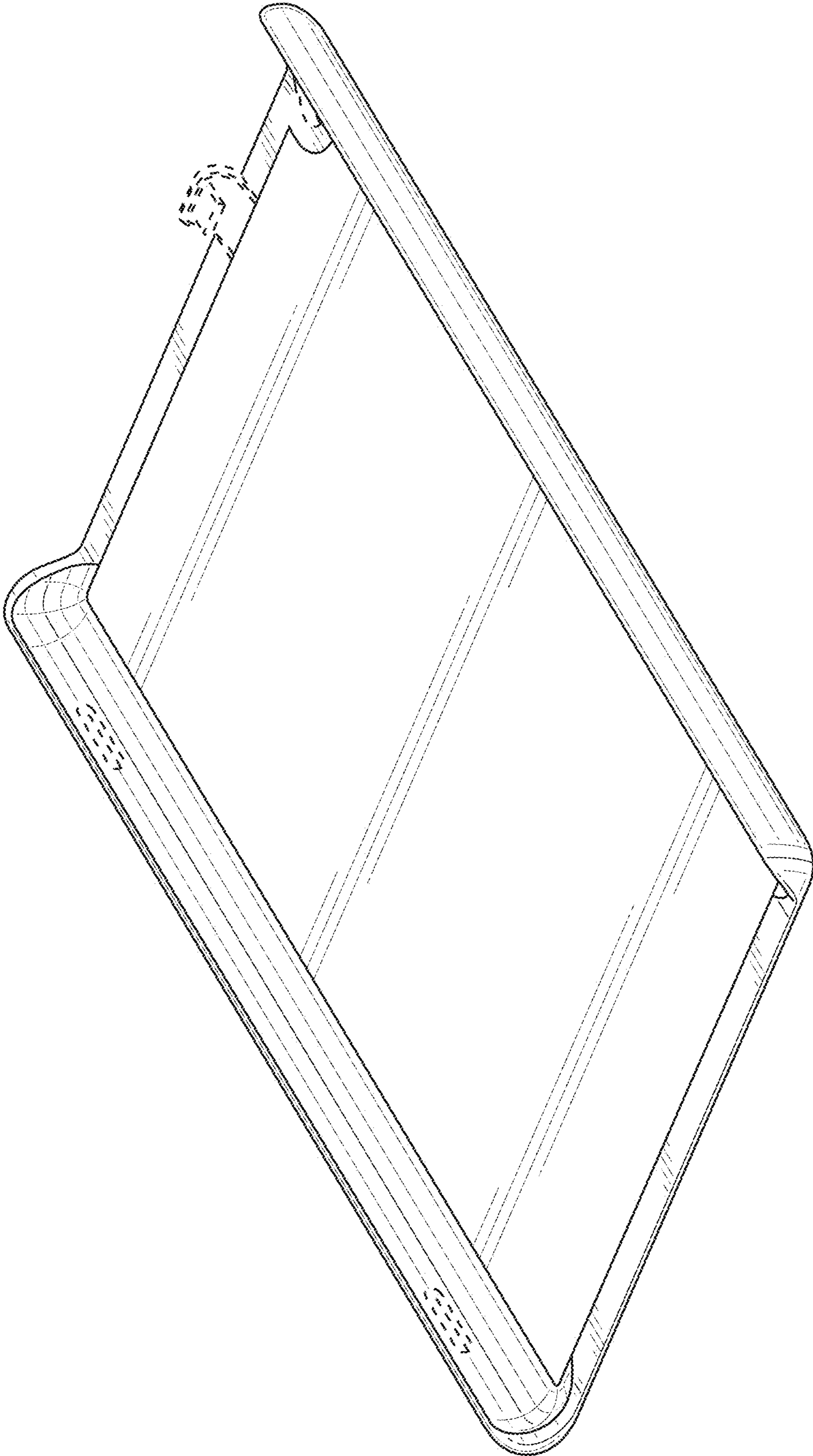


FIG. 1

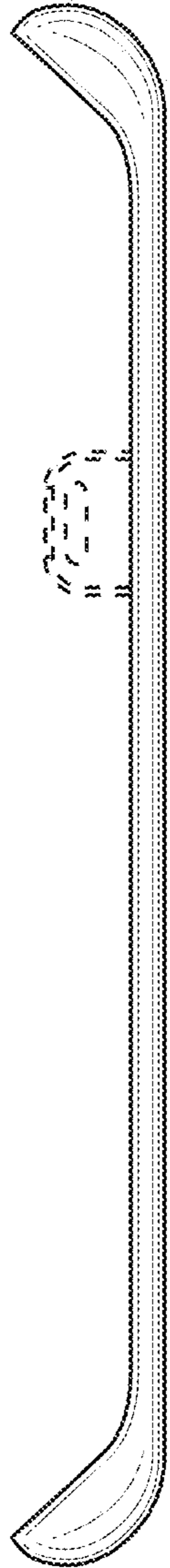


FIG. 2

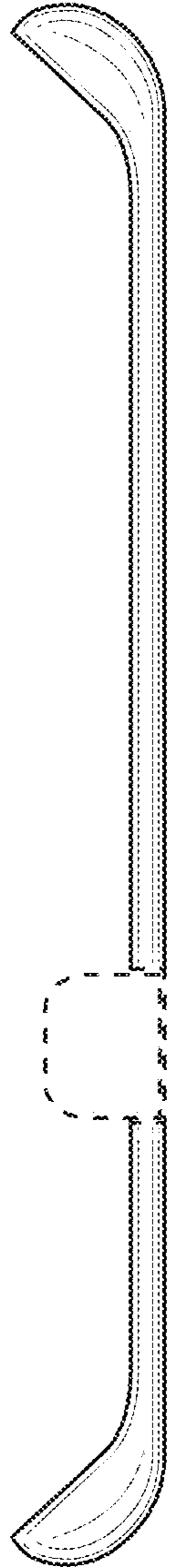


FIG. 3

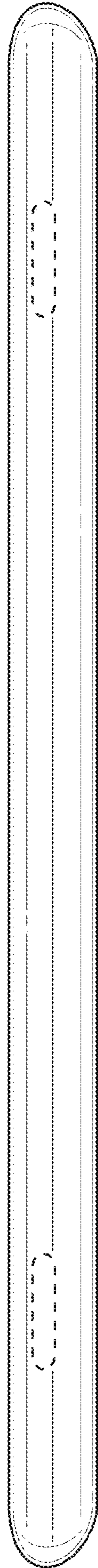


FIG. 4

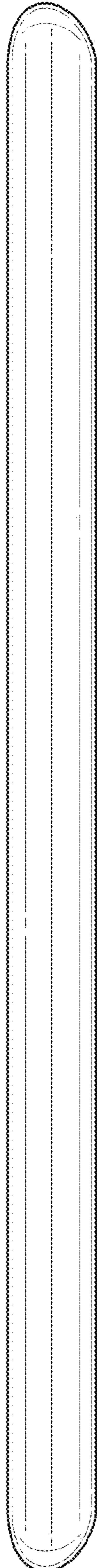


FIG. 5

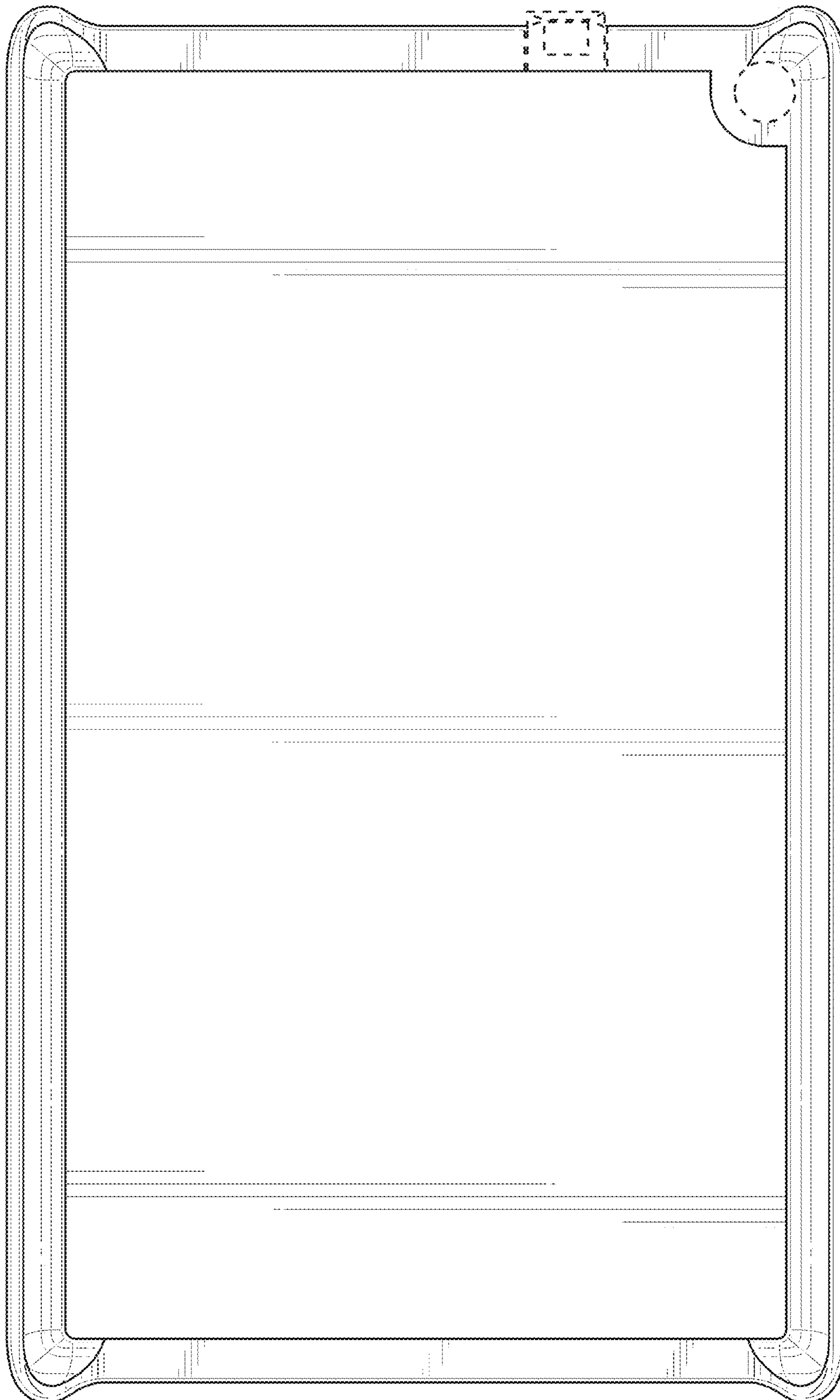


FIG. 6

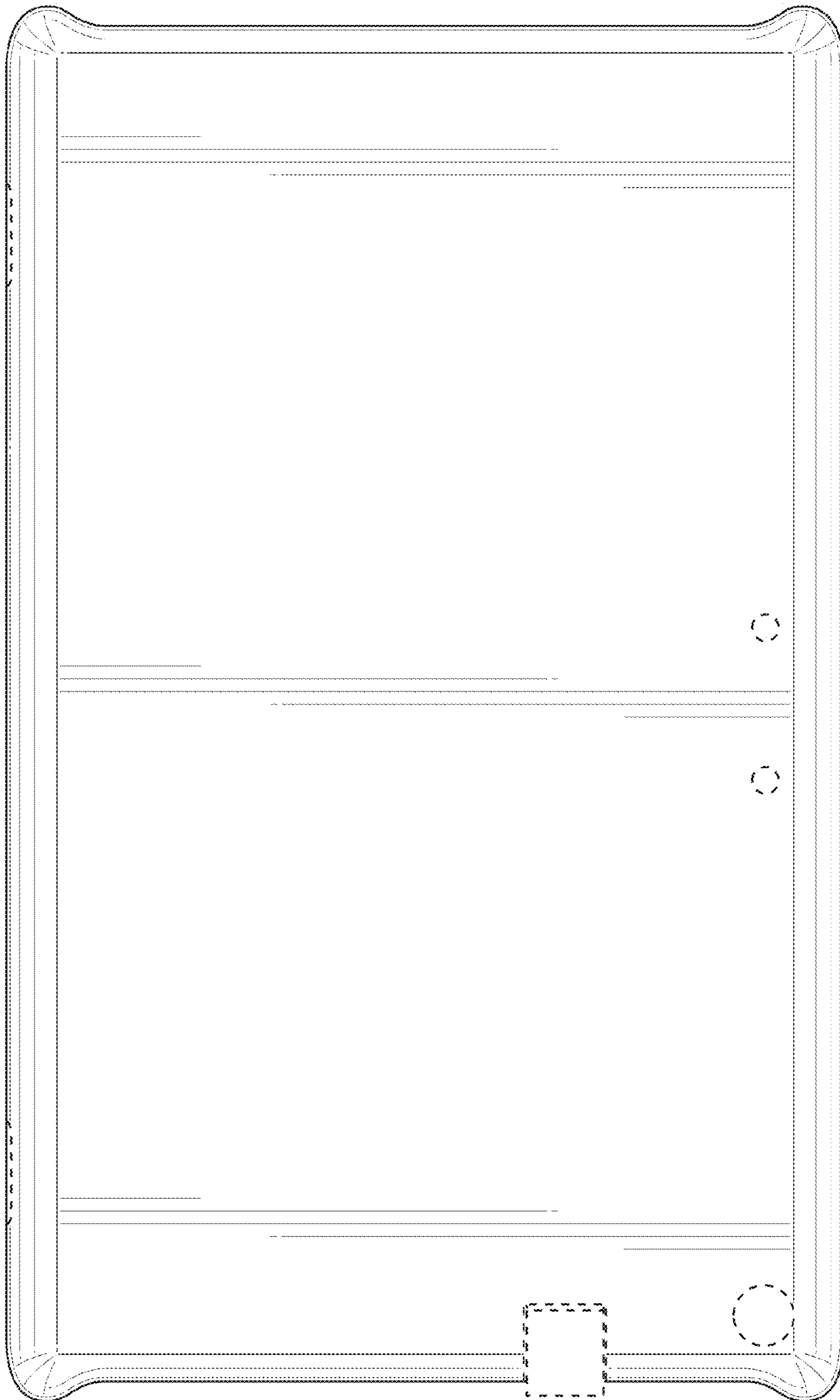


FIG. 7

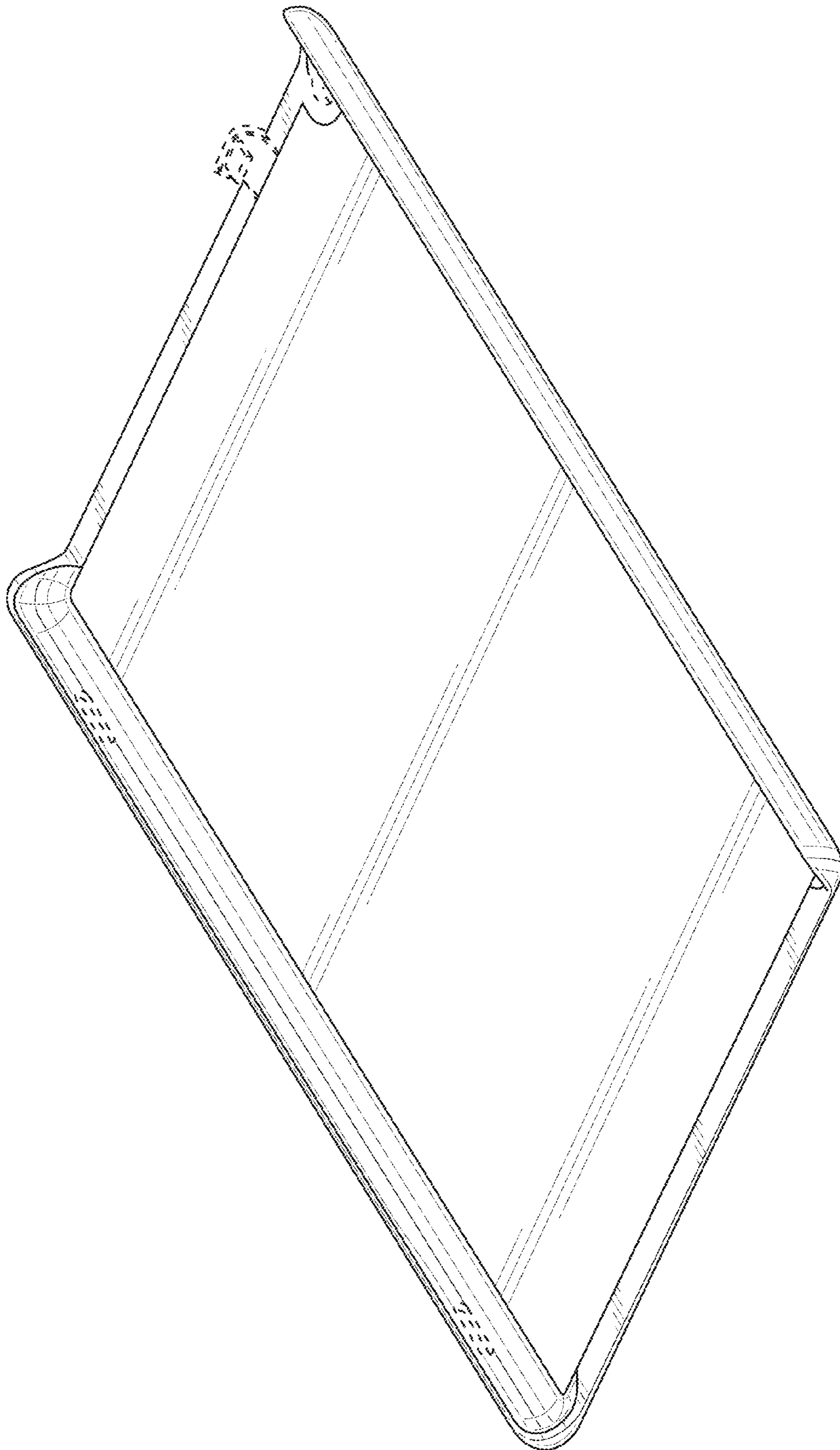


FIG. 8

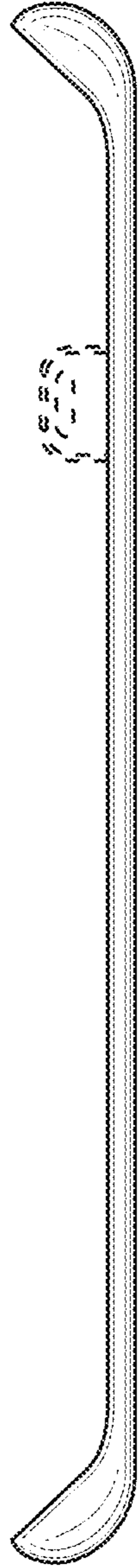


FIG. 9



FIG. 10

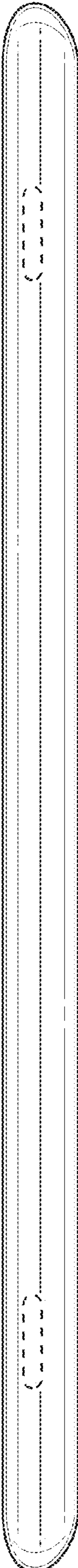


FIG. 11

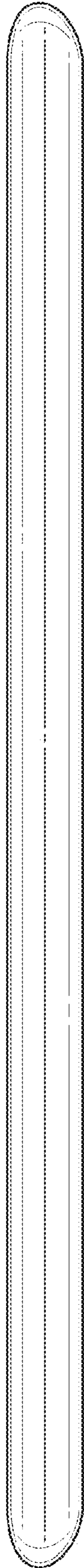


FIG. 12

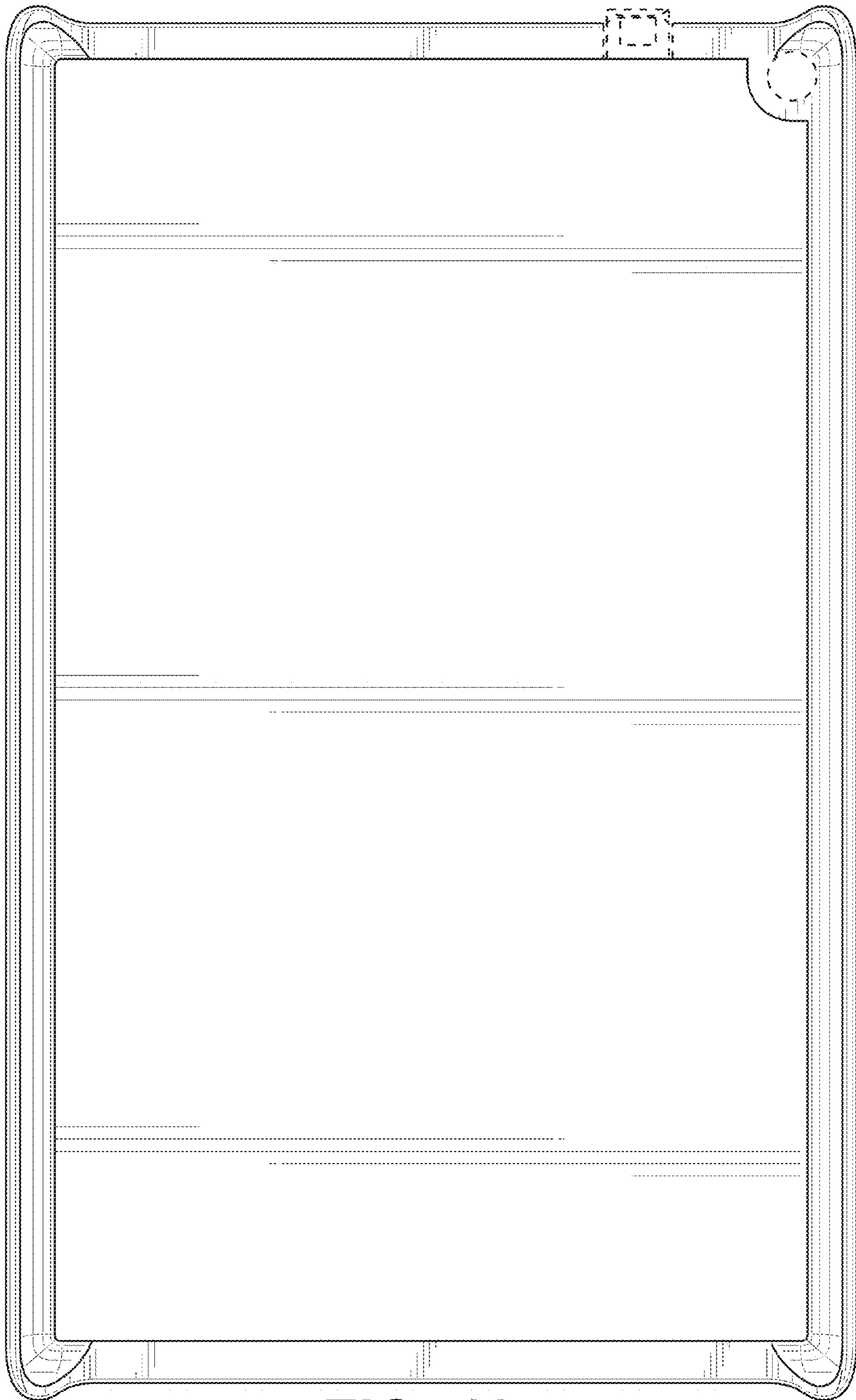


FIG. 13

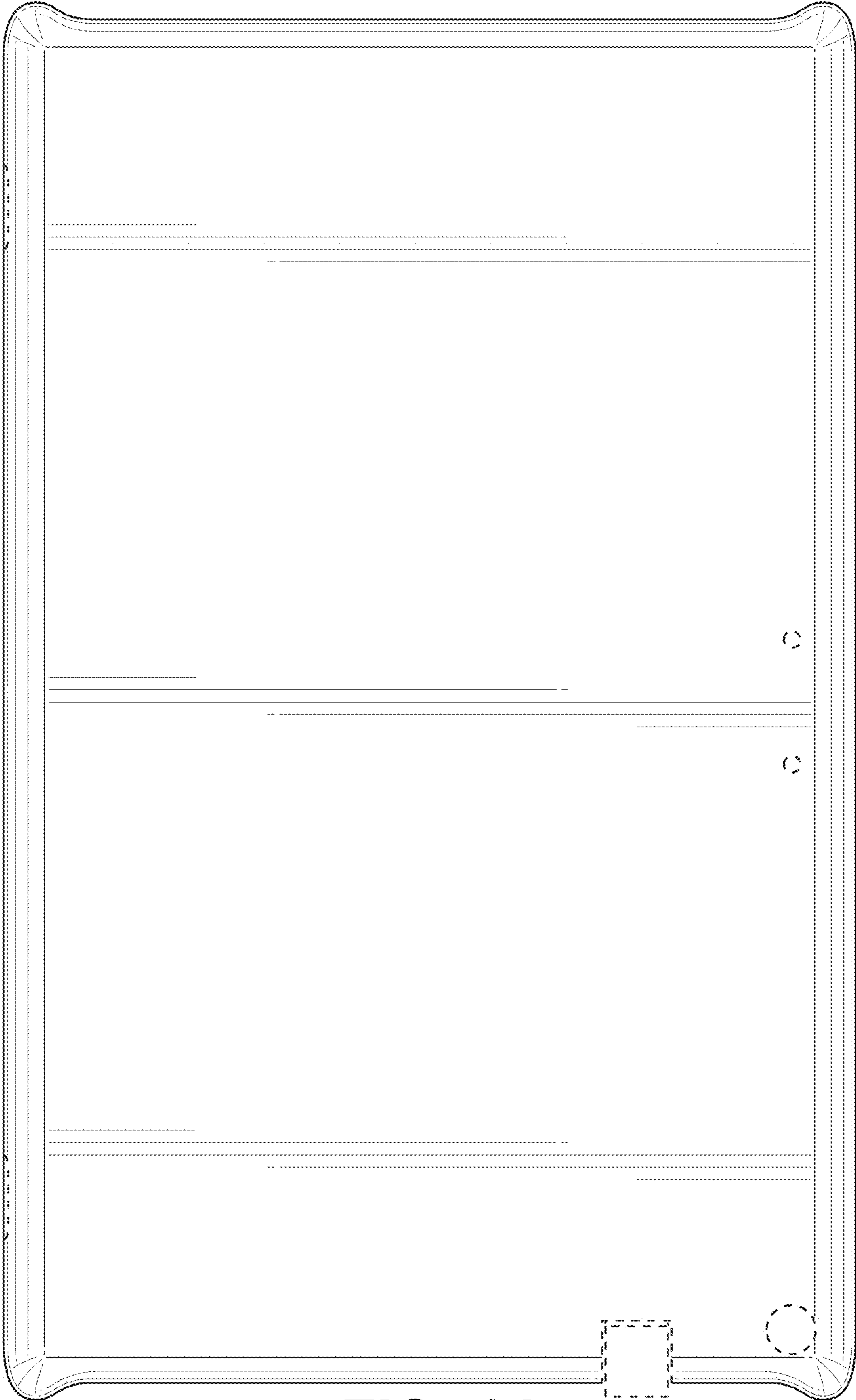


FIG. 14