



US00D924878S

(12) **United States Design Patent** (10) **Patent No.:** **US D924,878 S**  
**Han et al.** (45) **Date of Patent:** **\*\* Jul. 13, 2021**

(54) **ELECTRONIC DEVICE**  
(71) Applicant: **Amazon Technologies, Inc.**, Seattle, WA (US)  
(72) Inventors: **Sun Joo Han**, San Francisco, CA (US); **Giles David Matthew McWilliam**, San Francisco, CA (US); **Christopher Green**, San Francisco, CA (US)  
(73) Assignee: **Amazon Technologies, Inc.**, Seattle, WA (US)

5,717,566 A 2/1998 Tao  
6,955,293 B1 \* 10/2005 Katsanevas ..... G07F 19/20  
235/379  
D514,565 S \* 2/2006 Haygood ..... D14/371  
D694,245 S \* 11/2013 Sanz ..... D14/440  
D694,653 S \* 12/2013 Hsu ..... D10/15  
D697,910 S 1/2014 Bianco et al.  
D703,311 S 4/2014 Daly  
D707,229 S 6/2014 Klmodova  
D717,304 S 11/2014 Yturralde et al.  
D735,199 S 7/2015 Song  
D736,777 S 8/2015 Rayner  
D739,365 S 9/2015 Garcia

(Continued)

(\*\*) Term: **15 Years**  
(21) Appl. No.: **29/758,507**  
(22) Filed: **Nov. 16, 2020**

**OTHER PUBLICATIONS**

Canadian Office Action dated Jan. 31, 2019 for Canadian Design Application No. 180989, a counterpart foreign application of Design U.S. Appl. No. 29/626,976, 1 page.

(Continued)

**Related U.S. Application Data**

(62) Division of application No. 29/698,386, filed on Jul. 16, 2019, now Pat. No. Des. 907,637, which is a division of application No. 29/626,976, filed on Nov. 21, 2017, now Pat. No. Des. 862,476.  
(51) **LOC (13) Cl.** ..... **14-02**  
(52) **U.S. Cl.**  
USPC ..... **D14/440**  
(58) **Field of Classification Search**  
USPC ..... D14/440, 447, 250, 341, 314, 336;  
206/45.23, 320, 45.2; 361/679.55;  
294/25; 224/218; 455/575.8  
CPC ... G06F 1/1628; G06F 1/1626; A47B 23/044;  
H04B 1/3888; A45C 11/00  
See application file for complete search history.

*Primary Examiner* — Cynthia R Underwood  
(74) *Attorney, Agent, or Firm* — Lee & Hayes, P.C.

(57) **CLAIM**

The ornamental design for an electronic device, as shown and described.

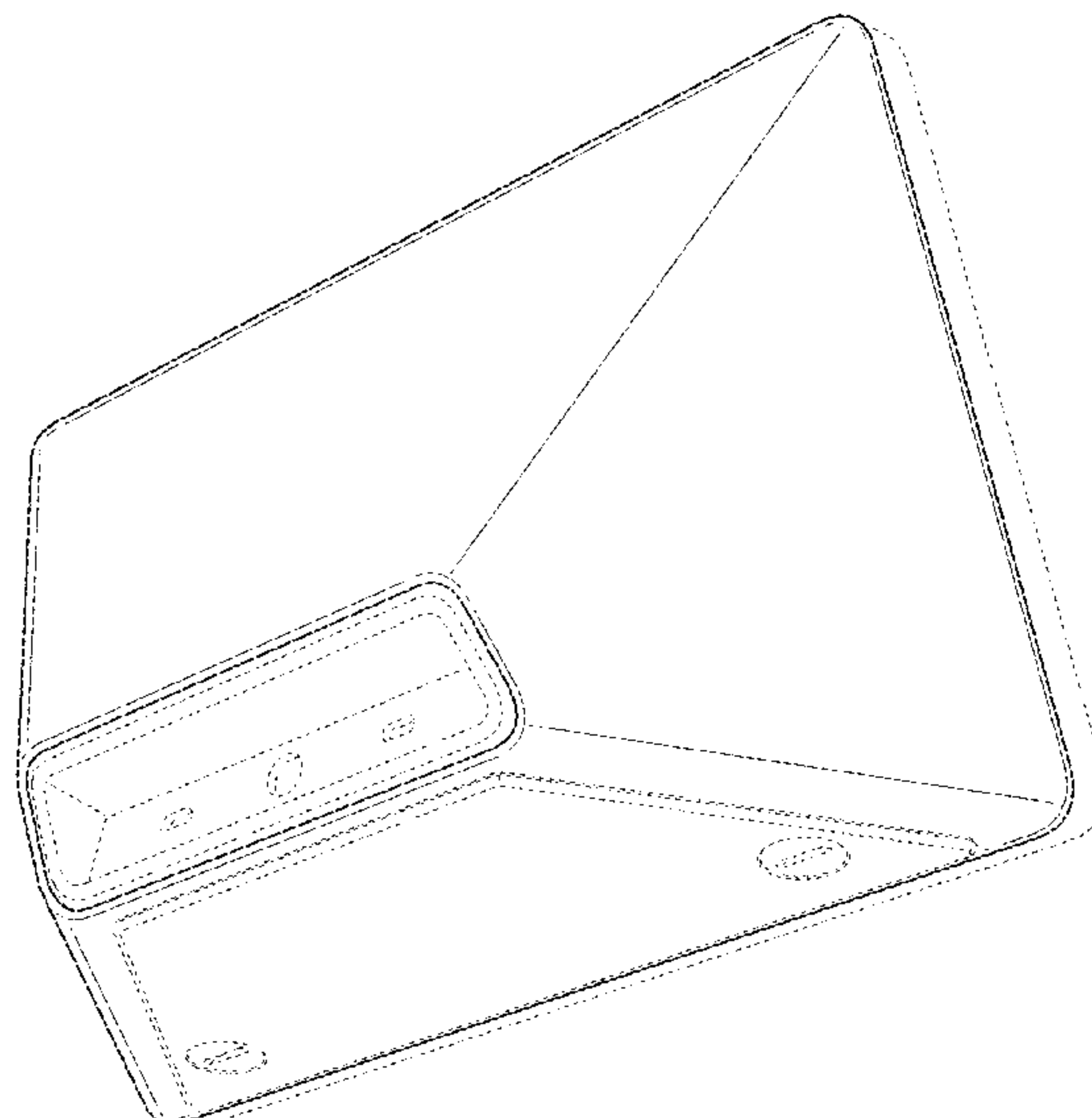
**DESCRIPTION**

FIG. 1 is a top, front perspective view of an electronic device;  
FIG. 2 is a bottom, back perspective view thereof;  
FIG. 3 is a front view thereof;  
FIG. 4 is a back view thereof;  
FIG. 5 is a left-side view thereof;  
FIG. 6 is a right-side view thereof;  
FIG. 7 is a top view thereof; and,  
FIG. 8 is a bottom view thereof.  
The dashed broken lines depict portions of the electronic device that form no part of the claimed design.

(56) **References Cited**  
U.S. PATENT DOCUMENTS

D237,754 S \* 11/1975 Ray, Jr. .... D14/440  
5,508,757 A \* 4/1996 Chen ..... H04N 5/65  
348/818

**1 Claim, 8 Drawing Sheets**



(56)

References Cited

U.S. PATENT DOCUMENTS

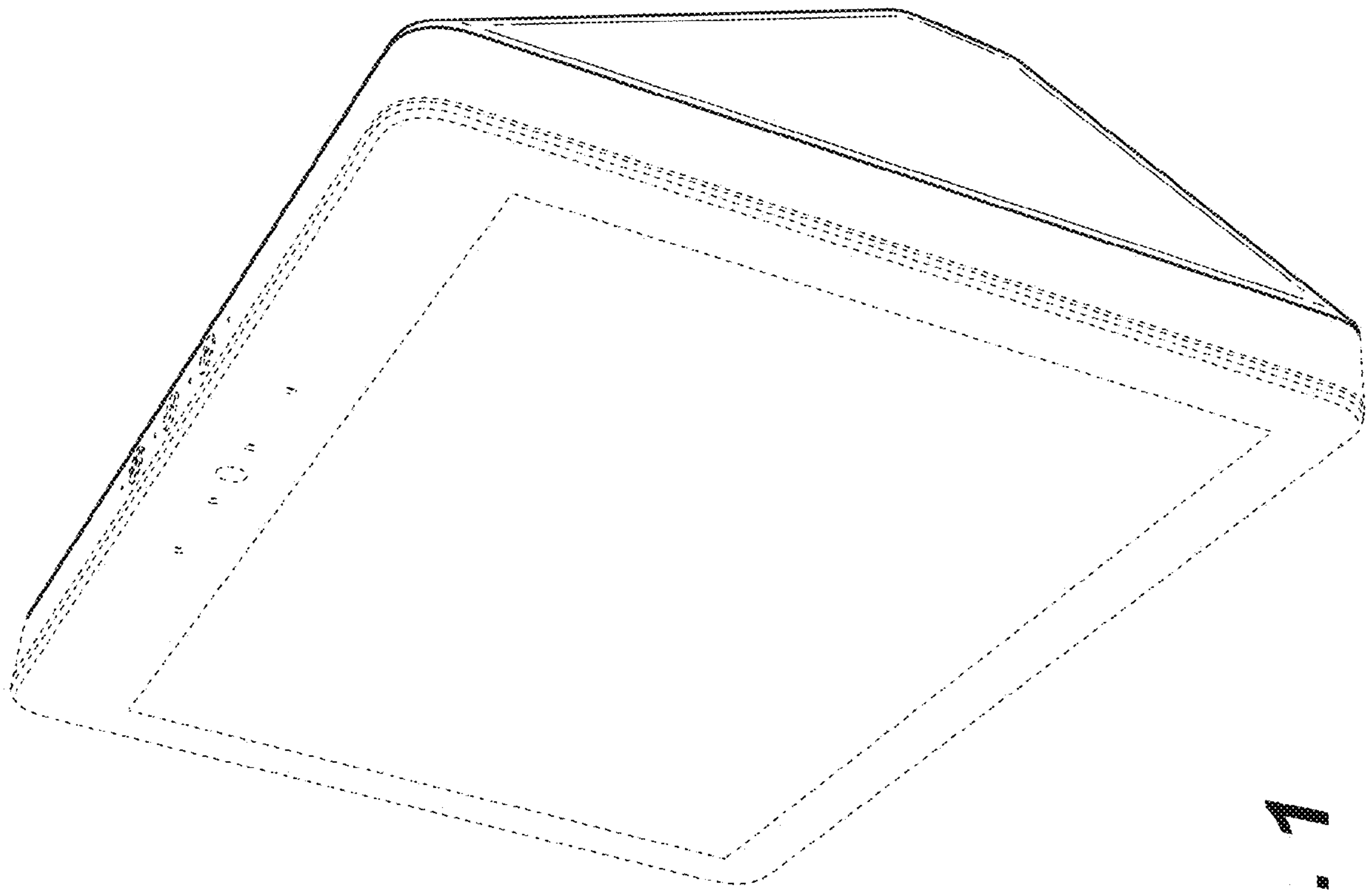
D752,044 S 3/2016 Akana et al.  
 D755,795 S \* 5/2016 Kulovany ..... D14/440  
 D764,477 S 8/2016 Su et al.  
 D768,122 S 10/2016 Buffone  
 D778,279 S 2/2017 Pendse et al.  
 D784,331 S 4/2017 Balch et al.  
 D789,362 S 6/2017 Eljas  
 D790,551 S 6/2017 Hoejlund-Hansen  
 D806,066 S 12/2017 McWilliam et al.  
 D835,614 S \* 12/2018 Kahn ..... D14/240  
 D840,391 S 2/2019 Son et al.  
 D841,644 S 2/2019 McWilliam et al.  
 10,310,559 B2 \* 6/2019 Holmes ..... G06F 1/1637  
 D864,952 S 10/2019 Tsukamoto et al.  
 D868,869 S \* 12/2019 Hodge ..... G06K 19/06009  
 D16/208  
 D873,265 S 1/2020 Wall et al.  
 D878,377 S 3/2020 Tur  
 D879,772 S 3/2020 Wall et al.  
 D885,582 S \* 5/2020 Nishiyama ..... D24/165  
 D886,189 S \* 6/2020 Koh ..... D18/4.4  
 D888,678 S 6/2020 Ryu et al.  
 D888,679 S 6/2020 Kim et al.  
 D888,680 S 6/2020 Kim et al.

D888,681 S 6/2020 Kim et al.  
 D890,161 S \* 7/2020 Sreenivas ..... D14/301  
 D893,479 S 8/2020 Ryu et al.  
 D897,977 S \* 10/2020 Saito ..... D14/126  
 D902,879 S \* 11/2020 Balch ..... D14/149  
 D905,027 S \* 12/2020 Chang ..... D14/240  
 D905,110 S \* 12/2020 Zhang ..... D14/496  
 2006/0087805 A1 \* 4/2006 Massih ..... G06F 1/181  
 361/679.02  
 2013/0258586 A1 \* 10/2013 Shao ..... A45C 11/00  
 361/679.55  
 2013/0341233 A1 \* 12/2013 Dow ..... A45C 11/00  
 206/521  
 2017/0294935 A1 \* 10/2017 Jacobs ..... H04M 1/185  
 2017/0300086 A1 10/2017 Blattel  
 2017/0322590 A1 11/2017 Jacobs et al.

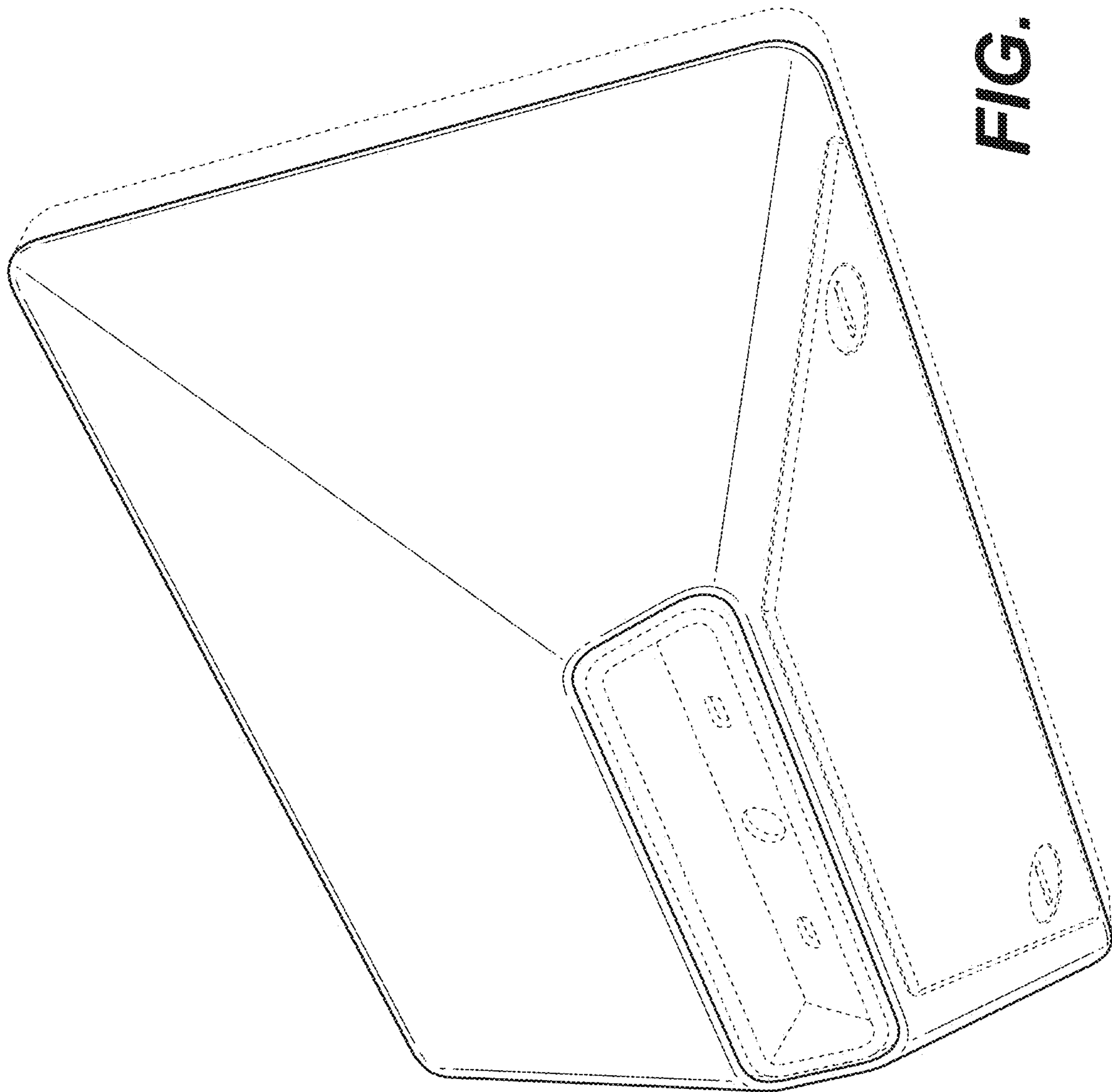
OTHER PUBLICATIONS

Indian Office Action dated Jun. 22, 2018 for Indian Design Application No. 305391, a counterpart foreign application of Design U.S. Appl. No. 29/626,976, 11 pages.  
 Korean Office Action dated Nov. 8, 2018, for Korean Design Application No. 30-2018-20168, a counterpart foreign design application of the Design U.S. Appl. No. 29/626,976.

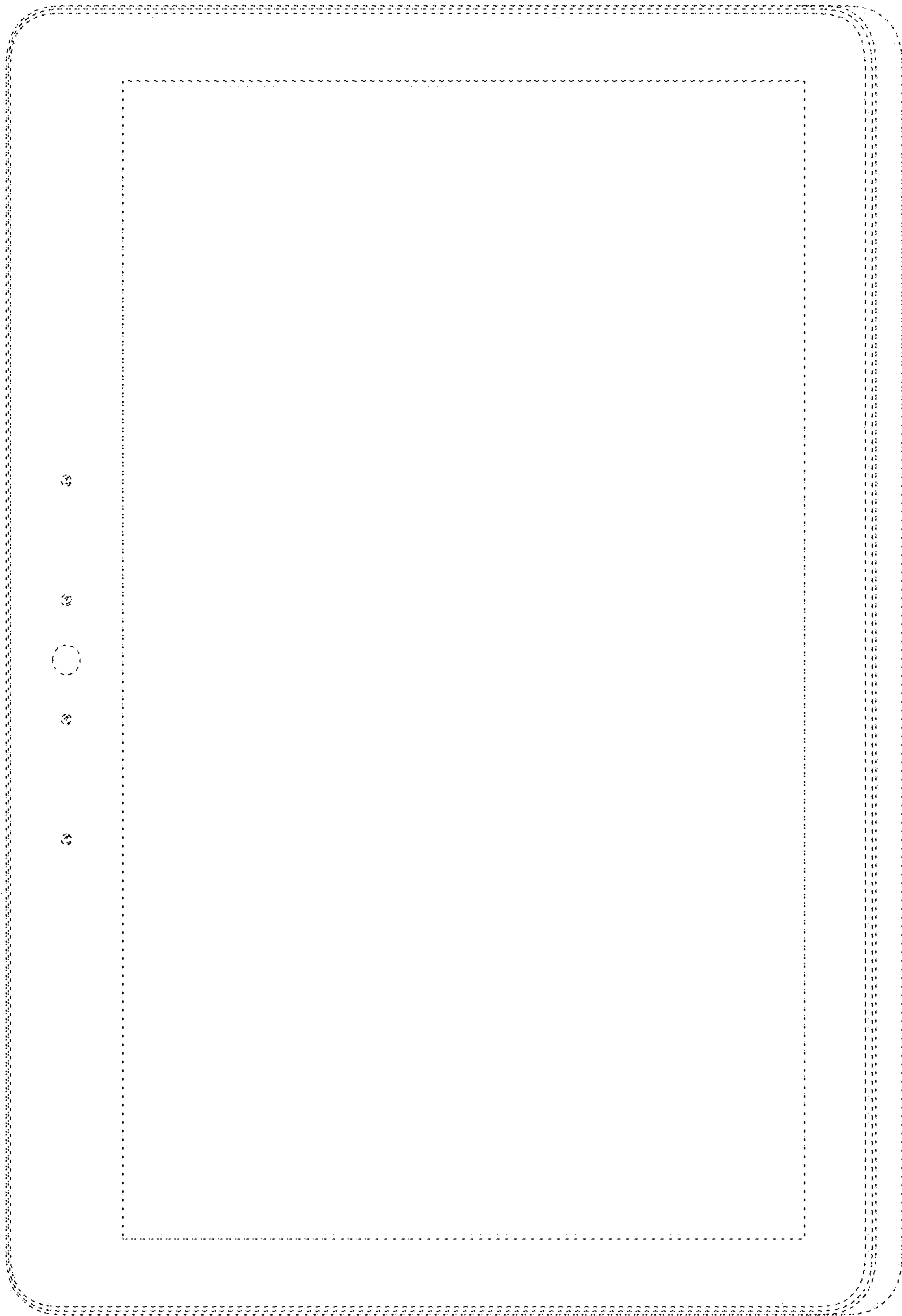
\* cited by examiner



**FIG. 1**

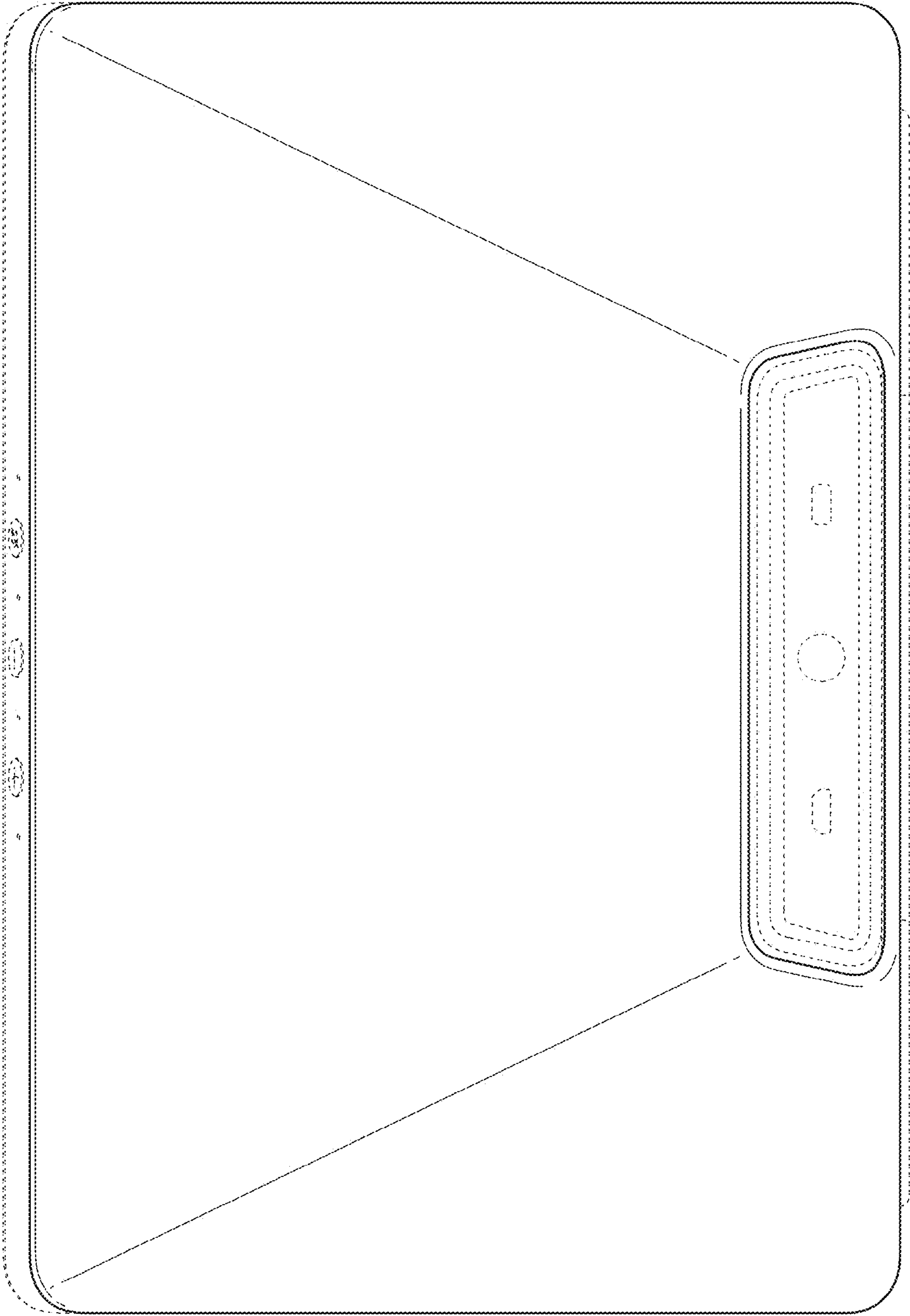


**FIG. 2**

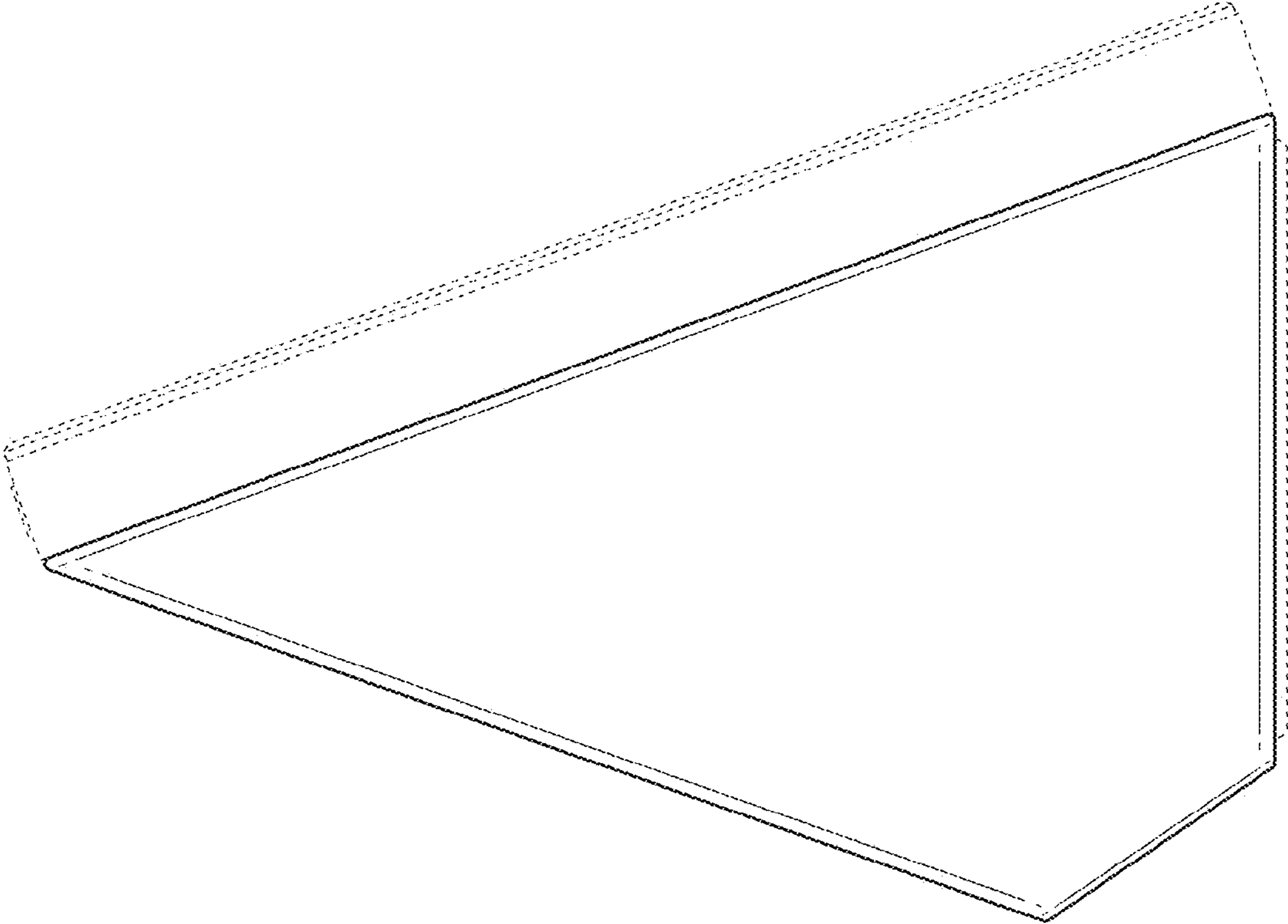


**FIG. 3**

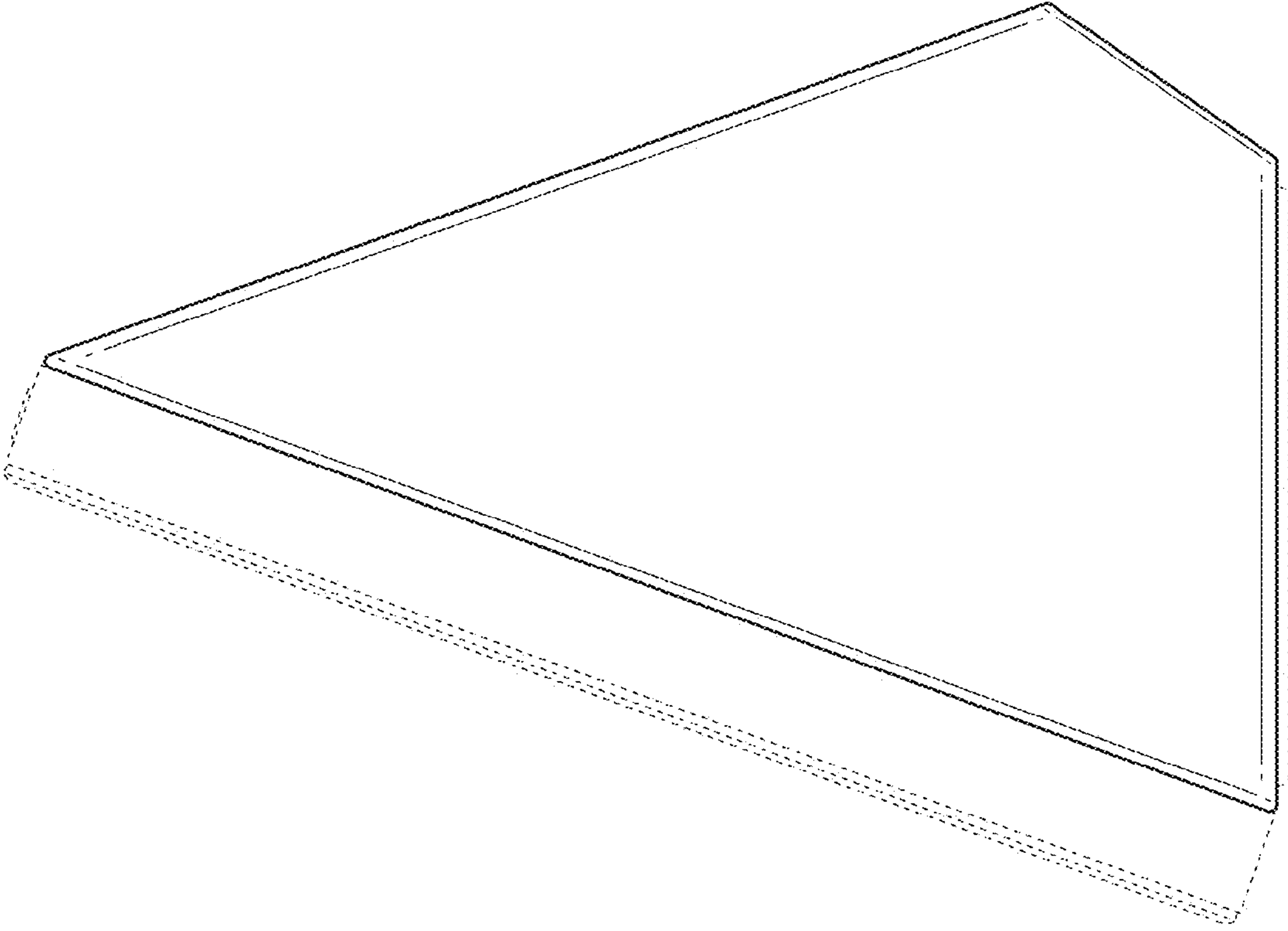




**FIG. 4**

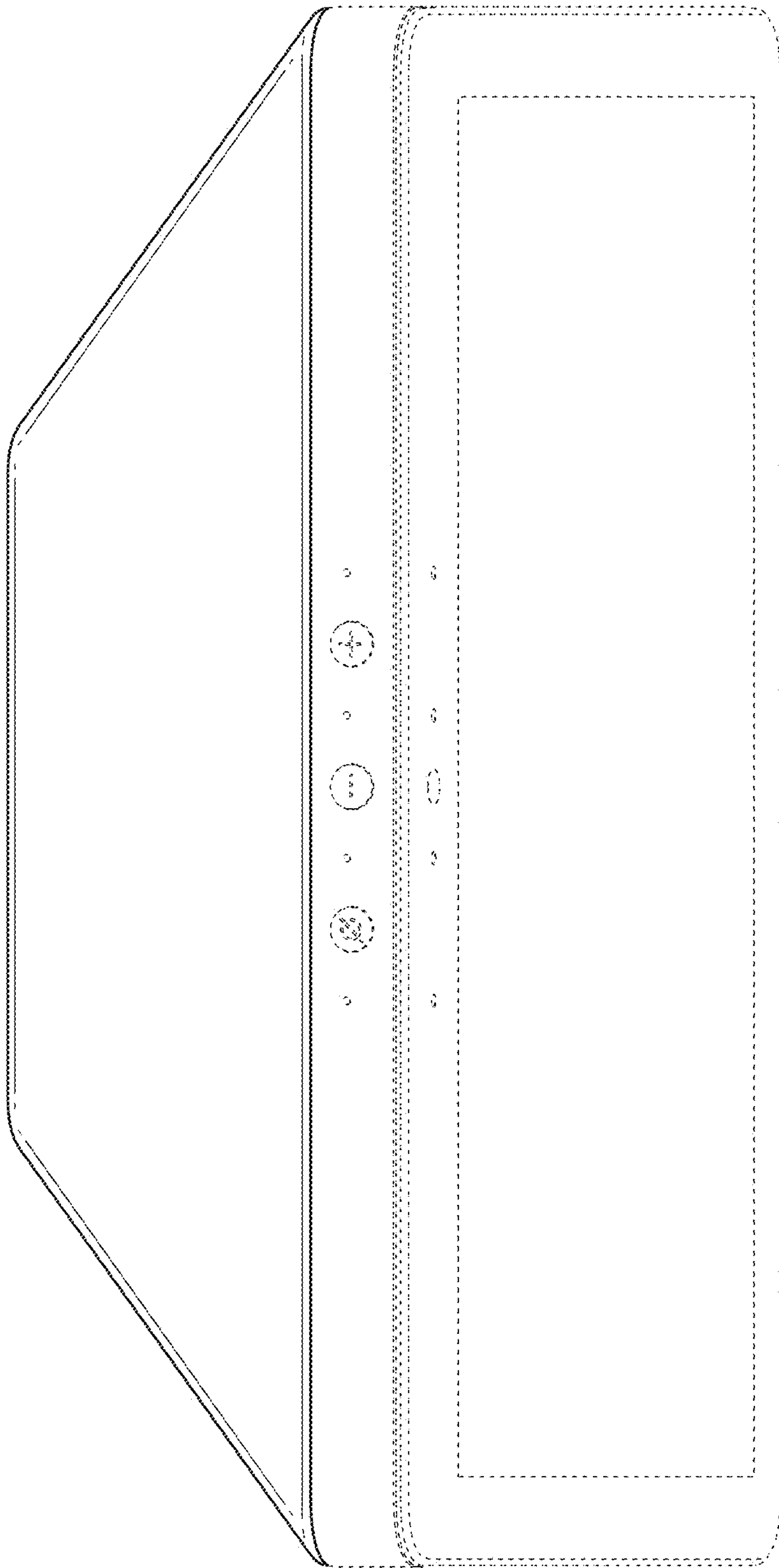


**FIG. 5**

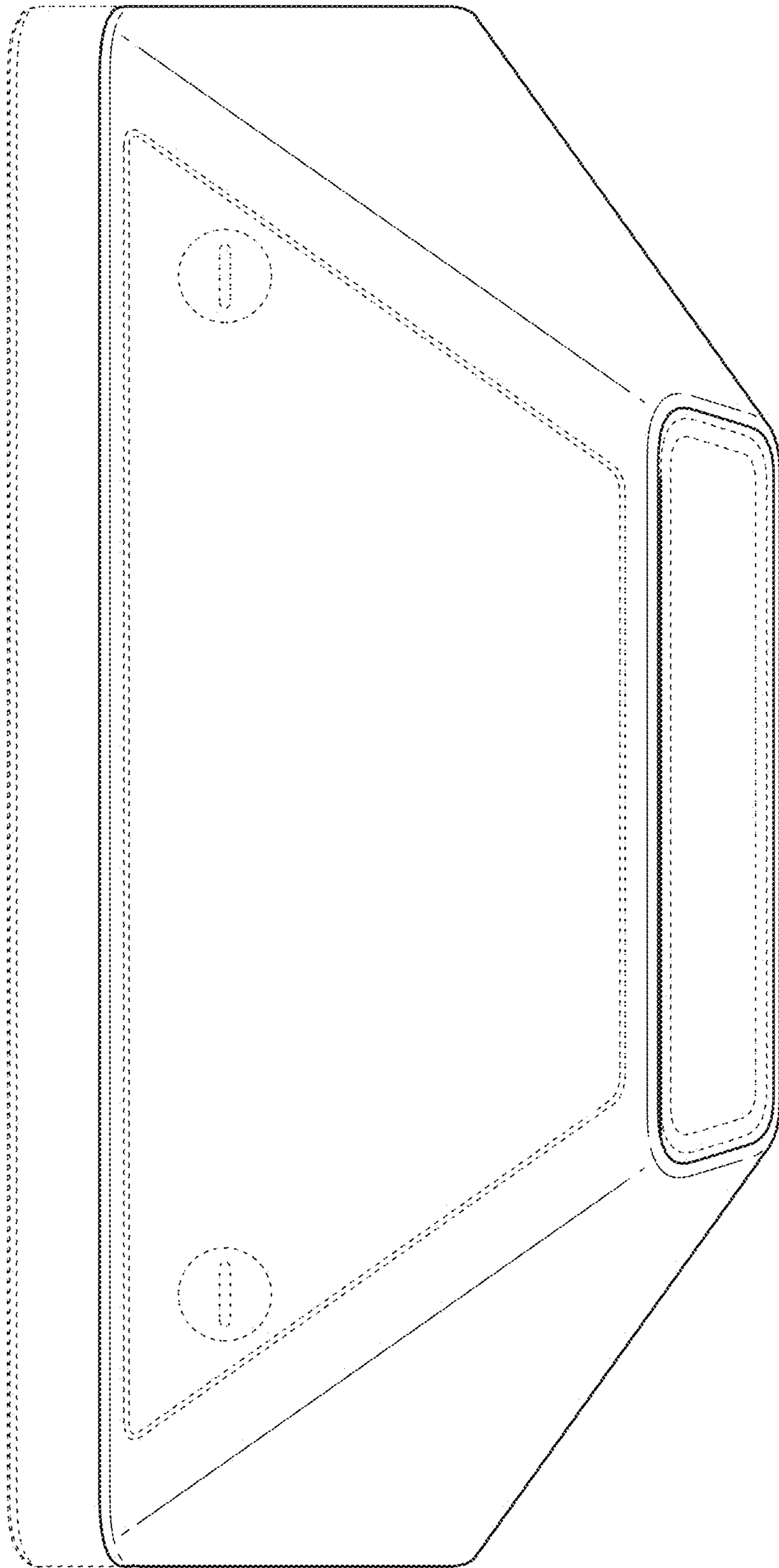


**FIG. 6**





**FIG. 7**



**FIG. 8**