



US00D924877S

(12) **United States Design Patent** (10) **Patent No.:** **US D924,877 S**  
**Weng** (45) **Date of Patent:** **\*\* Jul. 13, 2021**

(54) **PROTECTIVE CASE FOR TABLET**

(71) Applicant: **SHENZHEN GUANGYIPENG TECHNOLOGY CO., LTD.**, Shenzhen (CN)

(72) Inventor: **Jie Weng**, Shenzhen (CN)

(73) Assignee: **SHENZHEN GUANGYIPENG TECHNOLOGY CO., LTD.**, Shenzhen (CN)

(\*\*) Term: **15 Years**

(21) Appl. No.: **29/757,487**

(22) Filed: **Nov. 6, 2020**

(51) **LOC (13) Cl.** ..... **14-03**

(52) **U.S. Cl.**  
USPC ..... **D14/440; D3/294**

(58) **Field of Classification Search**  
USPC ..... D3/201, 262, 273, 274, 276, 281, 283, D3/294, 900, 901, 903, 905; D14/440  
CPC ..... A47C 7/62; A47C 1/14  
See application file for complete search history.

(56) **References Cited**

**U.S. PATENT DOCUMENTS**

D733,154 S *	6/2015	Armstrong	.....	D14/440
D763,853 S *	8/2016	Pearce	.....	D14/440
D765,085 S *	8/2016	Moore	.....	D14/440
D790,550 S *	6/2017	Chen	.....	D14/440
D806,080 S *	12/2017	Chen	.....	D14/440
D807,369 S *	1/2018	Chen	.....	D14/440
D808,973 S *	1/2018	Chen	.....	D14/440
D811,412 S *	2/2018	McCurdy	.....	D14/440
D831,030 S *	10/2018	Gao	.....	D14/440
D831,659 S *	10/2018	Gao	.....	D14/440
D851,648 S *	6/2019	Tan	.....	D14/440

D851,649 S *	6/2019	Tan	.....	D14/440
D868,790 S *	12/2019	Weng	.....	D14/440
D868,791 S	12/2019	Weng	.....	
D881,894 S	4/2020	Zhang	.....	
D895,287 S *	9/2020	Hyun	.....	D3/302
D895,288 S *	9/2020	Hyun	.....	D3/302
D904,765 S *	12/2020	Hyun	.....	D3/302
D906,338 S *	12/2020	Hyun	.....	D14/440
D906,339 S *	12/2020	Hyun	.....	D14/440
D911,350 S *	2/2021	Li	.....	D14/440

\* cited by examiner

*Primary Examiner* — Holly E Thurman

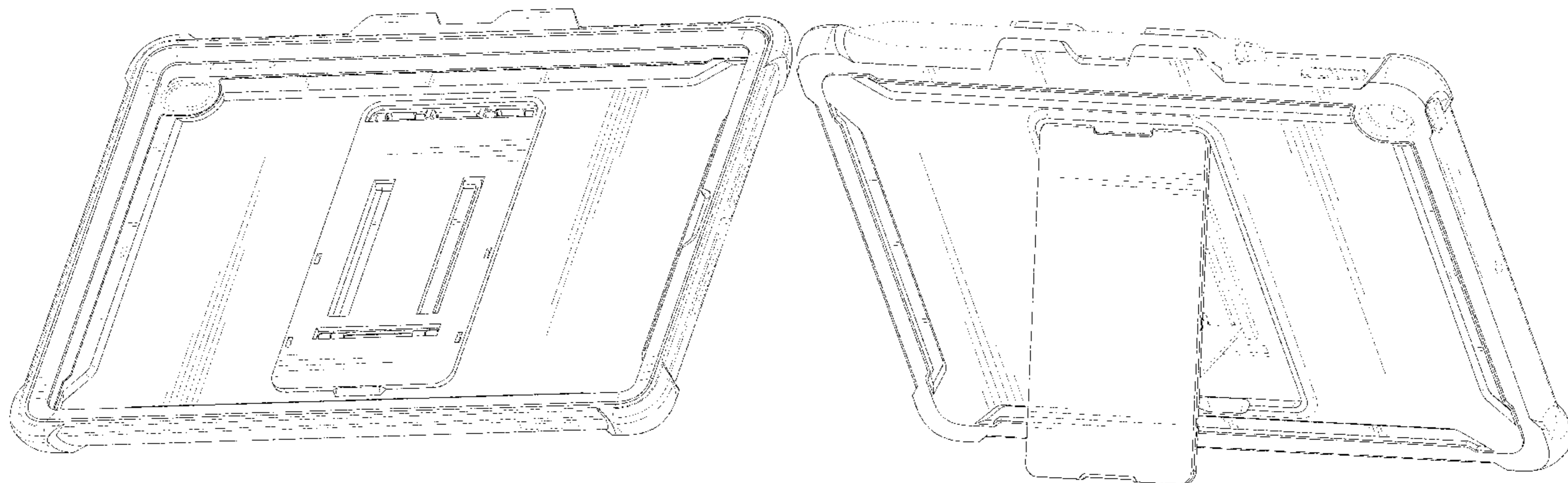
(57) **CLAIM**

The ornamental design for a protective case for tablet, as shown and described.

**DESCRIPTION**

FIG. 1 is a perspective view of a protective case for tablet showing my new design;  
 FIG. 2 is another perspective view thereof;  
 FIG. 3 is a front elevational view thereof;  
 FIG. 4 is a rear elevational view thereof;  
 FIG. 5 is a left side elevational view thereof;  
 FIG. 6 is a right side elevational view thereof;  
 FIG. 7 is a top plan view thereof;  
 FIG. 8 is a bottom plan view thereof;  
 FIG. 9 is a perspective view of the protective case for tablet where a tablet is accommodated in the protective case for tablet; and,  
 FIG. 10 is a perspective view of the protective case for tablet where a kickstand of the protective case for tablet is in an open state.  
 The broken lines in the drawings depict portions of the protective case for tablet that form no part of the claimed design.

**1 Claim, 10 Drawing Sheets**



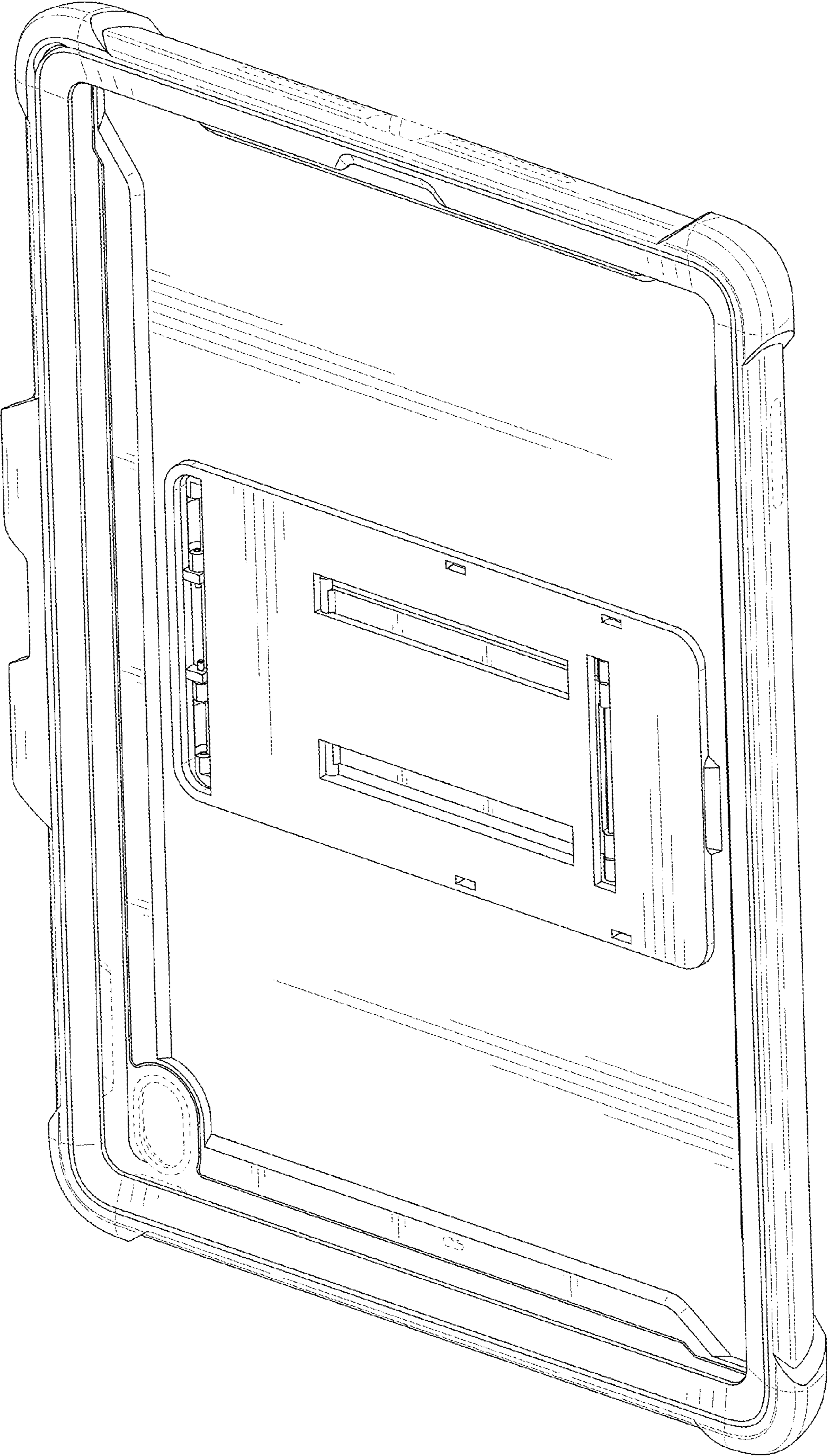


FIG. 1

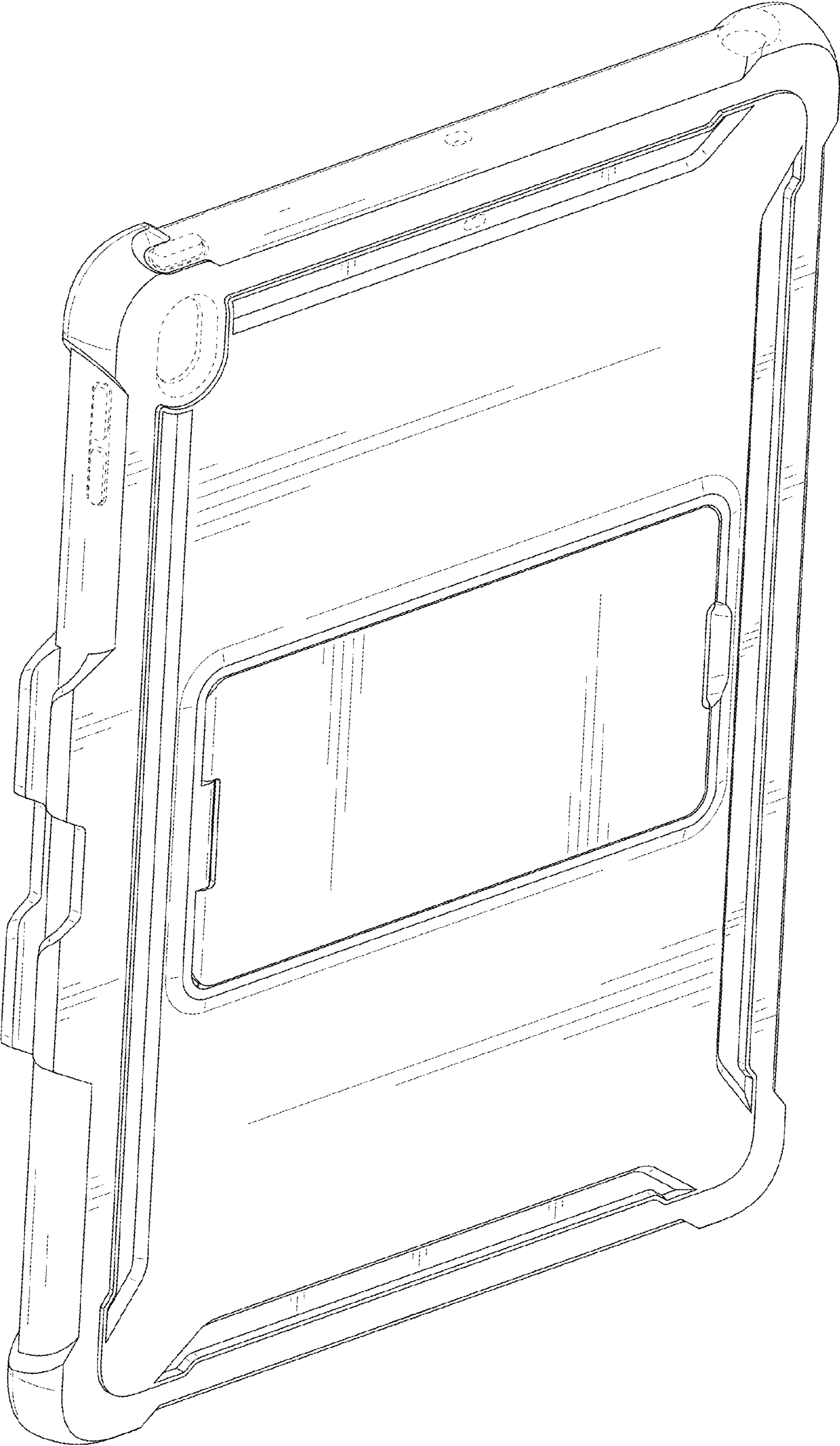


FIG. 2

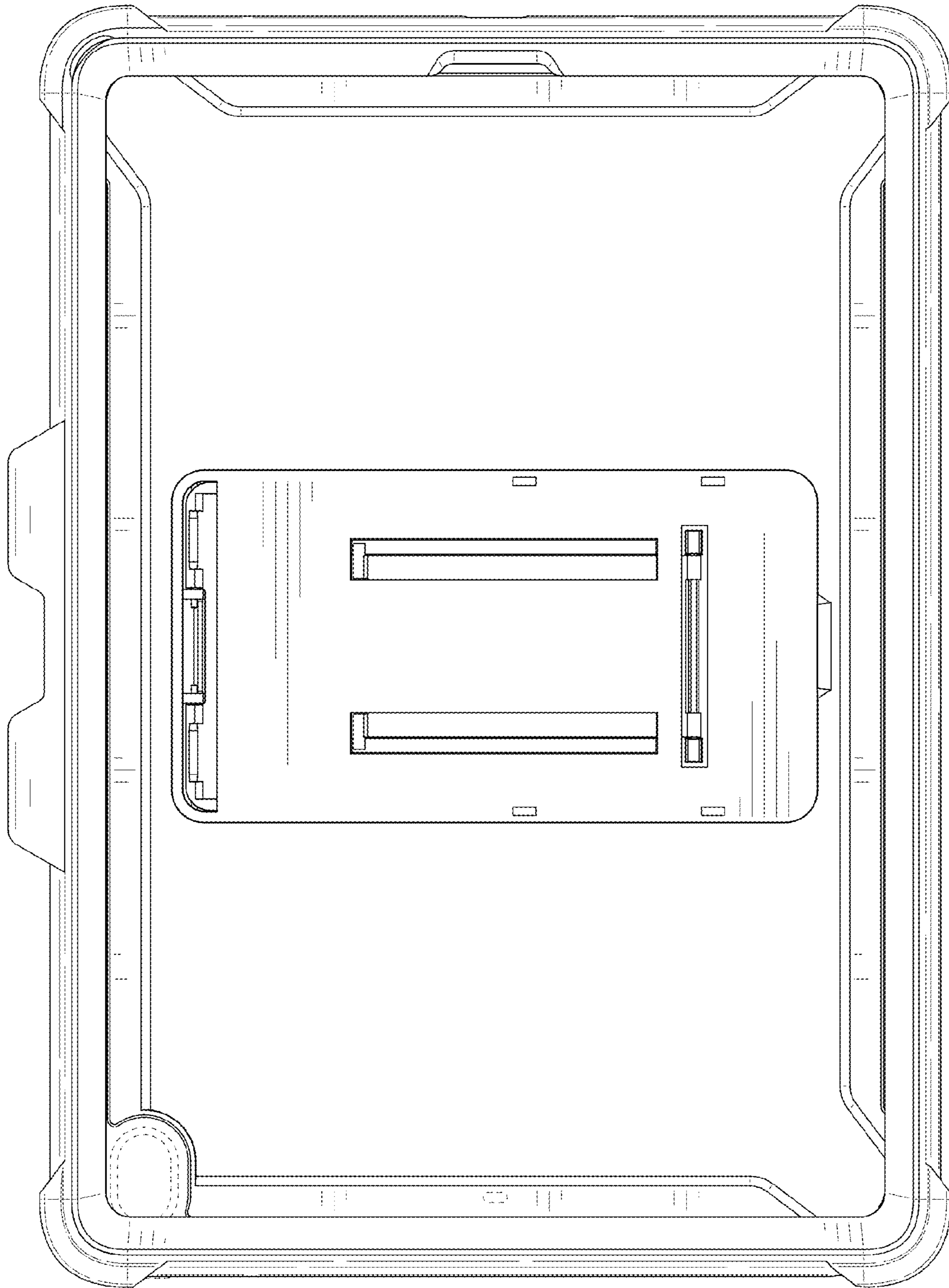


FIG. 3

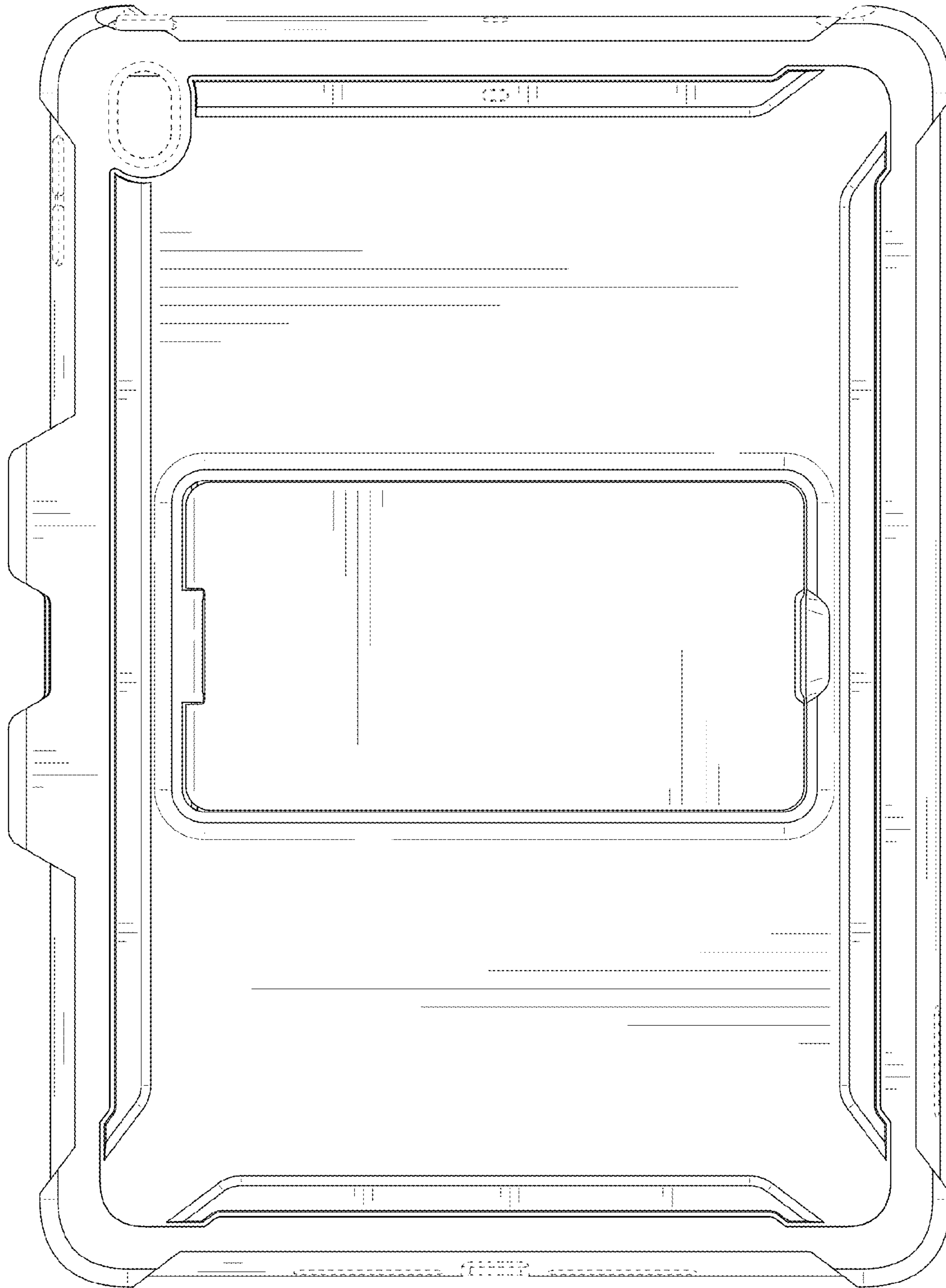


FIG. 4

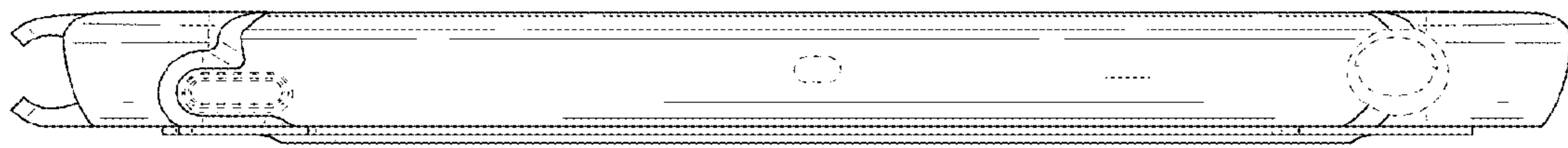


FIG. 5

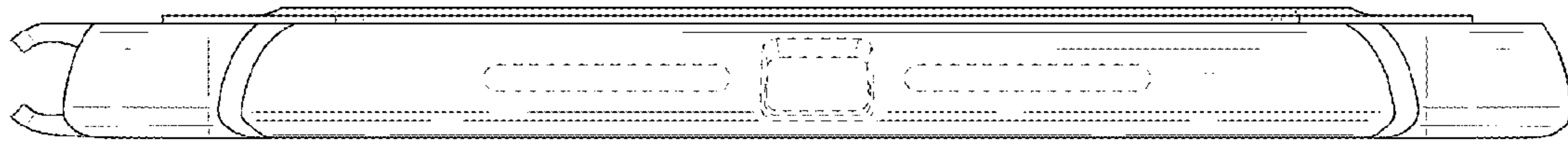


FIG. 6

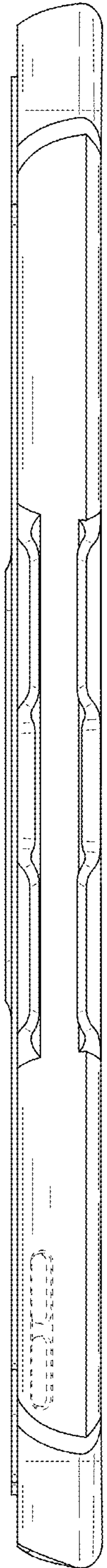


FIG. 7



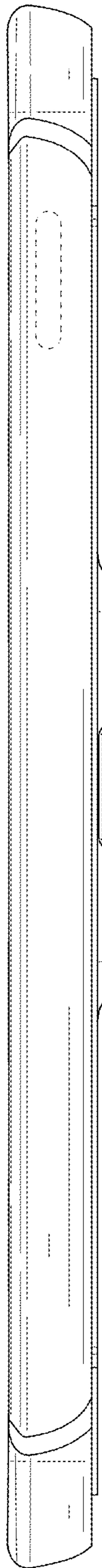


FIG. 8

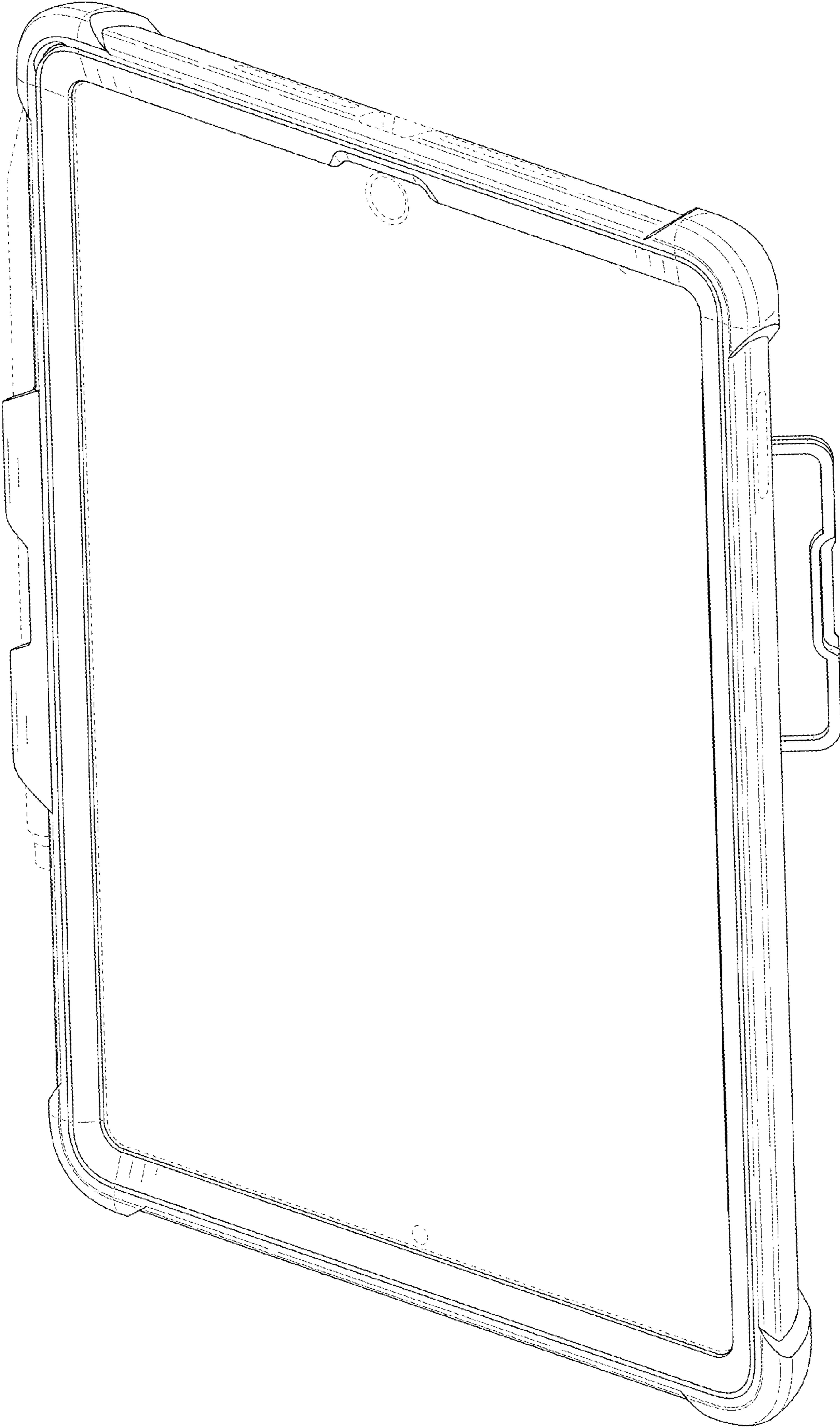


FIG. 9

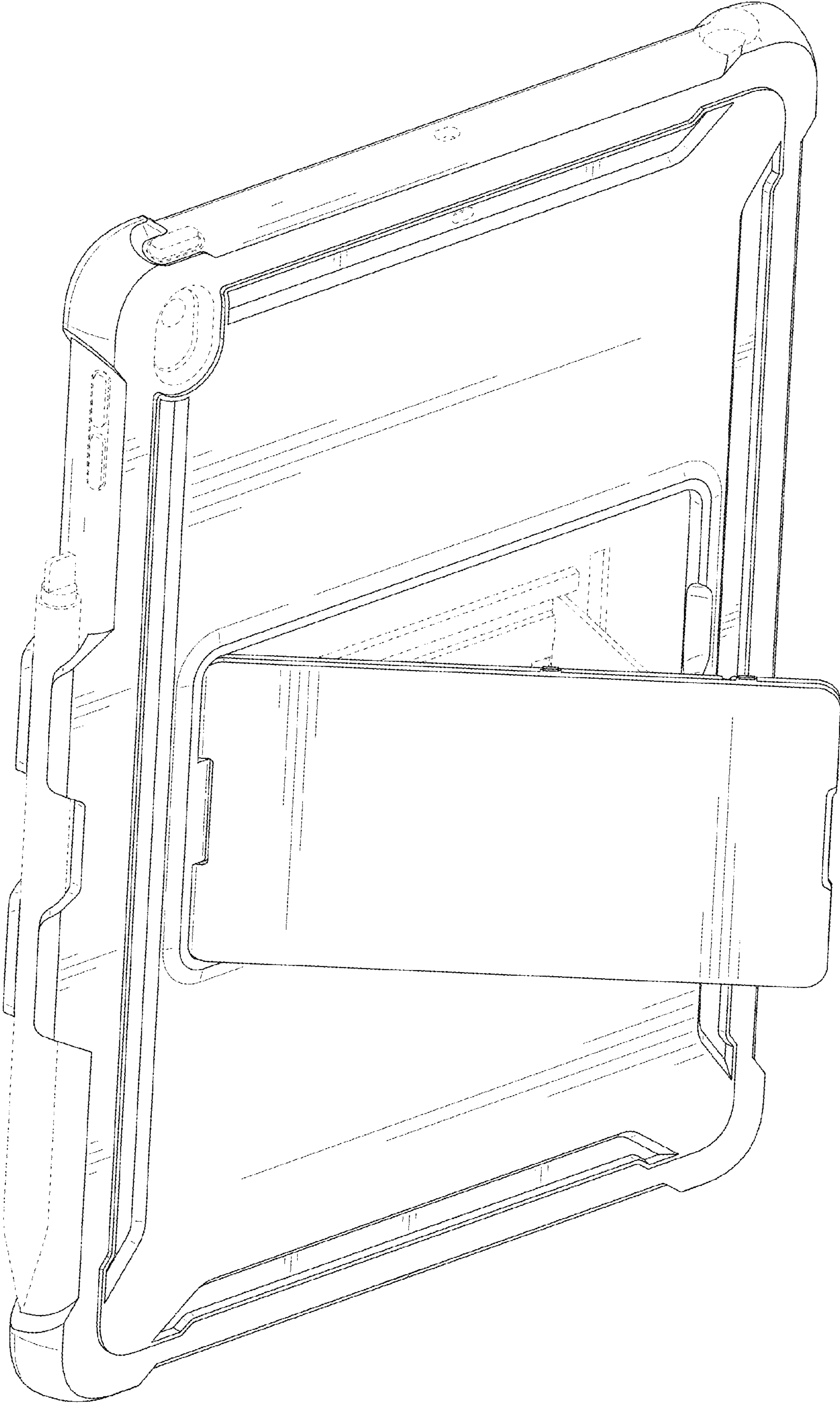


FIG. 10