



US00D924876S

(12) **United States Design Patent** (10) **Patent No.:** **US D924,876 S**
Chan et al. (45) **Date of Patent:** **** Jul. 13, 2021**

(54) **CASE FOR TABLET AND KEYBOARD**

(71) Applicant: **Pioneer Square Brands, Inc.**, Seattle, WA (US)

(72) Inventors: **Jaimie Emerald Chan**, Renton, WA (US); **Michael Cooper Ferren**, Camas, WA (US); **Brian Lewis Piper**, Seattle, WA (US)

(73) Assignee: **PIONEER SQUARE BRANDS, INC.**, Mclean, VA (US)

(**) Term: **15 Years**

(21) Appl. No.: **29/751,859**

(22) Filed: **Sep. 23, 2020**

(51) **LOC (13) Cl.** **14-02**

(52) **U.S. Cl.**
USPC **D14/440; D14/316**

(58) **Field of Classification Search**
USPC D14/440, 447, 250; 206/45.23, 320, 206/45.2; 361/679.55; 294/25; 224/218
CPC ... G06F 1/1628; G06F 1/1626; A47B 23/044; H04B 1/3888
See application file for complete search history.

(56) **References Cited**

U.S. PATENT DOCUMENTS

| | | |
|------------|---------|-----------------|
| D675,625 S | 2/2013 | Hazbrook et al. |
| D675,626 S | 2/2013 | Williamson |
| D679,277 S | 4/2013 | Probst et al. |
| D692,432 S | 10/2013 | Liu et al. |
| D693,822 S | 11/2013 | Bates et al. |
| D694,246 S | 11/2013 | Park et al. |
| D703,672 S | 4/2014 | Kim et al. |
| D712,413 S | 9/2014 | Fukai |
| D714,790 S | 10/2014 | Probst et al. |
| D716,311 S | 10/2014 | Bates et al. |
| D719,169 S | 12/2014 | McBroom |

| | | |
|--------------|---------|---------------------|
| D722,602 S | 2/2015 | Schoenith et al. |
| D737,826 S | 9/2015 | Sauvage et al. |
| D744,492 S | 12/2015 | Lin |
| D753,123 S | 4/2016 | Probst et al. |
| D764,473 S | 8/2016 | Ahee et al. |
| D770,457 S | 11/2016 | Massucco et al. |
| D771,053 S | 11/2016 | Spollen et al. |
| D772,880 S | 11/2016 | Corcoran et al. |
| D795,879 S | 8/2017 | Hunter |
| D799,491 S | 10/2017 | Barnard et al. |
| D807,363 S | 1/2018 | Hallier |
| D807,365 S | 1/2018 | Liu |
| D807,892 S | 1/2018 | Wang |
| D808,394 S | 1/2018 | Lakraa et al. |
| D817,962 S | 5/2018 | Shao et al. |
| D829,721 S * | 10/2018 | Zhang D14/440 |
| D832,852 S | 11/2018 | Jinkinson et al. |
| D832,853 S | 11/2018 | Jinkinson et al. |
| D837,792 S | 1/2019 | Kim et al. |
| D851,649 S * | 6/2019 | Tan D14/440 |

(Continued)

Primary Examiner — Cynthia R Underwood
(74) *Attorney, Agent, or Firm* — Grandview Law

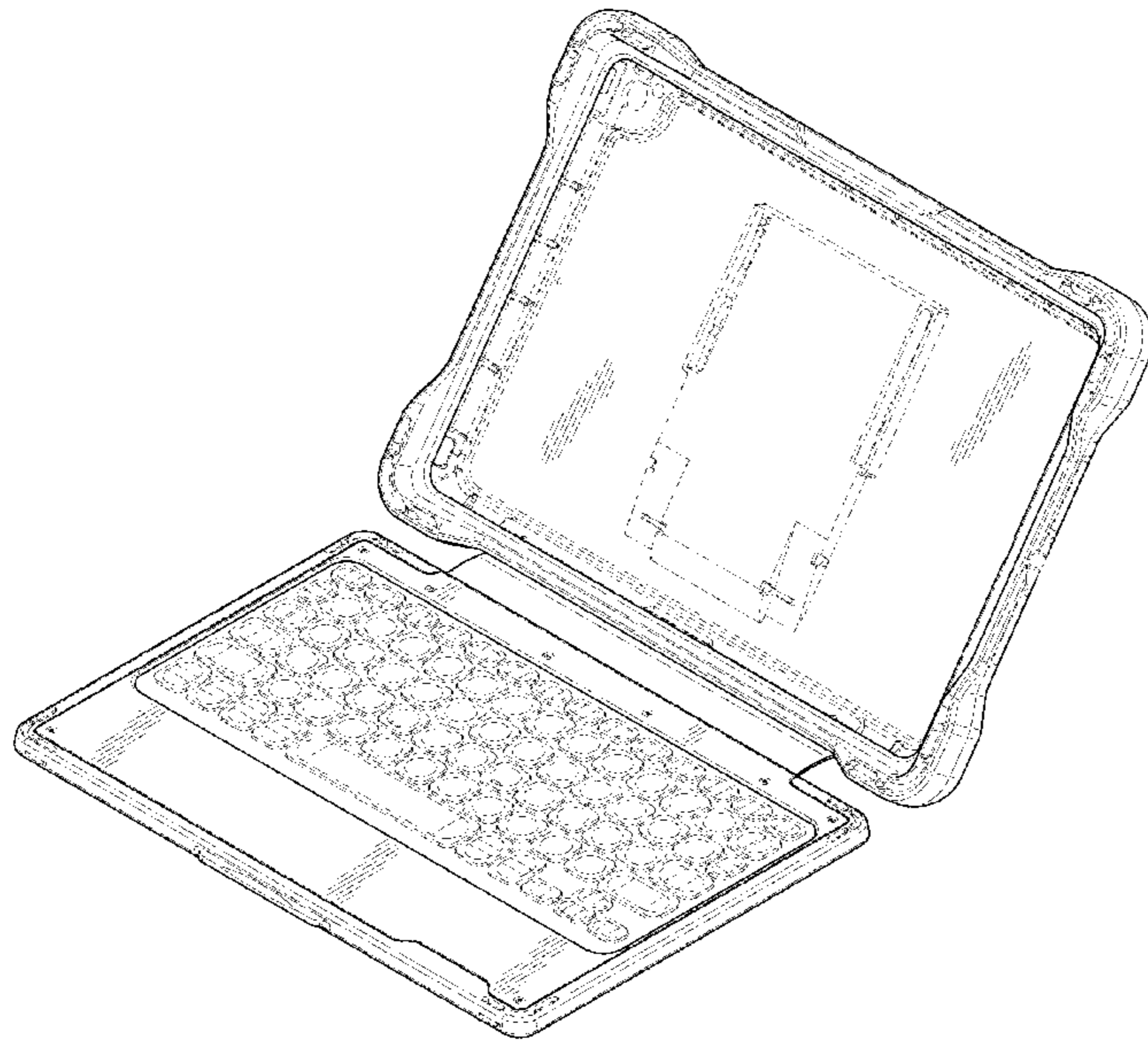
(57) **CLAIM**

The ornamental design for a case for tablet and keyboard, as shown and described.

DESCRIPTION

FIG. 1 is a front perspective view of a case for tablet and keyboard showing our new design.
FIG. 2 is a rear perspective view thereof.
FIG. 3 is a front elevational view thereof.
FIG. 4 is a rear elevational view thereof.
FIG. 5 is a right side elevational view thereof.
FIG. 6 is a left side elevational view thereof.
FIG. 7 is a top plan view thereof; and,
FIG. 8 is a bottom plan view thereof.
The features shown in broken lines in the drawing figures depict features that form no part of the claimed design.

1 Claim, 8 Drawing Sheets



(56)

References Cited

U.S. PATENT DOCUMENTS

D854,024 S 7/2019 Fenton et al.
D861,001 S * 9/2019 Fenton D14/440
D844,611 S 11/2019 Ferren et al.
10,466,807 B1 11/2019 Ferren et al.
D868,788 S 12/2019 Weng
D872,093 S 1/2020 Xu
D874,467 S * 2/2020 Piper D14/440
D880,485 S 4/2020 Zhu
D883,986 S 5/2020 Akana et al.
D885,399 S 5/2020 Chen
D885,403 S 5/2020 Ma
D886,108 S 6/2020 Zhu
D887,416 S 6/2020 Wu
D888,062 S 6/2020 Piper et al.
10,700,483 B1 * 6/2020 Piper G06F 1/1632
D890,184 S 7/2020 Zhu
D892,128 S 8/2020 Chen
D895,630 S * 9/2020 Piper D14/440
D905,697 S * 12/2020 Chen D14/440
D910,644 S * 2/2021 Li D14/440
D913,295 S * 3/2021 Piper D14/440

* cited by examiner

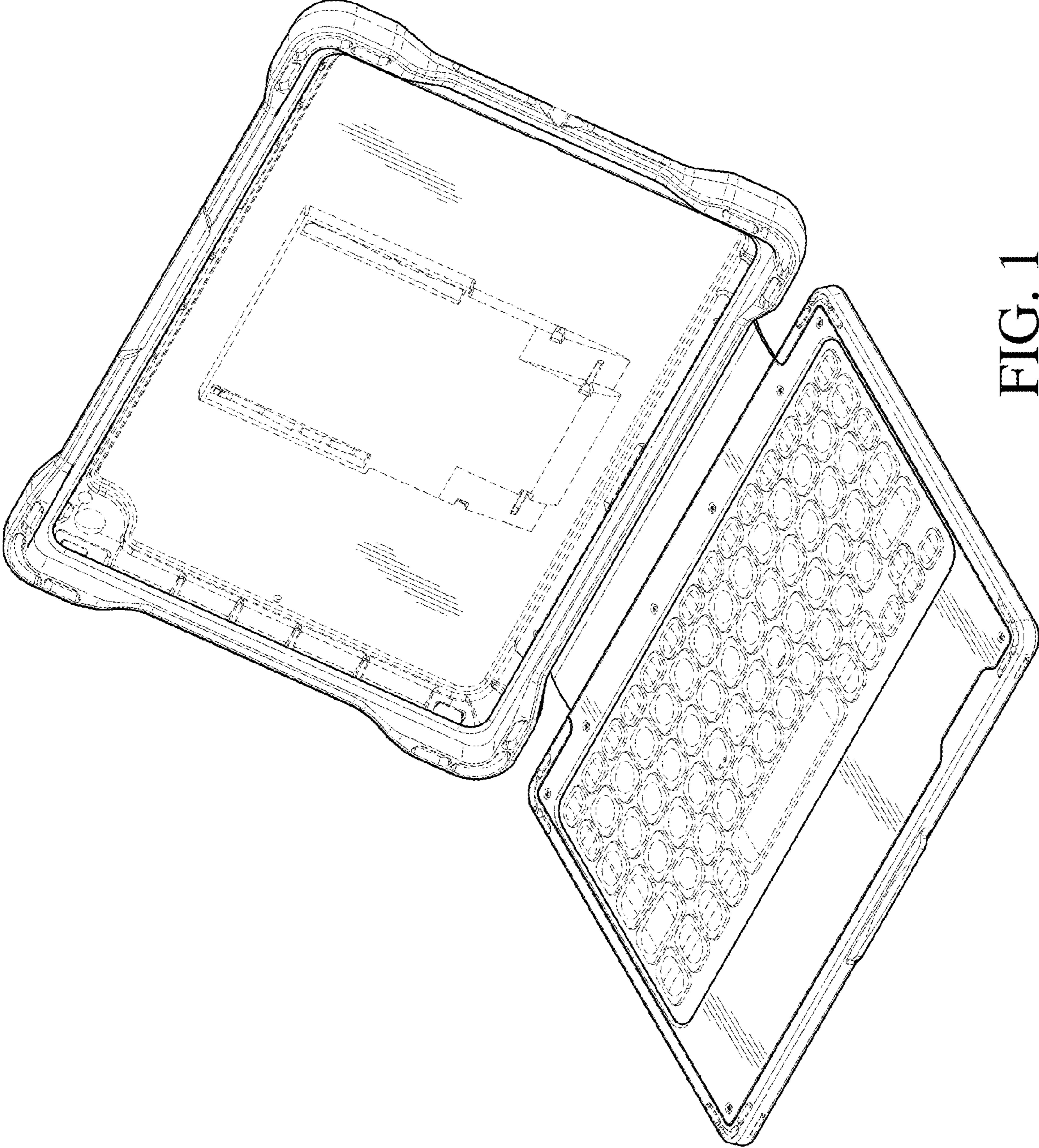


FIG. 1

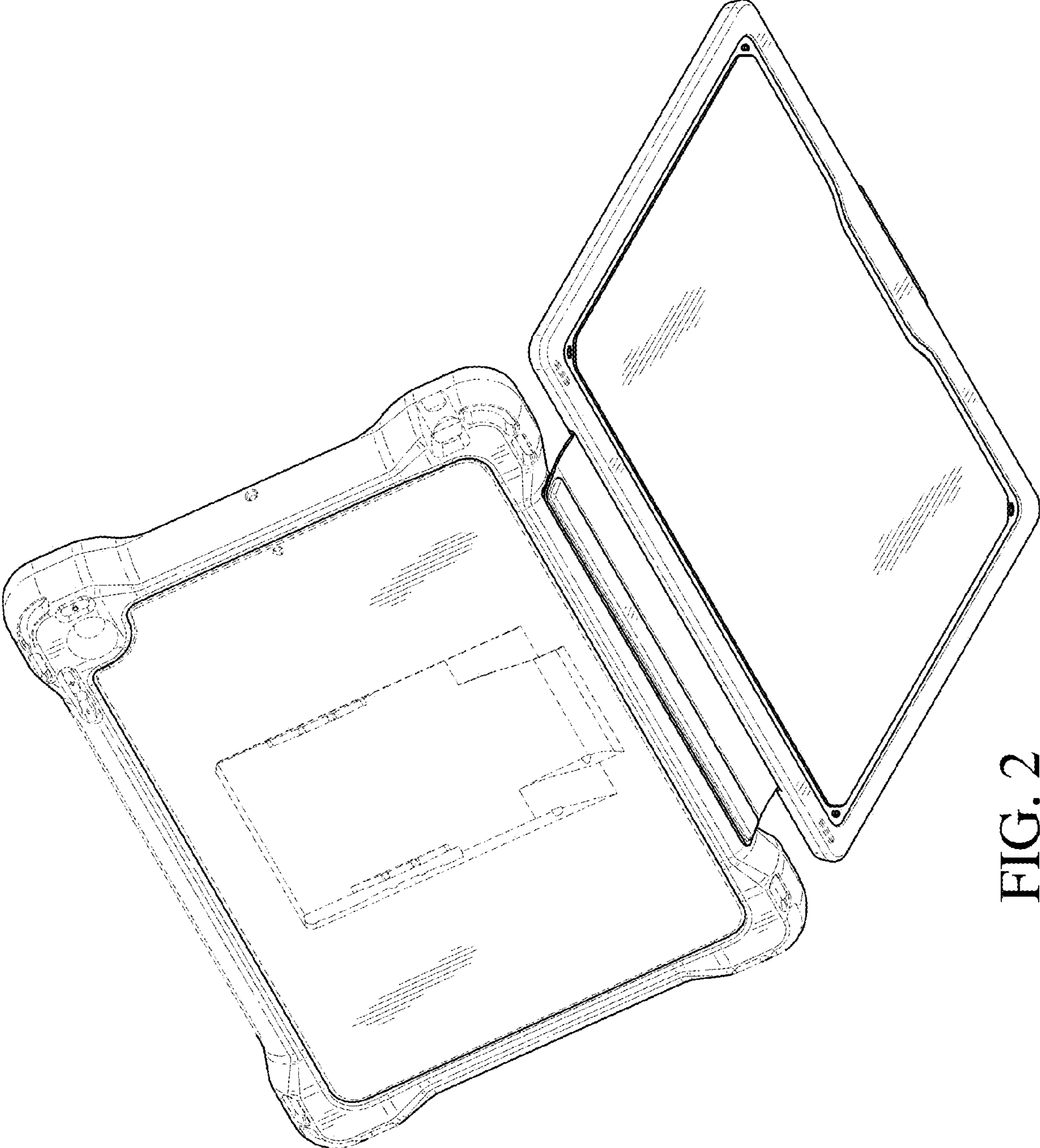


FIG. 2

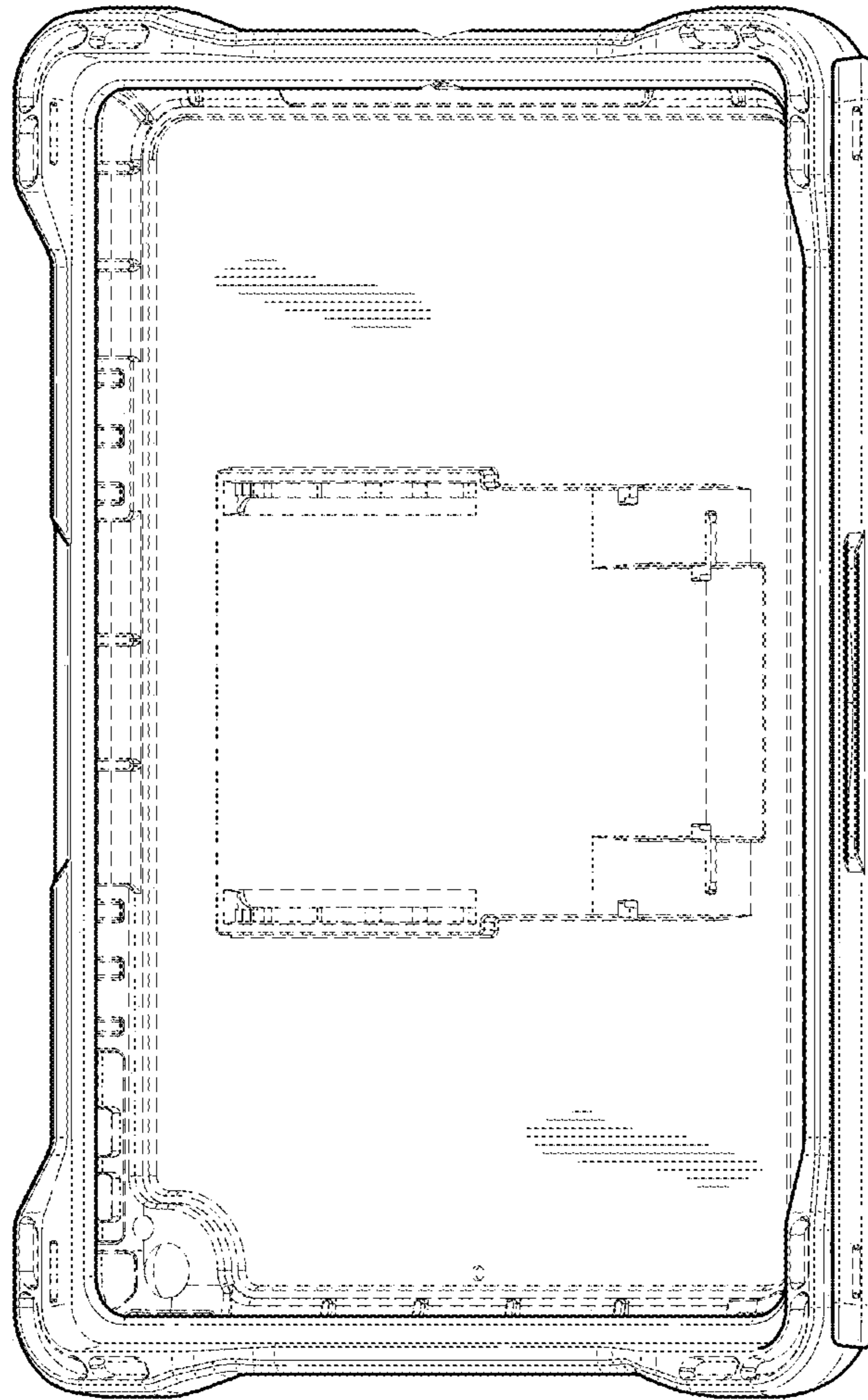


FIG. 3

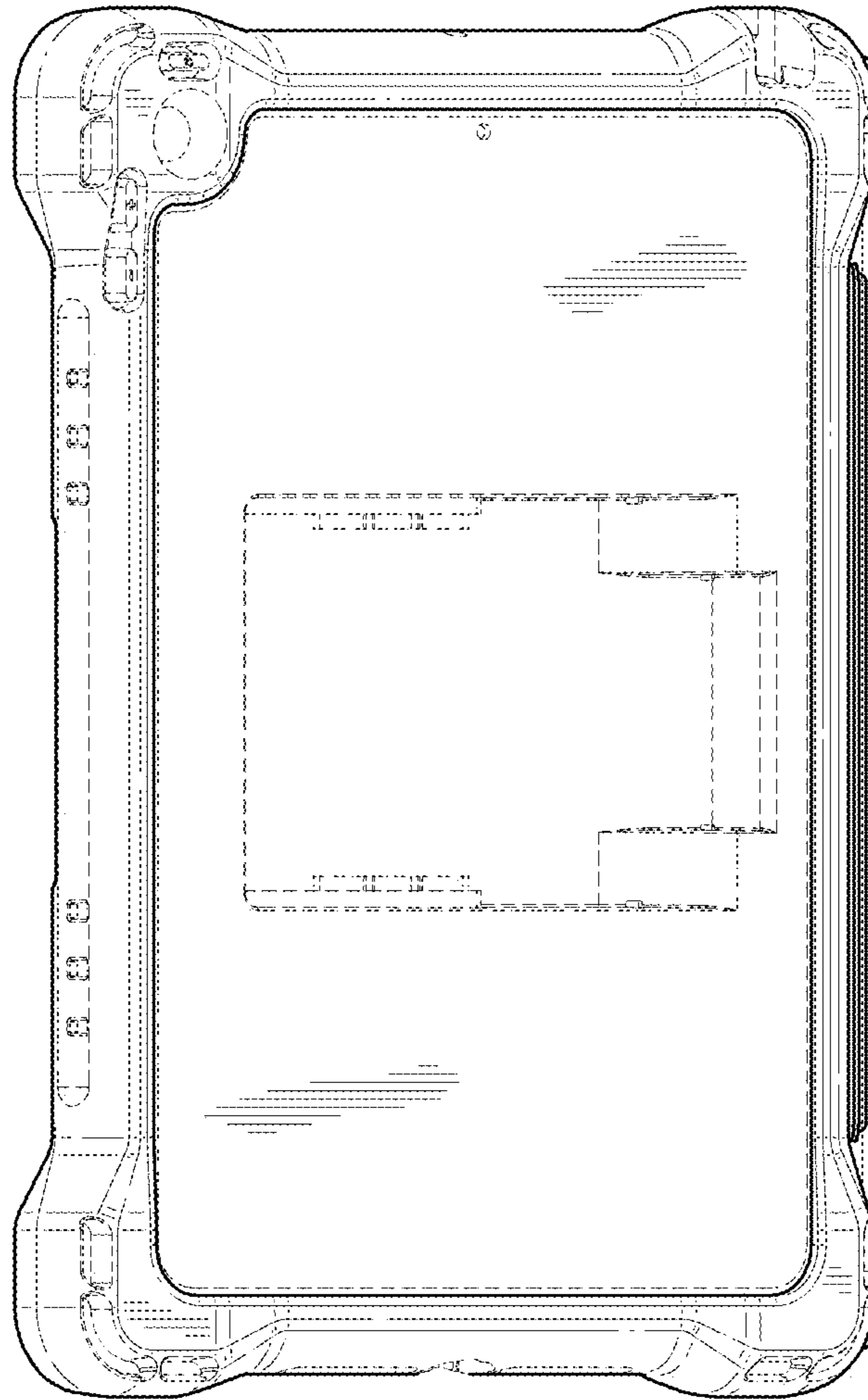


FIG. 4

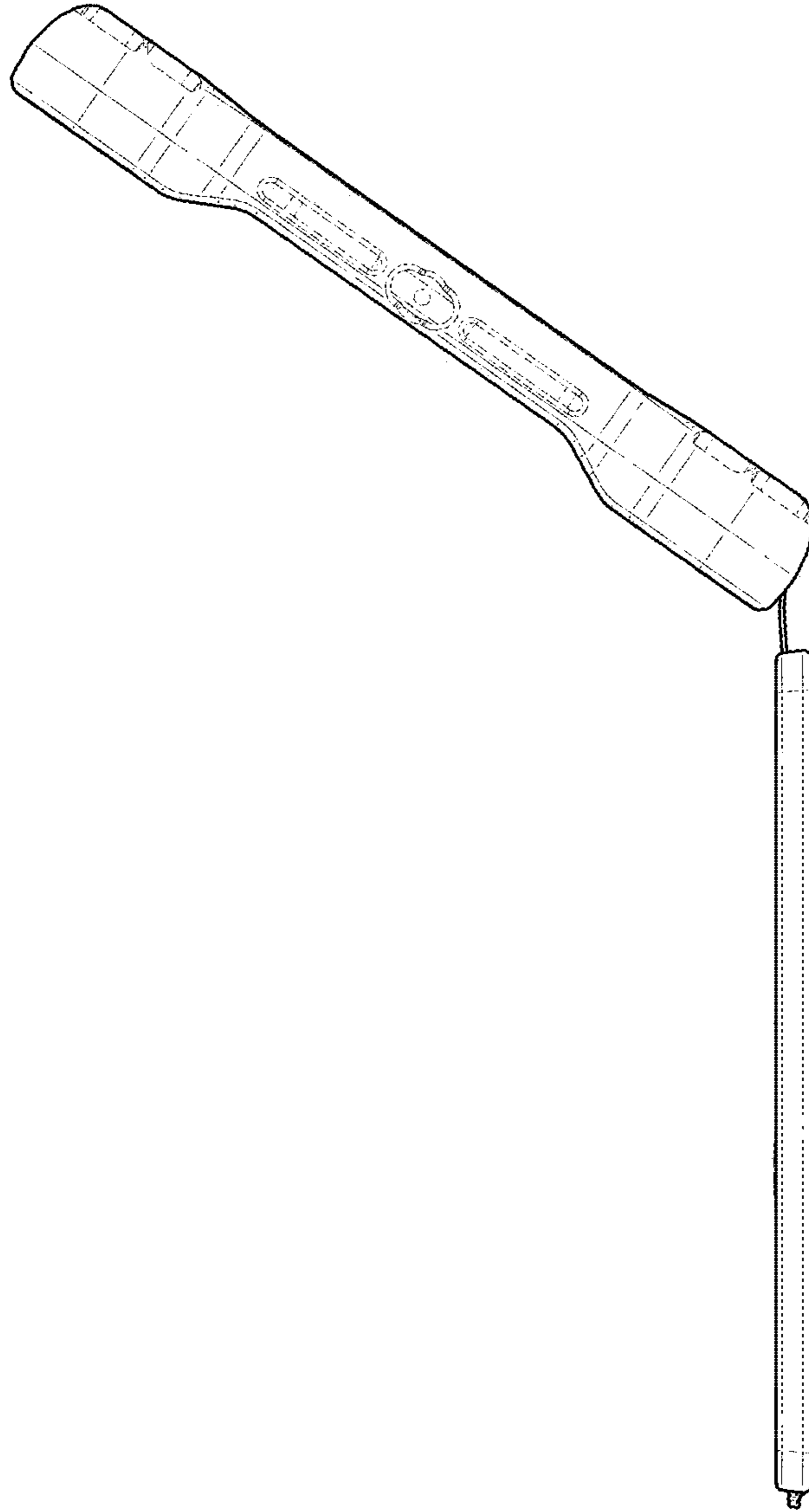


FIG. 5

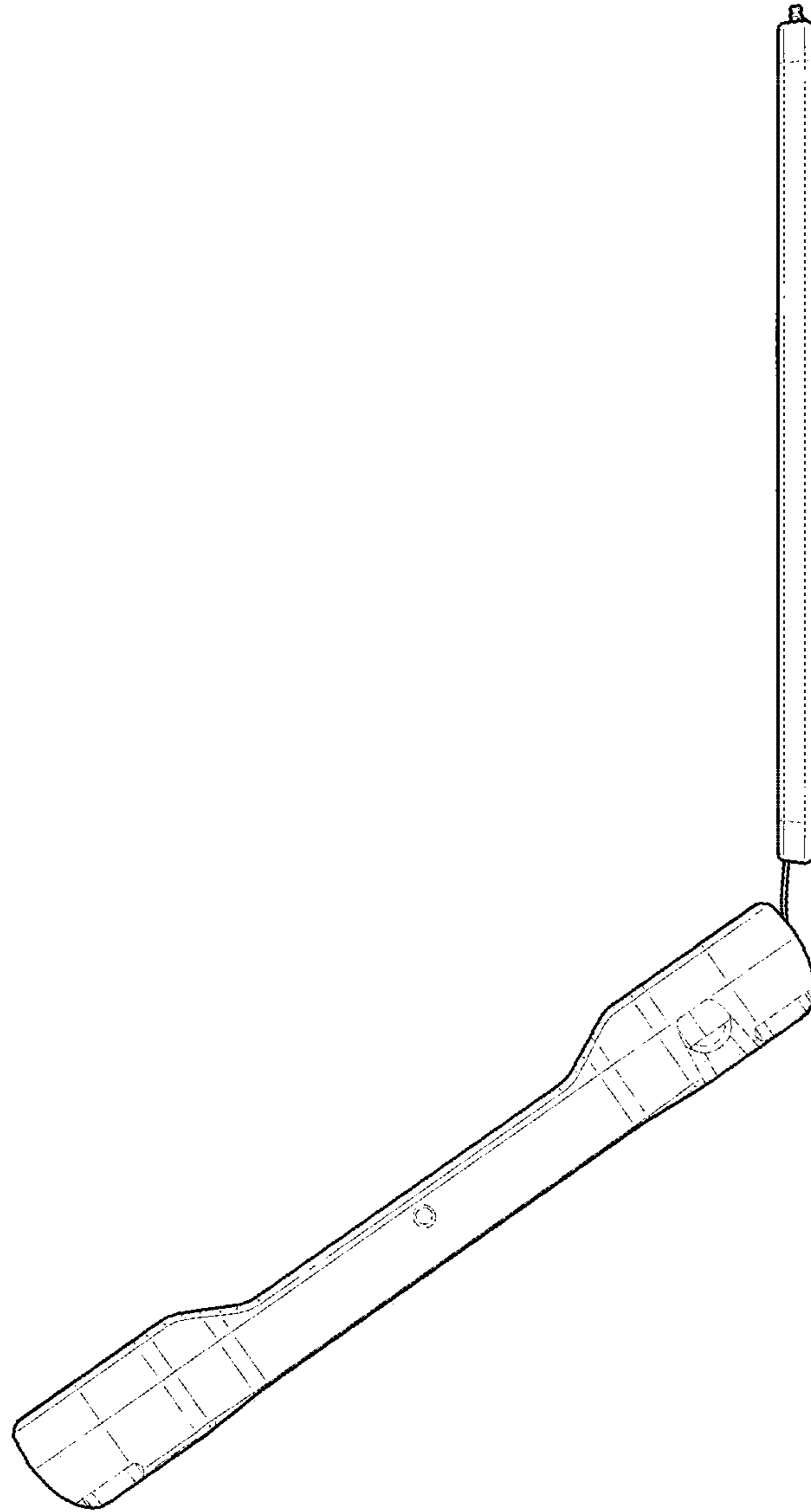


FIG. 6

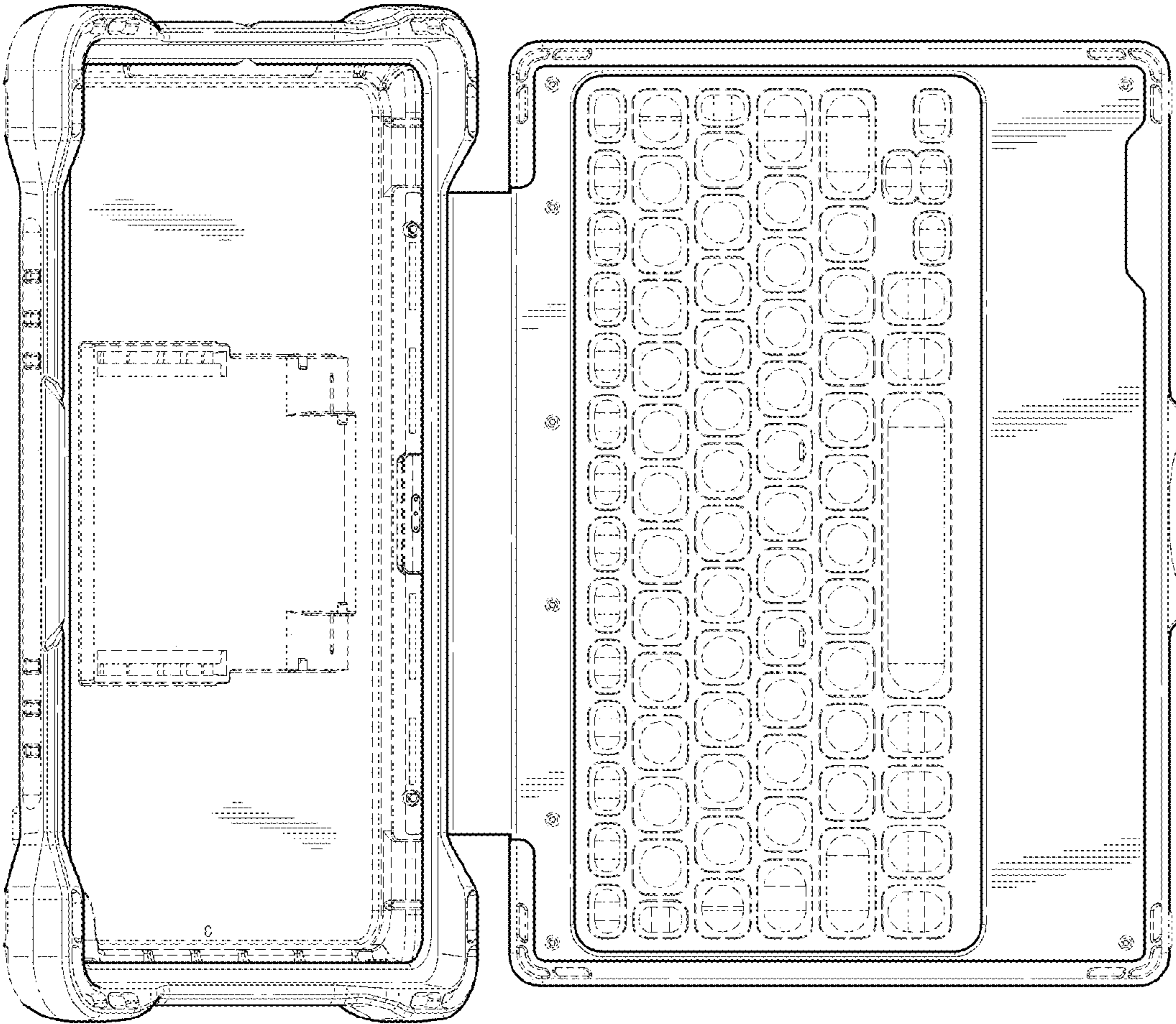


FIG. 7

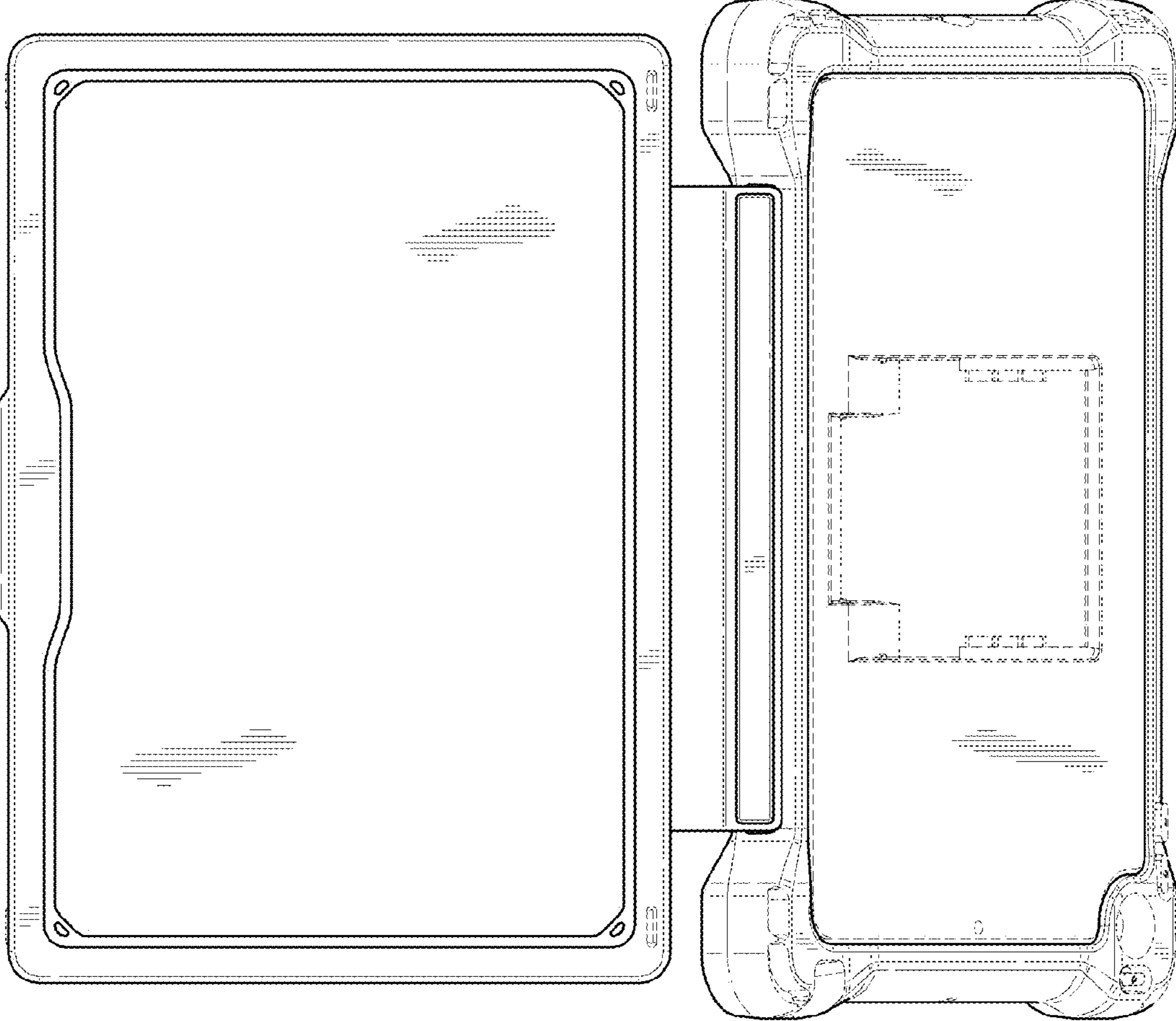


FIG. 8