



US00D924874S

(12) **United States Design Patent**
Yang et al.

(10) **Patent No.:** **US D924,874 S**
(45) **Date of Patent:** **** Jul. 13, 2021**

(54) **MULTIPOINT HUB**

(71) Applicant: **Shenzhen Velocity Technology Innovations Co., Ltd., Shenzhen (CN)**

(72) Inventors: **Jiahao Yang, Shenzhen (CN); Zhiqiang Gong, Shenzhen (CN)**

(73) Assignee: **SHENZHEN VELOCITY TECHNOLOGY INNOVATIONS CO., LTD., Shenzhen (CN)**

(**) Term: **15 Years**

(21) Appl. No.: **29/731,705**

(22) Filed: **Apr. 17, 2020**

(51) **LOC (13) Cl.** **14-02**

(52) **U.S. Cl.**
USPC **D14/434**

(58) **Field of Classification Search**
USPC ... D14/434, 432, 433, 435, 435.1, 356, 357, D14/358, 251–253, 217, 299, 496, 169; D13/103, 107, 108, 184, 110, 123, 133, D13/135, 179; D21/324, 332, 333
CPC G06F 1/16; G06F 1/1632; G06F 1/266; G06F 13/00; G06F 13/38; G06F 13/382; G06F 13/385; G06F 13/387; G06F 3/065; G06F 9/541; G06F 2213/3814; G06F 2213/40; G06F 2213/4004
See application file for complete search history.

D821,983 S * 7/2018 Shah D13/168
D828,356 S * 9/2018 Xie D14/433
D828,839 S * 9/2018 Zhang D14/433
D828,840 S * 9/2018 Zhang D14/433
D828,841 S * 9/2018 Zhang D14/433
(Continued)

FOREIGN PATENT DOCUMENTS

CN 304453730 * 4/2018
CN 305062799 * 3/2019
EM 006648267-0003 * 7/2019

Primary Examiner — Marie D. Fast Horse
(74) Attorney, Agent, or Firm — IPro, PLLC

(57) **CLAIM**

The ornamental design for a multipoint hub, as shown and described.

DESCRIPTION

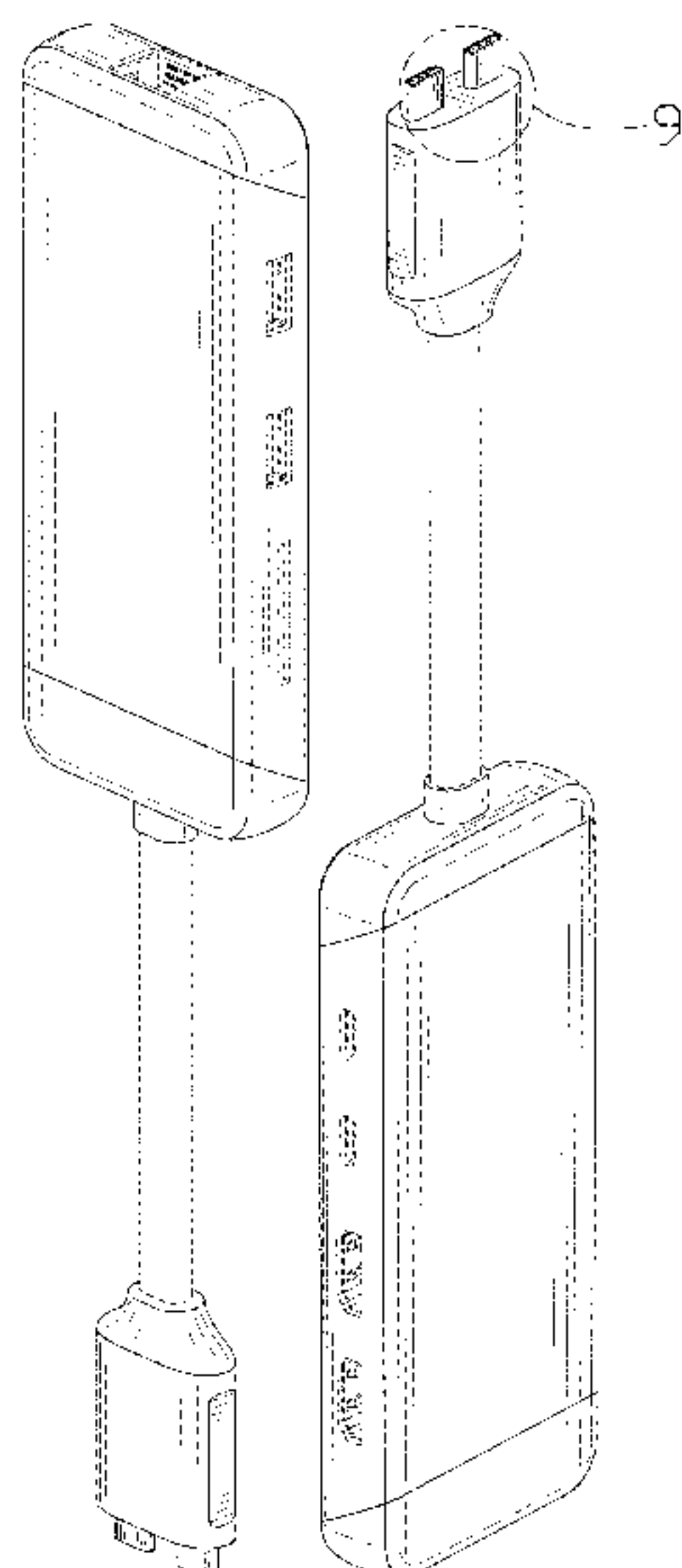
FIG. 1 is a perspective view of a multipoint hub showing our new design;
FIG. 2 is a perspective view viewed from another angle thereof;
FIG. 3 is a front elevation view thereof;
FIG. 4 is a rear elevation view thereof;
FIG. 5 is a left side elevation view thereof;
FIG. 6 is a right side elevation view thereof;
FIG. 7 is a top plan view thereof;
FIG. 8 is a bottom plan view thereof; and,
FIG. 9 is an enlarged view of a circled part of FIG. 1.
The broken lines consisting of uniform dashes depict portions of the docking station that form no part of the claimed design.
The broken lines consisting of a long dash and a short dash depict reference to the enlargements shown in the figures and form no part of the claim.
And shading and cross-hatching are not features of the design but are utilized to illustrate the surface contours of the multipoint hub in the drawings.

1 Claim, 9 Drawing Sheets

(56) **References Cited**

U.S. PATENT DOCUMENTS

D661,249 S * 6/2012 Smith D13/110
D693,798 S * 11/2013 Chuang D14/240
D697,865 S * 1/2014 Saito D13/103
D720,687 S * 1/2015 Hasbrook D13/103
D728,467 S * 5/2015 Hasbrook D13/103
D733,043 S * 6/2015 Hasbrook D13/108
D789,935 S * 6/2017 Zheng D14/433
D798,811 S * 10/2017 Liao D13/110



(56)

References Cited

U.S. PATENT DOCUMENTS

D838,241	S	*	1/2019	Xie	D14/434
D841,010	S	*	2/2019	Kong	D14/435.1
D847,139	S	*	4/2019	Wang	D14/433
D854,020	S	*	7/2019	Liao	D14/434
D879,779	S	*	3/2020	Liao	D14/433
D879,781	S	*	3/2020	Zhang	D14/433
D880,481	S	*	4/2020	Liao	D14/433
D880,483	S	*	4/2020	Fan	D14/434
D885,339	S	*	5/2020	Duan	D14/433
D886,825	S	*	6/2020	Zhang	D14/433
D892,801	S	*	8/2020	Liu	D14/434
D894,190	S	*	8/2020	Zhang	D14/433
D896,185	S	*	9/2020	Turksu	D14/433
D896,220	S	*	9/2020	Wu	D14/434
D896,814	S	*	9/2020	Zhang	D14/433
D902,211	S	*	11/2020	Jiang	D14/433
D904,411	S	*	12/2020	Zhang	D14/433
D905,063	S	*	12/2020	Liu	D14/434
D908,095	S	*	1/2021	Turksu	D14/433
D910,578	S	*	2/2021	Turksu	D14/433
D911,346	S	*	2/2021	Turksu	D14/433
D912,056	S	*	3/2021	Liao	D14/433
D916,093	S	*	4/2021	Liao	D14/433
D916,705	S	*	4/2021	Liao	D14/433
D918,917	S	*	5/2021	Wu	D14/433
D918,918	S	*	5/2021	Wu	D14/433

* cited by examiner

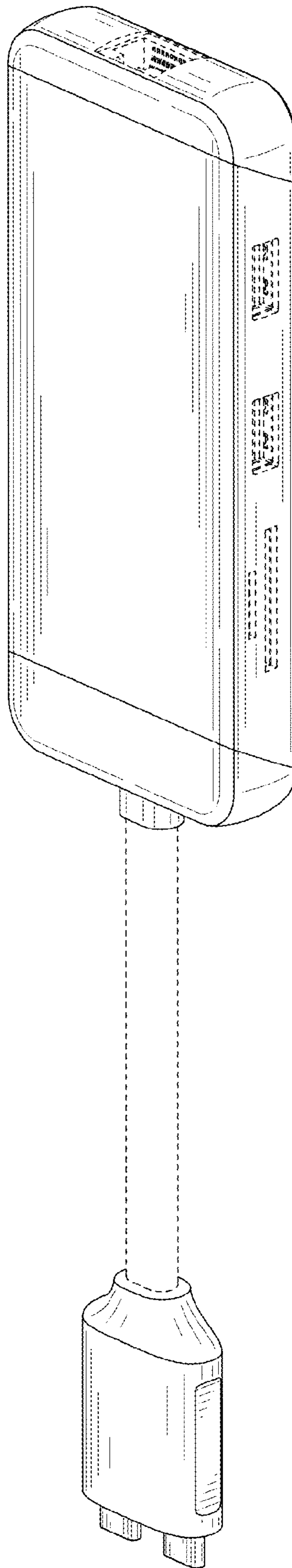


FIG. 1

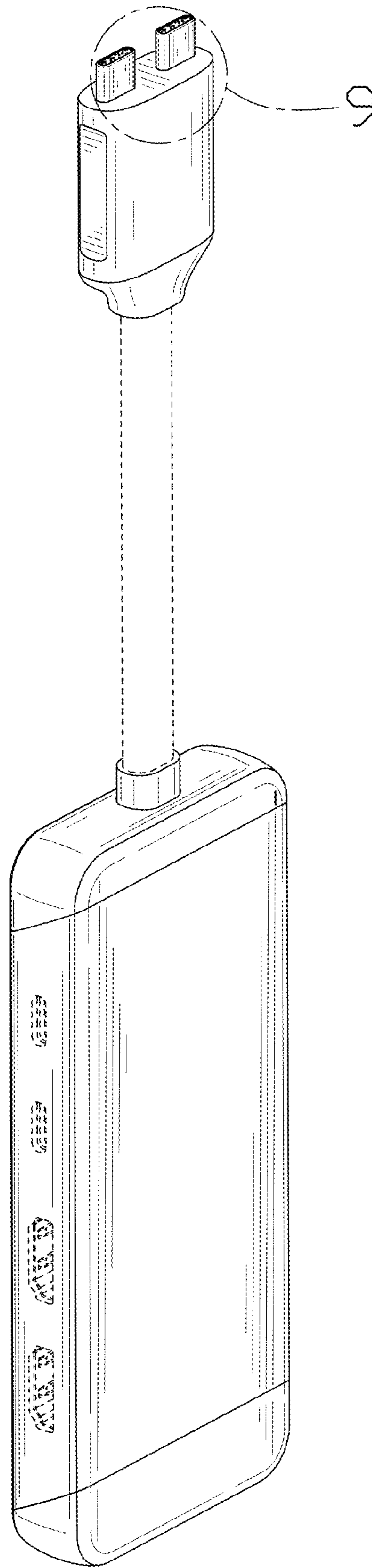


FIG. 2

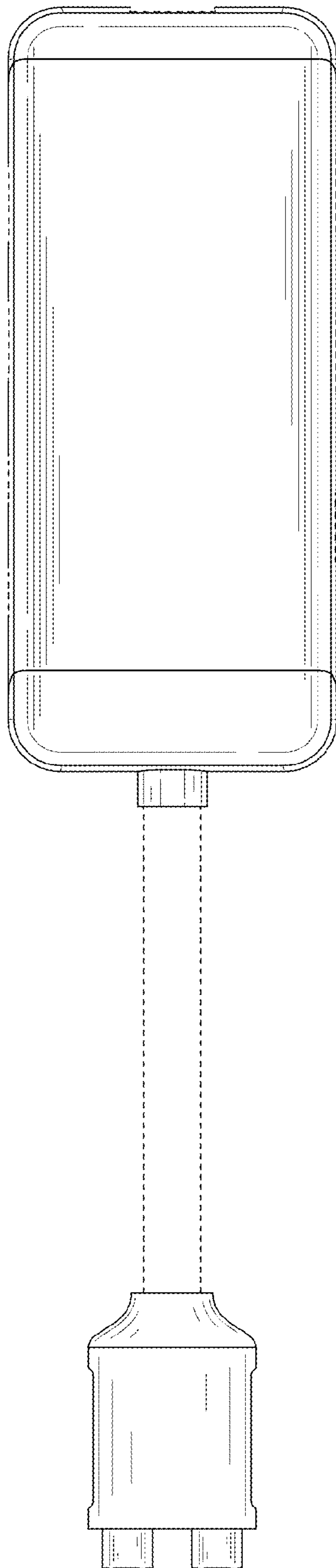


FIG. 3

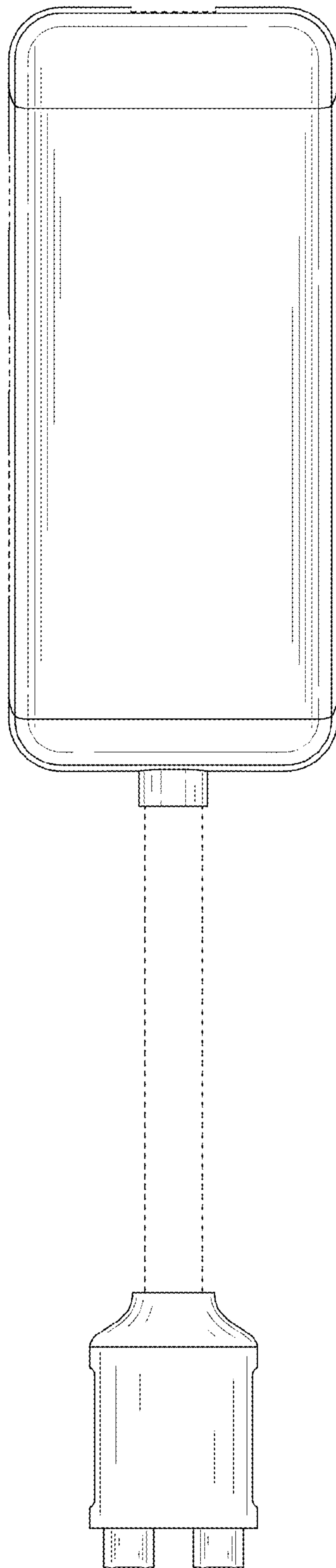


FIG. 4

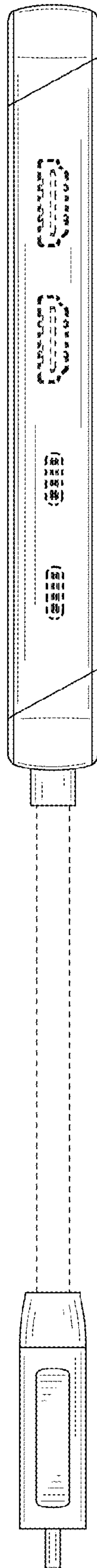


FIG. 5

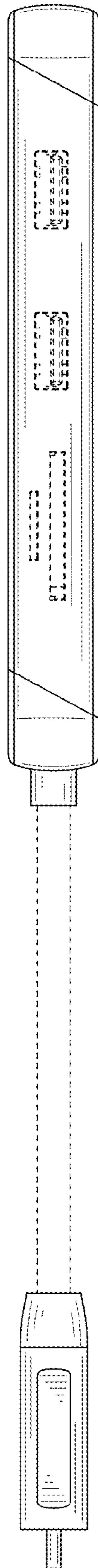


FIG. 6

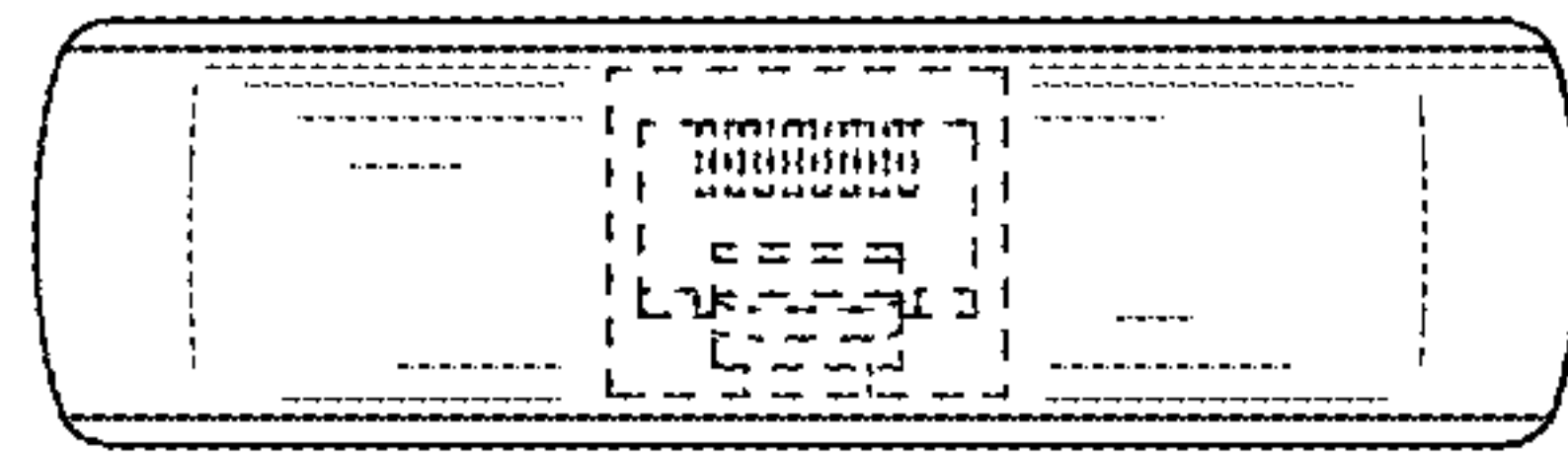


FIG. 7

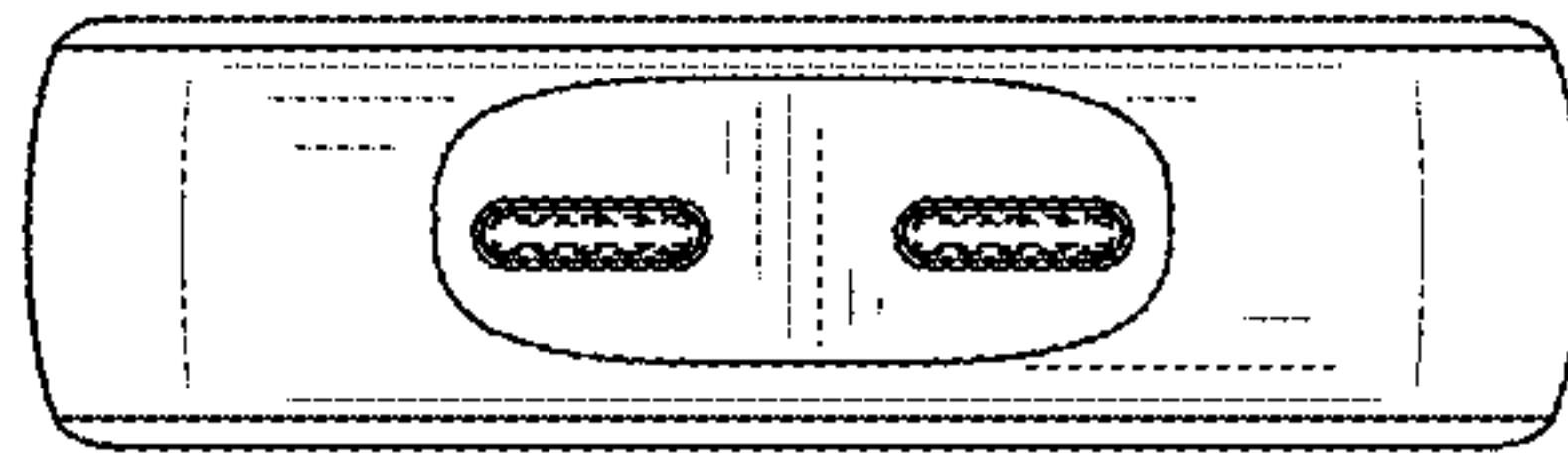


FIG. 8

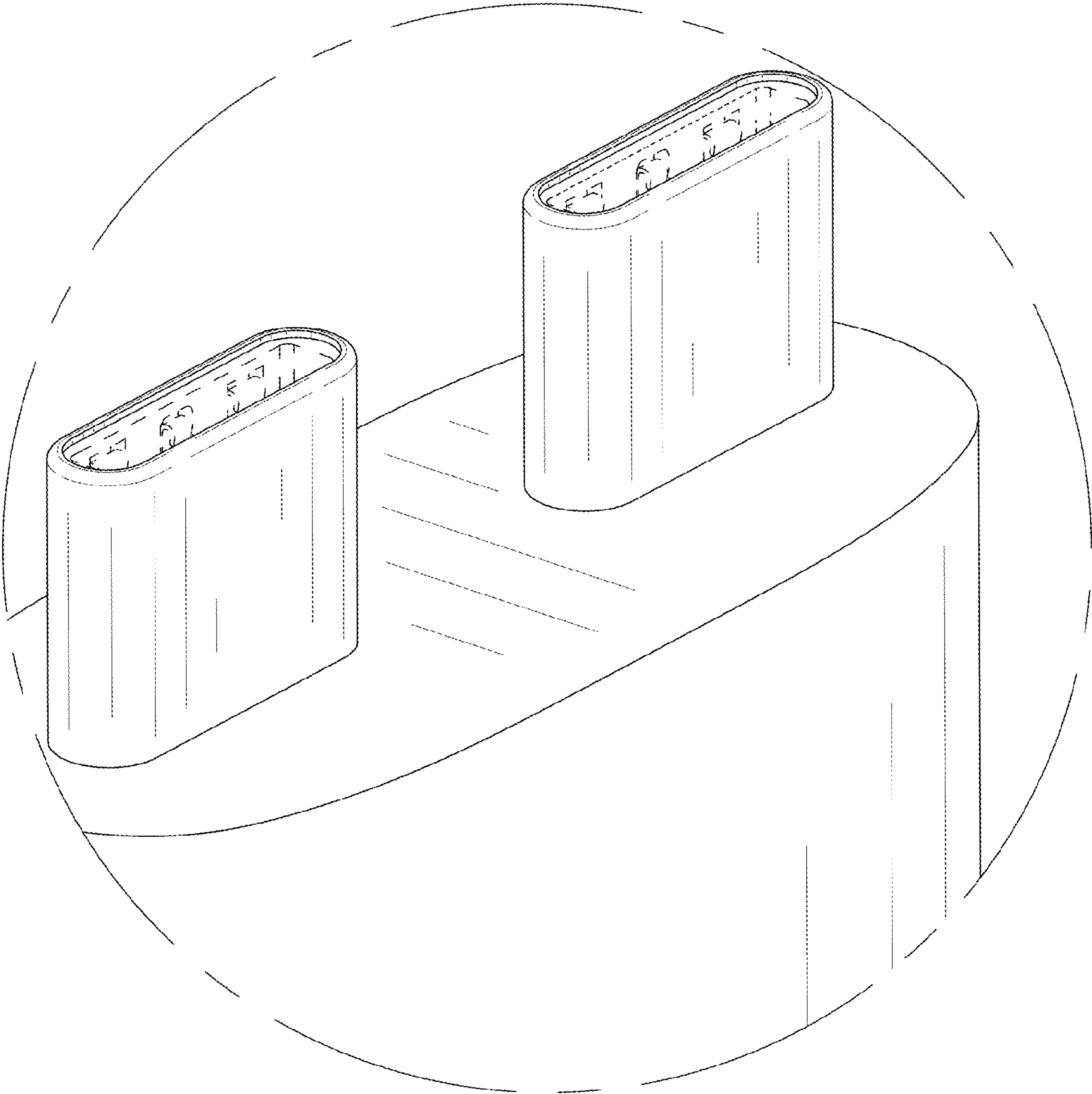


FIG. 9