

US00D924873S

(12) **United States Design Patent** (10) **Patent No.:** **US D924,873 S**
Chen (45) **Date of Patent:** **** *Jul. 13, 2021**

(54) **USB HUB**

(71) Applicant: **shenzhen wei shu ke ji you xian gong si**, Shenzhen (CN)

(72) Inventor: **Liang Chen**, Shenzhen (CN)

(73) Assignee: **shenzhen wei shu ke ji you xian gong si**, Shenzhen (CN)

(*) Notice: This patent is subject to a terminal disclaimer.

(**) Term: **15 Years**

(21) Appl. No.: **29/731,434**

(22) Filed: **Apr. 15, 2020**

(30) **Foreign Application Priority Data**

Apr. 2, 2020 (CN) 202030124754.4

(51) **LOC (13) Cl.** **14-99**

(52) **U.S. Cl.**
USPC **D14/433**

(58) **Field of Classification Search**
USPC D14/240, 242, 356, 358, 363, 365, 367, D14/370, 432-437, 439, 498, 125, 366, D14/168, 496; D13/147, 164, 123, 133, D13/146, 110, 199, 103, 162, 159, 160, D13/184; 361/683, 684, 686, 724, 735, 361/737, 752; D18/40
CPC H01R 25/006; H01R 27/02; H01R 31/005; G06F 13/4022; G06F 13/382; G06F 1/1632; G06F 1/1684; G06F 1/20; G06F 1/1607
See application file for complete search history.

(56) **References Cited**

U.S. PATENT DOCUMENTS

D702,239 S * 4/2014 Lee D14/432
D709,892 S * 7/2014 Lui D14/433

D828,354 S * 9/2018 Chuang D14/433
D864,967 S * 10/2019 Liu D14/434
D869,411 S * 12/2019 Wang D14/125
D874,462 S * 2/2020 Chin D14/433
D878,372 S * 3/2020 Bagley D14/433
D881,192 S * 4/2020 Ma D14/433
D882,577 S * 4/2020 Liao D14/433
D882,578 S * 4/2020 Zhang D14/433
D885,391 S * 5/2020 Chin D14/433
D885,392 S * 5/2020 Duan D14/433
D885,396 S * 5/2020 Chen D14/433

(Continued)

FOREIGN PATENT DOCUMENTS

EM 005267952-0001 5/2018
EM 006812186-0001 9/2019

Primary Examiner — Austin Murphy

(74) *Attorney, Agent, or Firm* — ScienBiziP, P.C.

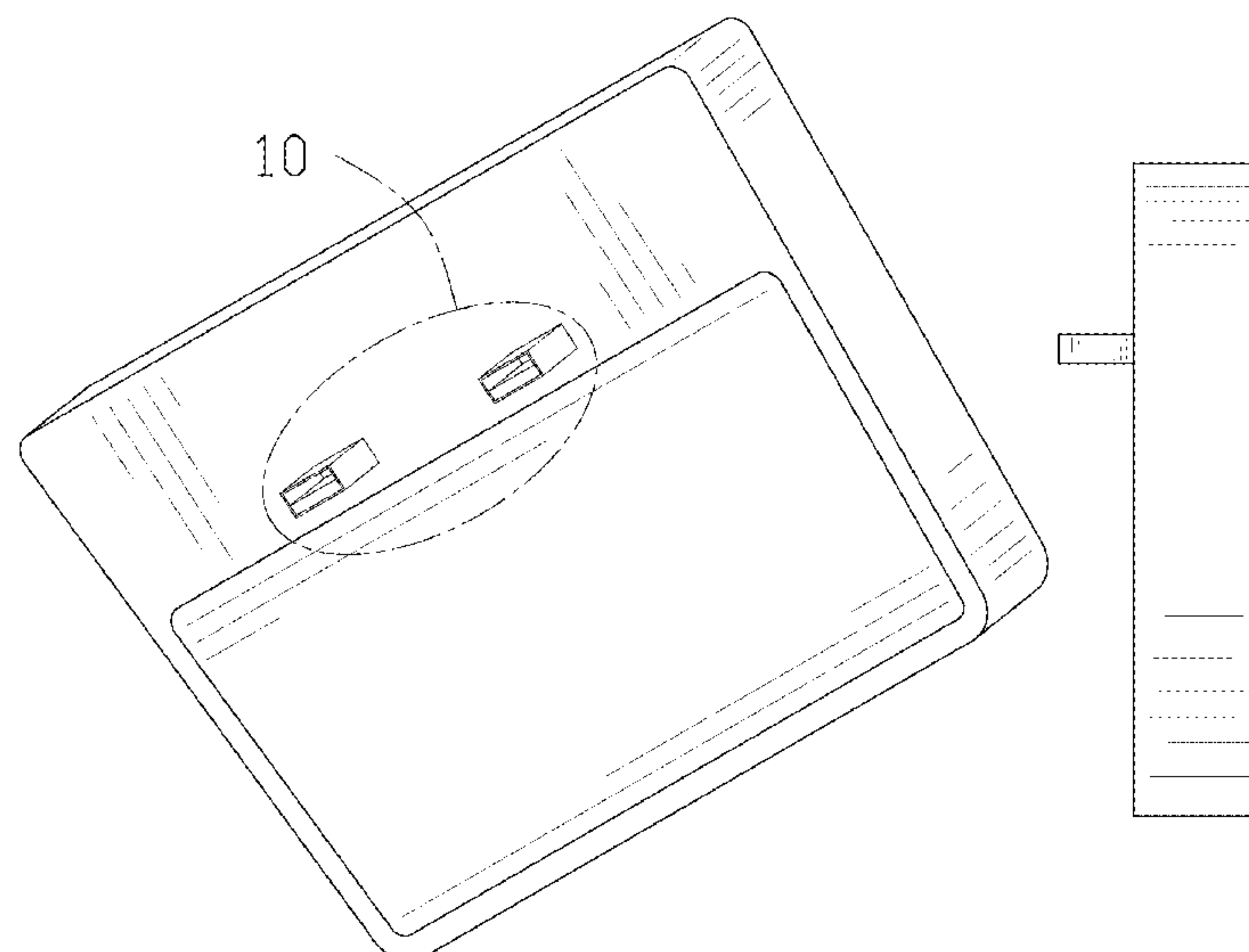
(57) **CLAIM**

The ornamental design for a USB hub, as shown and described.

DESCRIPTION

FIG. 1 is a front perspective view of a USB hub showing my design.
FIG. 2 is a bottom rear perspective view of the USB hub.
FIG. 3 is a front elevation view of the USB hub of FIG. 1.
FIG. 4 is a rear elevation view of the USB hub of FIG. 1.
FIG. 5 is a left side elevation view of the USB hub of FIG. 1.
FIG. 6 is a right side elevation view of the USB hub of FIG. 1.
FIG. 7 is a top plan view of the USB hub of FIG. 1.
FIG. 8 is a bottom plan view of the USB hub of FIG. 1.
FIG. 9 is a partially enlarged view of an area the USB hub labeled 9 in FIG. 1; and,
FIG. 10 is a partially enlarged view of an area the USB hub labeled 10 in FIG. 2.

1 Claim, 10 Drawing Sheets



(56)

References Cited

U.S. PATENT DOCUMENTS

D886,105 S * 6/2020 Duan D14/433
D886,825 S * 6/2020 Zhang D14/433

* cited by examiner

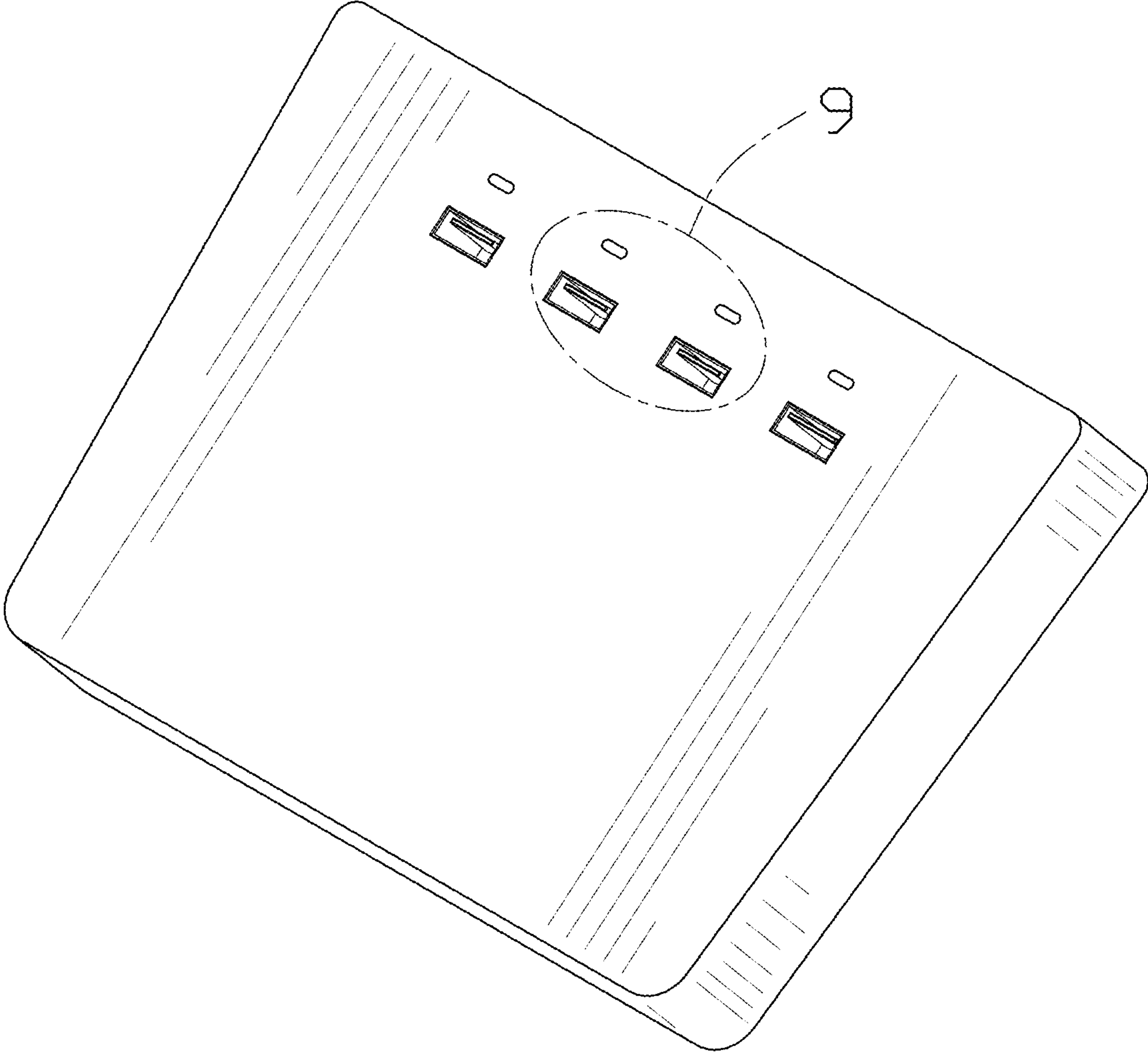


FIG. 1

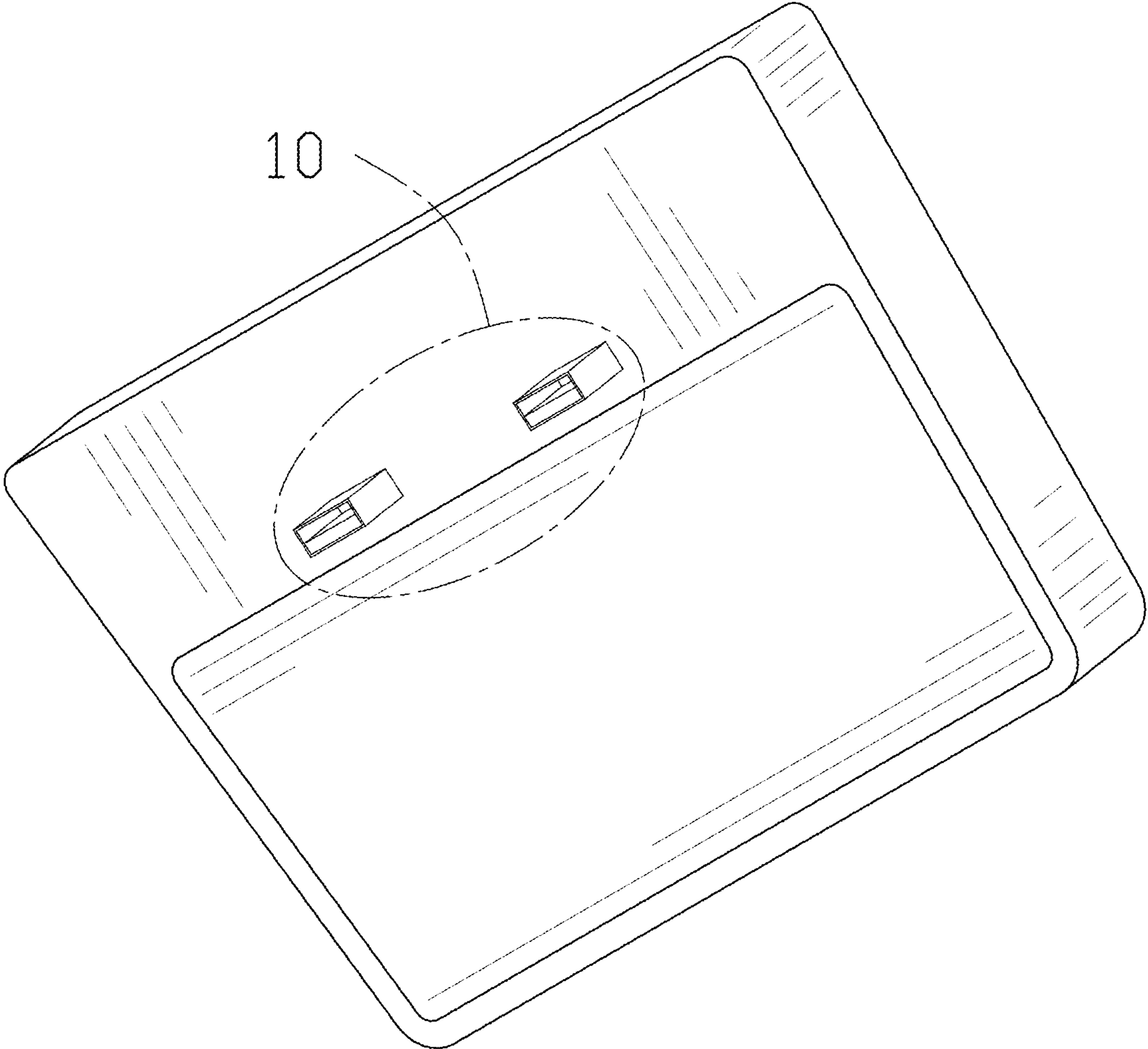


FIG. 2

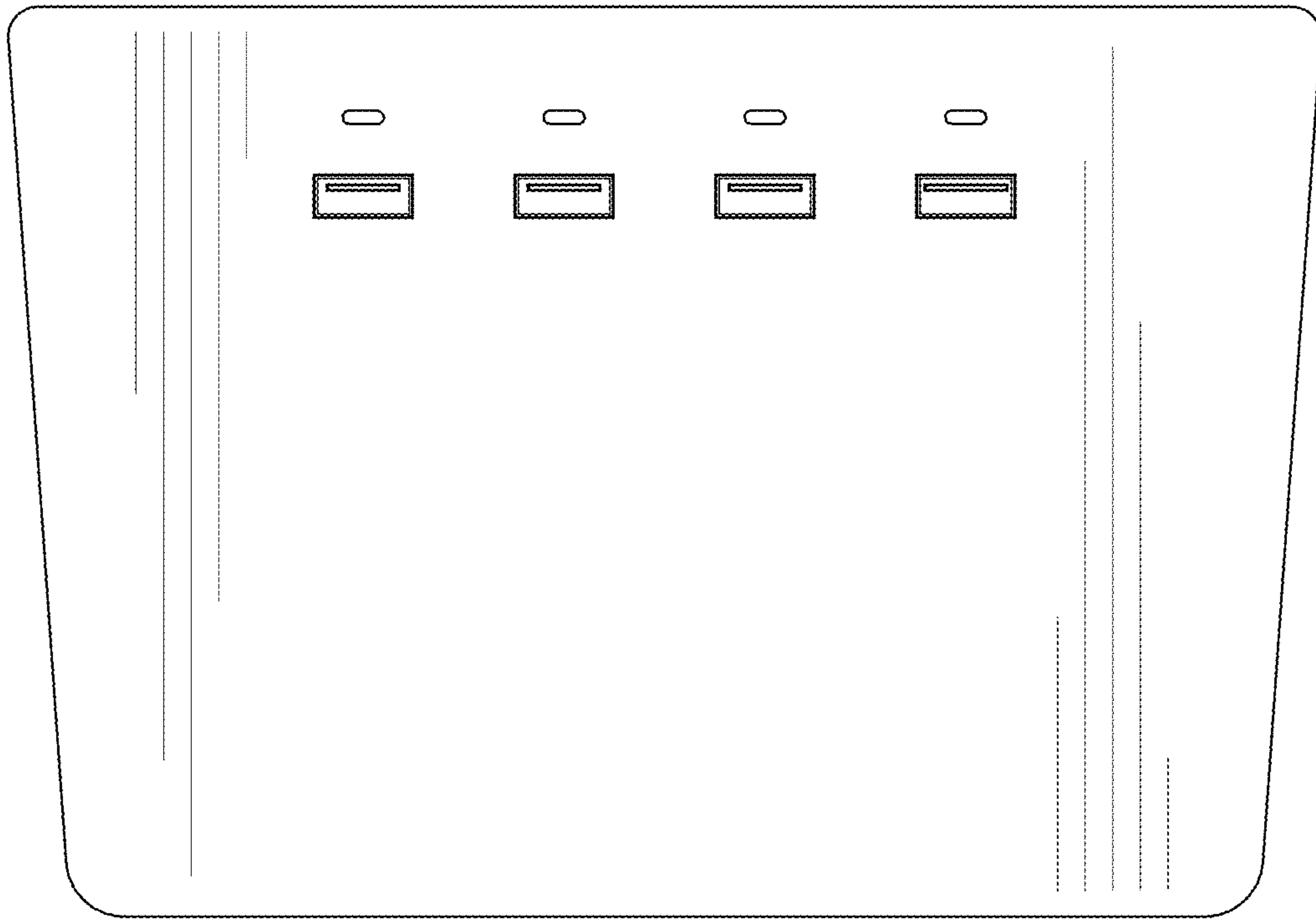


FIG. 3

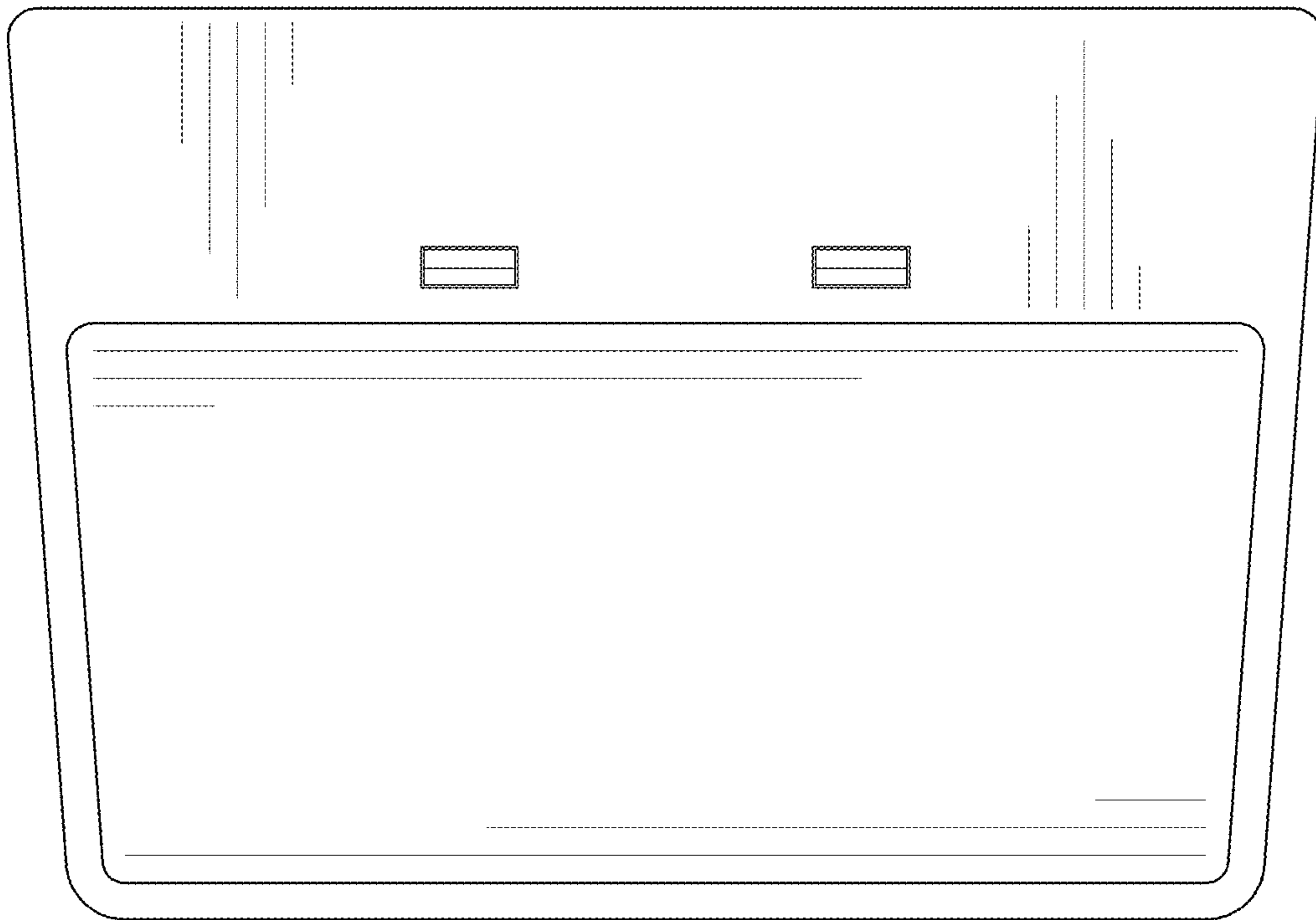


FIG. 4

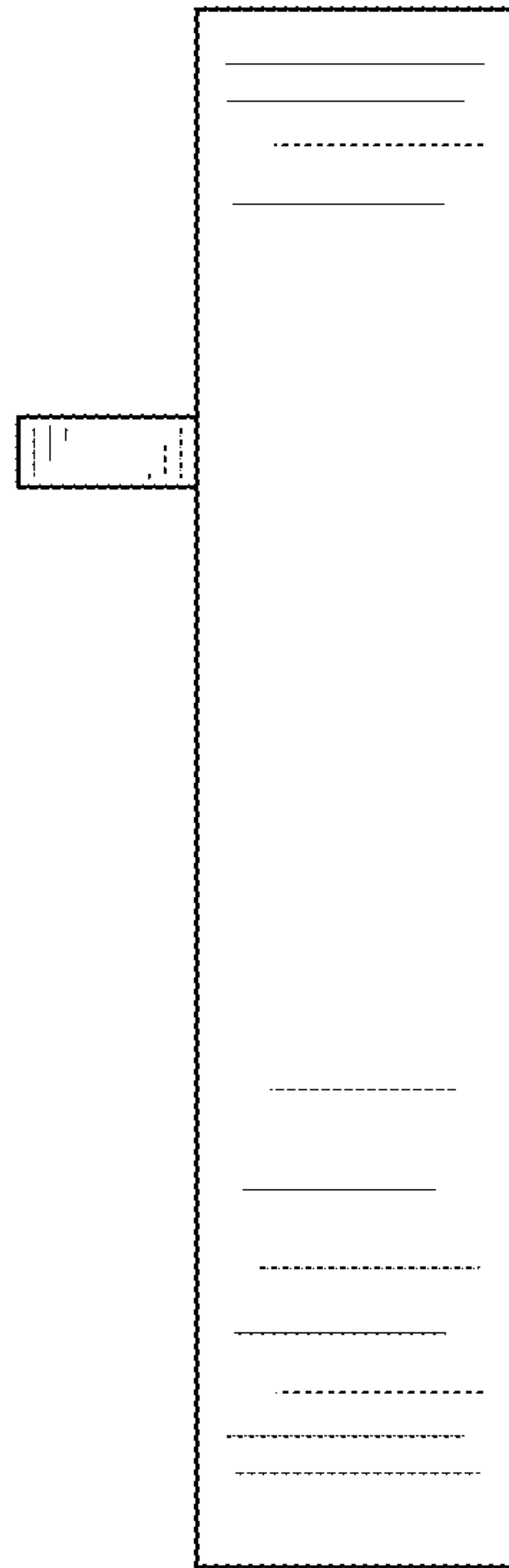


FIG. 5

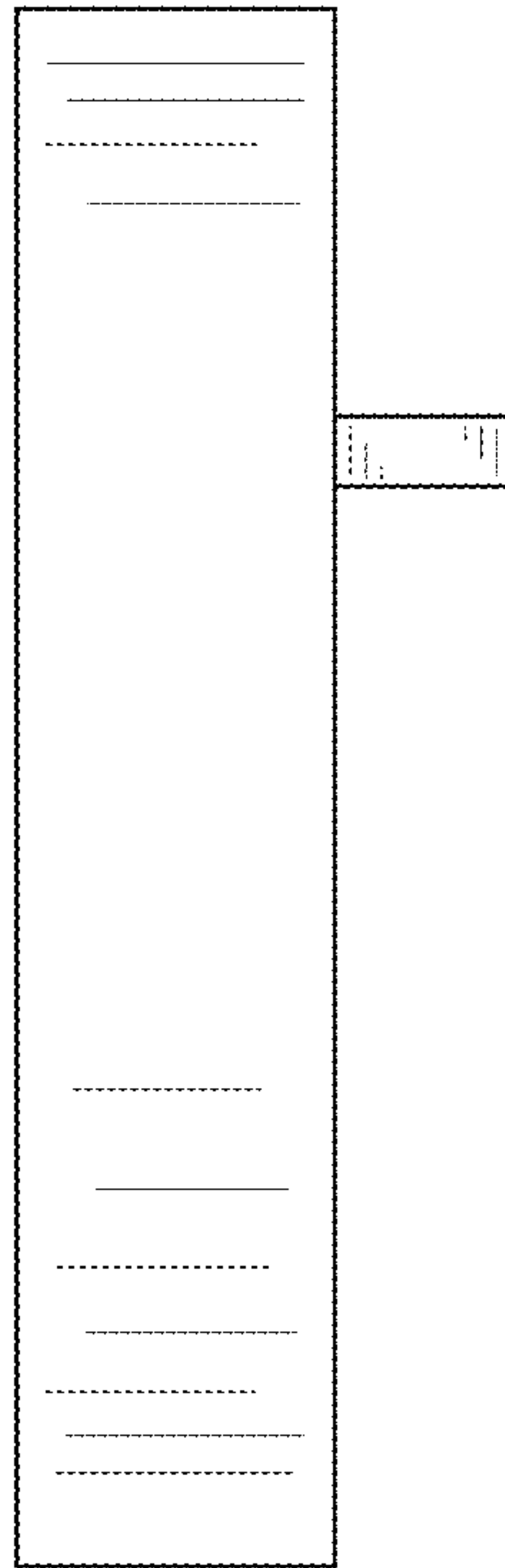


FIG. 6

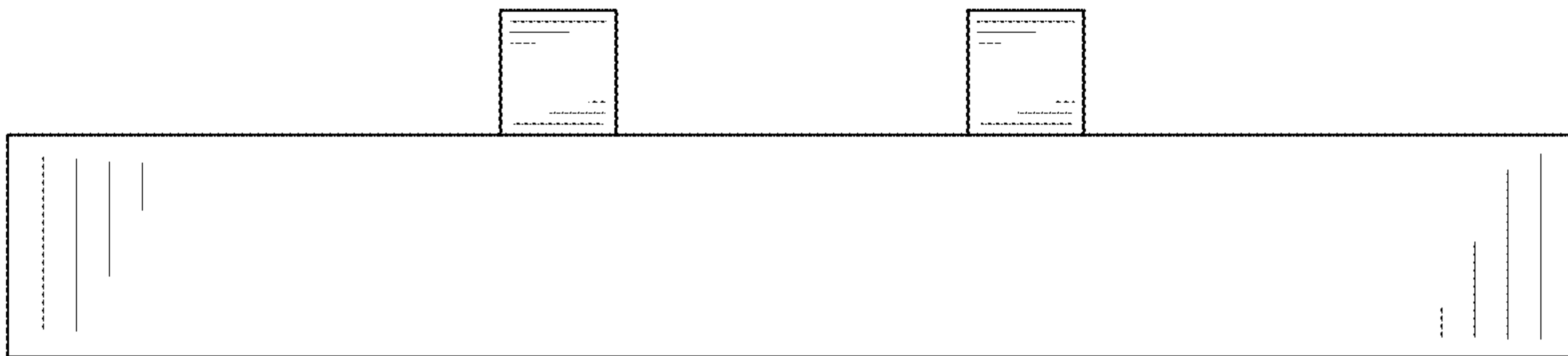


FIG. 7

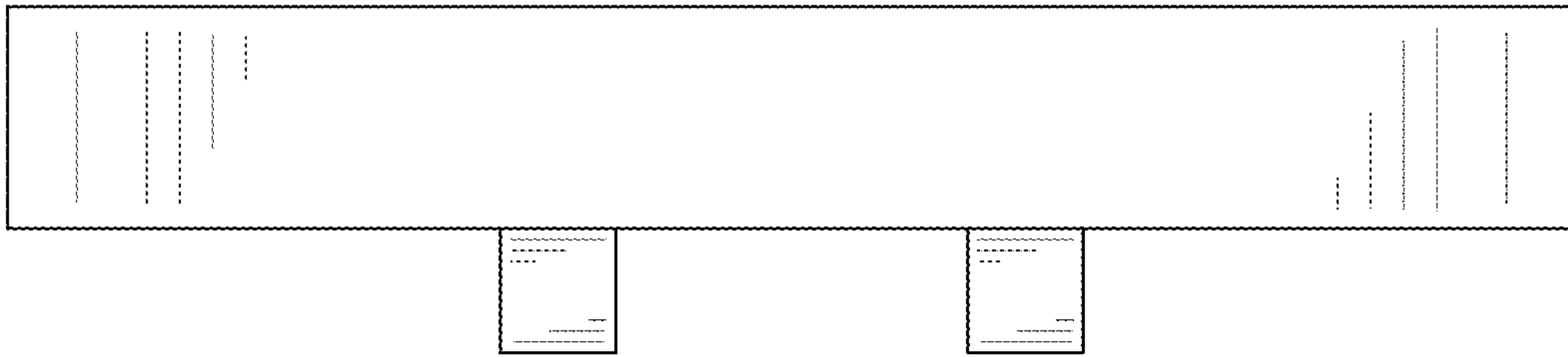


FIG. 8

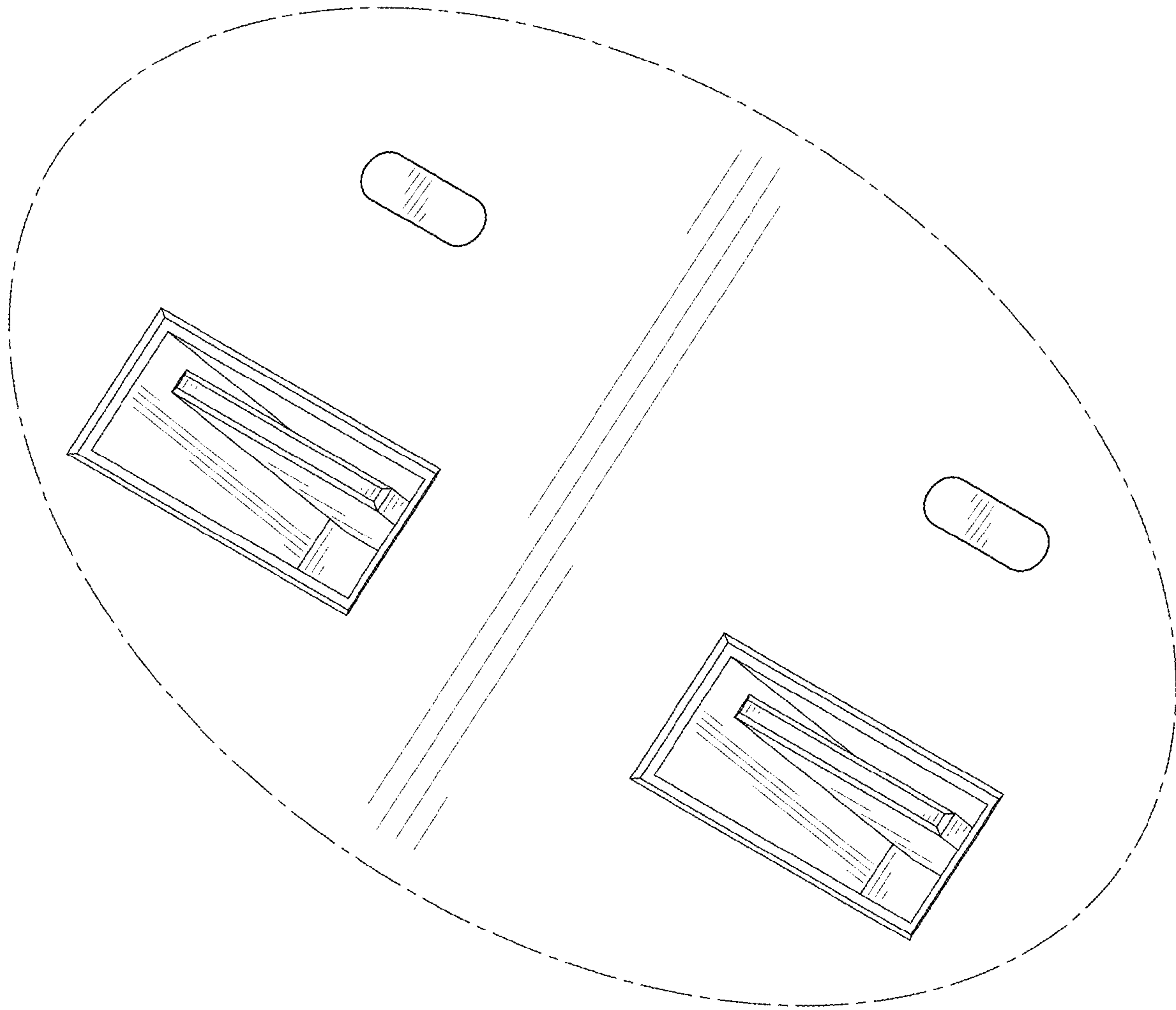


FIG. 9

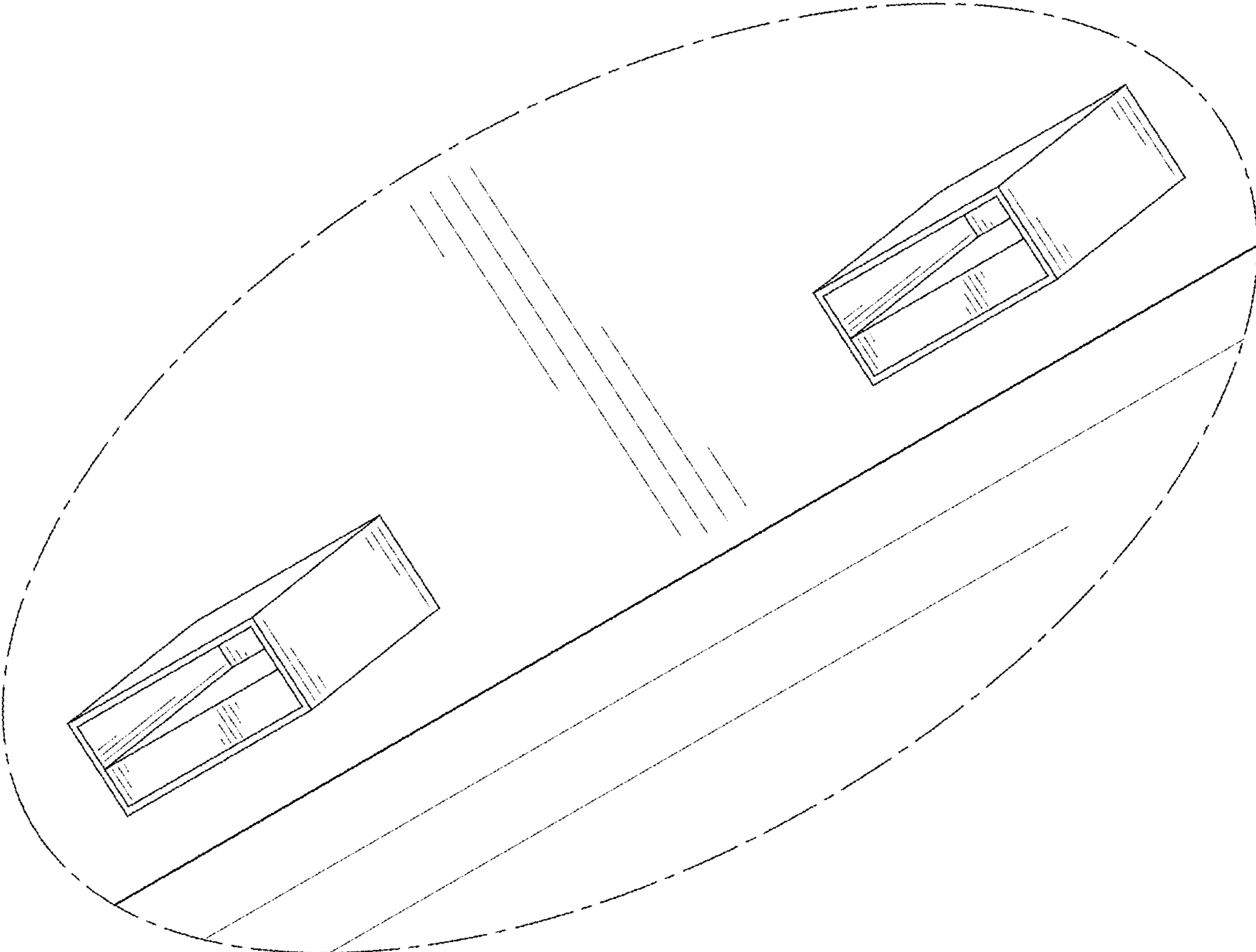


FIG. 10