



US00D924872S

(12) **United States Design Patent** (10) **Patent No.:** **US D924,872 S**
Yum et al. (45) **Date of Patent:** **** Jul. 13, 2021**

(54) **KEYBOARD FOR ELECTRONIC DEVICE**

(71) Applicant: **SAMSUNG ELECTRONICS CO., LTD.**, Suwon-si (KR)
(72) Inventors: **Sung-Jin Yum**, Suwon-si (KR); **Min-Ah Koh**, Suwon-si (KR); **Hak-Do Kim**, Suwon-si (KR)
(73) Assignee: **SAMSUNG ELECTRONICS CO., LTD.**, Gyeonggi-Do (KR)
(**) Term: **15 Years**

(21) Appl. No.: **29/722,372**

(22) Filed: **Jan. 29, 2020**

(30) **Foreign Application Priority Data**

Aug. 16, 2019 (KR) 30-2019-0039213

(51) **LOC (13) Cl.** **14-02**

(52) **U.S. Cl.**
USPC **D14/392**

(58) **Field of Classification Search**
USPC D14/247, 315-327, 331-333, 338, D14/345-347, 387, 390-401, 406, 429, D14/455-457, 460-461, 447, 459, 203.8, D14/209.1; D18/1-2, 4.1-4.6, 7, 11, D18/12.2, 52; D21/324, 409; 341/22-23,
(Continued)

(56) **References Cited**

U.S. PATENT DOCUMENTS

D678,277 S 3/2013 Groene et al.
D678,300 S * 3/2013 Groene D14/455
(Continued)

FOREIGN PATENT DOCUMENTS

CN 302973976 * 10/2014
CN 303113814 * 5/2015
(Continued)

OTHER PUBLICATIONS

Galaxy Tab S6, Samsung, samsung.com, author and date unlisted © 1995-2020 Samsung, online, site visited Dec. 15, 2020. Available from Internet, URL: <https://www.samsung.com/us/mobile/tablets/galaxy-tab-s/galaxy-tab-s6-10-5-128gb-cloud-blue-wi-fi-s-pen-included-sm-t860nzbaxar/#benefits> (Year: 2020).*

(Continued)

Primary Examiner — Marissa J Cash

Assistant Examiner — Altaira J Swangin

(74) *Attorney, Agent, or Firm* — Cantor Colburn LLP

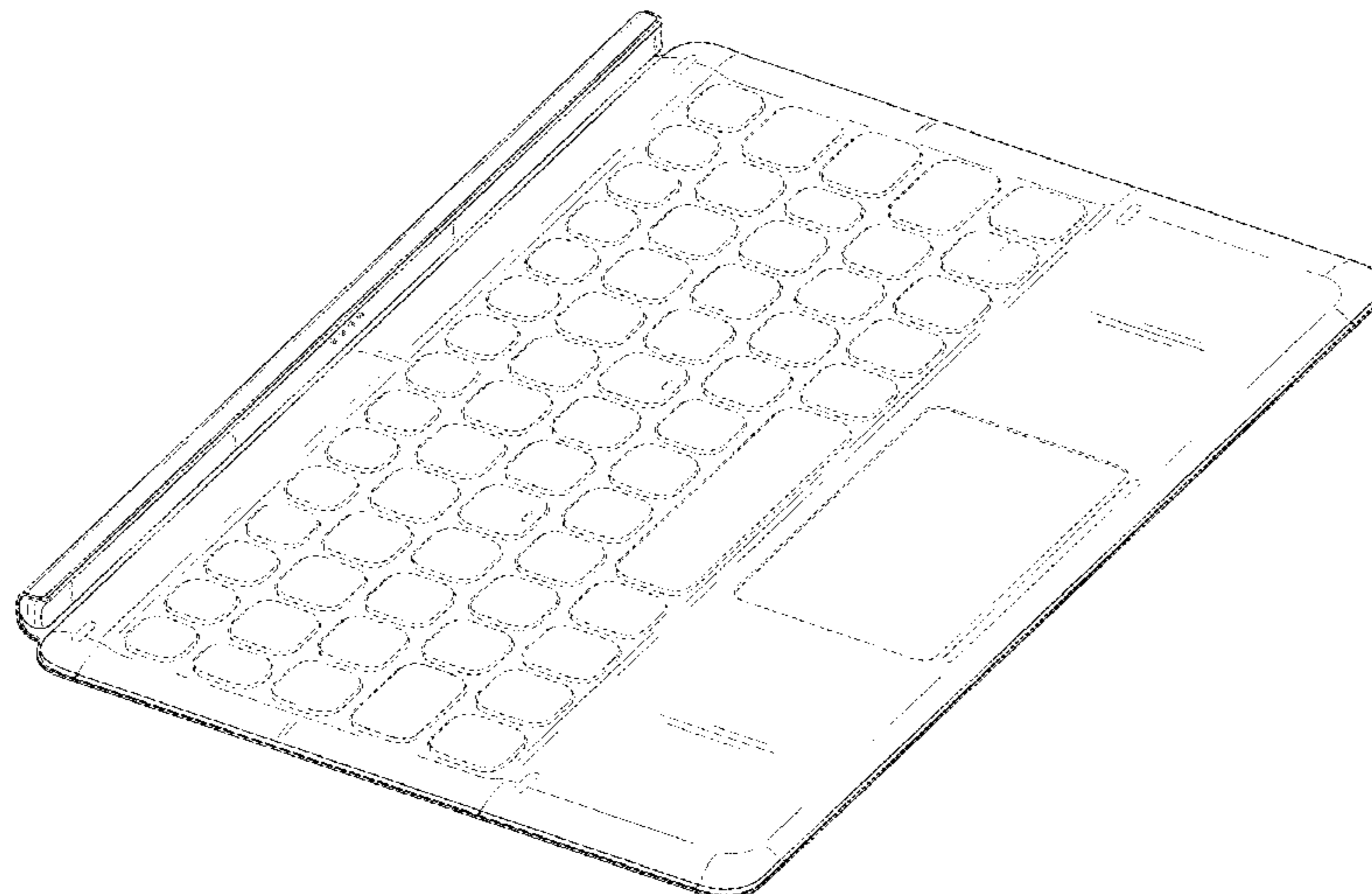
(57) **CLAIM**

The ornamental design for a keyboard for electronic device, as shown and described.

DESCRIPTION

FIG. 1 is a front perspective view of a keyboard for electronic device, showing our new design;
FIG. 2 is a front view thereof;
FIG. 3 is a rear view thereof;
FIG. 4 is a left-side view thereof;
FIG. 5 is a right-side view thereof;
FIG. 6 is a top view thereof;
FIG. 7 is a bottom view thereof;
FIG. 8 is a rear perspective view thereof;
FIG. 9 is an enlarged view of the encircled portion 9 in FIG. 4; and,
FIG. 10 is an enlarged view of the encircled portion 10 in FIG. 8.
The even-dash broken lines illustrating portions of the keyboard for electronic device form no part of the claimed design. The dot-dash broken lines showing enlarged detail views are for annotative purposes only and form no part of the claimed design.

1 Claim, 10 Drawing Sheets



(58) **Field of Classification Search**

USPC 341/26; 345/168-173; 361/679.08,
361/679.09, 679.11, 679.14, 679.17,
361/679.26, 679.27, 786; 708/142-146;
235/8, 12, 15, 26-27, 145 A, 145 R, 146,
235/61 PE
CPC B41J 5/00; B41J 5/10; B41J 5/12; G06F
3/021; G06F 3/0216; G06F 3/0219; G06F
3/02

See application file for complete search history.

(56) **References Cited**

U.S. PATENT DOCUMENTS

D689,059 S * 9/2013 Tak D14/457
D705,227 S 5/2014 Groene et al.
D717,806 S * 11/2014 Yum D14/455
D729,767 S * 5/2015 Lee D14/209.1
D731,486 S 6/2015 Kim et al.
D733,153 S * 6/2015 Longo D14/440
D746,293 S * 12/2015 Park D14/455
D756,364 S * 5/2016 Hong D14/440
D775,130 S 12/2016 Otani
D791,135 S * 7/2017 Jung D14/391
D791,780 S 7/2017 Bailey et al.
D819,639 S * 6/2018 Raken D14/391
D822,025 S * 7/2018 Kim D14/392
10,429,948 B2 * 10/2019 Tsuji G06F 3/0346
D870,117 S * 12/2019 Akana D14/457
D898,028 S * 10/2020 Kang D14/391
2003/0142472 A1 * 7/2003 Park G06F 1/1681
361/679.08
2009/0268392 A1 * 10/2009 Cheng G06F 1/203
361/679.52
2010/0091442 A1 * 4/2010 Theobald G06F 1/1679
361/679.09
2011/0038116 A1 * 2/2011 Tseng B29C 43/12
361/679.09
2011/0062008 A1 * 3/2011 Cheng G06F 1/1662
200/5 A
2012/0099264 A1 * 4/2012 Degner F16B 41/005
361/679.09
2012/0224316 A1 * 9/2012 Shulenberger G06F 1/1628
361/679.09
2013/0022382 A1 * 1/2013 Raff G06F 1/1662
400/472
2013/0088826 A1 * 4/2013 Kim G06F 1/1669
361/679.09
2013/0188304 A1 * 7/2013 Lee G06F 1/1662
361/679.12
2014/0029187 A1 * 1/2014 Okuley G06F 1/1662
361/679.09

2014/0043744 A1 * 2/2014 Matsuoka G06F 1/1616
361/679.09
2014/0146445 A1 * 5/2014 Lai G06F 3/0202
361/679.1
2014/0203665 A1 * 7/2014 Goodman H02H 5/083
307/118
2014/0355191 A1 * 12/2014 Lin G06F 1/1679
361/679.17
2015/0116224 A1 * 4/2015 Chen G06F 1/1662
345/169
2015/0153771 A1 * 6/2015 Lin G06F 1/1654
361/679.09
2015/0185784 A1 * 7/2015 Watabe G06F 1/1656
361/679.09
2015/0277499 A1 * 10/2015 MacDonald G01L 19/00
361/679.09
2015/0332874 A1 * 11/2015 Brock H01H 13/83
200/5 A
2016/0048173 A1 * 2/2016 Lyles G06F 1/1656
361/679.17
2016/0062411 A1 * 3/2016 Morrison G06F 1/1632
361/679.08
2016/0062413 A1 * 3/2016 Sano E05D 11/10
361/679.09
2016/0065690 A1 * 3/2016 Hanyu H04L 67/303
715/746
2016/0091934 A1 * 3/2016 Oakley G06F 1/1632
361/679.55
2016/0314559 A1 * 10/2016 Kimura G06T 3/4092
2017/0153665 A1 * 6/2017 Tsai G06F 1/1616
2017/0220076 A1 * 8/2017 Gerbus G06F 1/1632
2017/0255230 A1 * 9/2017 Regimbal G06F 1/1658
2018/0019081 A1 * 1/2018 Ascorra H01H 13/83
2018/0101193 A1 * 4/2018 Tragatschnig G06F 1/1643
2018/0226210 A1 * 8/2018 Varghese A61B 5/318
2019/0296497 A1 * 9/2019 Chang H01R 12/725
2019/0371543 A1 * 12/2019 Chiang G06F 1/1656
2020/0183462 A1 * 6/2020 Li F16C 11/04

FOREIGN PATENT DOCUMENTS

KR 300678943.0001 * 6/2013
KR 301058081.0000 * 5/2020

OTHER PUBLICATIONS

Tab P11, Lenovo, notebookcheck.net, published by Alex Alderson on Oct. 20, 2020 © 2020 Alex Alderson, online, site visited Feb. 10, 2021. Available from URL: <https://www.notebookcheck.net/Leaked-Lenovo-Tab-P11-details-confirm-design-and-specifications-of-upcoming-budget-tablet.498728.0.html> (Year: 2020).*

* cited by examiner

FIG. 1

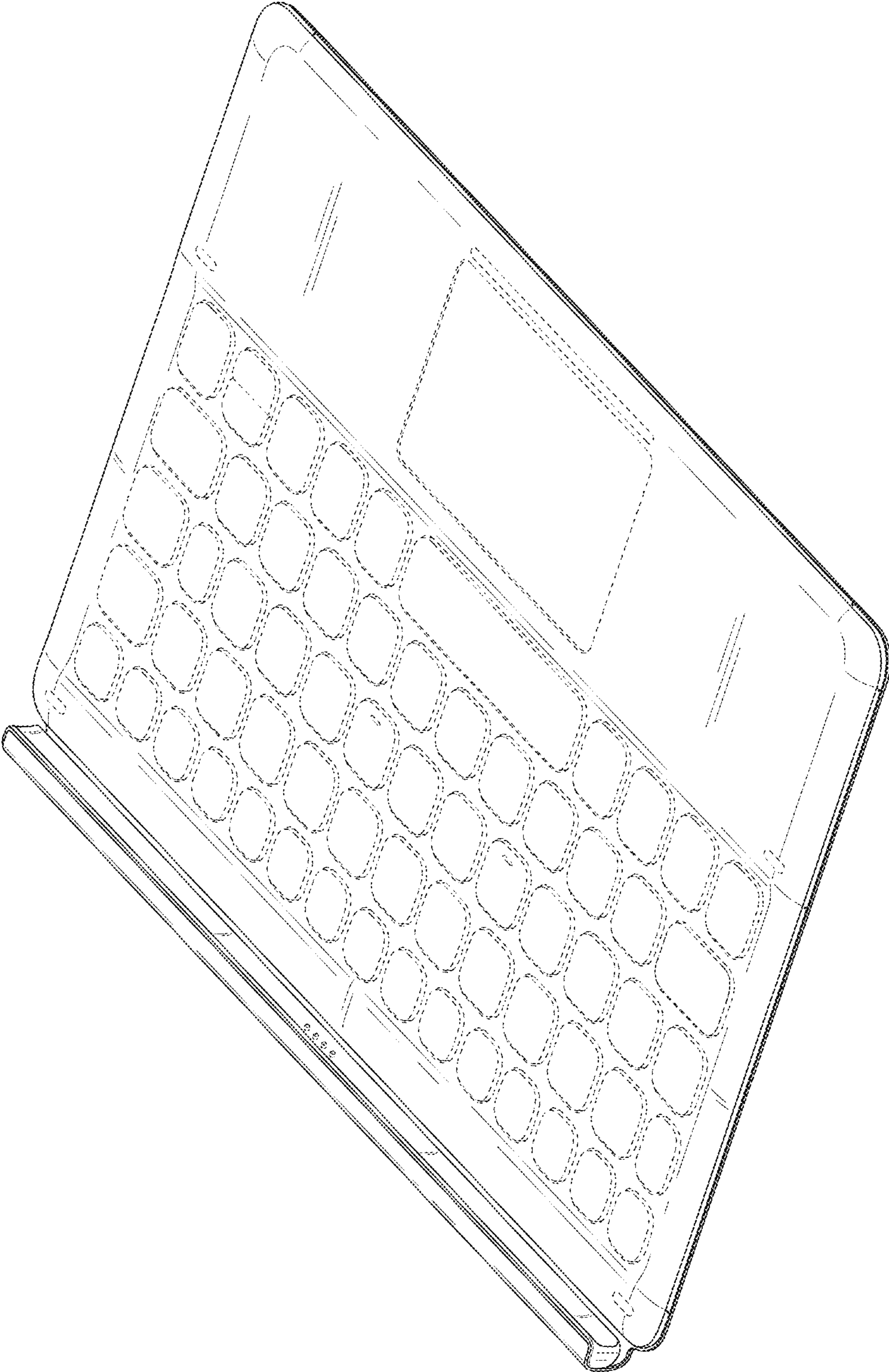


FIG. 2

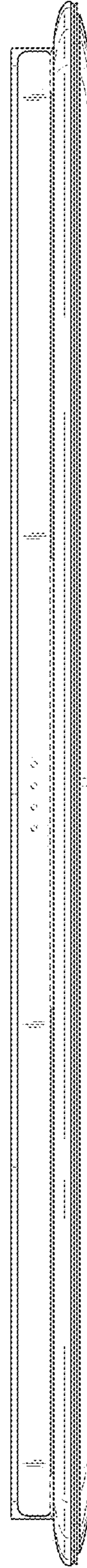


FIG. 3

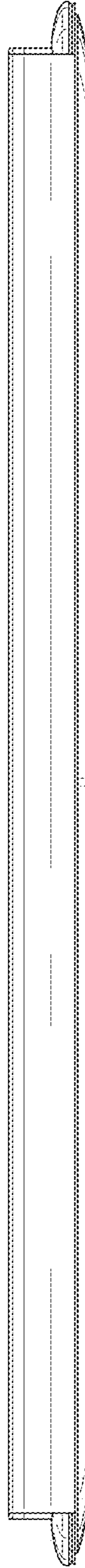


FIG. 4

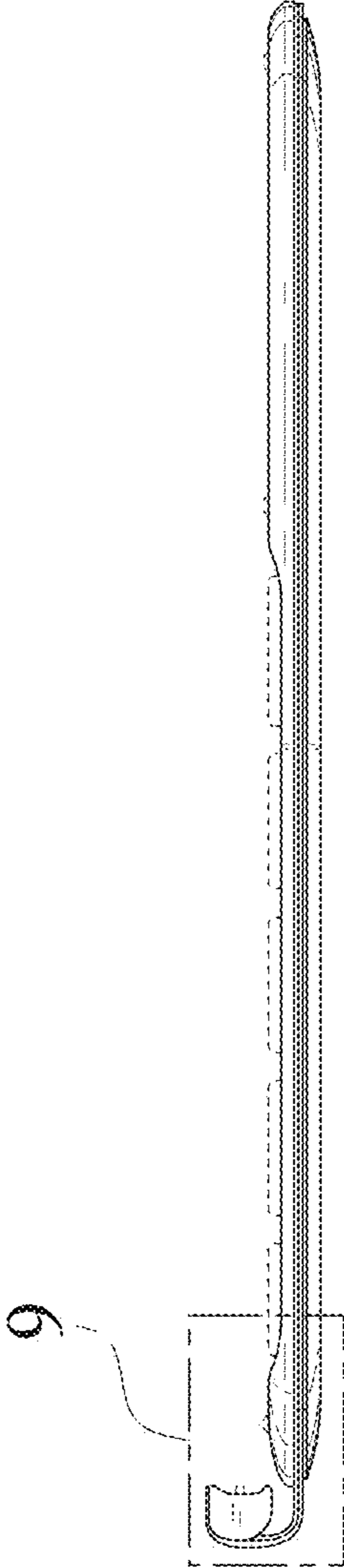


FIG. 5



FIG. 6

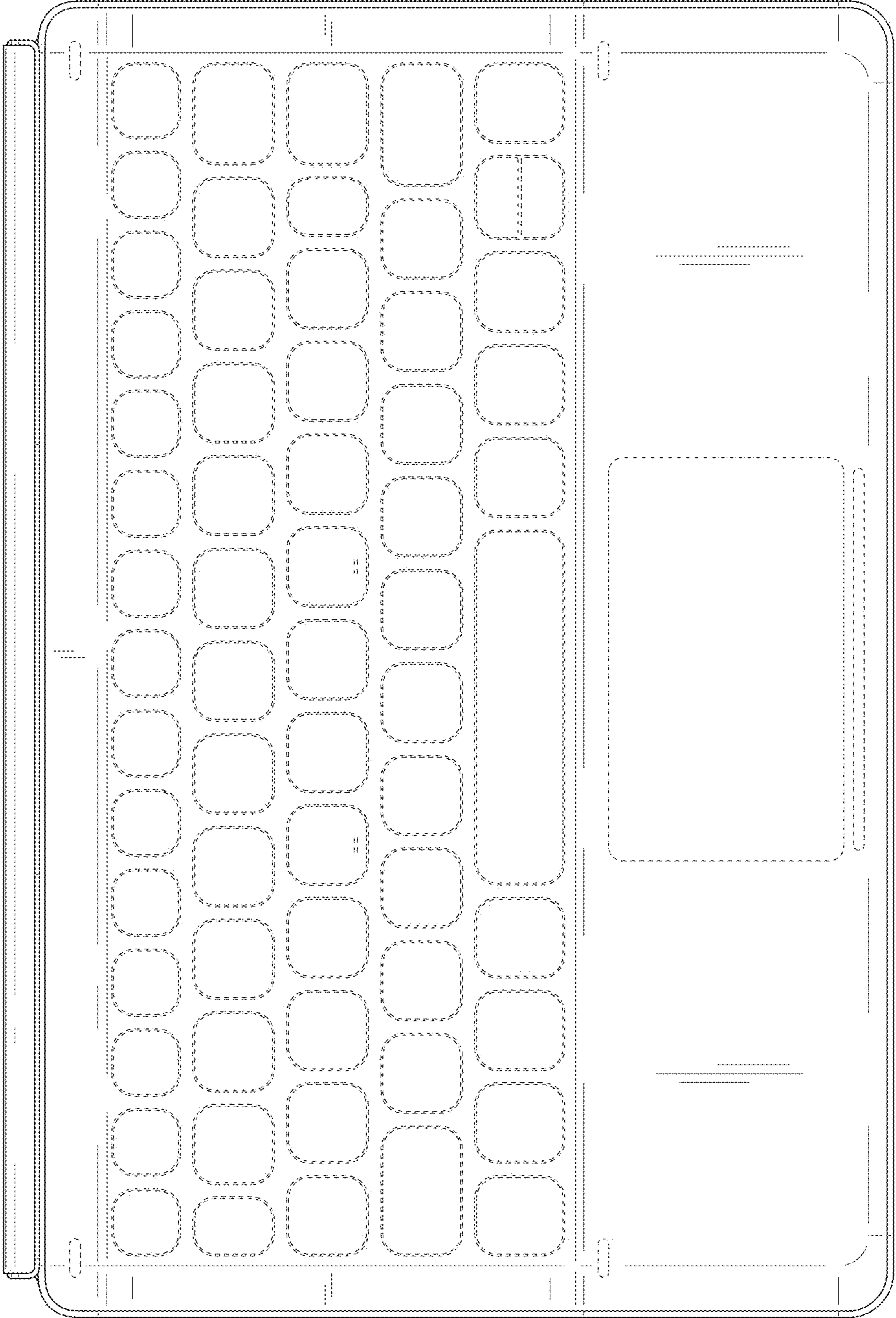


FIG. 7

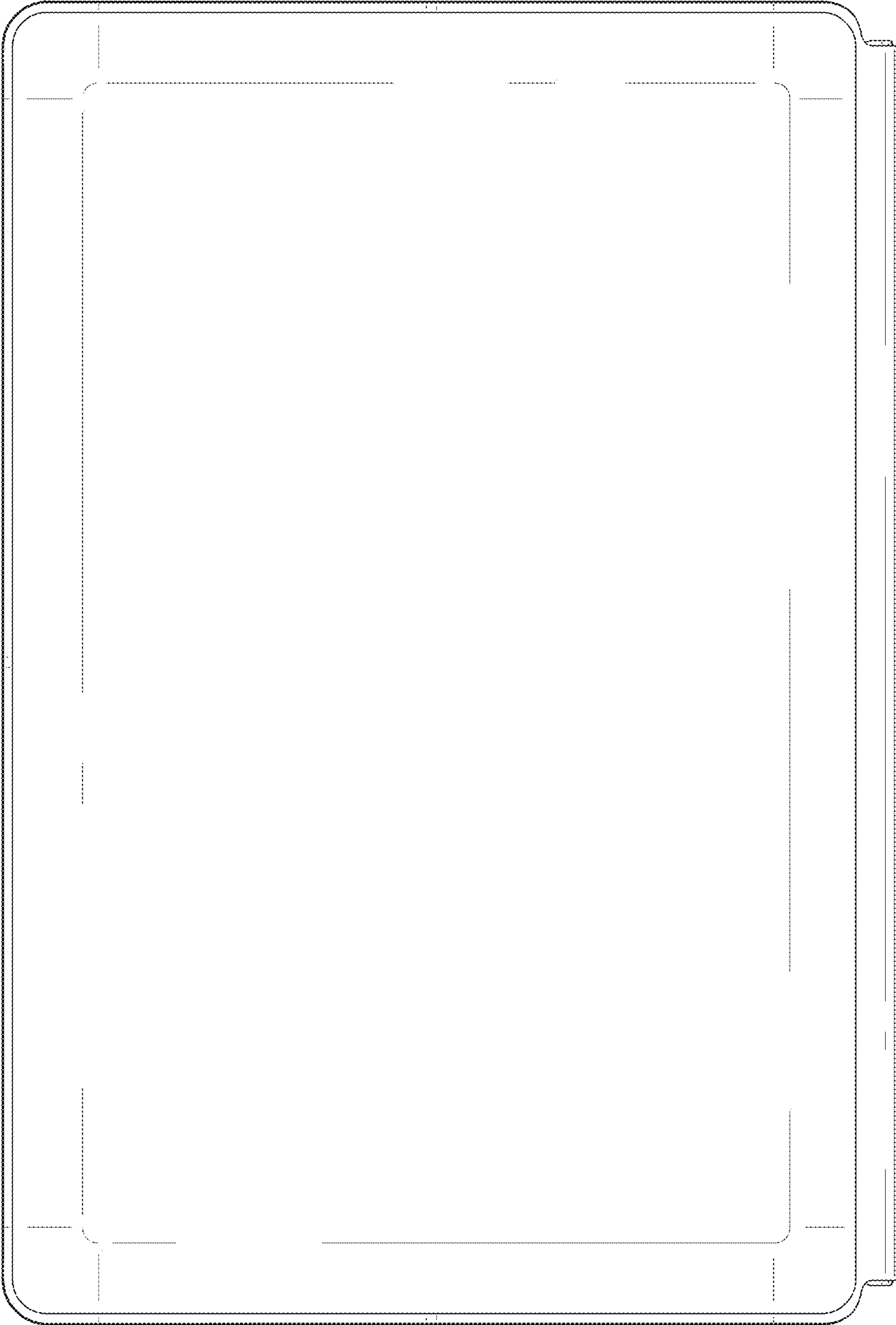


FIG. 8

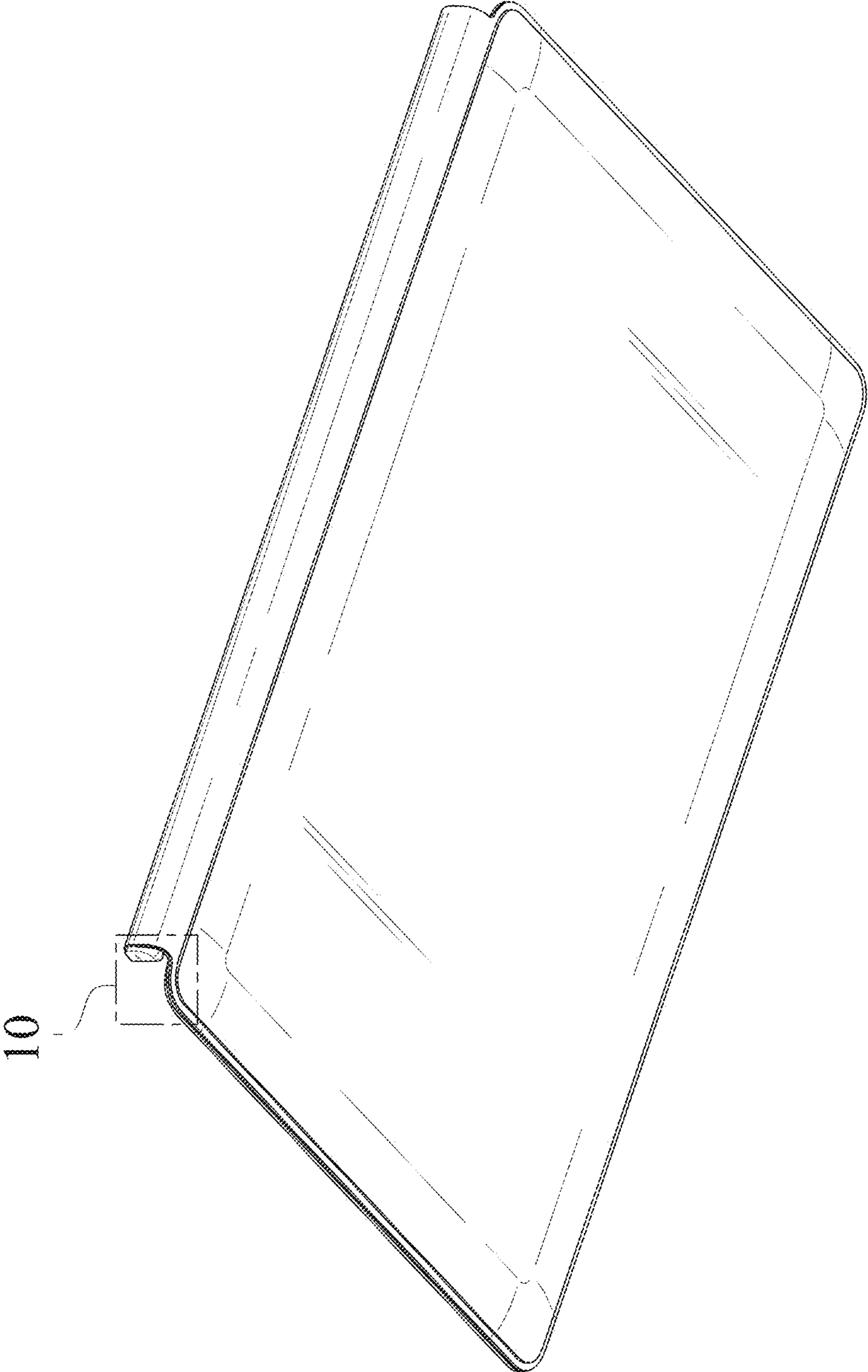


FIG. 9

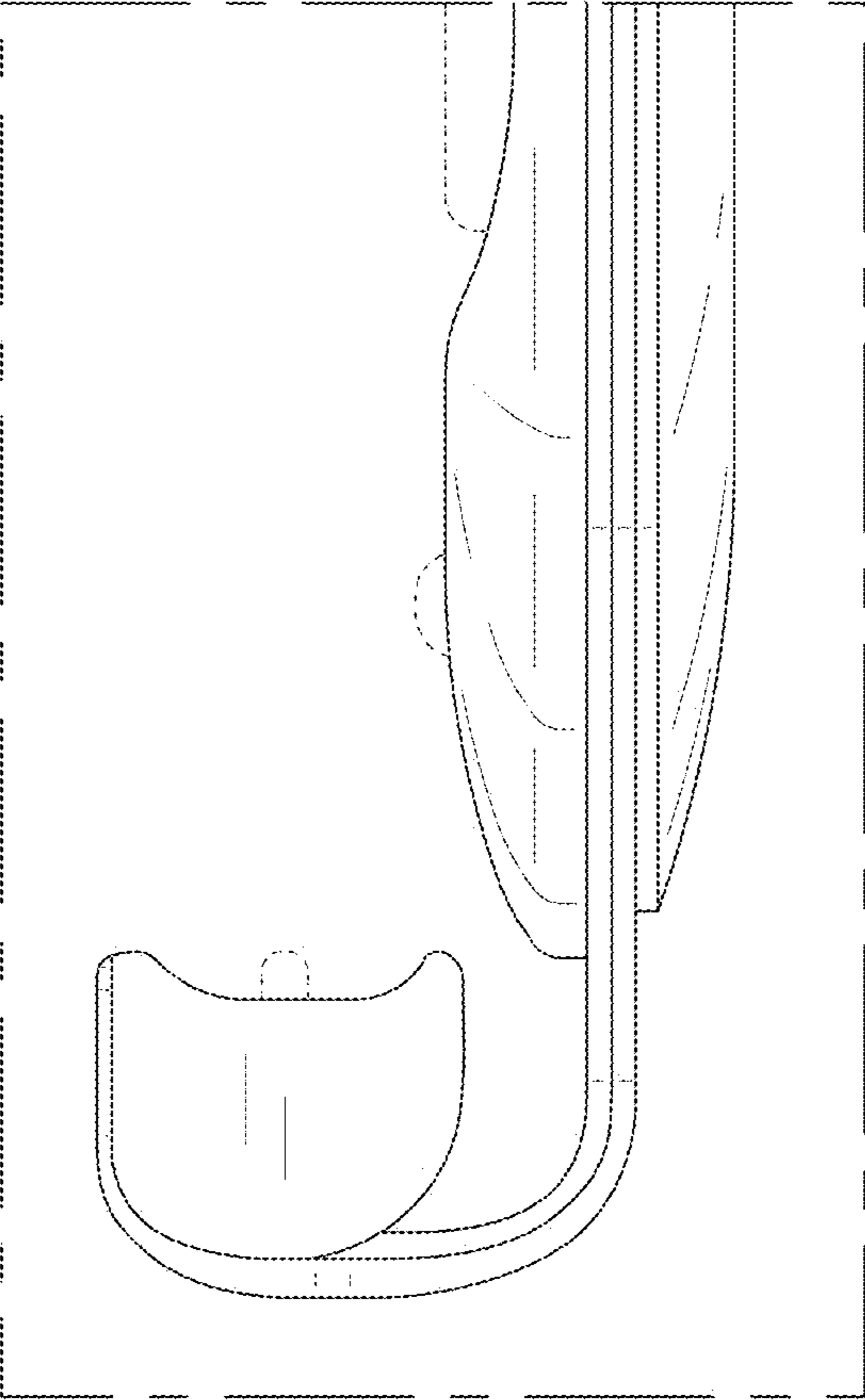


FIG. 10

