



US00D924870S

(12) **United States Design Patent**  
**Zhang**

(10) **Patent No.:** **US D924,870 S**  
(45) **Date of Patent:** **\*\* Jul. 13, 2021**

(54) **SMART BRACELET**

A62C 33/04; B08B 2203/0276; B21C 47/28; H02G 11/02; A01K 89/003;  
(Continued)

(71) Applicant: **SHENZHEN AUKEY SMART INFORMATION TECHNOLOGY CO., LTD.**, Shenzhen (CN)

(56) **References Cited**

(72) Inventor: **Minmin Zhang**, Shenzhen (CN)

U.S. PATENT DOCUMENTS

(73) Assignee: **SHENZHEN AUKEY SMART INFORMATION TECHNOLOGY CO., LTD.**, Shenzhen (CN)

D623,965 S \* 9/2010 Sullivan ..... D10/31  
D645,968 S \* 9/2011 Kasabach ..... D24/186  
(Continued)

(\*\*) Term: **15 Years**

OTHER PUBLICATIONS

(21) Appl. No.: **29/683,390**

Kickstarter:Wearbuds™ | Wireless Earbuds Charged Right on Your Wrist, posted Jun. 20, 2019, [retrieved Apr. 12, 2020]. Retrieved from Internet, <URL: <https://www.kickstarter.com/projects/aipower/wearbuds-unique-on-wrist-charging-hi-fi-earbuds/community> >.\*

(22) Filed: **Mar. 13, 2019**

*Primary Examiner* — Sheryl Lane  
*Assistant Examiner* — Calvin E Vansant

(51) **LOC (13) Cl.** ..... **14-02**

(52) **U.S. Cl.**  
USPC ..... **D14/344**

(57) **CLAIM**

(58) **Field of Classification Search**

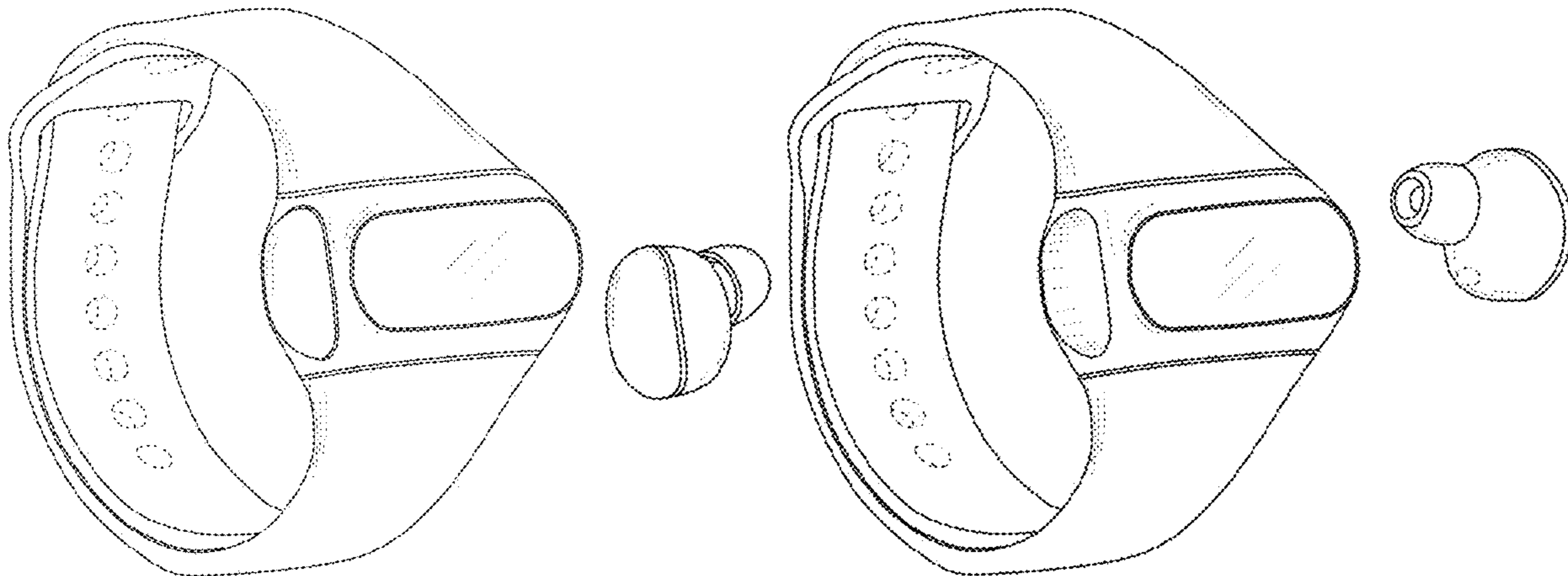
The ornamental design for a smart bracelet, as shown and described.

USPC ..... D08/373, 358, 359, 354, 71, 330, 336, D08/351, 356, 360.1, 363, 364, 367, 370, D08/372, 379, 381, 382, 395, 396; D06/349, 352; D09/426, 502, 750; D10/72, 73, 89; D11/79, 93; D13/103, D13/107; D19/67; D21/673, 674, 675, D21/839, 840; D25/19, 62, 68, 69; D26/40, 49; D29/122, 124; D30/153, D30/155; D12/162; D34/24, 26; D3/10  
CPC ..... B65H 75/40; B65H 75/4407; B65H 75/4471; B65H 2701/34; B65H 2701/32; B65H 2511/142; B65H 29/008; B65H 2701/33; B65H 54/585; B65H 51/22; B65H 75/08; B65H 75/02; B65H 2301/41485; B65H 75/4468; B65H 2301/414323; B65H 2301/414325; B65H 16/02; B65H 2301/4131; B65H 75/403; B65H 75/441; B65D 85/66; B65D 85/67; B66D 3/006; B66D 3/18; B66D 3/26; B66D 3/02; B66D 3/14; B63B 21/18; B63B 21/26; B65B 57/005; A61G 7/1051; A61G 7/1061; B66B 11/08;

**DESCRIPTION**

FIG. 1 is a perspective view of a smart bracelet showing my design;  
FIG. 2 is a front view thereof;  
FIG. 3 is a back view thereof;  
FIG. 4 is a left side view thereof;  
FIG. 5 is a right side view thereof;  
FIG. 6 is a top view thereof;  
FIG. 7 is a bottom view thereof;  
FIG. 8 is a perspective view of another state of the smart bracelet; and,  
FIG. 9 is a perspective view of another state of the smart bracelet.  
The broken lines shown in the drawings depict portions of the smart bracelet in which the design is embodied that form no part of the claimed design.

**1 Claim, 9 Drawing Sheets**



(58) **Field of Classification Search**

CPC ..... H04M 1/15; A01D 34/822; A47L 9/26;  
H04R 1/1033; Y10S 24/909; E05C 19/10;  
E05C 17/50; E05C 3/045; E05C 3/30;  
E05C 19/02; E05C 19/026; A47G  
25/0614; A47G 25/18; A47G 25/32;  
A47G 7/047; A47G 7/045; A47G 7/042;  
A47G 7/044; F16B 12/44; F16B 12/46;  
F16B 5/0614; F16B 12/02; E04B 1/2612;  
E04B 2001/2415; E04B 1/5818; E04B  
1/5831; A47B 88/0055; E04F 11/1812;  
F16L 1/0246; A01G 9/024; A01G 25/14;  
A01G 27/001; A01G 9/042; A01G  
27/005; A01G 31/001; A01G 9/02; A01G  
9/083; A01G 9/12; B60D 1/185; B60P  
7/083; B60P 7/0853; B60P 7/0823; Y10T  
24/2175; Y10T 24/2164

See application file for complete search history.

(56) **References Cited**

U.S. PATENT DOCUMENTS

D770,321 S \* 11/2016 Murphy ..... D11/3  
D800,110 S \* 10/2017 Kim ..... D14/344  
D812,497 S \* 3/2018 Kogen ..... D10/32  
D843,997 S \* 3/2019 Yu ..... D14/344  
D860,818 S \* 9/2019 Viry ..... D10/32

\* cited by examiner

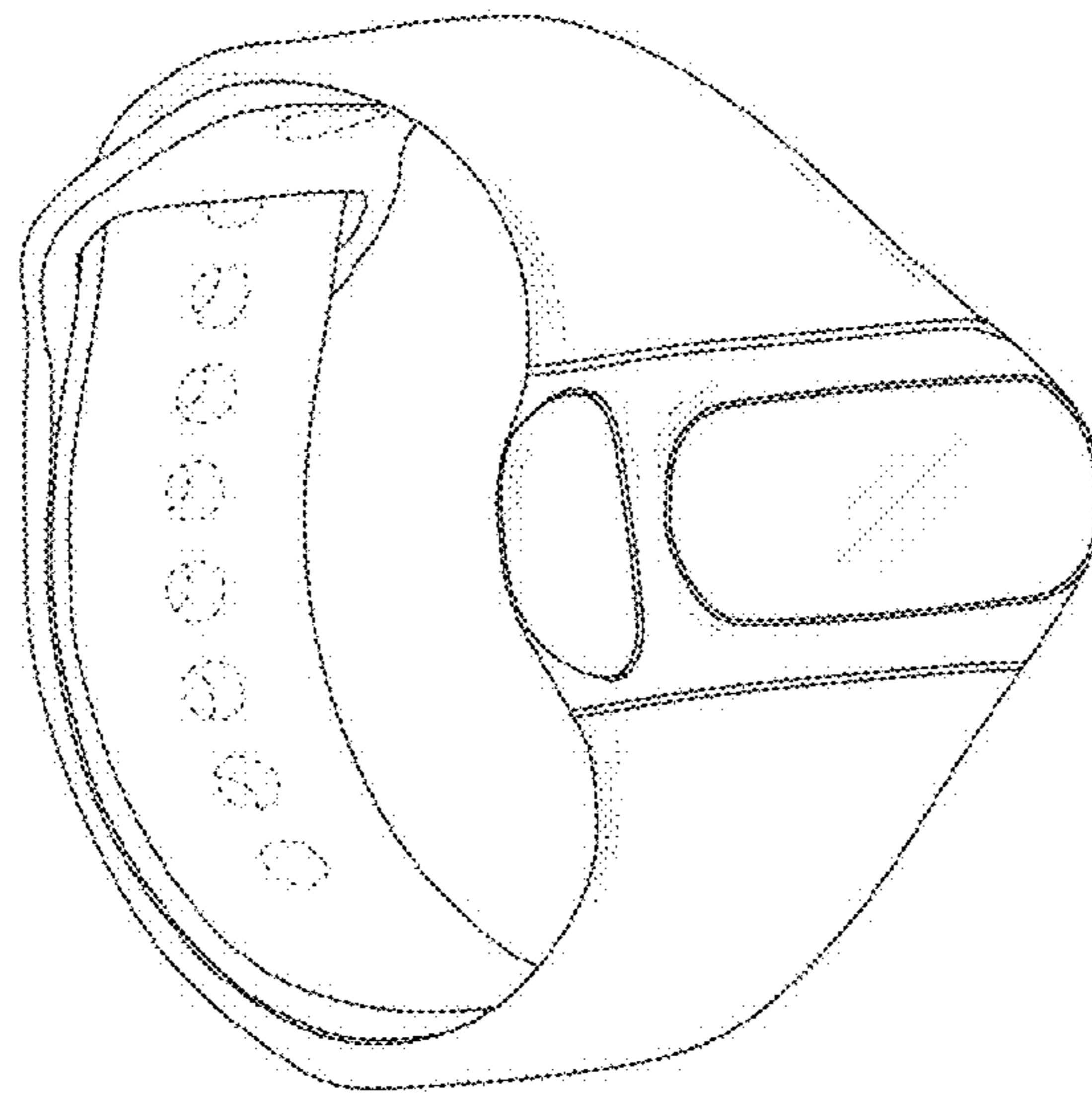


FIG. 1

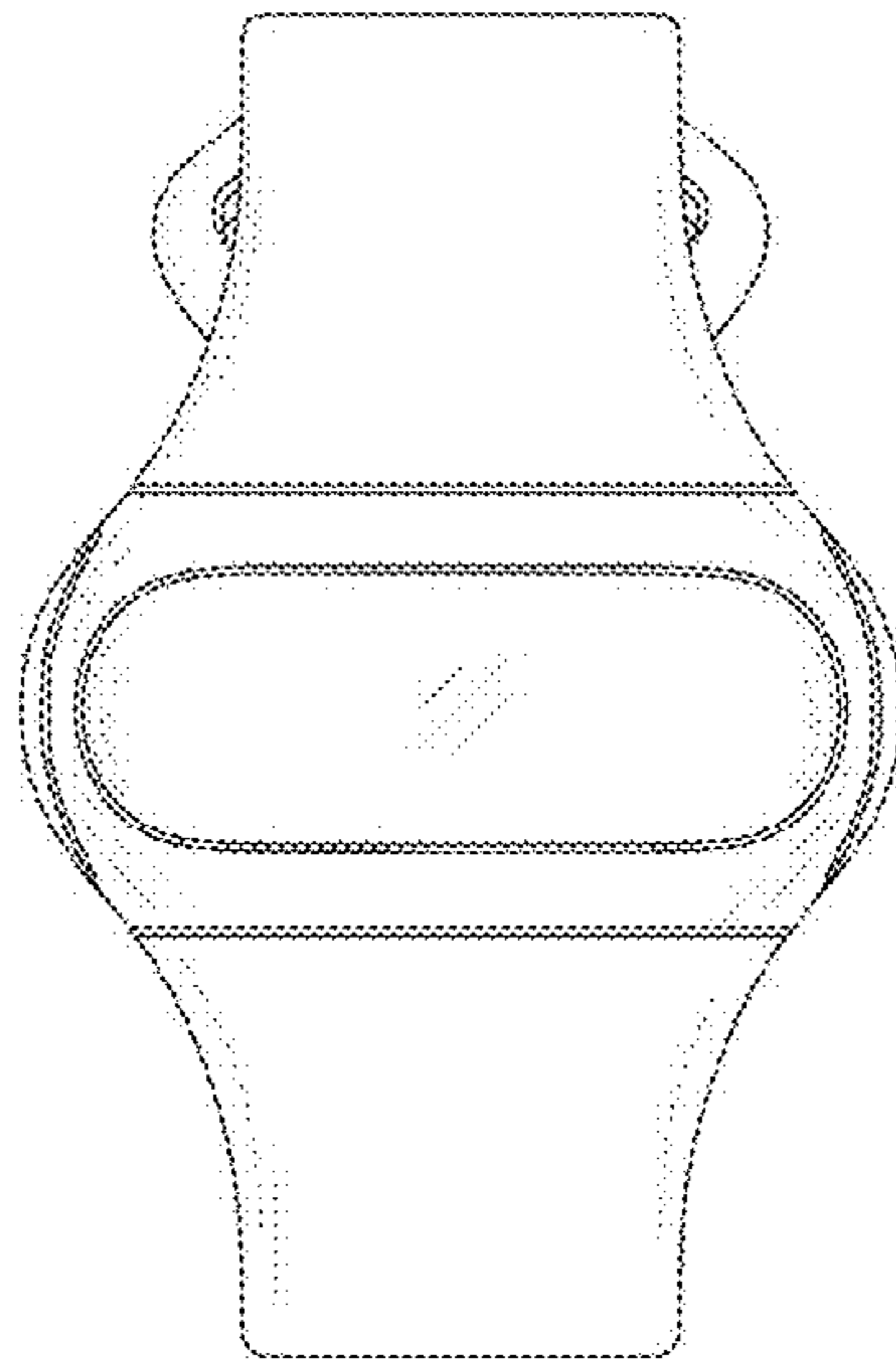


FIG. 2

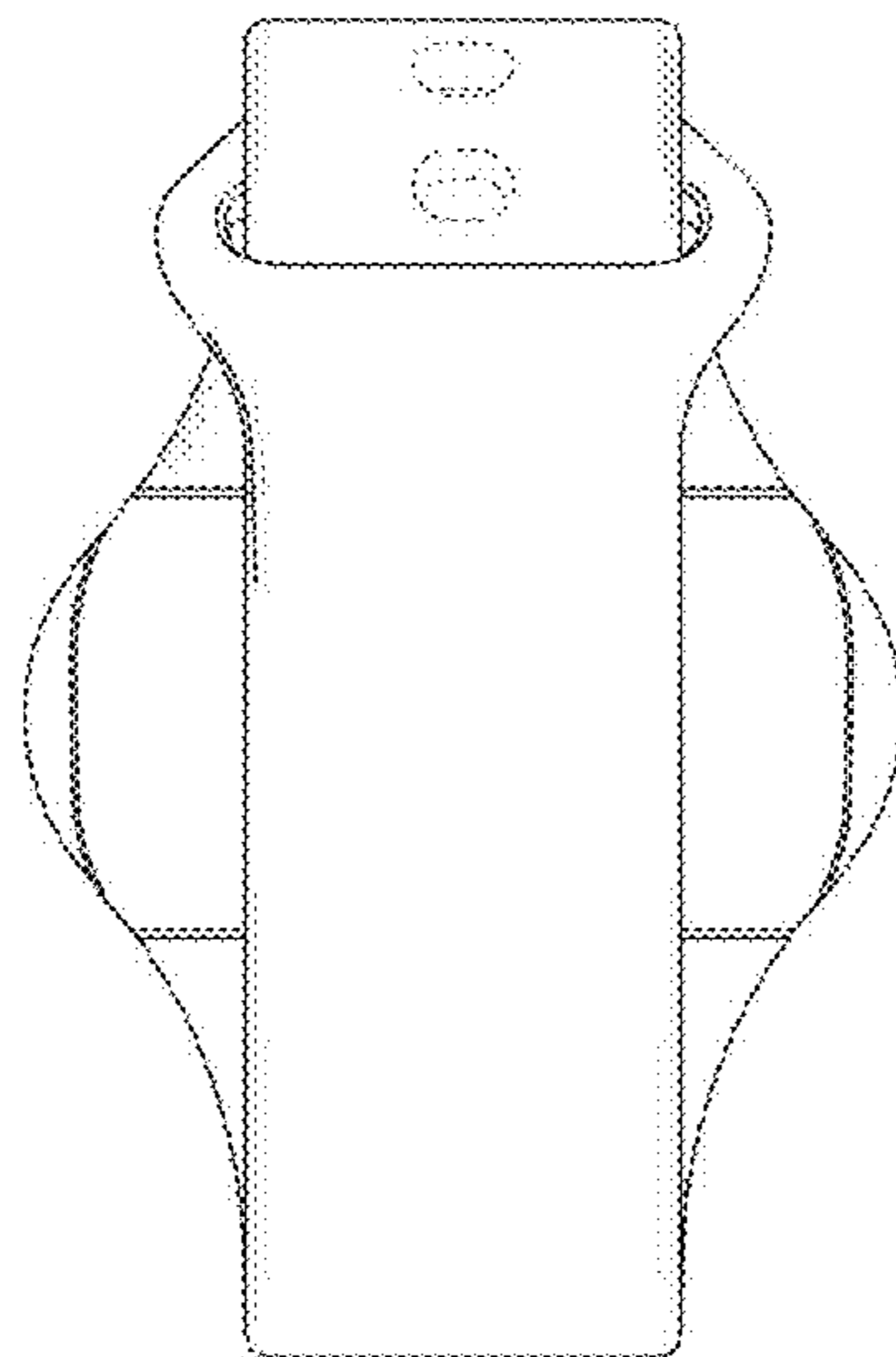


FIG. 3

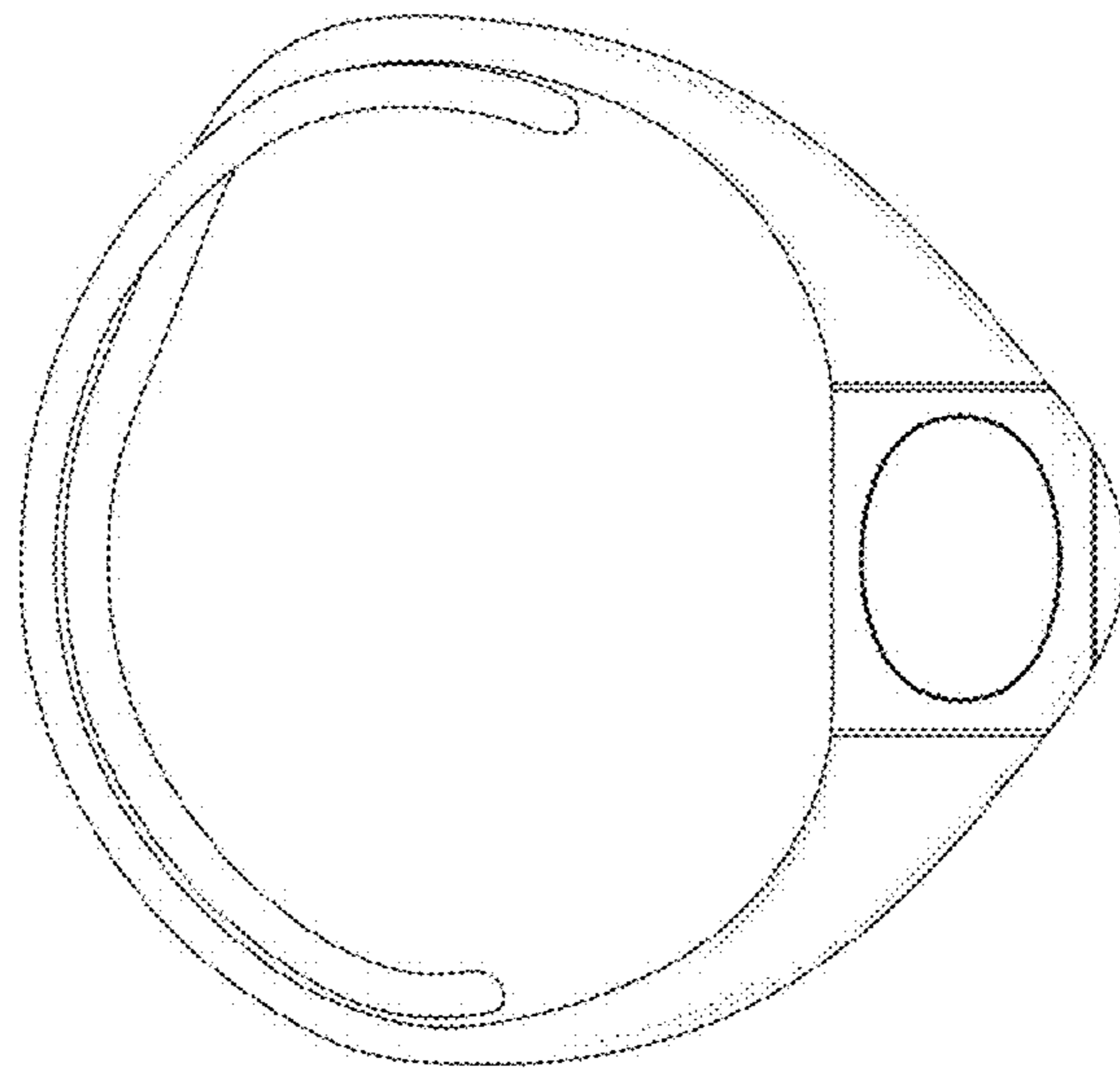


FIG. 4

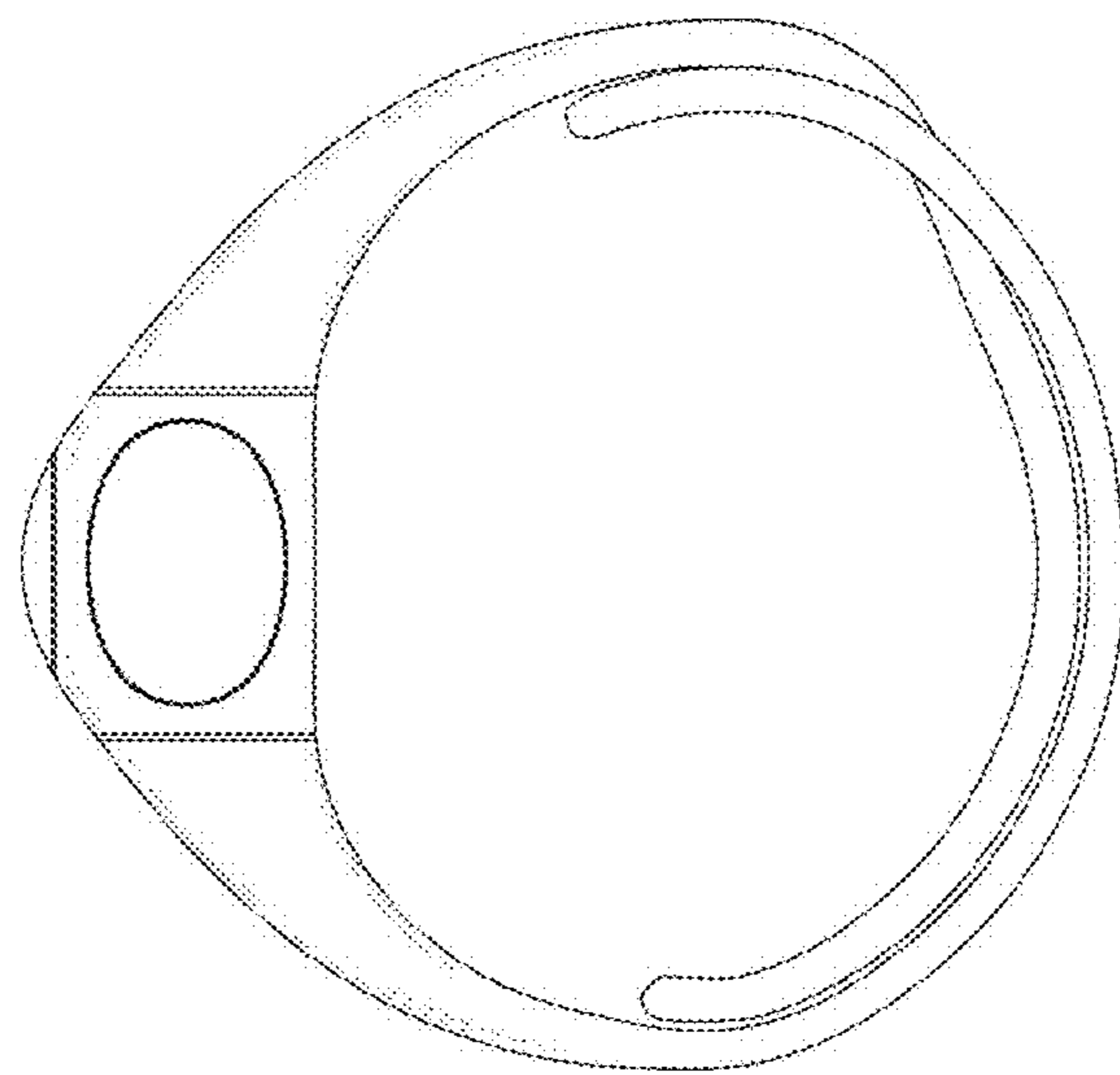


FIG. 5

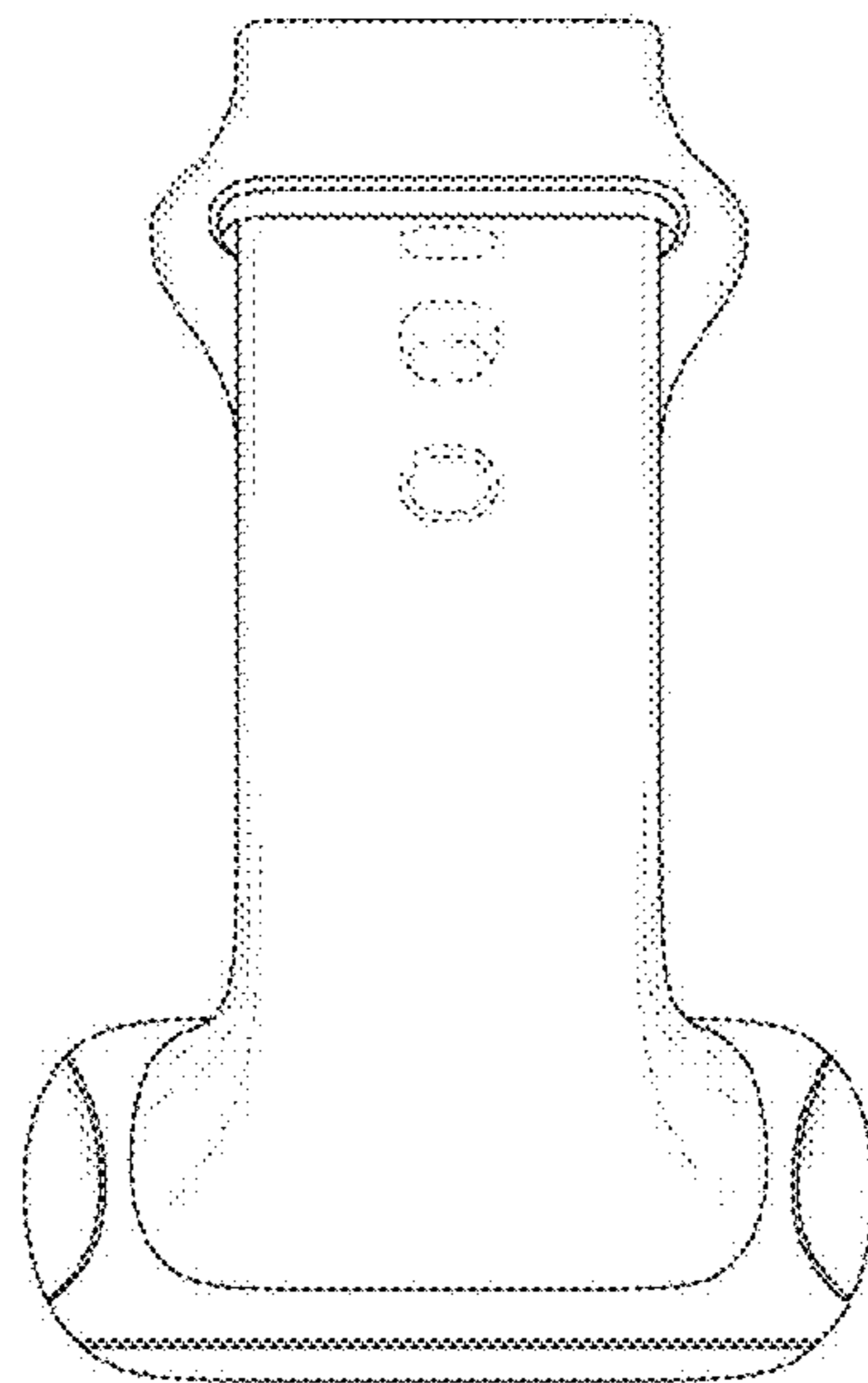


FIG. 6



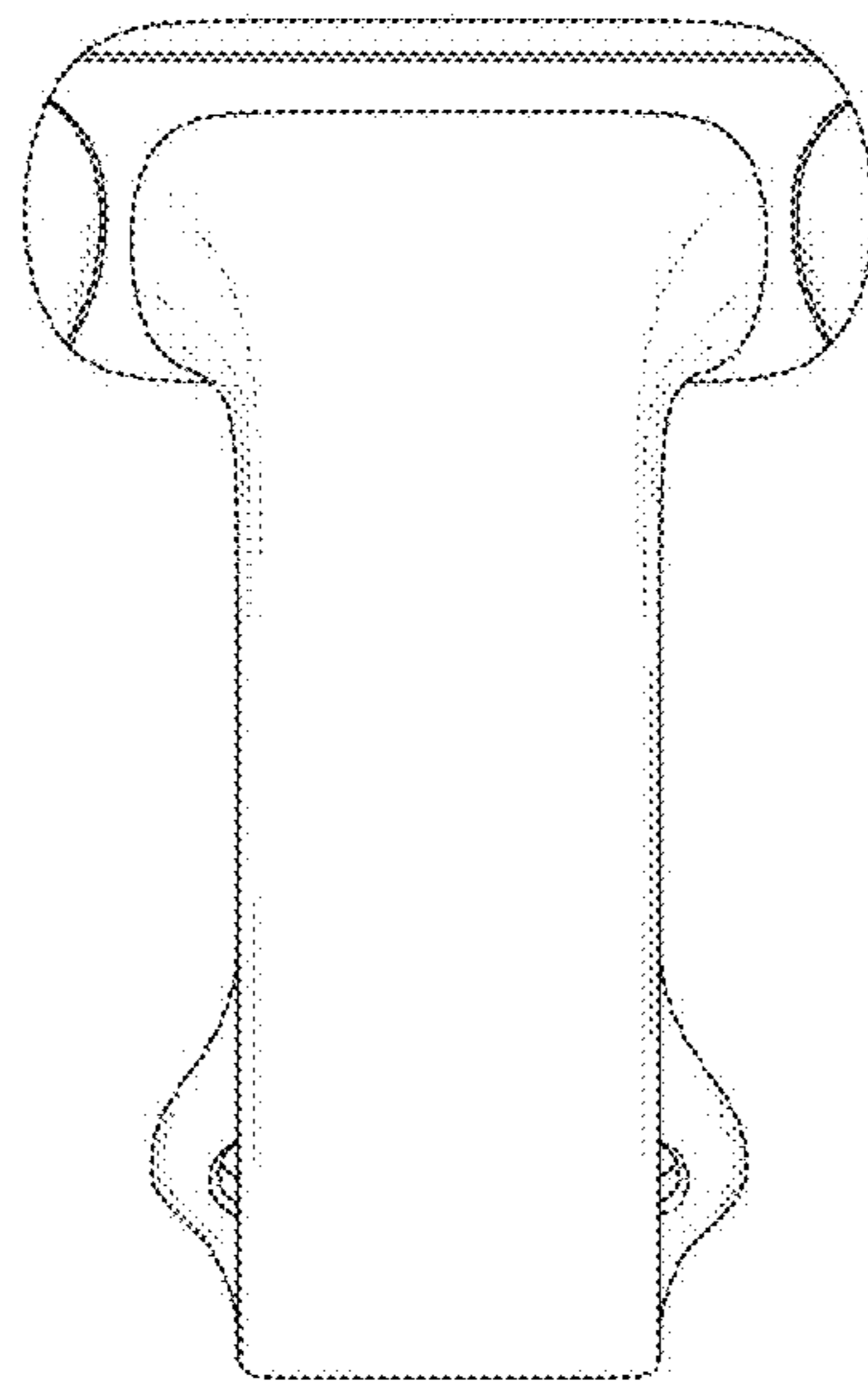


FIG. 7

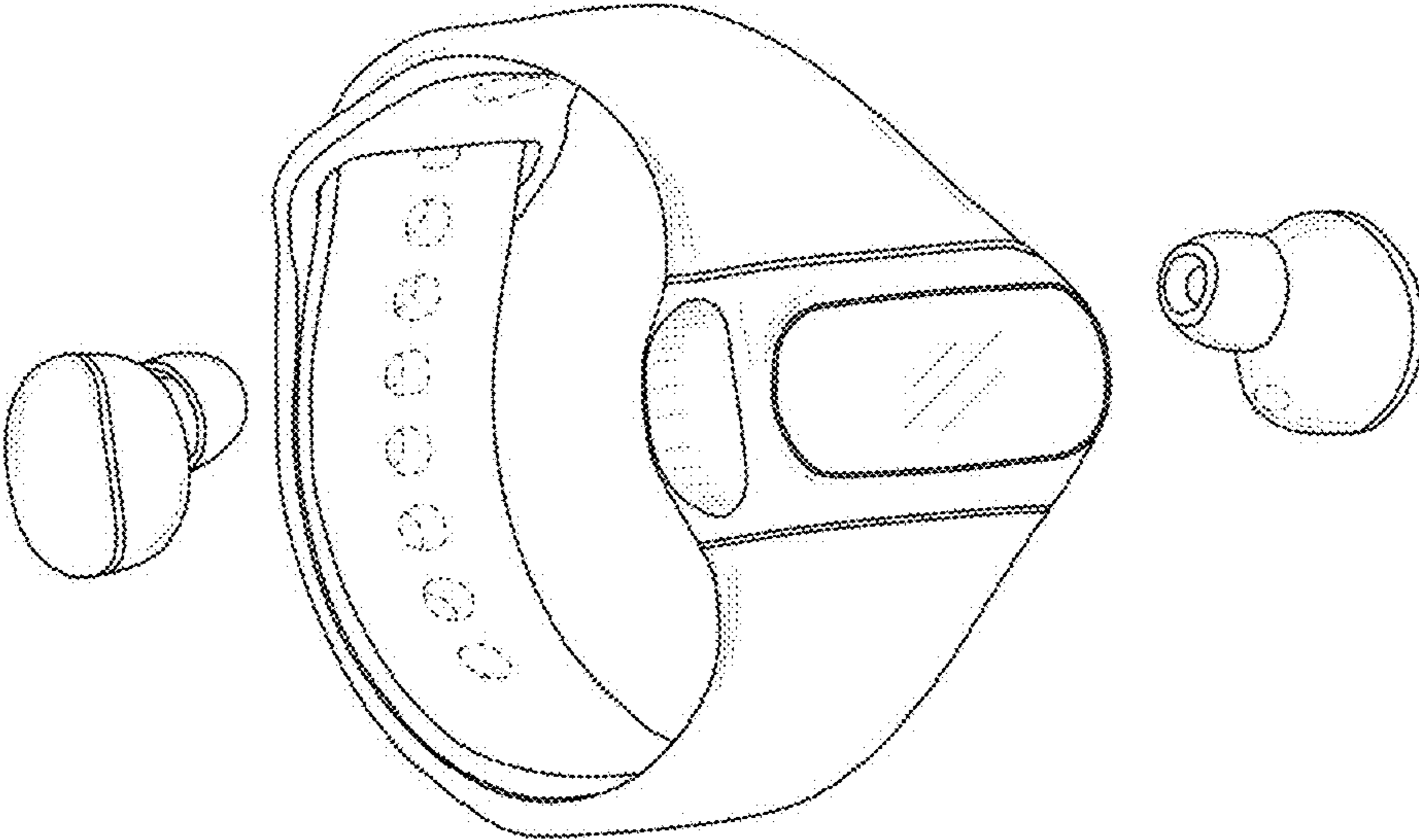


FIG. 8

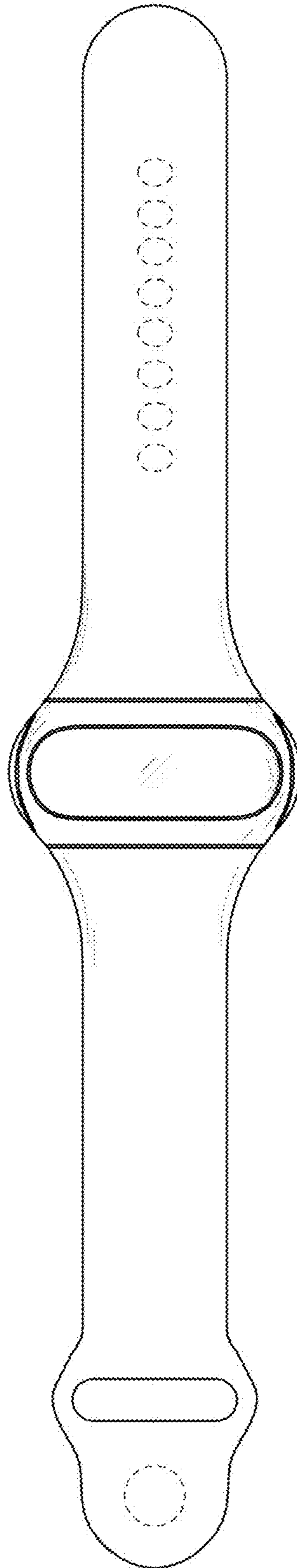


FIG. 9