



US00D924869S

(12) **United States Design Patent**  
**Yang**

(10) **Patent No.:** **US D924,869 S**  
(45) **Date of Patent:** **\*\* Jul. 13, 2021**

(54) **ELECTRONIC TENT CARD WITH FLEXIBLE DISPLAY**

G06F 3/04886; H04M 1/725; H04M 1/0202; H04M 1/0266

See application file for complete search history.

(71) Applicant: **SHENZHEN ROYOLE TECHNOLOGIES CO. LTD.**,  
Guangdong (CN)

(56) **References Cited**

U.S. PATENT DOCUMENTS

4,607,817 A \* 8/1986 Aquino ..... A47B 23/044  
206/214  
D289,291 S \* 4/1987 Kapper ..... D14/389  
D303,111 S \* 8/1989 Paley ..... D14/374

(Continued)

(72) Inventor: **Ying Yang**, Guangdong (CN)

(73) Assignee: **SHENZHEN ROYOLE TECHNOLOGIES CO., LTD.**,  
Shenzhen (CN)

FOREIGN PATENT DOCUMENTS

CN 305232153 \* 6/2019  
CN 305498627 \* 12/2019

(Continued)

(\*\*) Term: **15 Years**

(21) Appl. No.: **29/687,066**

OTHER PUBLICATIONS

(22) Filed: **Apr. 10, 2019**

Royole Starts Mass Producing Fully Flexible Displays In Shenzhen, Jun. 7, 2018 [online], [retrieved Dec. 11, 2020], Retrieved from Internet, URL: <<https://www.chinamoneynetwork.com/2018/06/07/royole-starts-mass-producing-fully-flexible-displays-in-shenzhen>> (Year: 2018).\*

(30) **Foreign Application Priority Data**

Oct. 24, 2018 (CN) ..... 201830594837.2

(51) **LOC (13) Cl.** ..... **14-02**

*Primary Examiner* — Barbara Fox

*Assistant Examiner* — Aram Kwon

(52) **U.S. Cl.**

(74) *Attorney, Agent, or Firm* — Hauptman Ham, LLP

USPC ..... **D14/341**; D20/15

(58) **Field of Classification Search**

(57) **CLAIM**

The ornamental design for an electronic tent card with flexible display, as shown and described.

USPC ..... D14/129–130, 137, 138 AA, 138 AB, D14/138 AC, 138 AD, 138 C, 138 G, D14/138 R, 147, 203.3–203.8, 218, 240, D14/247, 248, 315–318, 341–347, 371, D14/374, 388–389, 420, 426, 496; D6/308, 310; D10/50, 65, 104.1; D18/6–7; D19/26, 59–60; D21/324, D21/329–330, 332; D20/15  
CPC .... G06F 1/1613; G06F 1/1626; G06F 3/0488;

**DESCRIPTION**

FIG. 1 is a front view of an electronic tent card with flexible display showing the new design;  
FIG. 2 is a rear view thereof;  
FIG. 3 is a left side view thereof;  
FIG. 4 is a right side view thereof;  
FIG. 5 is a top side view thereof;  
FIG. 6 is a bottom side view thereof; and,

(Continued)

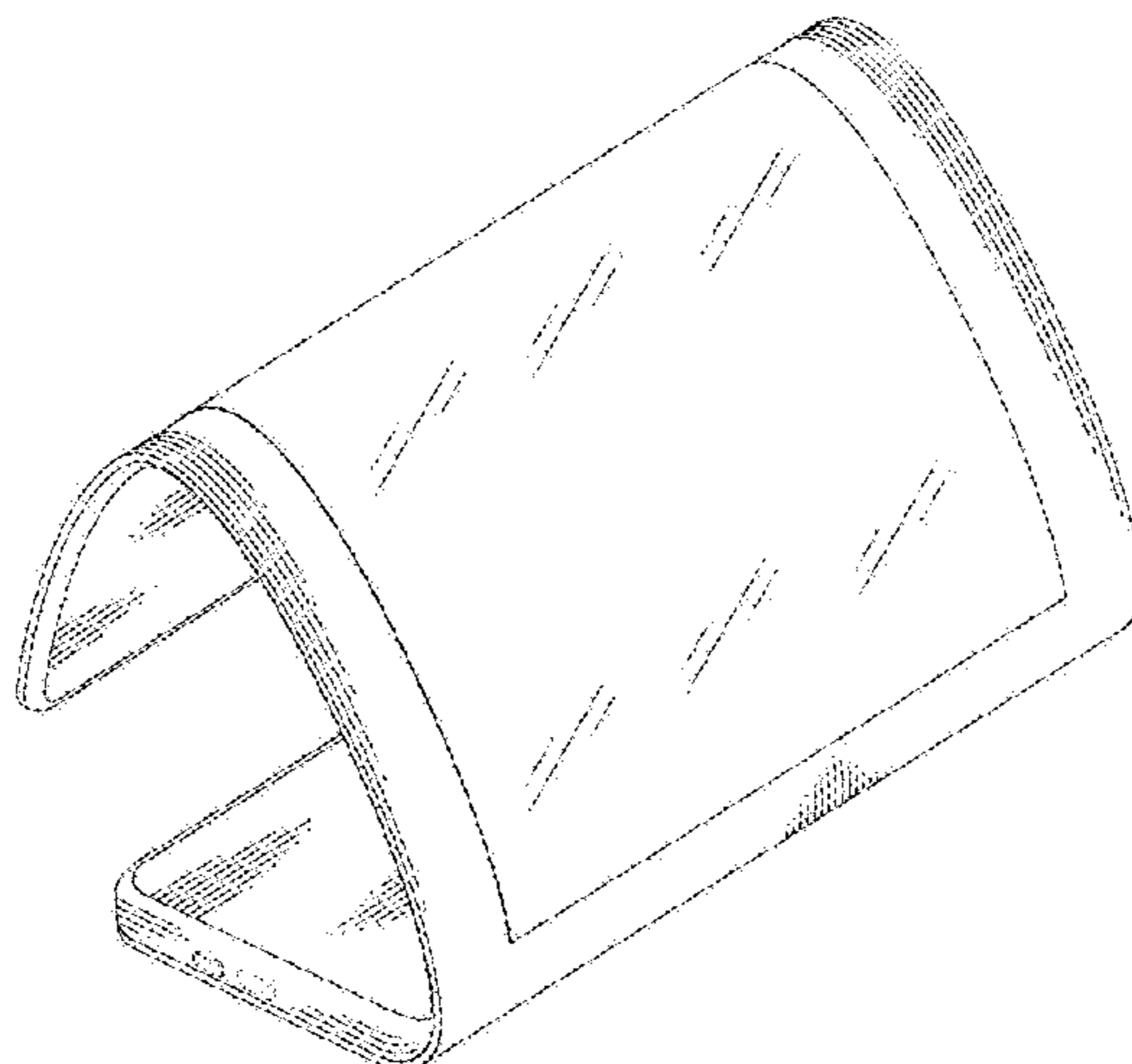


FIG. 7 is a perspective view of front top and left side thereof. The shade lines in the Figures show contour and not surface ornamentation, the broken lines in the Figures show portions of the electronic tent card with flexible display and form no part of the claimed design.

**1 Claim, 5 Drawing Sheets**

(56)

**References Cited**

**U.S. PATENT DOCUMENTS**

D309,840 S \* 8/1990 Estvold ..... D6/534  
D320,622 S \* 10/1991 Yasika ..... D20/18  
D354,774 S \* 1/1995 Orsos ..... D20/15  
D370,355 S \* 6/1996 Kenney ..... D6/310  
D408,383 S \* 4/1999 Carter ..... D14/126  
D573,656 S \* 7/2008 Wamsley ..... D20/43  
D652,420 S \* 1/2012 Chiu ..... D14/371

D667,831 S \* 9/2012 Stravitz ..... D14/447  
D691,818 S \* 10/2013 Shibata ..... D6/308  
D698,784 S \* 2/2014 Kim ..... D14/341  
D847,269 S \* 4/2019 Leung ..... D21/470  
D856,410 S \* 8/2019 Lee ..... D18/4.4  
D874,587 S \* 2/2020 Cunningham ..... D21/699  
D878,826 S \* 3/2020 Smith ..... D6/672  
D893,866 S \* 8/2020 Xiao ..... D3/243  
D899,383 S \* 10/2020 Dimberg ..... D13/168  
D900,814 S \* 11/2020 Lee ..... D14/371  
2014/0098040 A1 \* 4/2014 Kwon ..... G06F 3/0421  
345/173  
2016/0246558 A1 \* 8/2016 Prushinskiy ..... G06F 1/3218  
2016/0270208 A1 \* 9/2016 Bostick ..... H05K 5/0217  
2020/0328145 A1 \* 10/2020 Chang ..... G09F 9/30  
2020/0341516 A1 \* 10/2020 Huang ..... H01L 27/1244

**FOREIGN PATENT DOCUMENTS**

CN 305671610 \* 3/2020  
CN 305791190 \* 5/2020

\* cited by examiner

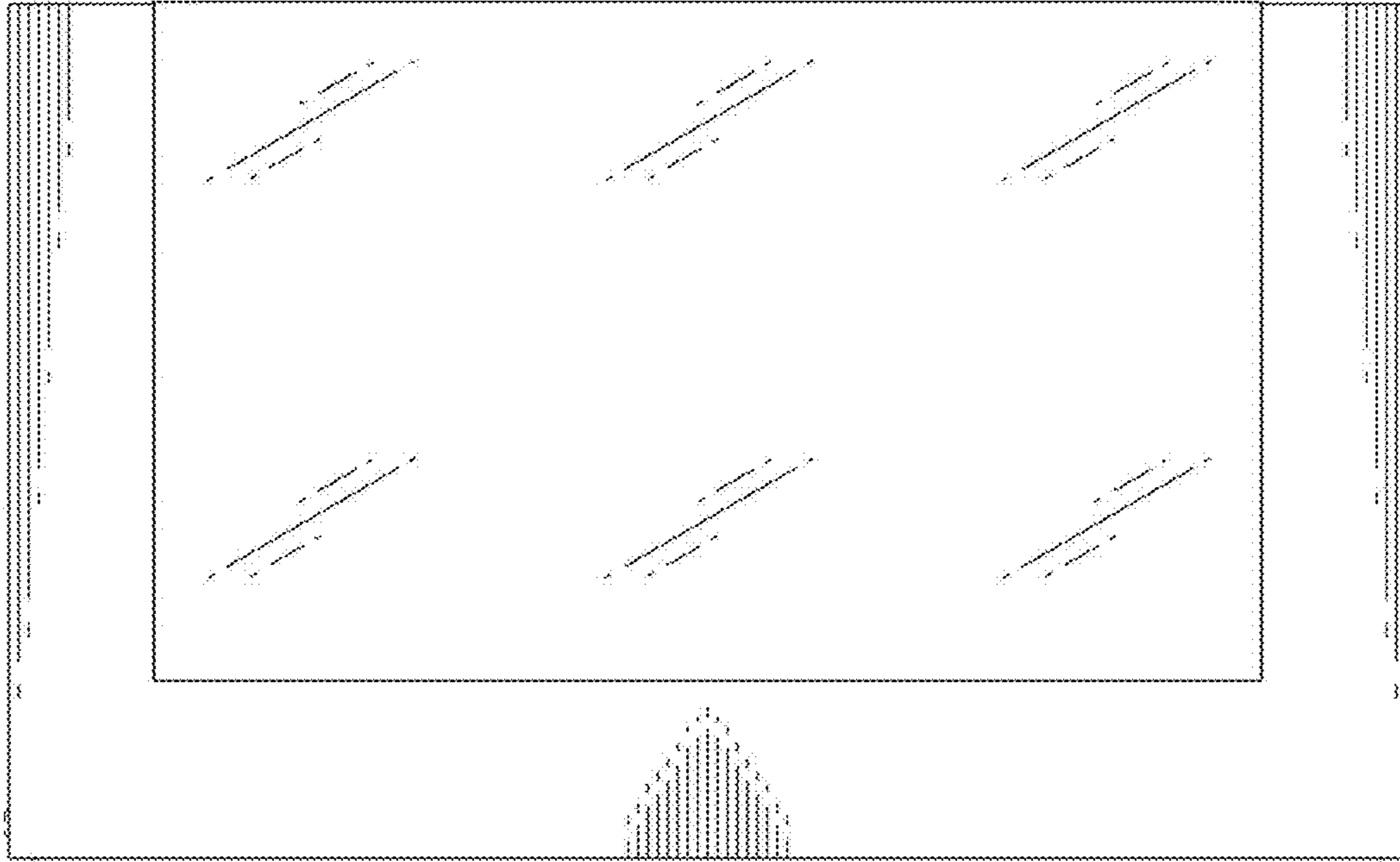


FIG. 1

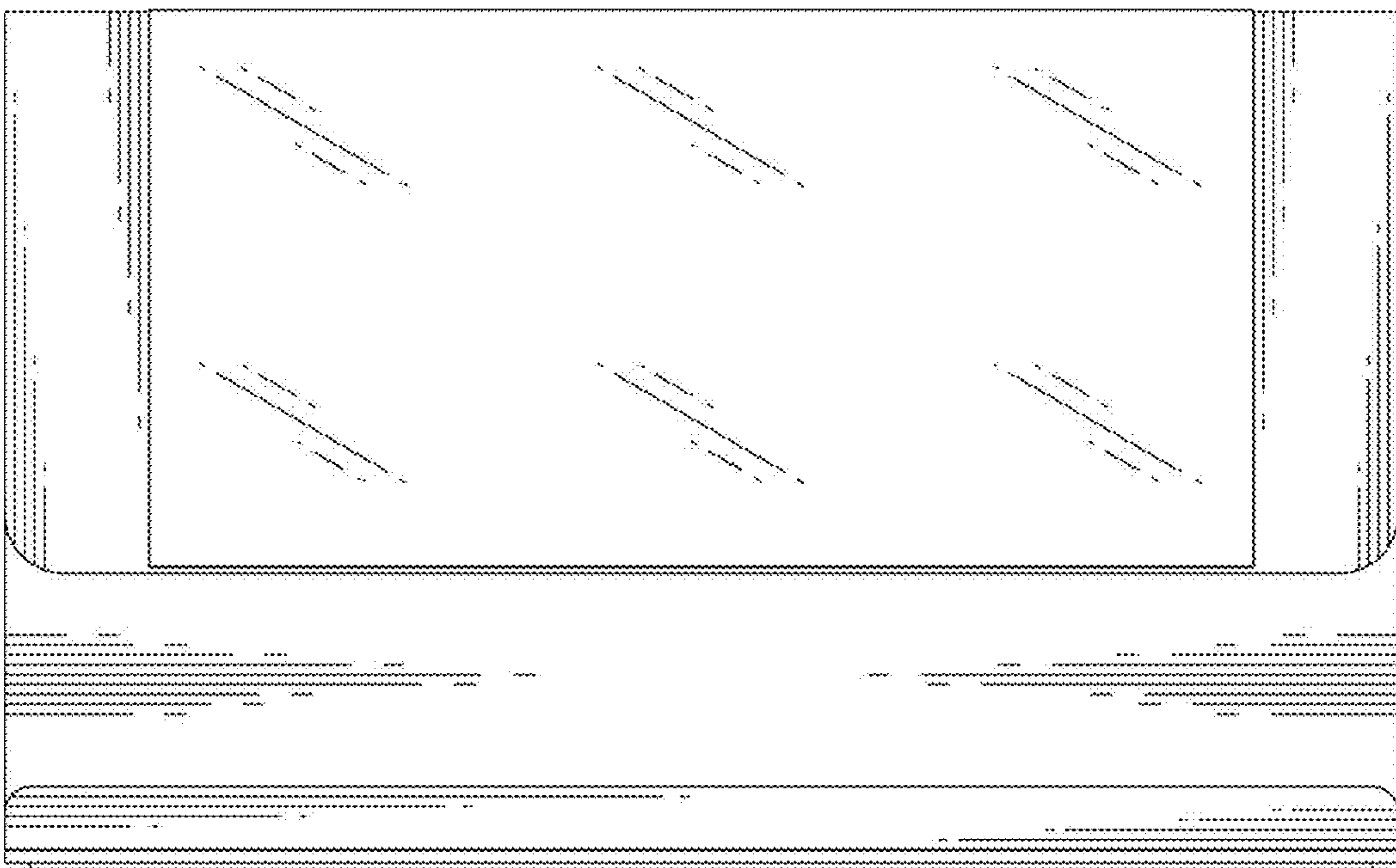


FIG. 2

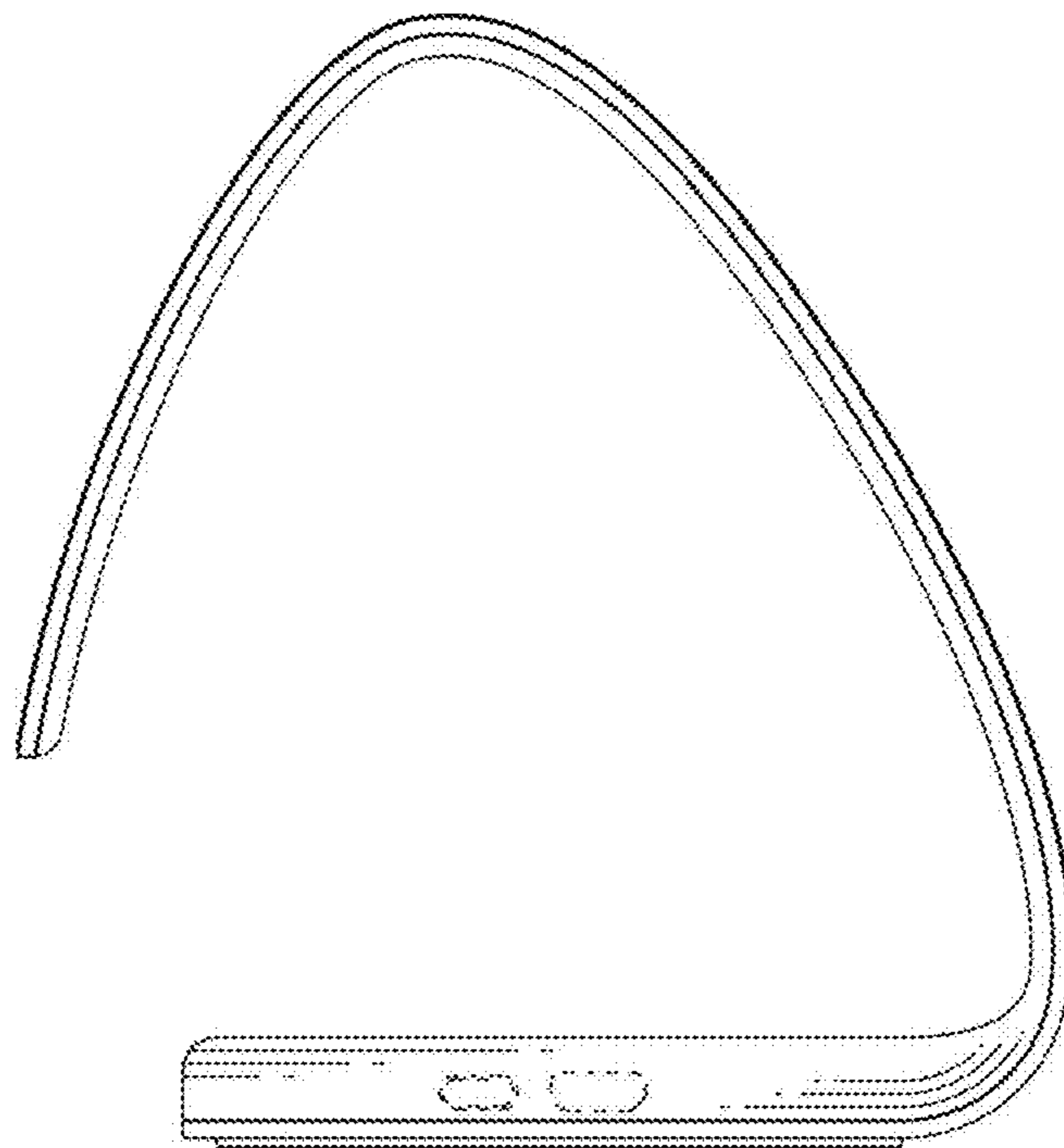


FIG. 3

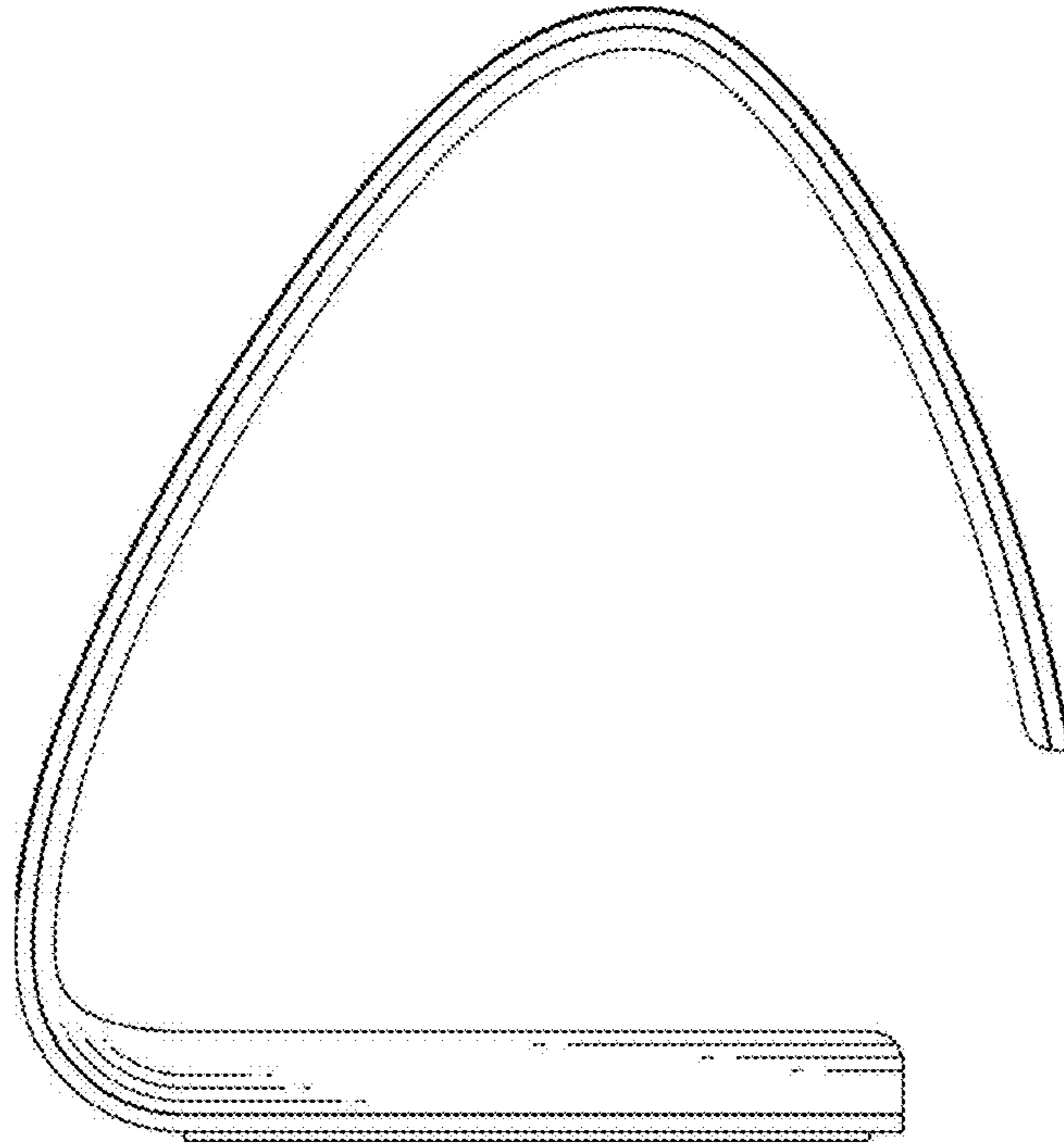


FIG. 4

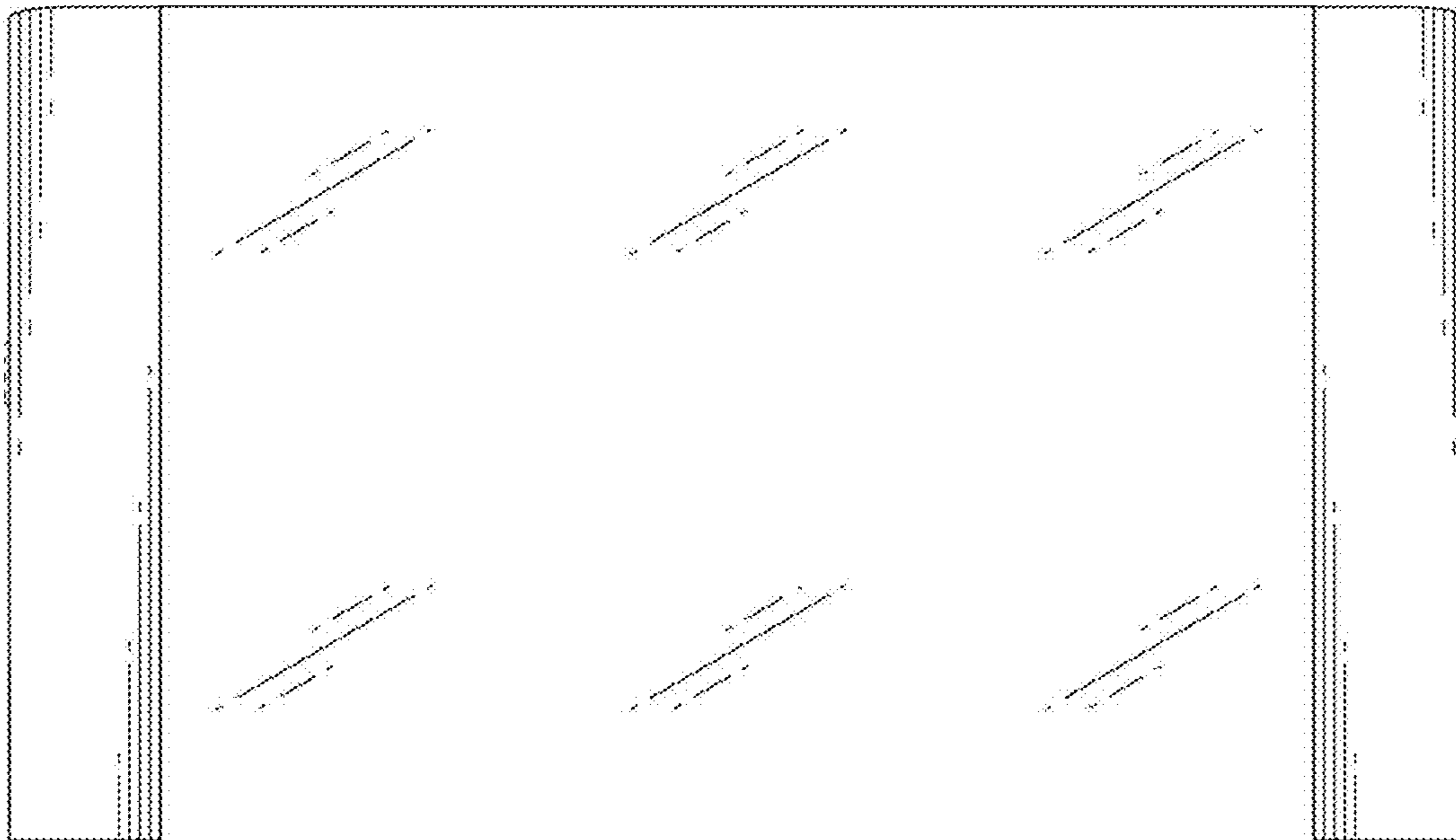


FIG. 5

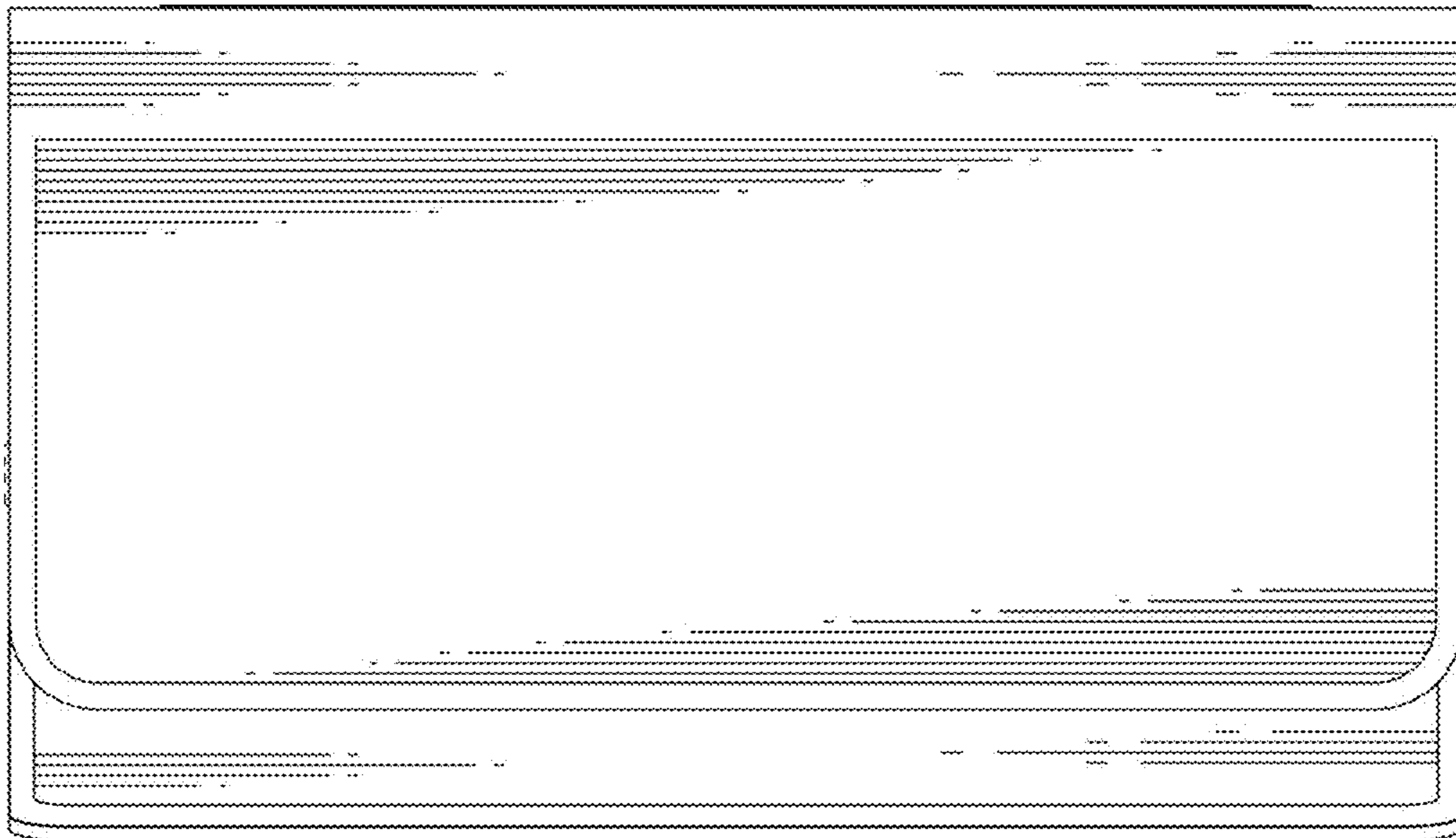


FIG. 6

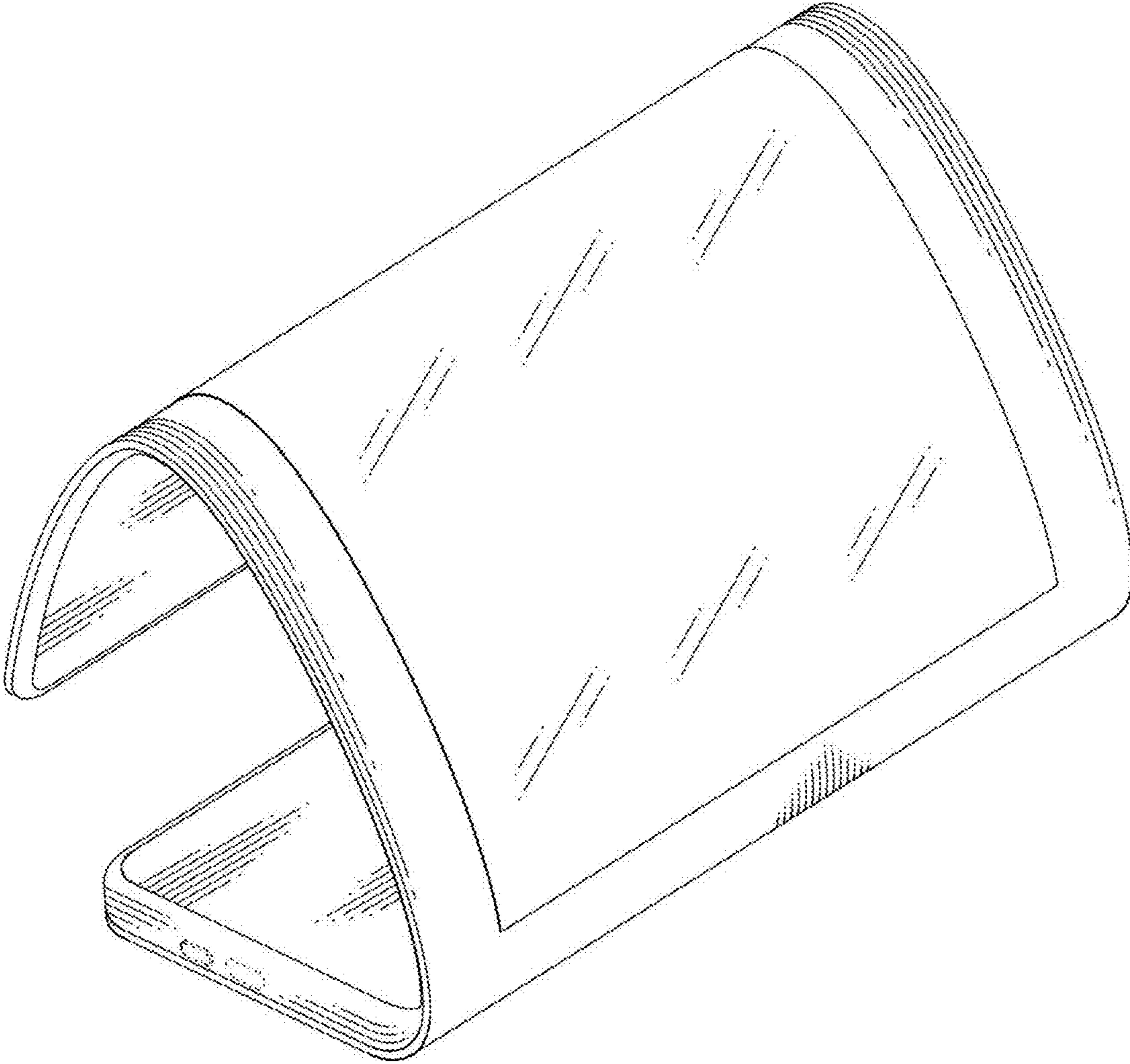


FIG. 7