



US00D924868S

(12) **United States Design Patent** (10) **Patent No.:** **US D924,868 S**
Akana et al. (45) **Date of Patent:** **** Jul. 13, 2021**

(54) **ELECTRONIC DEVICE**

(71) Applicant: **Apple Inc.**, Cupertino, CA (US)

(72) Inventors: **Jody Akana**, San Francisco, CA (US); **Molly Anderson**, San Francisco, CA (US); **Bartley K. Andre**, Palo Alto, CA (US); **Shota Aoyagi**, San Francisco, CA (US); **Anthony Michael Ashcroft**, San Francisco, CA (US); **Marine C. Bataille**, San Francisco, CA (US); **Jeremy Bataillou**, San Francisco, CA (US); **Markus Diebel**, San Francisco, CA (US); **M. Evans Hankey**, San Francisco, CA (US); **Julian Hoenig**, San Francisco, CA (US); **Richard P. Howarth**, San Francisco, CA (US); **Jonathan P. Ive**, San Francisco, CA (US); **Julian Jaede**, San Francisco, CA (US); **Duncan Robert Kerr**, San Francisco, CA (US); **Peter Russell-Clarke**, San Francisco, CA (US); **Benjamin Andrew Shaffer**, San Jose, CA (US); **Mikael Silvanto**, San Francisco, CA (US); **Sung-Ho Tan**, San Francisco, CA (US); **Clement Tissandier**, San Francisco, CA (US); **Eugene Antony Whang**, San Francisco, CA (US); **Rico Zörkendörfer**, San Francisco, CA (US)

(73) Assignee: **Apple Inc.**, Cupertino, CA (US)

(**) Term: **15 Years**

(21) Appl. No.: **29/645,082**

(22) Filed: **Apr. 23, 2018**

(51) **LOC (13) Cl.** **14-03**

(52) **U.S. Cl.**
USPC **D14/341; D14/248; D14/138 C**

(58) **Field of Classification Search**
USPC D14/315–318, 341–347, 420, 426, 240, D14/129–130, 496, 137, 138 R, 138 AA,
(Continued)

(56) **References Cited**

U.S. PATENT DOCUMENTS

D85,176 S 9/1931 Arthur
2,424,630 A 7/1947 Perez
(Continued)

FOREIGN PATENT DOCUMENTS

AU 315078 7/2007
AU 346128 S 1/2013
(Continued)

OTHER PUBLICATIONS

The 2019 iPhone X Models!, announced Aug. 7, 2018 [online], [retrieved Mar. 15, 2021]. Available from Internet, URL: <https://www.youtube.com/watch?v=0sXvuUrJa0o> (Year: 2018).*
(Continued)

Primary Examiner — Dana K Weiland
(74) *Attorney, Agent, or Firm* — Sterne, Kessler, Goldstein & Fox P.L.L.C.

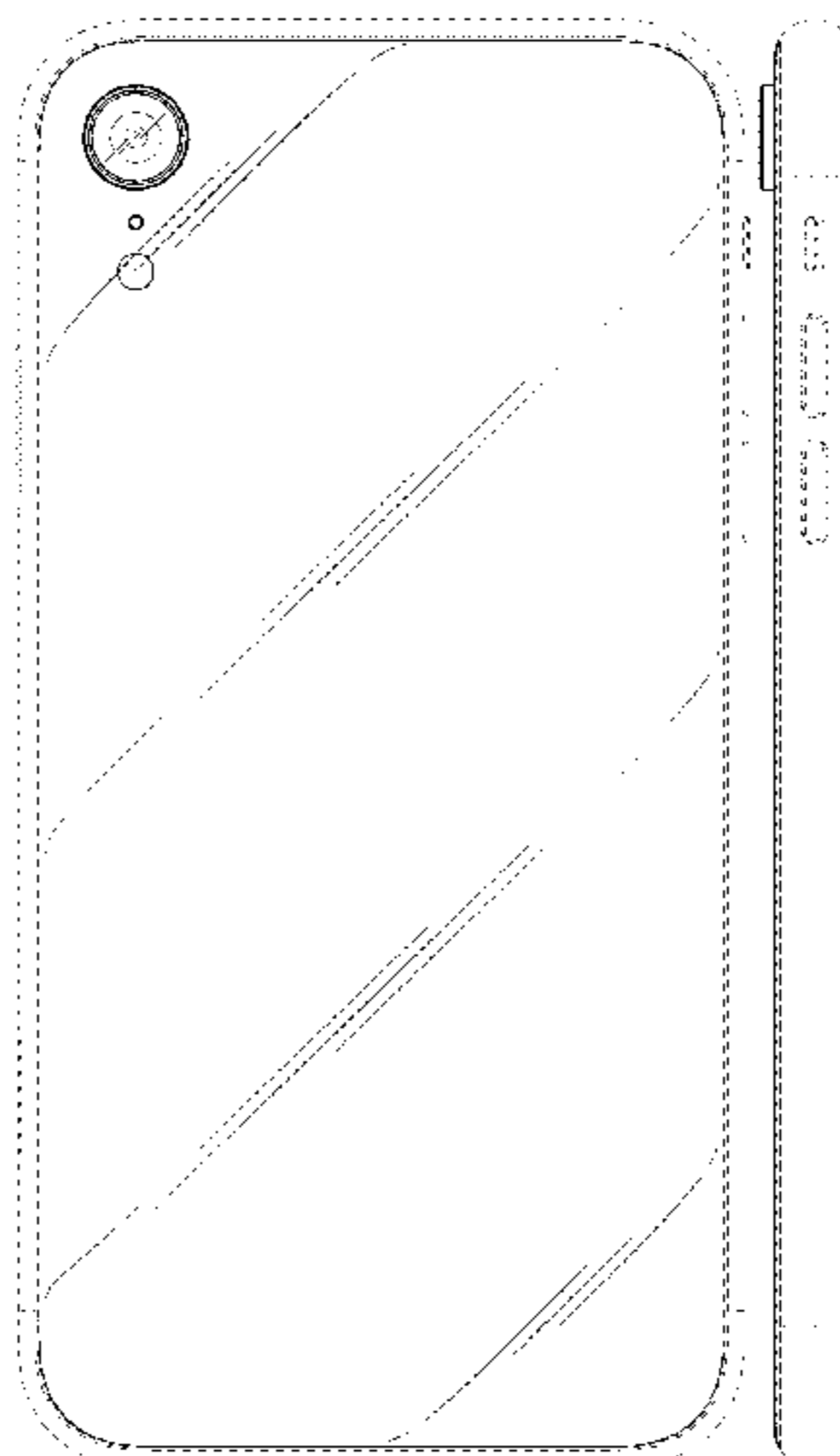
(57) **CLAIM**

The ornamental design for an electronic device, as shown and described.

DESCRIPTION

FIG. 1 is a bottom front perspective view of an electronic device showing the claimed design;
FIG. 2 is top rear perspective view of thereof;
FIG. 3 is a front view thereof;
FIG. 4 is a rear view thereof;
FIG. 5 is a left side view thereof;
FIG. 6 is a right side view thereof;
FIG. 7 is a top view thereof; and,
FIG. 8 is a bottom view thereof.
The broken lines in the figures show portions of the electronic device that form no part of the claimed design.

1 Claim, 6 Drawing Sheets



(58) **Field of Classification Search**
 USPC D14/138 AB, 138 AC, 138 AD, 138 C,
 D14/138 G, 147, 203.1–203.8, 218, 247,
 D14/371, 248, 388–389, 374, 429, 453;
 D10/104.1, 50, 65; D21/324, 329, 330,
 D21/332
 CPC G06F 1/1626; G06F 1/1613; G06F 3/0488;
 G06F 3/04886; G06F 3/041; G06F
 3/0412; G06F 3/0416; H04M 1/725;
 H04M 1/0202; H04M 1/0266
 See application file for complete search history.

(56) **References Cited**
 U.S. PATENT DOCUMENTS

3,269,588 A 8/1966 Ruekberg et al.
 3,465,906 A 9/1969 Wagner et al.
 D262,151 S 12/1981 Sussman
 D265,326 S 7/1982 Sugiyama
 D270,061 S 8/1983 Ackeret
 D270,062 S 8/1983 Ackeret
 D270,063 S 8/1983 Ackeret
 D270,066 S 8/1983 Ackeret
 D273,113 S 3/1984 Russell
 D278,276 S 4/1985 Bakic
 D283,595 S 4/1986 Fortuna
 D284,084 S 6/1986 Ferrara
 D289,873 S 5/1987 Gemmell et al.
 D306,583 S 3/1990 Krolopp et al.
 D308,055 S 5/1990 Tedham et al.
 D317,609 S 6/1991 Wei
 D319,980 S 9/1991 Garner
 D321,215 S 10/1991 Shamis
 D332,328 S 1/1993 Lombardi
 D333,574 S 3/1993 Ackeret
 D337,322 S 7/1993 Yang
 D337,569 S 7/1993 Kando
 D340,701 S 10/1993 Takeuchi
 D340,917 S 11/1993 Sakaguchi et al.
 D345,346 S 3/1994 Alfonso et al.
 D346,589 S 5/1994 Andros
 D346,793 S 5/1994 Iino et al.
 5,345,543 A 9/1994 Capps et al.
 5,398,310 A 3/1995 Tchao et al.
 D357,919 S 5/1995 Tsui
 D359,451 S 6/1995 Dees
 D361,552 S 8/1995 Iino
 5,463,725 A 10/1995 Henckel et al.
 D366,875 S 2/1996 Kakizaki
 5,495,566 A 2/1996 Kwatinetz
 5,711,064 A 1/1998 Husky et al.
 D395,639 S 6/1998 Ham et al.
 D396,215 S 7/1998 Inukai
 D396,452 S 7/1998 Naruki
 D404,667 S 1/1999 Montgomery
 D408,372 S 4/1999 Ota et al.
 D408,794 S 4/1999 Ogasawara
 D409,185 S 5/1999 Kawashima
 D410,440 S 6/1999 Carnell
 D418,837 S 1/2000 Ishii
 D420,354 S 2/2000 Morales
 D421,001 S 2/2000 Miyashita
 D424,042 S 5/2000 Massieu
 D424,535 S 5/2000 Peltola
 D425,887 S 5/2000 Edwards et al.
 6,061,063 A 5/2000 Wagner et al.
 6,067,068 A 5/2000 Hussain
 D427,583 S 7/2000 Kazama
 6,213,301 B1 4/2001 Landis et al.
 D444,465 S 7/2001 Do
 D448,764 S 10/2001 Marsalka et al.
 6,310,610 B1 10/2001 Beaton et al.
 D451,505 S 12/2001 Iseki et al.
 D452,441 S 12/2001 Bezek et al.
 D452,687 S 1/2002 Yeh
 6,337,698 B1 1/2002 Keely, Jr. et al.

D453,333 S 2/2002 Chen
 D454,348 S 3/2002 Yeh
 D455,433 S 4/2002 Alviar et al.
 D456,023 S 4/2002 Andre et al.
 D456,805 S 5/2002 Ono et al.
 D458,252 S 6/2002 Palm et al.
 D461,802 S 8/2002 Tu
 D466,501 S 12/2002 Hirota
 D467,890 S 12/2002 Lai et al.
 6,501,967 B1 12/2002 Maekelae et al.
 D469,413 S 1/2003 To et al.
 6,509,907 B1 1/2003 Kuwabara
 D480,372 S 10/2003 Chen et al.
 D483,032 S 12/2003 Bertrand et al.
 D483,359 S 12/2003 Lin et al.
 D485,265 S 1/2004 Sato et al.
 D486,149 S 2/2004 Kawami et al.
 6,690,387 B2 2/2004 Zimmerman et al.
 D488,468 S 4/2004 Hu
 D488,469 S 4/2004 Batsikas
 D489,062 S 4/2004 Hong
 D489,731 S 5/2004 Huang
 D490,457 S 5/2004 Kimbre et al.
 D490,810 S 6/2004 Huang
 D491,156 S 6/2004 Kawakami et al.
 D492,684 S 7/2004 Ozolins et al.
 D494,188 S 8/2004 Huang
 D495,695 S 9/2004 Yugaya
 D496,645 S 9/2004 Yoo et al.
 6,788,527 B2 9/2004 Doczy et al.
 D497,364 S 10/2004 Ozolins et al.
 D498,754 S 11/2004 Blyth
 D499,423 S 12/2004 Bahroocha et al.
 D500,037 S 12/2004 Ozolins et al.
 D502,173 S 2/2005 Jung et al.
 D502,945 S 3/2005 Huang et al.
 D503,699 S 4/2005 Lee et al.
 D504,889 S 5/2005 Andre et al.
 D505,950 S 6/2005 Summit et al.
 D507,003 S 7/2005 Pai et al.
 D509,202 S 9/2005 Lee et al.
 D509,760 S 9/2005 Burrell et al.
 D509,833 S 9/2005 Yang
 D510,584 S 10/2005 Tierney et al.
 D510,929 S 10/2005 Laverick et al.
 D511,342 S 11/2005 Chien
 D511,347 S 11/2005 Naruki
 D514,121 S 1/2006 Johnson
 D514,558 S 2/2006 Nagel et al.
 D514,590 S 2/2006 Naruki
 D519,116 S 4/2006 Tanaka et al.
 D519,523 S 4/2006 Chiu et al.
 D519,998 S 5/2006 Park
 D520,020 S 5/2006 Senda et al.
 D520,519 S 5/2006 Chin et al.
 D521,023 S 5/2006 Kim et al.
 7,042,712 B2 5/2006 Ghosh et al.
 D522,364 S 6/2006 Hicks et al.
 D524,809 S 7/2006 Alcouloumre et al.
 D525,226 S 7/2006 Jang
 D525,620 S 7/2006 Esslinger et al.
 D525,987 S 8/2006 Kim
 D526,301 S 8/2006 Shin
 D526,302 S 8/2006 Kim
 D526,564 S 8/2006 Slavin et al.
 D527,015 S 8/2006 Yang
 D527,366 S 8/2006 Lee
 D528,542 S 9/2006 Luminosu et al.
 D528,561 S 9/2006 Ka-Wei et al.
 D529,045 S 9/2006 Shin
 D530,699 S 10/2006 Lee et al.
 D531,610 S 11/2006 Kim et al.
 D532,766 S 11/2006 Lee
 D532,791 S 11/2006 Kim
 D533,531 S 12/2006 Hyun et al.
 D534,143 S 12/2006 Lheem
 D534,145 S 12/2006 Lheem
 D534,516 S 1/2007 Lheem
 D534,517 S 1/2007 Cho et al.

(56)

References Cited

U.S. PATENT DOCUMENTS

| | | | | | | | |
|--------------|---------|---------------------|---------|--------------|---------|-----------------|------------|
| D534,532 S * | 1/2007 | Hisatsune | D14/366 | D583,346 S | 12/2008 | Jung et al. | |
| D535,281 S | 1/2007 | Yang | | D584,272 S | 1/2009 | Chung et al. | |
| D536,329 S | 2/2007 | Lee | | D584,738 S | 1/2009 | Kim et al. | |
| D536,691 S | 2/2007 | Park | | D584,739 S | 1/2009 | Ahlgren | |
| D536,962 S | 2/2007 | Tanner | | D584,743 S | 1/2009 | Sheba et al. | |
| D536,975 S | 2/2007 | Smith et al. | | D585,411 S | 1/2009 | Eaton | |
| D537,075 S | 2/2007 | Helin et al. | | D586,800 S | 2/2009 | Andre et al. | |
| D538,822 S | 3/2007 | Andre et al. | | D589,979 S | 4/2009 | Andre et al. | |
| D541,298 S | 4/2007 | Andre et al. | | D592,628 S | 5/2009 | Kim et al. | |
| D541,299 S | 4/2007 | Andre et al. | | D593,087 S | 5/2009 | Andre et al. | |
| D541,785 S | 5/2007 | Hwang et al. | | D596,606 S | 7/2009 | Kim et al. | |
| D543,183 S | 5/2007 | Cho et al. | | D597,067 S | 7/2009 | Oh et al. | |
| D546,313 S | 7/2007 | Lheem | | D597,516 S | 8/2009 | Kim et al. | |
| D546,347 S | 7/2007 | Millora et al. | | D598,888 S | 8/2009 | Wei et al. | |
| D548,713 S | 8/2007 | Lee et al. | | D598,893 S | 8/2009 | Asai et al. | |
| D548,732 S | 8/2007 | Cebe et al. | | D599,342 S | 9/2009 | Andre et al. | |
| D548,747 S | 8/2007 | Andre et al. | | D599,736 S | 9/2009 | Ferber et al. | |
| D548,749 S | 8/2007 | Schmidt et al. | | D600,241 S | 9/2009 | Andre et al. | |
| D550,654 S | 9/2007 | Miyawaki et al. | | D600,690 S | 9/2009 | Miyaji | |
| D550,708 S | 9/2007 | Kim et al. | | D601,105 S | 9/2009 | Morabito | |
| D552,068 S | 10/2007 | Kim et al. | | D601,530 S | 10/2009 | Park et al. | |
| D554,098 S | 10/2007 | Lee | | D601,535 S | 10/2009 | Huang | |
| D555,123 S | 11/2007 | Mehandjiysky et al. | | D601,558 S | 10/2009 | Andre et al. | |
| D556,211 S | 11/2007 | Howard | | D601,583 S | 10/2009 | Andre et al. | |
| D557,238 S | 12/2007 | Kim | | D601,987 S | 10/2009 | Park et al. | |
| D557,239 S | 12/2007 | Lee | | D602,014 S | 10/2009 | Andre et al. | |
| D557,243 S | 12/2007 | Kim et al. | | D602,015 S | 10/2009 | Andre et al. | |
| D557,259 S | 12/2007 | Hirsch | | D602,016 S | 10/2009 | Andre et al. | |
| 7,303,424 B2 | 12/2007 | Tu et al. | | D602,017 S | 10/2009 | Andre et al. | |
| D558,460 S | 1/2008 | Yu et al. | | D602,462 S | 10/2009 | Wang et al. | |
| D558,716 S | 1/2008 | Bae et al. | | D602,486 S | 10/2009 | Andre et al. | |
| D558,726 S | 1/2008 | Wang et al. | | D602,488 S | 10/2009 | Jiang et al. | |
| D558,756 S | 1/2008 | Andre et al. | | D604,297 S | 11/2009 | Andre et al. | |
| D558,757 S | 1/2008 | Andre et al. | | D605,155 S | 12/2009 | Cha et al. | |
| D558,758 S | 1/2008 | Andre et al. | | D606,526 S | 12/2009 | Wun et al. | |
| D558,792 S | 1/2008 | Chigira | | D606,546 S | 12/2009 | Morooka et al. | |
| D559,220 S | 1/2008 | Lee et al. | | D607,428 S | 1/2010 | Kim et al. | |
| D560,192 S | 1/2008 | Lee et al. | | D607,862 S | 1/2010 | Kim et al. | |
| D560,227 S | 1/2008 | Bennett et al. | | D608,638 S | 1/2010 | Pontes et al. | |
| D560,683 S | 1/2008 | Lee | | D609,210 S | 2/2010 | Sohn et al. | |
| D560,686 S | 1/2008 | Kim | | D609,680 S * | 2/2010 | Kim | D14/138 AD |
| D561,153 S | 2/2008 | Hong et al. | | 7,658,675 B2 | 2/2010 | Hotta | |
| D561,204 S | 2/2008 | Toh | | D612,373 S | 3/2010 | Shi et al. | |
| D561,730 S | 2/2008 | Deubler et al. | | D612,845 S | 3/2010 | Morabito et al. | |
| D561,782 S | 2/2008 | Kim | | 7,688,574 B2 | 3/2010 | Zadesky et al. | |
| D562,284 S | 2/2008 | Kwon et al. | | D613,709 S * | 4/2010 | Kim | D14/138 AD |
| D562,285 S | 2/2008 | Lim | | D613,735 S | 4/2010 | Andre et al. | |
| D562,794 S | 2/2008 | Kim et al. | | D613,736 S | 4/2010 | Andre et al. | |
| D562,826 S | 2/2008 | Willis et al. | | 7,697,281 B2 | 4/2010 | Dabov et al. | |
| D563,432 S | 3/2008 | Kim | | D615,083 S | 5/2010 | Andre et al. | |
| D563,929 S | 3/2008 | Park | | D615,945 S | 5/2010 | Kim et al. | |
| D565,532 S | 4/2008 | Arnold | | D617,751 S | 6/2010 | Lee et al. | |
| D565,596 S | 4/2008 | Kim | | D618,204 S | 6/2010 | Andre et al. | |
| D565,599 S | 4/2008 | Jang et al. | | D618,229 S | 6/2010 | De Jong et al. | |
| D566,080 S | 4/2008 | Kim et al. | | D619,555 S | 7/2010 | Yang et al. | |
| D568,309 S | 5/2008 | Cebe et al. | | D620,004 S | 7/2010 | Andre et al. | |
| D569,830 S | 5/2008 | Kwak | | D621,825 S | 8/2010 | Andre et al. | |
| D569,837 S | 5/2008 | Baik et al. | | D622,270 S | 8/2010 | Andre et al. | |
| D570,320 S | 6/2008 | Lee et al. | | D622,718 S | 8/2010 | Andre et al. | |
| D570,346 S | 6/2008 | Suk et al. | | D622,719 S | 8/2010 | Andre et al. | |
| D570,839 S | 6/2008 | Hofer et al. | | D622,720 S | 8/2010 | Andre et al. | |
| D572,698 S | 7/2008 | Kim et al. | | D623,943 S | 9/2010 | Weld et al. | |
| D573,143 S | 7/2008 | Park et al. | | D624,072 S | 9/2010 | Andre et al. | |
| D574,015 S | 7/2008 | Masui | | D624,536 S | 9/2010 | Andre et al. | |
| D574,708 S | 8/2008 | Reed et al. | | D624,896 S | 10/2010 | Park et al. | |
| D575,259 S | 8/2008 | Kim et al. | | D625,190 S | 10/2010 | Pontes et al. | |
| 7,409,059 B2 | 8/2008 | Fujisawa | | D625,307 S | 10/2010 | Cheng | |
| D576,990 S | 9/2008 | Han et al. | | D626,937 S | 11/2010 | Yeo et al. | |
| D578,500 S | 10/2008 | Lee et al. | | D627,343 S | 11/2010 | Andre et al. | |
| D579,905 S | 11/2008 | Kim et al. | | D627,344 S | 11/2010 | Chien et al. | |
| D579,930 S | 11/2008 | Maskatia | | D627,777 S | 11/2010 | Akana et al. | |
| D580,387 S | 11/2008 | Andre et al. | | D627,778 S | 11/2010 | Akana et al. | |
| D581,384 S | 11/2008 | Kim et al. | | D629,799 S | 12/2010 | Andre et al. | |
| D581,922 S | 12/2008 | Andre et al. | | D630,630 S | 1/2011 | Andre et al. | |
| D583,345 S | 12/2008 | Kim et al. | | D633,090 S | 2/2011 | Andre et al. | |
| | | | | D633,091 S | 2/2011 | Andre et al. | |
| | | | | D633,092 S | 2/2011 | Andre et al. | |
| | | | | D633,493 S | 3/2011 | Akana | |
| | | | | D633,908 S | 3/2011 | Akana et al. | |

(56)

References Cited

U.S. PATENT DOCUMENTS

| | | | | | |
|--------------|---------|-------------------|----------------|---------|-----------------------------|
| D634,319 S | 3/2011 | Andre et al. | D676,400 S | 2/2013 | Kitamura et al. |
| D634,742 S | 3/2011 | Andre et al. | D676,403 S | 2/2013 | Sung et al. |
| D635,540 S | 4/2011 | Kim et al. | D676,459 S | 2/2013 | Hofer et al. |
| D635,952 S | 4/2011 | Park et al. | D677,162 S | 3/2013 | Sharma et al. |
| D636,390 S | 4/2011 | Andre et al. | D677,640 S | 3/2013 | Kim et al. |
| D636,392 S | 4/2011 | Akana et al. | D681,032 S | 4/2013 | Akana et al. |
| D636,752 S | 4/2011 | Liao et al. | D681,632 S | 5/2013 | Akana et al. |
| D637,596 S | 5/2011 | Akana et al. | D682,107 S | 5/2013 | Ramsey et al. |
| D638,003 S | 5/2011 | Chen | D684,130 S | 6/2013 | Vincent et al. |
| D638,394 S | 5/2011 | Richards et al. | D684,135 S | 6/2013 | Seo et al. |
| D638,814 S | 5/2011 | Sutherland et al. | D684,571 S | 6/2013 | Akana et al. |
| D638,815 S | 5/2011 | Lee et al. | D686,176 S | 7/2013 | Kim et al. |
| D638,835 S | 5/2011 | Akana et al. | D687,799 S | 8/2013 | Shin et al. |
| D639,261 S | 6/2011 | Garnham et al. | D688,218 S | 8/2013 | Lee |
| D639,763 S | 6/2011 | Kim et al. | 8,506,158 B2 | 8/2013 | Keung et al. |
| D639,805 S | 6/2011 | Song et al. | D690,343 S | 9/2013 | Yip et al. |
| D640,219 S | 6/2011 | Sutherland et al. | 8,526,180 B2 | 9/2013 | Rayner |
| D640,220 S | 6/2011 | Shyu et al. | 8,535,075 B1 | 9/2013 | Golko et al. |
| D640,569 S | 6/2011 | Alongi et al. | D692,881 S * | 11/2013 | Akana D14/341 |
| D640,662 S | 6/2011 | Hwang et al. | D694,214 S | 11/2013 | Kim et al. |
| D640,663 S | 6/2011 | Arnholt et al. | D694,658 S | 12/2013 | Avidor et al. |
| D641,355 S | 7/2011 | Ferrari et al. | D696,221 S * | 12/2013 | Lee D14/138 G |
| D641,356 S | 7/2011 | Ferrari et al. | D696,223 S | 12/2013 | Will et al. |
| D641,661 S | 7/2011 | Zhang et al. | D696,640 S | 12/2013 | Park et al. |
| D642,057 S | 7/2011 | Reed et al. | D696,668 S | 12/2013 | Chen et al. |
| D642,563 S | 8/2011 | Akana et al. | D697,889 S | 1/2014 | Ahn et al. |
| D644,218 S | 8/2011 | Akana et al. | D697,911 S | 1/2014 | McManigal et al. |
| D645,017 S | 9/2011 | Kim et al. | D698,770 S | 2/2014 | Park |
| D645,435 S | 9/2011 | Kim et al. | D702,219 S | 4/2014 | Suk |
| D645,441 S | 9/2011 | Choe et al. | D703,177 S | 4/2014 | Park et al. |
| D645,835 S | 9/2011 | Lee et al. | D705,186 S | 5/2014 | Park et al. |
| D646,249 S | 10/2011 | Kim et al. | D705,188 S | 5/2014 | Chau et al. |
| D646,252 S | 10/2011 | Kim et al. | D706,235 S | 6/2014 | Kim |
| 8,046,032 B2 | 10/2011 | Babella et al. | D706,251 S | 6/2014 | Park |
| D647,799 S | 11/2011 | Dunwoody et al. | D706,301 S | 6/2014 | Akana et al. |
| D648,303 S | 11/2011 | Park et al. | D706,778 S | 6/2014 | Kawasaki et al. |
| D648,693 S | 11/2011 | Kim et al. | D707,223 S | 6/2014 | Akana et al. |
| D649,968 S | 12/2011 | Li | D708,608 S | 7/2014 | Sugiyama et al. |
| 8,081,886 B2 | 12/2011 | Okano | D710,813 S | 8/2014 | Ichinose |
| D652,812 S | 1/2012 | Kim | 8,804,353 B2 | 8/2014 | Montevirgen et al. |
| D652,813 S | 1/2012 | Song et al. | D712,384 S | 9/2014 | Hibi |
| D653,230 S | 1/2012 | Kim et al. | D712,405 S | 9/2014 | Akana et al. |
| D653,642 S | 2/2012 | Han | D712,870 S | 9/2014 | Kim |
| D653,645 S | 2/2012 | Park | D713,833 S | 9/2014 | Wilkey |
| D654,041 S | 2/2012 | Jung et al. | D715,249 S | 10/2014 | Zhou et al. |
| D654,049 S | 2/2012 | Chung | D716,250 S | 10/2014 | Becker et al. |
| D654,460 S | 2/2012 | Kim et al. | D717,674 S | 11/2014 | Vu et al. |
| D654,461 S | 2/2012 | Kim et al. | D718,269 S | 11/2014 | Cho et al. |
| D654,463 S | 2/2012 | Han | D718,271 S | 11/2014 | McTague et al. |
| D654,889 S | 2/2012 | Kim et al. | D720,747 S | 1/2015 | Kim et al. |
| D654,890 S | 2/2012 | Jung et al. | D721,346 S | 1/2015 | Lee et al. |
| D654,891 S | 2/2012 | Kim et al. | D723,495 S | 3/2015 | Jeong |
| D654,894 S | 2/2012 | Kim | D725,033 S | 3/2015 | Demirjian et al. |
| D654,898 S | 2/2012 | Kim | D726,672 S | 4/2015 | Olodort |
| D654,899 S | 2/2012 | Jung | D728,541 S | 5/2015 | Lee et al. |
| D654,900 S | 2/2012 | Jung | D730,861 S | 6/2015 | Ryu et al. |
| D655,269 S | 3/2012 | Kim et al. | D730,942 S | 6/2015 | Wong |
| D656,818 S | 4/2012 | Dunwoody et al. | D731,481 S | 6/2015 | Akana et al. |
| D656,918 S | 4/2012 | Kim et al. | D732,498 S | 6/2015 | Huang et al. |
| D659,664 S | 5/2012 | Park et al. | D732,500 S | 6/2015 | Choe et al. |
| D661,277 S | 6/2012 | Kim et al. | D734,328 S | 7/2015 | Song et al. |
| D662,484 S | 6/2012 | Sunderland et al. | 9,114,487 B2 * | 8/2015 | Kiple B23C 5/00 |
| D662,489 S | 6/2012 | Yeo et al. | D737,795 S * | 9/2015 | Huang D14/138 G |
| D662,503 S | 6/2012 | Akana et al. | D738,843 S | 9/2015 | Yoon et al. |
| D663,278 S | 7/2012 | Kim et al. | D738,871 S | 9/2015 | Ryu et al. |
| D666,567 S | 9/2012 | Matsuoka et al. | D741,307 S | 10/2015 | Kester et al. |
| D667,382 S | 9/2012 | Cosentino et al. | D741,831 S * | 10/2015 | Kozlovskaya D14/138 G |
| D668,627 S | 10/2012 | Chung | D750,620 S * | 3/2016 | Zhai D14/341 |
| D669,444 S | 10/2012 | Shin et al. | D751,522 S * | 3/2016 | Cho D14/138 G |
| D669,448 S | 10/2012 | Hong et al. | D752,538 S * | 3/2016 | Husgafvel D14/138 G |
| D671,086 S | 11/2012 | Yu et al. | D754,090 S * | 4/2016 | Tai D14/138 G |
| 8,336,730 B2 | 12/2012 | Pontes et al. | D756,948 S | 5/2016 | Kim et al. |
| D673,562 S | 1/2013 | Johnson | D756,952 S * | 5/2016 | Simonian D14/138 G |
| D675,586 S | 2/2013 | Choi et al. | D757,698 S | 5/2016 | Lee et al. |
| D675,588 S | 2/2013 | Park et al. | D758,333 S * | 6/2016 | Aarras D14/138 G |
| | | | D759,008 S | 6/2016 | Akana et al. |
| | | | D762,209 S | 7/2016 | Akana et al. |
| | | | D764,431 S | 8/2016 | Hibi |
| | | | D770,411 S * | 11/2016 | Zhang D14/138 G |

(56)

References Cited

U.S. PATENT DOCUMENTS

D771,620 S 11/2016 Kim et al.
 D772,189 S * 11/2016 Yang D14/138 G
 D774,031 S 12/2016 Otani
 D778,867 S * 2/2017 Husgafvel D14/138 G
 D781,807 S 3/2017 Hubbard et al.
 D782,435 S * 3/2017 Yuan D14/138 AA
 D783,602 S 4/2017 Akana et al.
 D787,467 S * 5/2017 Xu D14/138 C
 D788,732 S * 6/2017 Choe D14/138 G
 D789,316 S * 6/2017 Chou D14/138 G
 D790,535 S 6/2017 Akana et al.
 D791,732 S 7/2017 Xu et al.
 D793,982 S * 8/2017 Seo D14/138 G
 D796,469 S 9/2017 Jin
 D800,716 S 10/2017 Akana et al.
 D801,296 S * 10/2017 Kim D14/138 G
 D806,705 S 1/2018 Akana et al.
 D810,726 S * 2/2018 Chou D14/248
 D813,214 S * 3/2018 Fan D14/248
 D816,649 S 5/2018 Song et al.
 D820,255 S * 6/2018 Akana D14/341
 D823,845 S * 7/2018 Berneth D14/248
 D824,874 S * 8/2018 You D14/138 G
 D825,556 S 8/2018 Akana et al.
 D827,605 S * 9/2018 Yao D14/138 G
 D831,025 S * 10/2018 Akana D14/341
 D841,002 S * 2/2019 Akana D14/341
 D842,853 S * 3/2019 Akana D14/341
 D847,131 S * 4/2019 Akana D14/341
 D848,999 S * 5/2019 Akana D14/341
 D854,508 S * 7/2019 Park D14/138 C
 D856,297 S * 8/2019 Cho D14/138 R
 D859,381 S * 9/2019 Lin D14/248
 D863,245 S * 10/2019 Yuan D14/138 G
 D868,059 S * 11/2019 Akana D14/341
 D870,103 S * 12/2019 Akana D14/341
 D877,110 S * 3/2020 Cho D14/138 G
 D877,710 S * 3/2020 Wu D14/138 G
 D878,344 S * 3/2020 Wu D14/248
 D879,756 S * 3/2020 Lee D14/248
 D888,682 S * 6/2020 Lin D14/138 G
 D888,683 S * 6/2020 Zhang D14/138 G
 D891,411 S * 7/2020 Liu D14/248
 D892,782 S * 8/2020 Liu D14/248
 D895,564 S * 9/2020 Wang D14/138 C
 D895,628 S * 9/2020 Akana D14/439
 D896,232 S * 9/2020 Akana D14/439
 D900,779 S * 11/2020 Gu D14/138 G
 D910,002 S * 2/2021 Seo D14/248
 D910,586 S * 2/2021 Seo D14/138 G
 2002/0089414 A1 7/2002 Boggs et al.
 2003/0125079 A1 7/2003 Park et al.
 2003/0125094 A1 7/2003 Hyun et al.
 2003/0125959 A1 7/2003 Palmquist
 2003/0184525 A1 10/2003 Tsai
 2004/0021676 A1 2/2004 Chen et al.
 2004/0041504 A1 3/2004 Ozolins et al.
 2004/0132499 A1 7/2004 Abe
 2004/0155888 A1 8/2004 Padgitt et al.
 2004/0166907 A1 8/2004 Yajima
 2004/0223004 A1 11/2004 Lincke et al.
 2004/0242288 A1 12/2004 Balle et al.
 2004/0257334 A1 12/2004 Yajima
 2005/0009556 A1 1/2005 Hickey et al.
 2005/0012723 A1 1/2005 Pallakoff
 2005/0014538 A1 1/2005 Hyun et al.
 2005/0041385 A1 2/2005 Kikinis et al.
 2005/0059438 A1 3/2005 Jellicoe
 2005/0088418 A1 4/2005 Nguyen
 2005/0127158 A1 6/2005 Figueras et al.
 2005/0130715 A1 6/2005 Fujisawa
 2005/0195154 A1 9/2005 Robbins et al.
 2005/0255897 A1 11/2005 Lee et al.
 2006/0025184 A1 2/2006 Cho et al.
 2006/0025218 A1 2/2006 Hotta

2006/0094464 A1 5/2006 Kyou et al.
 2006/0111158 A1 5/2006 Hou
 2006/0111161 A1 5/2006 Cha et al.
 2006/0121852 A1 6/2006 Kim et al.
 2006/0142073 A1 6/2006 Gordecki
 2006/0166713 A1 7/2006 Yeh et al.
 2006/0281501 A1 12/2006 Zuo et al.
 2007/0082718 A1 4/2007 Yoon et al.
 2008/0004083 A1 1/2008 Ohki et al.
 2008/0004085 A1 1/2008 Jung et al.
 2008/0316121 A1 12/2008 Hobson et al.
 2009/0245564 A1 10/2009 Mittleman et al.
 2010/0300909 A1 12/2010 Hung et al.
 2011/0050560 A1 3/2011 Foster et al.
 2013/0076965 A1* 3/2013 Dabov H04N 5/2254
 348/340
 2013/0162569 A1 6/2013 Sudo
 2014/0031081 A1 1/2014 Vossoughi et al.
 2014/0078871 A1 3/2014 Savoy et al.
 2014/0080542 A1 3/2014 Pan et al.
 2014/0274216 A1 9/2014 Olodort et al.
 2014/0284096 A1 9/2014 Wu et al.
 2017/0331507 A1* 11/2017 Berneth G06F 1/1626
 2018/0198298 A1* 7/2018 Stanimirovic H02J 7/0044
 2019/0020830 A1* 1/2019 Zhou G06F 21/32

FOREIGN PATENT DOCUMENTS

CA 72548 5/1993
 CA 101263 S 1/2004
 CN 30-0721986 12/2007
 CN 300721990 12/2007
 CN 300732852 1/2008
 CN 300732857 1/2008
 CN 300781645 5/2008
 CN 300912552 4/2009
 CN 300912572 4/2009
 CN 301839838 2/2012
 CN 301867415 S 3/2012
 CN 301923966 S 5/2012
 CN 302242618 S 12/2012
 CN 302268386 S 1/2013
 CN 302279529 S 1/2013
 CN 302321988 S 2/2013
 CN 302333118 S 2/2013
 CN 302341258 3/2013
 CN 302350915 S 3/2013
 CN 302404040 S 4/2013
 CN 302430473 S 5/2013
 CN 202998218 U 6/2013
 CN 302455942 S 6/2013
 CN 302476338 S 6/2013
 CN 302560014 S 9/2013
 CN 302588771 S 9/2013
 CN 302606411 S 10/2013
 CN 302808732 S 4/2014
 CN 302873818 S 7/2014
 CN 302982246 S 10/2014
 CN 303000183 S 11/2014
 CN 303000194 S 11/2014
 CN 303069628 * 1/2015
 CN 303453788 S 11/2015
 CN 303676897 * 5/2016
 CN D1589605 * 10/2017
 CN 305530567 * 1/2020
 CN 305989308 * 8/2020
 CN 306085780 * 10/2020
 EM RCD000614565-0001 12/2006
 EM 002088591-0001 8/2012
 EPEP-RCD00048061-0001 8/2003
 EPEP-RCD00046198-0001 11/2003
 EPEP-RCD000317490-0001 5/2005
 EPEP-RCD000257621-0004 7/2005
 EPEP-RCD000375191-0001 9/2005
 EPEP-RCD000493721-0002 5/2006
 EPEP-RCD000569157-0005 9/2006
 EPEP-RCD000569157-0007 9/2006
 EPEP-RCD000590831-0001 10/2006
 EPEP-RCD000661103-0001 2/2007

(56)

References Cited

| FOREIGN PATENT DOCUMENTS | | |
|--------------------------|---|---------|
| EPEP-RCD00066789-0001 | | 3/2007 |
| EPP-RCD000718770-0007 | | 6/2007 |
| EPP-RCD000748280-0001 | | 8/2007 |
| EPP-RCD000748280-0006 | | 8/2007 |
| EPP-RCD000767959-0001 | | 8/2007 |
| EPP-RCD000748314-0001 | | 10/2007 |
| EPP-RCD000874466-0012 | | 3/2008 |
| EPP-RCD000888920-0018 | | 5/2008 |
| EPP-RCD000939731-0001 | | 6/2008 |
| EPP-RCD001098149-0007 | | 4/2009 |
| EPP-RCD001694712-0001 | | 4/2010 |
| ES D0505712-0001 | | 4/2008 |
| FI 4897 | | 7/1980 |
| FR 990052-001 | | 5/1999 |
| GB 1042780 | | 12/1986 |
| GB 2030050 | | 10/1992 |
| GB 2033245 | | 8/1993 |
| GB 3010002 | | 1/2003 |
| GB 3012502 | | 6/2003 |
| GB 3014024 | | 8/2003 |
| GB 3022447 | | 10/2005 |
| JP S6169284 A | | 4/1986 |
| JP S649317 A | | 1/1989 |
| JP 000921403 | | 3/1995 |
| JP 001009317 | | 5/1998 |
| JP 2000163031 A | | 6/2000 |
| JP D1104685 | | 3/2001 |
| JP D1124750 | | 10/2001 |
| JP D1142127 | | 5/2002 |
| JP D1159881 | | 12/2002 |
| JP D1178470 | | 7/2003 |
| JP D1188041 | | 10/2003 |
| JP D1204221 | | 5/2004 |
| JP D1207560 | * | 6/2004 |
| JP 2004290256 A | | 10/2004 |
| JP D1235888 | | 4/2005 |
| JP D1241383 | | 6/2005 |
| JP D1241638 | | 6/2005 |
| JP D1247215 | | 8/2005 |
| JP D1250487 | | 9/2005 |
| JP D1263649 | | 2/2006 |
| JP D1280315 | | 9/2006 |
| JP D1285057 | | 10/2006 |
| JP D1295003 | | 2/2007 |
| JP D1302929 | | 6/2007 |
| JP 1309206 S | | 9/2007 |
| JP D1326330 S | | 4/2008 |
| JP D1351277 S | | 2/2009 |
| JP D1446071 | | 5/2012 |
| JP D1450779 | | 9/2012 |
| JP D1456810 S | | 12/2012 |
| JP D1469635 S | | 5/2013 |
| JP D1473781 S | | 7/2013 |
| JP D1474566 S | | 7/2013 |
| JP D1474567 S | | 7/2013 |
| JP D1478342 S | | 9/2013 |
| JP D1482812 S | | 10/2013 |
| JP D1485690 S | | 12/2013 |
| JP D1488530 S | | 1/2014 |
| JP D1496834 S | | 5/2014 |
| JP D1562555 | * | 11/2016 |
| JP D1566336 | | 12/2016 |
| JP D1600999 | | 4/2018 |
| JP D1613437 | * | 9/2018 |
| KR 30-0327126 | | 6/2003 |
| KR 30-0359572 | | 8/2004 |
| KR 30-0360712 | | 9/2004 |
| KR 30-0364027 | | 10/2004 |
| KR 30-0364845 | | 10/2004 |
| KR 30-0367347 | | 11/2004 |
| KR 30-0367787 | | 11/2004 |
| KR 30-0370833 | | 1/2005 |
| KR 30-0376524 | | 3/2005 |
| KR 30-0387059-3 | | 7/2005 |
| KR 30-0387130 | | 7/2005 |

| | | |
|---------------------|---|---------|
| KR 30-0387648 | | 7/2005 |
| KR 30-0396917 | | 11/2005 |
| KR 30-0398307 | | 11/2005 |
| KR 30-0394921-1 | | 12/2005 |
| KR 30-0416409 | | 6/2006 |
| KR 30-0418422-1 | | 7/2006 |
| KR 30-0418547 | | 7/2006 |
| KR 30-0420200 | | 7/2006 |
| KR 30-0422221 | | 8/2006 |
| KR 30-0424148 | | 9/2006 |
| KR 30-0435318 | | 1/2007 |
| KR 30-0441230 | | 2/2007 |
| KR 30-0452432 | | 6/2007 |
| KR 30-0454592 | | 7/2007 |
| KR 30-0452985-2 | | 8/2007 |
| KR 30-0467088 | | 10/2007 |
| KR 30-0529167 | | 5/2009 |
| KR 30-0532172 | | 6/2009 |
| KR 30-0533504 | | 7/2009 |
| KR 30-0546031 | | 11/2009 |
| KR 30-0567441 | | 7/2010 |
| KR 3020140001267 | * | 12/2014 |
| SE 55044 | | 10/1993 |
| TW D106137 | | 8/2005 |
| TW D123283 | | 6/2008 |
| TW D126454 | | 12/2008 |
| TW D127018 | | 1/2009 |
| TW D133734 | | 3/2010 |
| TW D140380 | | 5/2011 |
| TW D140385 | | 5/2011 |
| TW D149042 S | | 9/2012 |
| TW D156228 | | 10/2013 |
| WO WO-0074240 A1 | | 12/2000 |
| WO WO-0188679 A2 | | 11/2001 |
| WO WO-2004023272 A2 | | 3/2004 |
| WO WO-DM080555 S | | 2/2013 |
| WO DM/095015 | | 2/2017 |

OTHER PUBLICATIONS

Apple iPhone XR Unboxing!, announced Oct. 26, 2018 [online], [retrieved Mar. 15, 2021]. Available from Internet, URL: <<https://www.youtube.com/watch?v=GC7DoJB37Cw>> (Year: 2018).*

Verykool SL5011 Spark LTE official images, announced Feb. 2016 [online], [retrieved Mar. 15, 2021]. Available from Internet, URL: <https://www.gsmarena.com/verykool_sl5011_spark_lte-pictures-7921.php> (Year: 2016).*

10 Best Phones With Quad Cameras, updated May 21, 2020 [online], [retrieved Mar. 15, 2021]. Available from Internet, URL: <<https://www.smartprix.com/bytes/best-phones-quad-cameras-top-four-camera-phones/>> (Year: 2020).*

Google Pixel 3, announced Oct. 9, 2018 [online], [retrieved Mar. 15, 2021]. Available from Internet, URL: <<https://www.androidauthority.com/google-pixel-3-xl-vs-pixel-2-xl-911406/>> (Year: 2018).*

iOS 12.1 will fix . . . , announced Oct. 23, 2018 [online], [retrieved Mar. 15, 2021]. Available from Internet, URL: <<https://mobilesyrup.com/2018/10/23/ios-12-1-fix-iphone-xr-xs-skin-smoothing-photo-bug/>> (Year: 2018).*

How to re-enable . . . iPhone 8, announced Sep. 25, 2017 [online], [retrieved Mar. 15, 2021]. Available from Internet, URL: <<https://www.idownloadblog.com/2017/09/25/how-to-re-enable-manual-hdr-camera-mode-on-iphone-8/>> (Year: 2017).*

Verykool Spark LTE SL5011 review: All that glitters is not gold, posted May 24, 2016, [retrieved Sep. 30, 2018]. Retrieved from Internet, , URL: <<https://www.androidguys.com/reviews/verykool-spark-lte-sl5011-review-all-that-glitters-is-not-gold/>>.

"A Day in the Life of InfoLink," Stanford University Libraries, published May 1, 2003.

ABDI, "Five 1 GB Flash MP3 Players," Tomsguide.com, (<http://www.tomsguide.com/us/five-lgb-flash-mp3-players,review-722-3.html>), published May 30, 2006, 4 pages.

Aliexpress.com, "WACOM PL-500 15" LCD Tablet Mint," (<http://www.aliexpress.com/product-fm/430172068-WACOM-PL-500-15-LCD-Tablet-Mint-Worldwide-Free-Shipping-wholesalers.html>), accessed Nov. 14, 2011, 3 pages.

(56)

References Cited

OTHER PUBLICATIONS

- Amazon, “Developing Tablet PC Applications—(Charles River Media Programming),” (<http://www.amazon.co.uk/Developing-Tablet-Applications-Charles-Programming/dp/1584502525>), retrieved Jul. 20, 2011, 4 pages.
- Amazon.com, “Digitalway MPIO FL100 128 MB MP3 Player” (<http://www.amazon.com/Digitalway-MPIO-FL100-128-Player/dp/B00008V6NI>), accessed Nov. 17, 2011, 7 pages.
- Amazon.com, “Whirlpool Gold : GH7208XRS 2.0 cu. ft. Velos Speedcook Over the Range Microwave Oven,” (<http://www.amazon.com/Whirlpool-Gold-GH7208XRS-Speedcook-Microwave/dp/B000ZIPHM8>), accessed May 23, 2012, 5 pages.
- AndroidTabletFanatic.com “16 Old-Skool Tablets Rocking it Before the iPad,” (<http://www.androidtabletfanatic.com/android-tablet-news/16-old-skool-tablets-rocking-it-before-the-ipad/>), published May 16, 2011, 10 pages.
- Apple Inc., “Apple Introduces the U2 iPod,” (<http://www.apple.com/pr/library/2004/10/26Apple-Introduces-the-U2-iPod.html>), published Oct. 26, 2004, 2 pages.
- Apple iPhone 7: Dual-Lens Camera Leak Suggests 3D Scanning Capabilities, posted Mar. 16, 2016, [retrieved Aug. 5, 2017]. Retrieved from Internet, (URL: <http://www.newsweek.com/apple-iphone-7-dual-lens-camera-leak-suggests-3d-scanningcapabilities-437322>).
- Apple iPhone, announced Jan. 2007, [online], [retrieved on Mar. 12, 2007]. Retrieved from Internet: <http://www.gsmarena.com>.
- Apple Launches iPhone 8 and iPhone 8 Plus Starting at \$699, posted Sep. 12, 2017, [retrieved May 9, 2018]. Retrieved from Internet: (URL: <https://www.guidingtech.com/72676/apple-launches-iphone8/>).
- Association for Computing Machinery, The Open Video Project, “ACM CHI 1995—The Tablet Newspaper: A vision for the Future,” (<http://www.open-video.org/details.php?videoid=8315&surrogate=storyboard>), 3 pages (1994).
- Aumente, J., American Journalism Review, “Panel Vision,” (<http://www.ajr.org/Article.asp?id=1257>), published Oct. 1994, 7 pages.
- Blandford, “Nokia N92 Preview,” (http://www.allaboutsymbian.com/features/item/Nokia_N92_Preview.php), published Nov. 23, 2005, 10 pages.
- Blickenstorfer, C., PenComputing Magazine, “Tablet PCs: HP Compaq Tablet PC TC1000,” (http://pencomputing.com/frames/tpc_compaq.html), 3 pages (Dec. 2002).
- Blickenstorfer, C., PenComputing Magazine, “Tablet PCs: Motion Computing M1200,” (http://pencomputing.com/frames/tpc_motion1200.html), 3 pages (Dec. 2002).
- Blickenstorfer, C., PenComputing Magazine, “Tablet PCs: ViewSonic V1100,” (http://pencomputing.com/frames/tpc_viewsonic.html), 3 pages (Dec. 2002).
- Block, “Olympus @ CES Hands-on with the m:robe MR-500i and MR-100,” Engadget.com, (<http://www.engadget.com/2005/01/10/olympus-ces-hands-on-with-the-m-robe-mr-500i-and-mr-100>), published Jan. 10, 2005, 3 pages.
- Carlson, Ronald, Tapscape.com, “Translucent iPhone: Will Apple Revisit G3 iMac?,” accessed at <http://www.tapscape.com/translucent-iphone/>, accessed on Apr. 3, 2013, 3 pages.
- Cell Phones.About.com, “More pictures of the LG KG800,” (http://cellphones.about.com/library/b1-pi-1g_kg800.htm), accessed Feb. 13, 2012, 1 page.
- Chi-atheneum, “Good Design 2003, an International Industrial and Graphic Design Competition,” (<http://www.chi-atheneum.org/gdesign/winners03.htm>), retrieved Sep. 23, 2011, 7 pages.
- Chip Online, “VIA: Zwitter-PC für Schöngesteir,” (http://www.chip.de/news/VIA-Zwitter-PC-fuer-Schoengeisteir_34204096.html), published May 8, 2002, 3 pages.
- Clarke, “Newspad by Authur C. Clarke from 2001: A Space Odyssey,” (<http://www.technovelgy.com/ct/content.asp?Bnum=529>), published 1968, 3 pages.
- Computex.biz, “Tatung Tablet PC,” (http://www.computex.biz/tatung/Default.aspx?pagetype=ProductDetail&pdt_id=36&cid=3...), accessed Nov. 4, 2011, 3 pages.
- Computing History, “GRidPad 1910,” (<http://computinghistory.org.uk/det/6565/GRidPad-1910>), retrieved Sep. 12, 2011, 2 pages.
- ConceptsiPhone, “iPhone 8 and iPhone 8 Plus—Introducing” Youtube, Oct. 7, 2016, accessed at (<https://www.youtube.com/watch?v=WSf8aJIYCjg>).
- Cultofandroid, “This Android-Powered iPhone 5C Clone Will Cost Just \$100 in China” accessed at http://www.cultofandroid.com/40408/this-android-powered-iphone-5c-clone-will-cost-just-100-in-china/?utm_campaign=twitter&utm_medium=twitter&utm_source=twitter, accessed on Aug. 27, 2013, 2 pages.
- Daily Life News, “iPhone 5s Leaked Images Hint 2 Different Screen Sizes.” accessed at <https://www.youtube.com/watch?v=8tcTHa63WHI>, accessed on Apr. 10, 2013, 4 pages.
- dcinside.com, “iHolic HTV-200” (<http://dica.dcinside.com/review.php?pid=7192>), retrieved Sep. 22, 2011, 16 pages.
- Dial-a-Phone.co.uk, “Samsung F700 beats the iPhone!” (<http://blog.dialaphone.co.uk/2007/02/16/samsung-f700-beats-the-iphone/>), published Feb. 16, 2007, 38 pages.
- DigiBarn Systems, “GRiDpad Pen Computer,” (<http://www.digibarn.com/collections/systems/gridpad/index.html>), retrieved Sep. 23, 2011, 2 pages.
- Droid X first impressions: nice hardware Motorola announced Jul. 15, 2010. (<http://arstechnica.com/gadgets/2010/07/droid-x-first-impressions-nice-hardware-motorola>).
- Edible Apple, “The first Apple Tablet . . . from 1979,” (<http://www.edibleapple.com/the-first-apple-tablet-from-1979/>), published Nov. 23, 2009, 8 pages.
- eFashion Magazine, vol No. 119 (Jun. 1, 2005), p. 45.
- eFashion Magazine, vol No. 12 (2004), p. 60.
- eFashion Magazine, vol. No. 172 (Apr. 2006), p. 26.
- Electronista, “LG/Prada phone revealed?,” (<http://www.electronista.com/articles/06/12/20/lg.prada.phone.revealed/>), updated Dec. 20, 2006, 9 pages.
- Engadget, “Meizu’s M8? Apple lawyers, start your engines”, accessed at <http://www.engadget.com/2007/01/29/meizus-m8-apple-lawyers-start-your-engines/>, accessed on Jan. 29, 2007, 3 pages.
- EngineerBoy, CleverDonkey.com, “2001: A Space Odyssey and the iPad (or is it tamPod?),” (<http://www.cleverdonkey.com/1499-2001-a-space-odyssey-and-the-ipad-or-is-it-tampod/>), published Feb. 2, 2010, 5 pages.
- FinalSense, “Samsung Ultra Smart F520 Dual Slider Phone,” (http://www.finalsense.com/news/it/phone/samsung_f520.htm), published Feb. 2007, 3 pages.
- Flickr.com, “Apple Graphics Tablet” (http://farm3.static.flickr.com/2691/4126733086_b24c987b0e_o.jpg), accessed Nov. 15, 2011, 1 page.
- Fried, “Live-blogging Steve Ballmer,” CNET, (http://www.cnet.com/8301-31045_1-10426723-269.html?tag=mncol%3btxt), published Jan. 6, 2010, 6 pages.
- Gizloco, Gizmodo, “Touchscreen iPod Due This November Says Our Secret Source,” (<http://gizmodo.com/192158/touchscreen-ipod-due-this-november-says-our-secret-source>), published Aug. 4, 2006, 2 pages.
- Gizmodo, “Bluebird Pidion BM-200 Packed with Acronyms and Other Impressive Features,” (<http://gizmodo.com/143554/bluebird-pidion-bm+200-packed-with-acronyms-and-other-impressive-features>), published Dec. 15, 2005, 2 pages.
- Gokey, M., “LG G3 vs. HTC One M8: Which Android Flag Should iPhone Haters Fly?,” published Sep. 18, 2014, accessed at www.digitaltrends.com/mobile/lg-g3-vs-htc-one-m8/, 12 pages.
- Gsmarena, “Nokia Lumia 820”, accessed at http://www.gsmarena.com/nokia_lumia_820-4968.php, accessed on Aug. 29, 2013, 2 pages.
- Gsmarena, “Xiaomi MI-2”, accessed at http://www.gsmarena.com/xiaomi_mi_2-4928.php, accessed on Aug. 29, 2013, 2 pages.
- Gsmarena, “Xiaomi MI-2s”, accessed at http://www.gsmarena.com/xiaomi_mi_2s-5397.php, accessed on Aug. 29, 2013, 2 pages.
- GSMarena.com, “LG KE850 Prada,” (http://www.gsmarena.com/lg_ke850_prada-1828.php), accessed Feb. 20, 2007, 4 pages.
- GSMarena.com, “Phillips S900,” (http://www.gsmarena.com/philips_s900-1598.php), accessed Feb. 20, 2007, 2 pages.
- Hagen, R., GadgetZone, “iHolic portable mediaspeler,” (<http://www.gadgetzone.nl/nieuws.php?id=3191>), published Jan. 4, 2007, 3 pages.

(56)

References Cited

OTHER PUBLICATIONS

Hilon LG DMB MP3 FM35, posted Jun. 26, 2006, [online], [retrieved on Dec. 26, 2008], Retrieved from Internet, URL: <http://hilon.com.cn.autobak/a8810005549>.

HTC: Apple ripped off our unibody phone design and antenna bands, not the other way round, posted Oct. 22, 2015, [retrieved May 9, 2018]. Retrieved from Internet: (URL: <http://www.idownloadblog.com/2015/10/22/htc-antenna-design-statement/>).

iF Design, “iF product design award 2007,” (http://www.ifdesign.de/beitragsdetails_e.html?offset=87&sprache=2&award_id=121&beit...), accessed on Sep. 21, 2011, 1 page.

iPhone 6 Plus, Gold, 16GB (Unlocked), posted Nov. 2, 2014, [retrieved Aug. 5, 2017]. Retrieved from Internet, URL: https://www.amazon.com/iPhone-Plus-Gold-16GB-Unlocked/dp/B00B5TCN6/ref=cm_cr_ar_p_d_product_top?ie=UTF8.

“iPhone 6, Une Enieme Maquette Comparee Avec L’iPhone 5s,” published May 3, 2014, accessed at <http://www.nowhereelse.fr/iphone-6-maquette-comparee-iphone-5s-97315/>, 2 pages.

iPhone 7 Realistic 3D Video Rendering Based on Latest Leaks Pops Up (Video), posted Mar. 20, 2016, [retrieved Aug. 5, 2017]. Retrieved from Internet:(URL: <https://www.concept-phones.com/apple/iphone-7-realistic-3d-video-rendering-based-latest-leakspops-video>), 3pages.

iriver.com, “iriver U-10,” (www.iriver.com), published 2005, 2 pages.

Itbusiness.ca, “Microsoft Mira eHome Wireless Smart Display,” (http://www.itbusiness.ca/images/articles/Jun10/clip_image003_0087.jpg), accessed Nov. 15, 2011, 1 page.

iTechNews.net, “Samsung K3 MP3 Player,” (<http://www.itechnews.net/2006/12/02/samsung-k3-mp3-player/>), published Dec. 2, 2006, 9 pages.

Justia, “*Apple v. Samsung Electronics Co. Ltd. et al.*, Filing: 943 Attachment: 5,” (<http://docs.justia.com/cases/federal/district-courts/california/candce/5:2011cv01846/239768/943/5.html>), dated May 18, 2012, 3 pages.

Kauffmann, “Music That Fits in Your Pocket,” Tomsguide.com, (<http://www.tomsguide.com/us/music-that-fits-in-your-pocket,review-525-5.-html>), published Aug. 25, 2005, 4 pages.

Knowyourmobile.com, “LG KG800 technical specifications,” (http://www.knowyourmobile.com/lg/lkg800chocolate/lkg800reviews/137/lg_kg800_technical_specifications.html), published Mar. 9, 2007, 3 pages.

Lugmayr, “Sexy iHolic DMB TV PMP,” (<http://www.i4u.com/11656/sexy-iholic-dmb-tv-pmp>), published Jan. 3, 2007, 1 page.

MacManus, Christopher, cnet.com, “Artist pictures a budget iPhone—in color.” accessed at <http://www.cnet.com/au/news/artist-pictures-a-budget-iphone-in-color/>, accessed at Mar. 21, 2013, 4 pages.

Martin, T., “The Tablet Newspaper: A Vision for the Future,” Human Factors in Computing Systems, Chi ’95 Conference Companion, pp. 425, Colorado, United States (May 1995).

Mayo, B., “Purported iPhone 6 Pictures Show Protruding Camera, Rounded Edges,” 9to5Mac.com, accessed at <http://9to5mac.com/2014/03/31/purported-iphone-6-pictures-show-protruding-camera-rounded-edges/>, 23 pages.

McCracken, “The iPad. Of 2000. As Envisioned in 1988,” Technologizer.com, (<http://technologizer.com/2010/05/14/the-ipad-of-2000-as-envisioned-in-1988/>), published May 14, 2010, 12 pages.

Mel et al., “Tablet: Personal Computer in the Year 2000,” Communications of the ACM 31:638-646, ACM (Jun. 1988).

Melanson, D., Engadget, “Meizu M8 / miniOne closer to production, litigation,” (<http://www.engadget.com/2007/02/13/meizu-m8-mini-one-closer-to-production-litigation/>), published Feb. 13, 2007, 3 pages.

Mia P., “Apple Leak Reveals All Glass Phone With 3D Sensor; Touch Bar Feature Redefines Emoji Use; Is This iPhone 8?” GameNGuide, Oct. 31, 2016, accessed at (<http://www.gamenguide.com/articles/60727/20161031/apple-leak-reveals-all-glass-phone-with-3d-sensor-touch-bar-feature-redefines-emoji-use-is-this-iphone-8.htm>).

Mobilegazette.com, “Nokia N92,” (<http://www.mobilegazette.com/nokia-n92-051102.htm>), published Nov. 2, 2005, 2 pages.

Needleman, “Hands-on with the JooJoo,” (http://news.cnet.com/8301-19882_3-10410960-250.html), CNET News, published Dec. 7, 2009, 31 pages.

NewLaunches, “LG Prada cell phones are truly iconic,” (http://www.newlaunches.com/archives/lg_prada_cell_phones_are_truly_iconic.php), retrieved Sep. 12, 2011, 3 pages.

NewLaunches, “LG Wears Prada,” (http://www.newlaunches.com/archives/lg_wears_prada.php), retrieved Sep. 23, 2011, 2 pages.

Newlaunches.com, “Pidion BM-200 sleek Windows CE PDA phone from Bluebird,” (http://www.newlaunches.com/archives/pidion_bm200_sleek_windows_ce_pda_phone_from_bluebird.php), published Dec. 15, 2005, 3 pages.

Nokia, “Nokia Lumia 820—Our most versatile Lumia”, accessed at <http://www.nokia.com/global/products/phone/lumia820/>, accessed on Aug. 29, 2013, 6 pages.

@NowhereElseFr, “Just Another Purported #iPhone6 or #iPhoneAir Dummy . . . #Apple,” published May 4, 2014, accessed at <https://twitter.com/NowhereElseFr/status/462938116924264448/photo/1>, 5 pages.

NYTimes.com, “iRiver U10 (1GB),” (<http://www.nytimes.com/technology/personaltech/music-players/iRiver-U10-1GB-31432102.html>), published Feb. 12, 2012, 2 pages.

Patel, “The HP Slate” (<http://www.engadget.com/2010/01/06/the-hp-slate/>), Engadget.com, published Jan. 6, 2010, 4 pages.

PC Magazine, “HP Compaq Tablet PC TC1000,” (<http://www.pcmag.com/article2/0,2817%20,939500,00.asp>), published Apr. 8, 2003, 3 pages.

PCMag.com, “iriver U10,” (<http://www.pcmag.com/article2/0,2817,1901833,00.asp>), published Dec. 14, 2005, 3 pages.

PDADB.net, “Bluebird Pidion BM-200 Specs,” (http://pdadb.net/index.php?m=specs&id=1804&c=bluebird_pidion_bm-200), published Mar. 24, 2008, 3 pages.

PDADB.net, “Casio Cassiopeia IT-10 M20BR Specs,” (http://pdadb.net/index.php?m=specs&id=95&c=casio_cassiopeia_it-10_m20br), published Dec. 30, 2004, 3 pages.

PDADB.net, “CyberBank POZ X301 Specs,” (http://pdadb.net/index.php?m=specs&id=442&c=cyberbank_poz_x301), published Jan. 31, 2006, 3 pages.

PDADB.net, “Dell Axim X3 Basic Specs,” (http://pdadb.net/index.php?m=specs&id=81&c=dell_axim_x3_basic), published Dec. 30, 2004, 3 pages.

PDADB.net, “Detailed Specifications of O2 XDA Flame,” (http://pdadb.net/index.php?m=specs&id=673&view=1&c=O2_xda_flame), accessed May 6, 2011, 3 pages.

PDADB.net, “Dopod 838 Pro (HTC Hermes 100) Specs,” (http://pdadb.net/index.php?m=specs&id=578&c=dopod_838_pro_htc_hermes_100), published Aug. 4, 2005, 3 pages.

PDADB.net, “Garmin iQue M5 Specs,” (http://pdadb.net/index.php?m=specs&id=302&c=garmin_ique_m5), published Jul. 17, 2005, 3 pages.

PDADB.net, “Krome Spy (HTC Magician Refresh) Specs,” (http://pdadb.net/index.php?m=specs&id=550&c=krome_spy_htc_magician_refresh), published Jul. 18, 2006, 3 pages.

PDADB.net, “MiTAC Mio 338 Plus Digi-Walker Specs,” (http://pdadb.net/index.php?m=specs&id=60&c=mitac_mio_338_plus_digi-walker), published Dec. 25, 2004, 3 pages.

PDADB.net, “O2 XDA (HTC Wallaby) Specs,” (http://pdadb.net/index.php?m=specs&id=117&c=o2_xda_htc_wallaby), published Feb. 3, 2005, 3 pages.

PDADB.net, “Sony Clie PEG-SL10 / Peg-SL10U / PEG-SL10E Specs,” (http://pdadb.net/index.php?m=specs&id=1198&c=sony_clie_peg-sl10_peg-sl10u_peg-sl10e), published Mar. 4, 2008, 3 pages.

PDADB.net, “Sony Clie PEG-T665C / PEG-T675C Specs,” (http://pdadb.net/index.php?m=specs&id=1192&c=sony_clie_peg-t665c_peg-t675c), published Mar. 4, 2008, 3 pages.

PDADB.net, “Palm Z22 Specs,” (http://pdadb.net/index.php?m=specs&id=1244&c=palm_z22), published Mar. 13, 2006, 3 pages.

PDADB.net, “PalmOne LifeDrive Specs,” (http://pdadb.net/index.php?m=specs&id=1242&c=palmone_lifedrive), published Mar. 12, 2008, 3 pages.

(56)

References Cited

OTHER PUBLICATIONS

PDADB.net, "Toshiba Genio e330 Specs," (http://pdadb.net/index.php?rn=specs&id=29&c=toshiba_genio_e330), published Dec. 9, 2004, 3 pages.

PDADB.net, "Toshiba Genio e570 Specs," (http://pdadb.net/index.php?m=specs&id=229&c=toshiba_genio_e570), published May 4, 2006, 3 pages.

Dual-core Motorola Droid Bionic announced Jan. 6, 2011. (<http://blog.gsmarena.com/dual-core-motorola-droid-bionic-coming-soon-on-verizonusa/>).

Photo-John, "Apple's iPhone 5 Camera—What's New?," as archived at <https://web.archive.org/web/20140805181048/http://www.photographyreview.com/reviews/apple-iphone-5-camera-whats-new>, published Sep. 12, 2012, 3 pages.

How Much Difference Does a Dual-LED Flash Make? announced Jun. 24, 2011. (<http://www.tested.com/tech/smartphones/2517-how-much-difference-does-a-dual-led-flash-make>).

HTC ThunderBolt Review announced Mar. 19, 2011. (<http://www.phonearena.com/reviews/HTC-ThunderBolt-Reviewid2689>).

Playinfinite, "iPhone 5S & 5C Leaks w/ iPhone 5 Comparison," accessed at <https://www.youtube.com/watch?v=INDT3RtfnBw>, published Aug. 13, 2013, 3 pages.

Nokia Lumia 900 Review announced Apr. 3, 2012. (<http://www.windowscentral.com/wpcentral-review-att-nokia-lumia-900>).

GSMarena.com, "Apple iPhone," (http://www.gsmarena.com/apple_iphone-1827.php), accessed Mar. 12, 2007, 3 pages.

"LG KE850 Prada", accessed at <http://www.gsmarena.com/gke850prada-1929.php>, 4 pages, dated Feb. 20, 2007.

Xiaomi Mi Note review announced Jul. 10, 2015. (<http://www.pcworld.idg.com.au/review/xiaomi/mi-note/579373/>).

The Motorola Atrix 4G Preview announced Feb. 13, 2011. (<http://www.anandtech.com/show/4165/the-motorola-atrrix-4g-preview/2>).

Ricker, "LG's KE850 Prada official: iPhone says, wha?" Engadget.com, (<http://www.engadget.com/2007/01/18/lgs-ke850-prada-official-iphone-says-wha/>), published Jan. 18, 2007, 4 pages.

Ricker, "Meizu's M8? Apple lawyers, start your engines," Engadget.com, (<http://www.engadget.com/2007/01/29/meizus-m8-apple-lawyers-start-your-engines/>), published Jan. 29, 2007, 1 page.

Ricker, "The Pidion BM-200: it's time to move to Seoul," (<http://www.engadget.com/2005/10/04/the-pidion-bm-200-its-time-to-move-to-seoul/>), Engadget.com, published Oct. 4, 2005, 4 pages.

Rojas, "Hands-on with the Nokia N92," Engadget.com, (<http://www.engadget.com/2005/12/01/hands-on-with-the-nokia-n92/>), published Dec. 1, 2005, 4 pages.

S. Dimitris, "Pidion BM200 Smartphone," PDASNews, (www.pdasnews.com/articles/pidion-bm200-smartphone.html), accessed Mar. 7, 2012, 2 pages.

Salestores.com, "LG L1530TM Tablet LCD Monitor," (<http://salestores.com/lgl1talcdmos.html>), accessed Nov. 17, 2011, 2 pages.

Samsung, "Samsung F700 is razendsnelle alleskunner voor mobiel breedband van Vodafone," (http://www.samsung.com/nl/mobile/pressView.do?type=press&page=13&news_seq=22544), published May 25, 2008, 2 pages.

Samsung, "Samsung Galaxy S," Retrieved from the Internet< URL: <http://www.samsung.com/au/smartphone/galaxys/>>, product released Jun. 2010, 2 pages.

Samsung, "Samsung Unveils Revolutionary Ultra Smart F700," (http://www.samsung.com/us/news/newsRead.do?news_seq=3516), published Nov. 23, 2009, 2 pages.

Samsung F700, announced Feb. 2007, [online], [retrieved on Feb. 8, 2007]. Retrieved from Internet ,URL:http://www.gsmarena.com/samsung_f700-1849.php.

"Sharp Executive Confirms iPhone 8 to Use OLED Display; Limited to Only Premium 5.5-inch Plus Model" Oct. 29, 2016, accessed at (<http://www.redsn0w.us/2016/10/sharp-executive-confirms-iphone-8-to.html>).

Smith et al., "The Radial Scroll Tool: Scrolling Support for Stylus— or Touch-Based Document Navigation," UIST, ACM, published Oct. 2004.

Smith, T., RegHardware.com, "First fondleslab found in 1970s kids TV sci-fi gem," (http://www.reghardware.com/2011/02/07/apple_ipad_tomorrow_people/print.html), published Feb. 7, 2011, 3 pages.

SoftBank, "SoftBank 825SH," Retrieved from the Internet:< URL: <http://mb.softbank.jp/en/products/sharp/825sh.html>>, product released Jul. 2008, 3 pages.

Sooman, "The LG Chocolate Phone," Techspot.com, (<http://www.techspot.com/news/20929-the-lg-chocolate-phone.html>), published on Mar. 23, 2006, 5 pages.

Stuff Staff in News, stuffmideast.com "Apple's new iPhone to come in a five colours." accessed at <http://stuffmideast.com/2013/04/11/151344/apples-new-iphone-to-come-in-a-five-colours/>, accessed on Apr. 11, 2013, 1 page.

stuff.tv, "Spare wallets rejoice, the plastic budget iPhone 5S cometh, The iPhone 5S may not be an incremental increase but a decrease, in price and build quality." accessed at <http://www.stuff.tv/apple/sparse-wallets-rejoice-plastic-budget-iphone-5s-cometh/news>, accessed on Mar. 23, 2013, 1 page.

Sundgot, J., infoSync, "Preview: LG PM70," (<http://infosyncworld.com/news/n/5869.html>), published Mar. 15, 2005, 2 pages.

Svartlinks, Blogspot, "Samsung F700, F520, F510, F500 and F300 Ultra Smart-Smartphones," (<http://svartlinks.blogspot.com/2007/02/samsung-f700-f520-f510-f500-and-f-300.html>), published Feb. 13, 2007, 10 pages.

Swift, "BBK Vivo Xplay X510W Review," published Oct. 21, 2013, accessed at <http://chinesetech.net/2013/10/21/bbk-vivo-xplay-x510w-review/>, 12 pages.

TechDesigns, "iPhone 8 Official 2017—Concept" Youtube, Oct. 27, 2016, accessed at (<https://www.youtube.com/watch?v=LYUJYLD1XR0>).

The iPhone 8 is excellent, but not for everyone, posted Sep. 19, 2017, [retrieved May 9, 2018]. Retrieved from Internet: (URL: <https://mashable.com/2017/09/19/apple-iphone-8-and-iphone-8-plus-review/#fOyLRIFfRkql>).

"The Oracle: The Personal Computer of the Year 2000," Stanford University Libraries.

"The Organizer: The Personal Computer of the Year 2000," Stanford University Libraries.

Tinnos PDA, posted May 19, 2006, [online], [retrieved on Aug. 22, 2007]. Retrieved from Internet: http://www.mobilewhack.com/reviews/tinnos_pda.html.

"Toshiba Dynapad T100X Pen Computer," product available in 1993, 2 pages.

uSwitch Tech, "Leaked iPhone 5S 'Grey' Exclusive First Look—uSwitch.com," accessed at <https://www.youtube.com/watch?v=z47pf6wxWOU>, published Sep. 6, 2013, 2 pages.

Van Reeth, J., "Vantage is showing its colours!," Home automation journal 11:1-8, Vantage Emea, Belgium (Jun. 2003).

Vasile, C., Softpedia, "MobilePen: An Expensive but Helpful Touchscreen," <http://news.softpedia.com/news/MobilePen-An-Expensive-But-Helpful-Touchscreen-16192.shtml>, published Jan. 12, 2006, 2 pages.

Vilas-Boas, "Industrial Design Portfolio," (<http://rdvb-designshowcase.blogspot.com/p/cheddar-1-2009.html>), published 2004, 6 pages.

WebdesignerDepot.com, "The Evolution of Cell Phone Design Between 1983-2009" (<http://www.webdesignerdepot.com/2009/05/the-evolution-of-cell-phone-design-between-1983-2009/>), accessed May 6, 2011, 56 pages.

welectronics.com, "Xiaomi MI 2 GSM unlocked," accessed at <http://www.welectronics.com/gsm/misc/XIAOMI-MI-2.HTML?gclid=CK7Nr9bv-rYCFYOo4AodZ0EAEW>, accessed at Aug. 29, 2013, 2 pages.

Wikipedia, "Etch A Sketch," (http://en.wikipedia.org/wiki/Etch_a_sketch), last modified Aug. 24, 2011, 4 pages.

Wikipedia, "MessagePad," (<http://en.wikipedia.org/wiki/Messagepad>), retrieved Sep. 12, 2011, 10 pages.

Wikipedia.org, "Clie," (<http://en.wikipedia.org/wiki/CLI%C3%89>), last modified Feb. 12, 2011, 3 pages.

Wikipedia.org, "E-Ten" (<http://en.wikipedia.org/wiki/E-TEN>), last modified Dec. 15, 2010, 2 pages.

Wikipedia.org, "File:LG KE850 Prada Hauptmenü.jpg," (http://en.wikipedia.org/wiki/File:LG_KE850_Prada_Hauptmen%C3%BC.jpg), accessed Feb. 12, 2012, 4 pages.

(56)

References Cited

OTHER PUBLICATIONS

Wikipedia.org, "iPAQ" (<http://en.wikipedia.org/wiki/IPAQ>), last modified May 4, 2011, 7 pages.

Wikipedia.org, "LifeDrive" (<http://en.wikipedia.org/wiki/LifeDrive>), last modified Mar. 16, 2011, 3 pages.

Wikipedia.org, "Pocket viewer," (http://en.wikipedia.org/wiki/Pocket_viewer), last modified Apr. 10, 2011, 4 pages.

Wikipedia.org, "Zire Handheld" (http://en.wikipedia.org/wiki/Zire_Handheld), last modified Dec. 11, 2010, 4 pages.

Wu, Debbie, "All three iPhone 8 models to have glass backs" *Nikkei Asian Review*, Oct. 26, 2016, accessed at (<https://asia.nikkei.com/Business/Companies/All-three-iPhone-8-models-to-have-glass-backs?page=1>).

ZDNet, "Viewsonic V1100," (<http://www.zdnet.nl/reviews/24712/viewsonic-v1100/>), published Feb. 17, 2003, 9 pages.

Ziegler, C., Engadget, "The LG KE850: touchable chocolate," (<http://mobile.engadget.com/2006/12/15/the-lg-ke850-touchable-chocolate/>), published Dec. 15, 2006, 5 pages.

Brownlee, Marques, "Apple iPhone X Unboxing!" Youtube.com, Oct. 31, 2017, Available at <<https://youtu.be/0DoQYGZt8M?t=68>>.

Gorsler, Fabian, "Leak Suggests Apple Will Release 3 New iPhone Models in 2018" *Highsnobiety.com*, Nov. 14, 2017, Available at <<https://www.highsnobiety.com/2017/11/14/three-new-iphones-2018/>>.

Karmakar, Amit, "The iPhone X plus 2018 Dummy model and leaks" Youtube.com, Dec. 1, 2017, Available at <<https://www.youtube.com/watch?v=1pEesplOd4>>.

Maggio, Edoardo, "These renders show what Apple might have planned for the successor to the iPhone X" *BusinessInsider.com*, Jan. 24, 2018, Available at <<https://www.businessinsider.com.au/martin-hajek-renders-apple-2018-iphone-x-successor-2018-1?r=US&IR=T>>.

Everythingapplepro, "The 2018 iPhone X Plus Will be Big!" Youtube.com, Feb. 12, 2018, Available at <<https://youtu.be/m2iMjpAkTeQ?t=14>>.

* cited by examiner

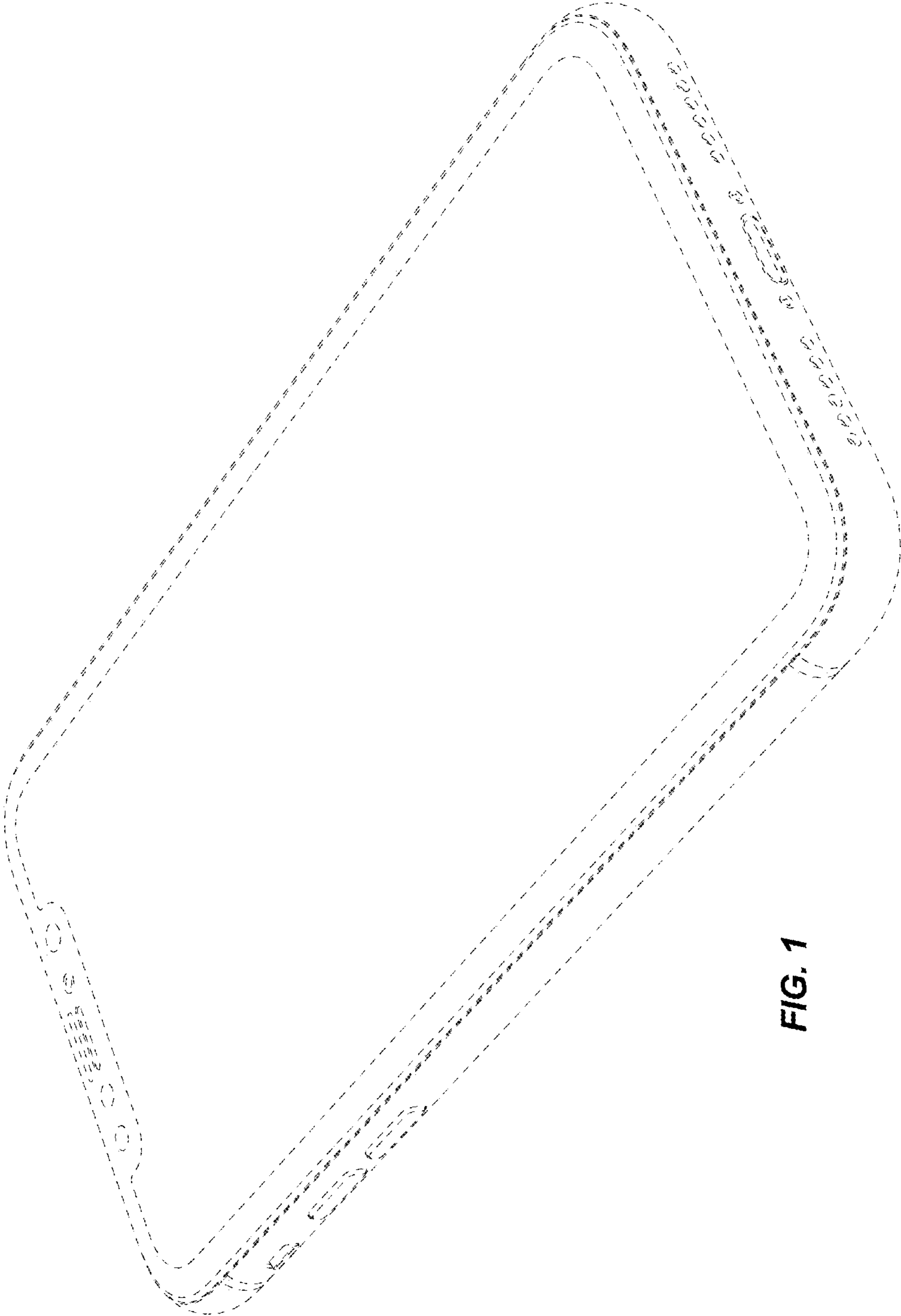


FIG. 1

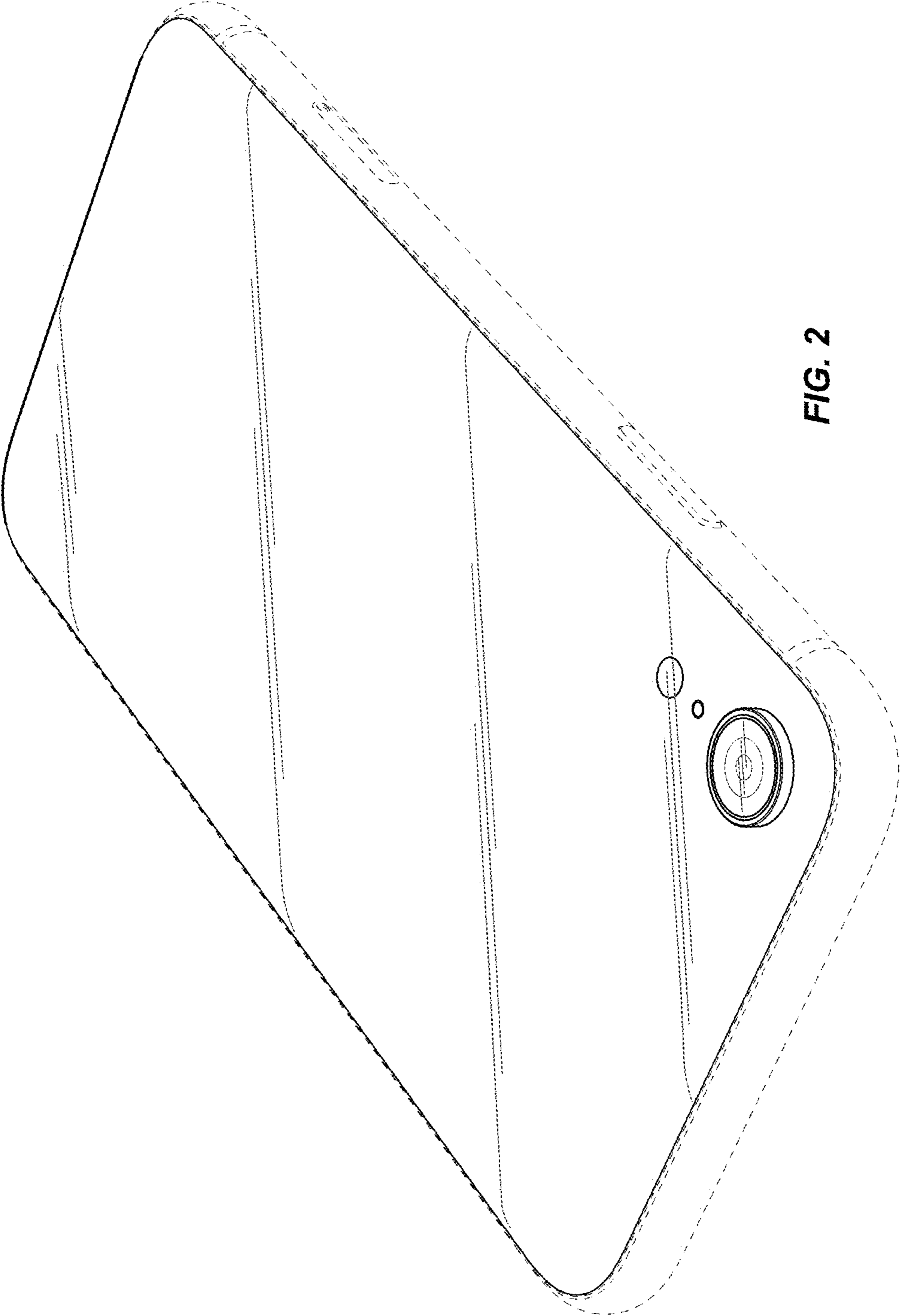


FIG. 2

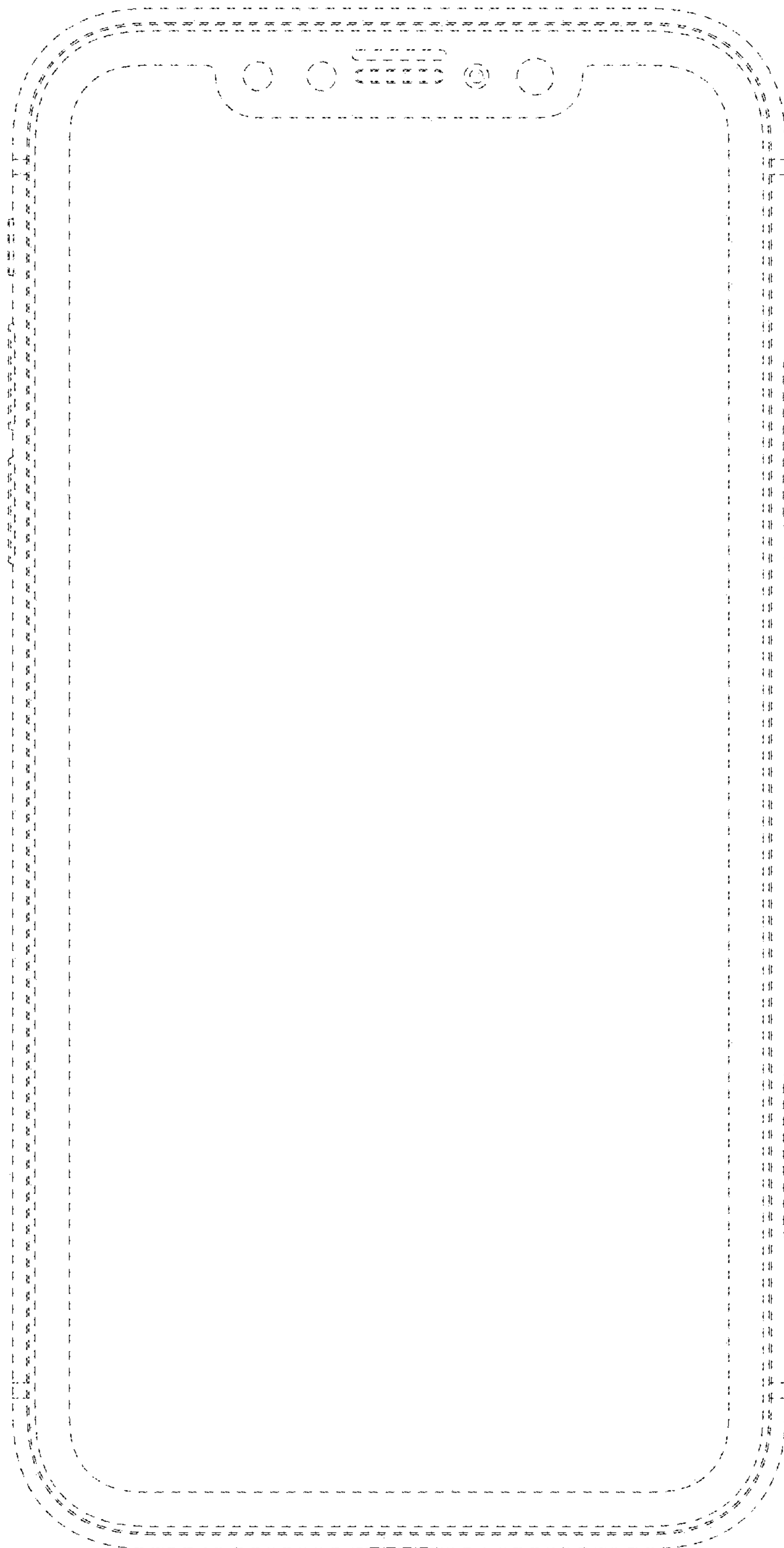


FIG. 3

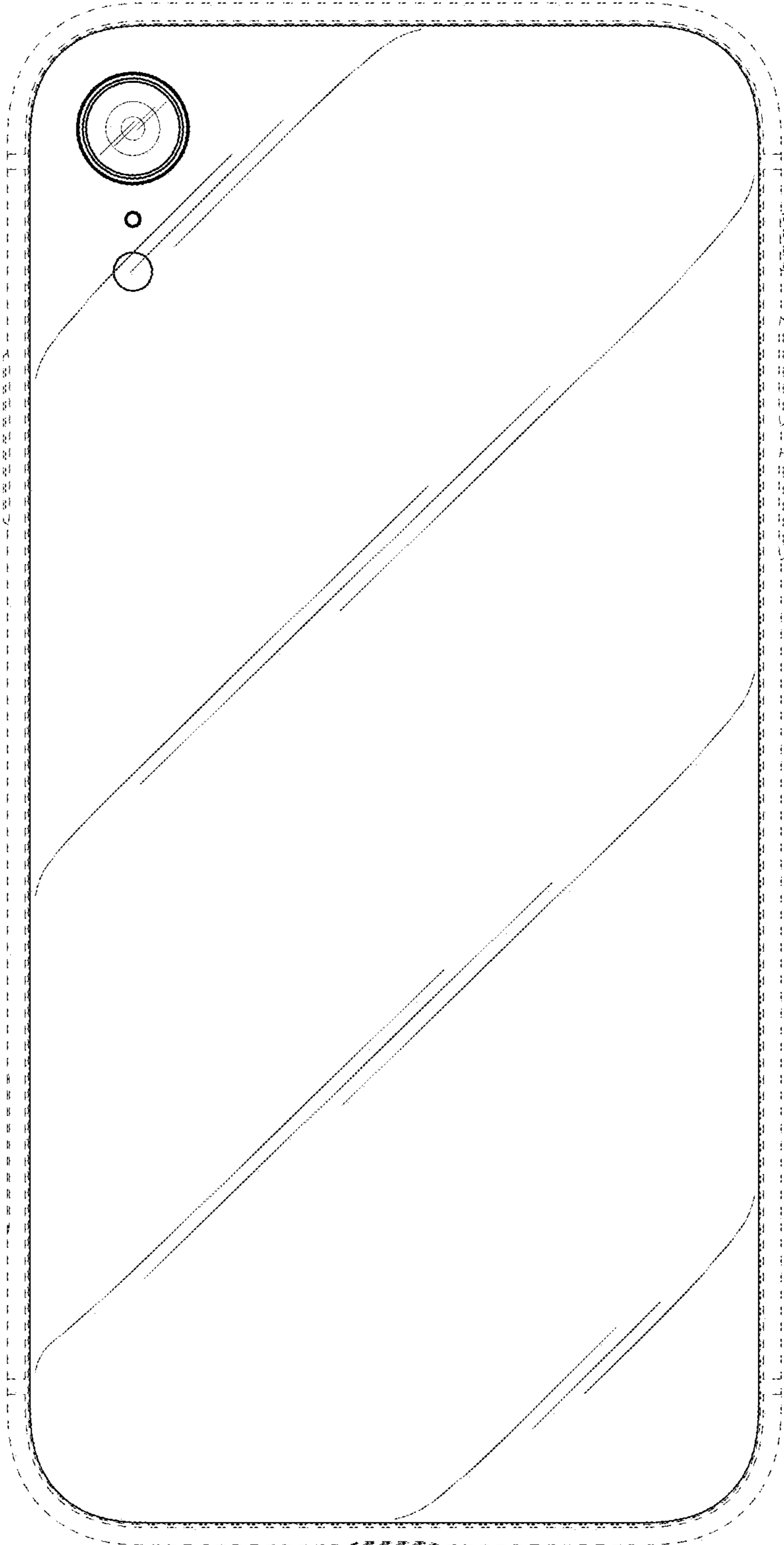


FIG. 4



FIG. 5

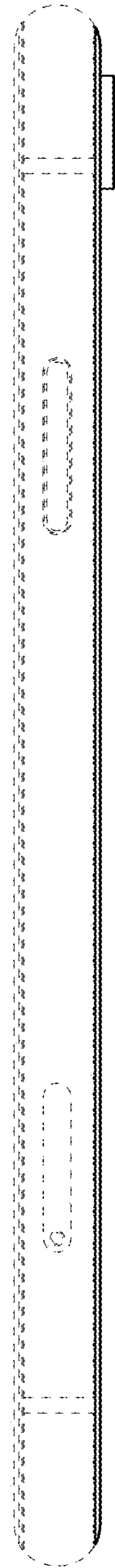


FIG. 6

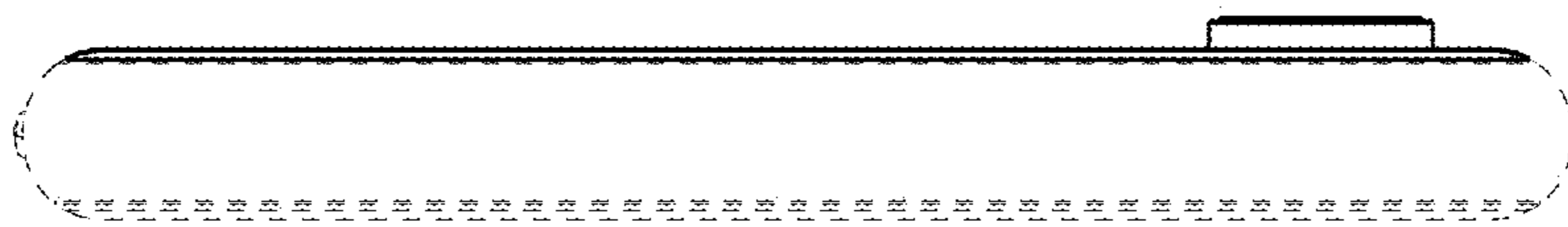


FIG. 7

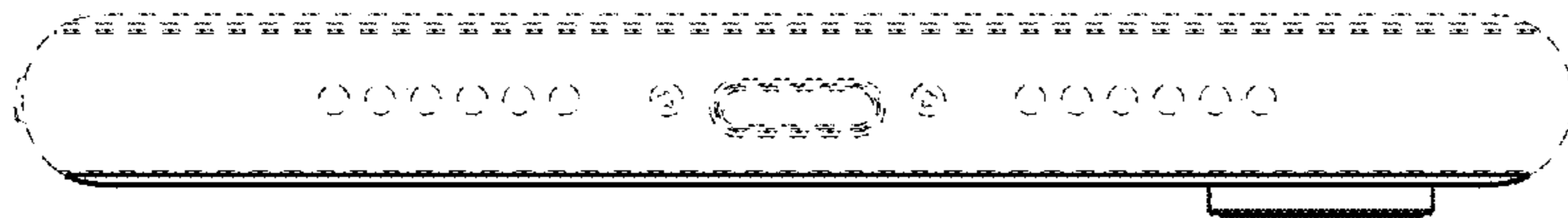


FIG. 8