



US00D924867S

(12) **United States Design Patent**
Chen

(10) **Patent No.:** **US D924,867 S**
(45) **Date of Patent:** **** Jul. 13, 2021**

(54) **ALL-IN-ONE COMPUTER**

FOREIGN PATENT DOCUMENTS

(71) Applicant: **Lenovo (Beijing) Co., Ltd.**, Beijing (CN)

DE 102019107714 A1 * 10/2019 G06F 3/0213
WO WO-2008143235 A1 * 11/2008 H05K 5/0017
(Continued)

(72) Inventor: **Xi Chen**, Beijing (CN)

OTHER PUBLICATIONS

(73) Assignee: **Lenovo (Beijing) Co., Ltd.**, Beijing (CN)

Trigem Computer Inc., KR Design No. 300524811, published at Orbit, publication date Apr. 2, 2009. Site visited Nov. 24, 2020. Available from Internet. (Year: 2009).*

(**) Term: **15 Years**

(Continued)

(21) Appl. No.: **35/508,790**

Primary Examiner — Kathleen L Jones

(22) Filed: **Jun. 21, 2019**

(74) *Attorney, Agent, or Firm* — Oppedahl Patent Law Firm LLC

(80) **Hague Agreement Data**

Int. Filing Date: **Jun. 21, 2019**
Int. Reg. No.: **DM/206297**
Int. Reg. Date: **Jun. 21, 2019**
Int. Reg. Pub. Date: **Mar. 13, 2020**

(57) **CLAIM**

The ornamental design for an all-in-one computer, as shown and described.

(30) **Foreign Application Priority Data**

Dec. 21, 2018 (CN) 201830746550.7

(51) **LOC (13) Cl.** **14-02**

(52) **U.S. Cl.**
USPC **D14/336; D14/375**

(58) **Field of Classification Search**
USPC D14/334–337, 371, 374–382, 126–129,
D14/314, 451–452, 447, 339–340, 316,
D14/307

(Continued)

(56) **References Cited**

U.S. PATENT DOCUMENTS

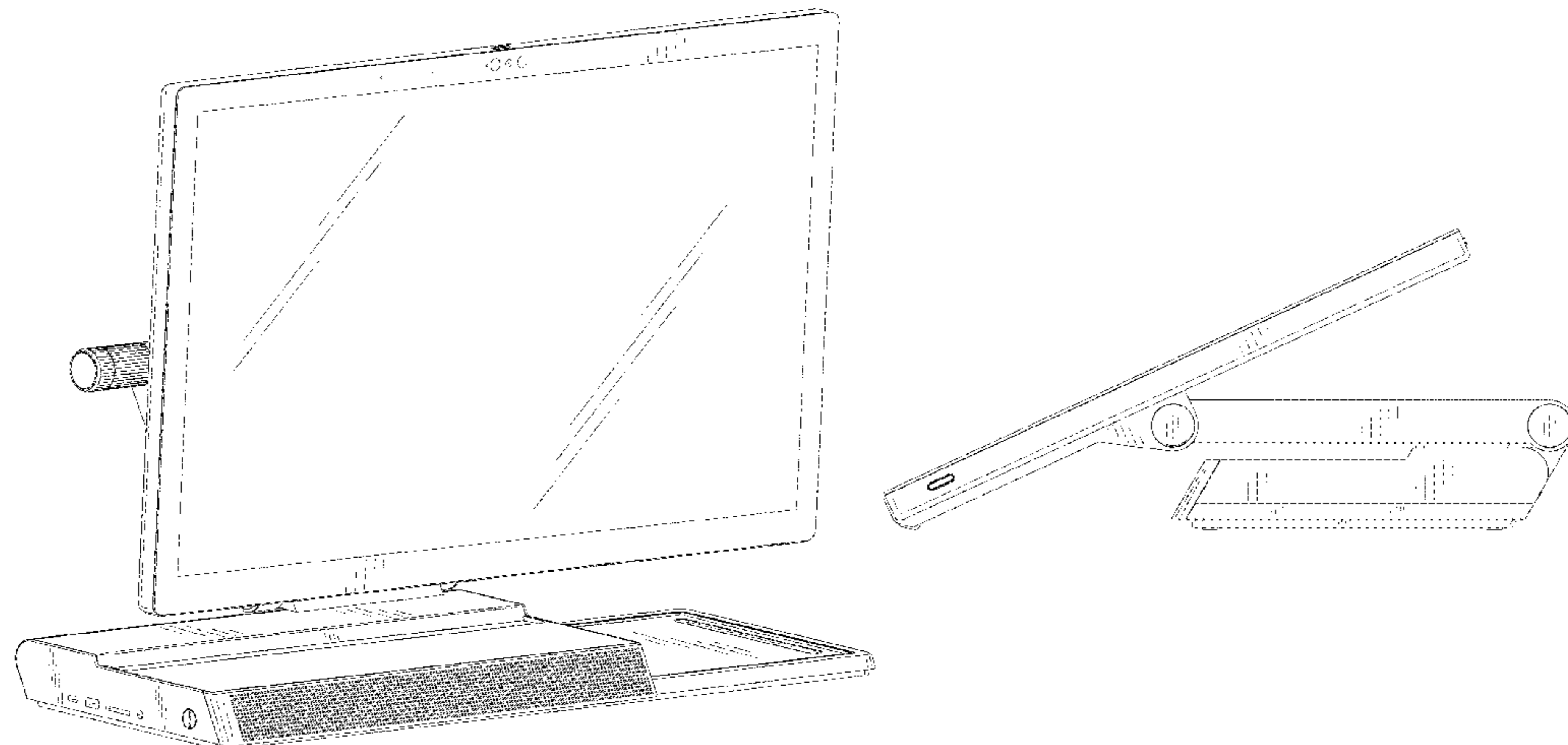
D317,760 S * 6/1991 Esslinger D14/451
D339,796 S * 9/1993 Goodner D14/375

(Continued)

DESCRIPTION

FIG. 1.1 is a left side view;
FIG. 1.2 is a right side view;
FIG. 1.3 is a front view;
FIG. 1.4 is a rear view;
FIG. 1.5 is a top view;
FIG. 1.6 is a bottom view;
FIG. 1.7 is a perspective view;
FIG. 1.8 is a perspective view of the control device of the all-in-one computer shown enlarged and separate for clarity of illustration;
FIG. 1.9 is a right side view of the all-in-one computer in a second, folded configuration;
FIG. 1.10 is a perspective view of the all-in-one computer shown separate from the control device for clarity of illustration; and
FIG. 1.11 is a perspective view of the all-in-one computer in a third configuration where the control member is connected to the opposite side port.

(Continued)



The broken lines shown in the drawings illustrate portions of the all-in-one computer that form no part of the claimed design.

1 Claim, 11 Drawing Sheets

(58) Field of Classification Search

CPC G06F 1/16; G06F 1/1601; G06F 1/1605;
G06F 1/162; G06F 1/1622; G06F 1/1637;
G06F 1/166; G06F 3/0412; F16M 11/10;
F16M 11/16; F16M 11/08; F16M 11/105;
F16M 11/2028; F16M 2200/021; F16M
2200/00; G02F 1/1333

See application file for complete search history.

(56) References Cited

U.S. PATENT DOCUMENTS

D349,489 S * 8/1994 Wang D14/375
D483,757 S * 12/2003 Olson D14/371
D533,155 S * 12/2006 Nakata D14/126
D554,639 S * 11/2007 Kim D14/375
D567,237 S * 4/2008 Kim D14/314
D569,815 S * 5/2008 Otani D14/126
D578,087 S * 10/2008 Yokota D14/126
D589,964 S * 4/2009 Heggland D14/434
D590,785 S * 4/2009 Yokota D14/126
D599,756 S * 9/2009 Yokota D14/126
D599,792 S * 9/2009 Lin D14/331
D601,522 S * 10/2009 Chen D14/126
D631,042 S * 1/2011 Chen D14/337
D637,169 S * 5/2011 Kim D14/126
D657,789 S * 4/2012 Lee D14/374
D661,672 S * 6/2012 Kim D14/126
D665,801 S * 8/2012 Liu D14/374
D683,709 S * 6/2013 Choi D14/126
D714,794 S * 10/2014 Quijano D14/447
D732,032 S * 6/2015 Lee D14/374
D750,066 S * 2/2016 Lin D14/341

D803,827 S * 11/2017 Escolin D14/336
10,159,158 B2 * 12/2018 Park F16M 11/10
D872,086 S * 1/2020 Zhong D14/383
D875,737 S * 2/2020 Escolin D14/451
D897,338 S * 9/2020 Escolin D14/336
D902,296 S * 11/2020 Cathala D18/4.5
2004/0057197 A1 * 3/2004 Hill G06F 1/1654
361/679.06
2014/0340827 A1 * 11/2014 Truong G06F 1/1601
361/679.22
2016/0070964 A1 * 3/2016 Conrad G07G 1/0018
348/150
2020/0133368 A1 * 4/2020 Volek G06F 1/1601
2020/0363836 A1 * 11/2020 Gupta G06F 1/1616
2020/0409410 A1 * 12/2020 Kawaguchi G06F 1/1605
2020/0409433 A1 * 12/2020 Strobridge G06F 1/1615

FOREIGN PATENT DOCUMENTS

WO WO-2009105381 A2 * 8/2009 G06F 1/1601
WO WO-2013015771 A1 * 1/2013 F16M 11/2021

OTHER PUBLICATIONS

Lee et al., Samsung Electronics Co Ltd., KR Design No. 300757664, published at Orbit, publication date Aug. 24, 2016. Site visited Nov. 24, 2020. Available from Internet. (Year: 2016).*

Hanson, Matt, Lenovo A940 all-in-one computer review, posted at TechRadar, posting date Sep. 18, 2019. Site visited Nov. 24, 2020. URL: <<https://www.techradar.com/in/reviews/lenovo-yoga-a940>> (Year: 2019).*

Hollister, Sean, The Best All-In-One PC, posted at The Verge, posting date Dec. 20, 2012. Site visited Nov. 24, 2020. URL: <<https://www.theverge.com/2012/12/20/3787750/best-all-in-one-pc-desktop-windows-8-touchscreen>> (Year: 2012).*

de Looter, Christian, The best all-in-one PCs you can buy, posted at Business Insider, posting date Jan. 29, 2018. Site visited Nov. 24, 2020. URL: <<https://www.businessinsider.com/best-all-in-one-pc>> (Year: 2018).*

* cited by examiner

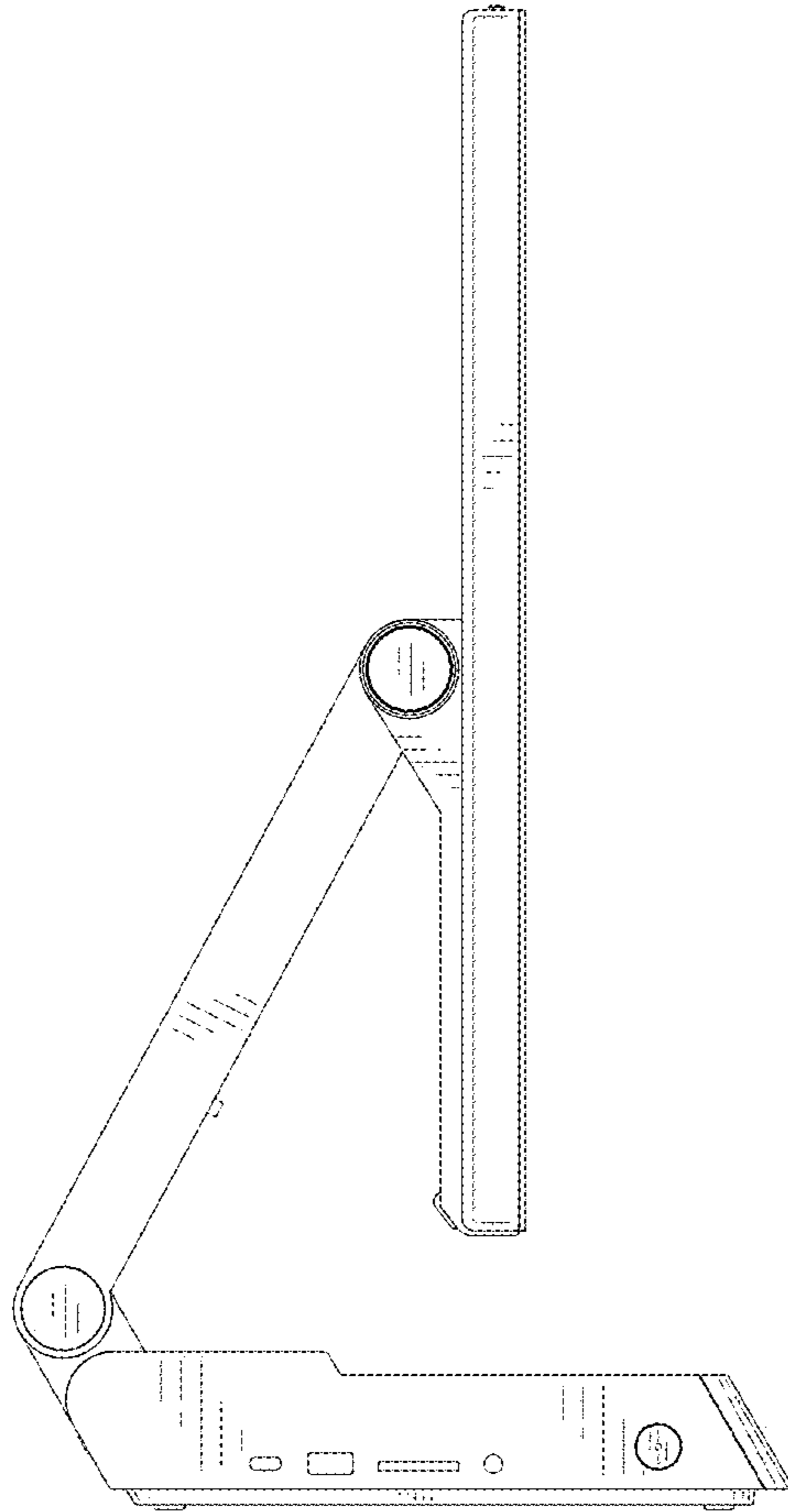


FIG. 1.1

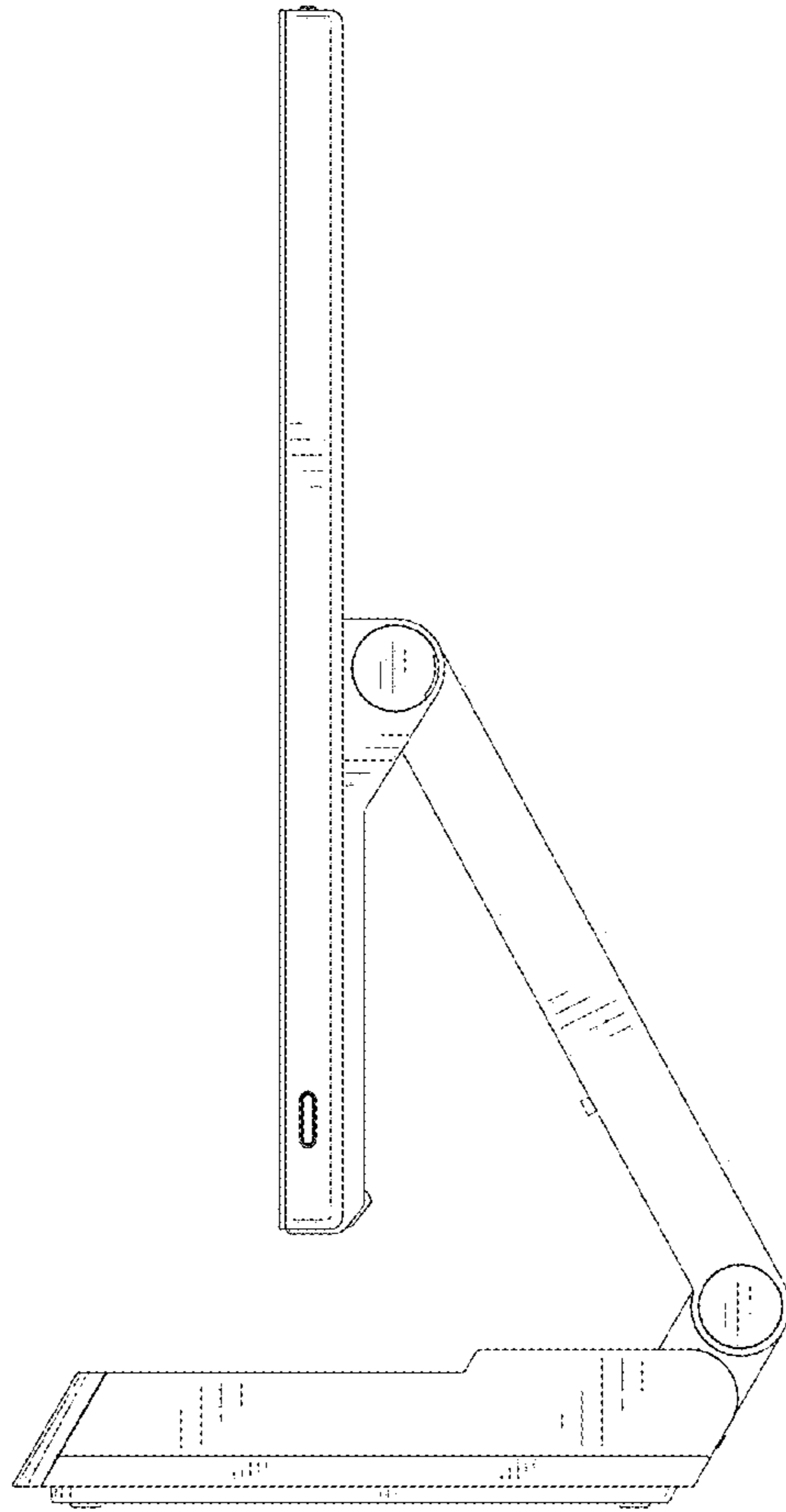


FIG. 1.2

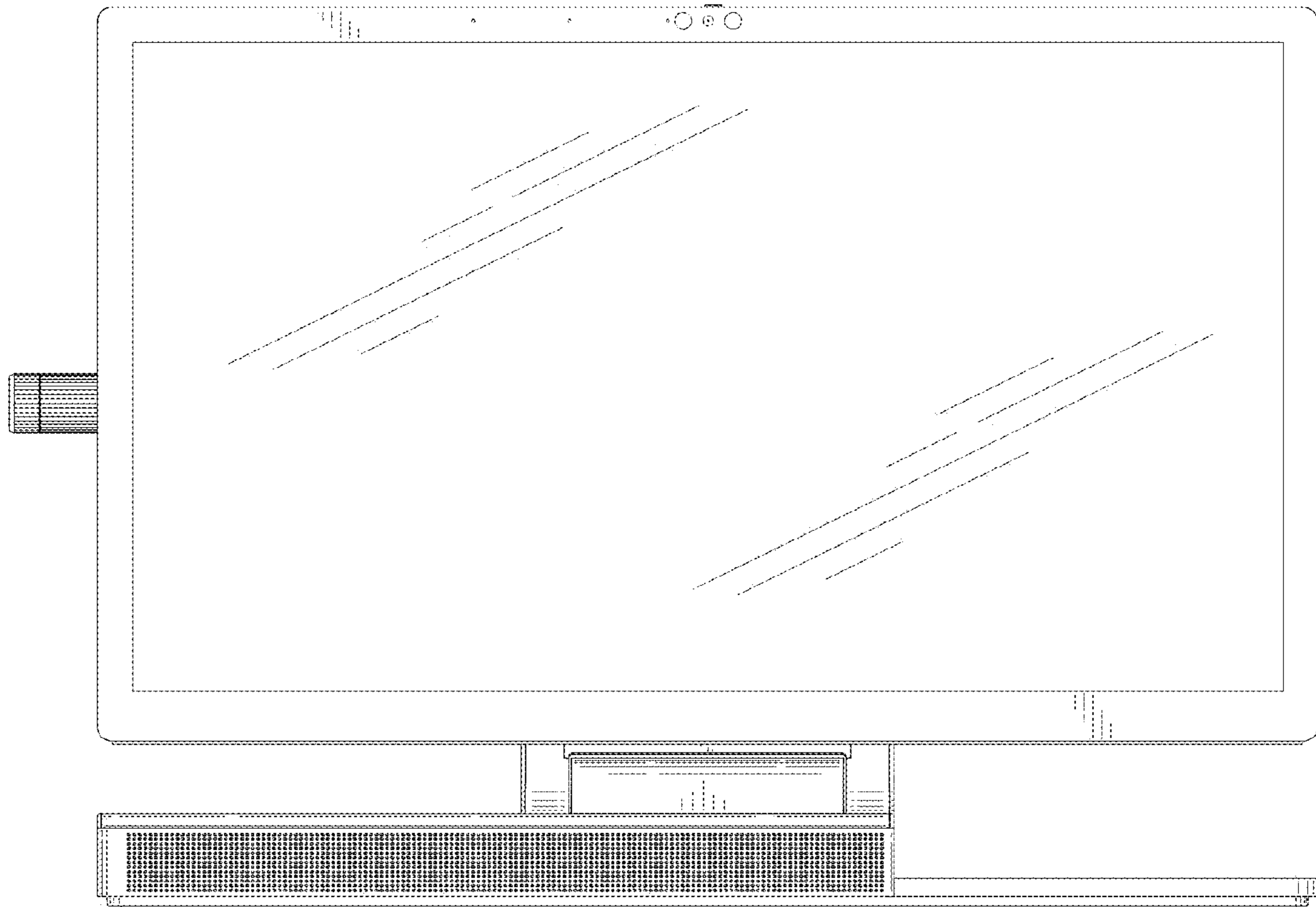


FIG. 1.3

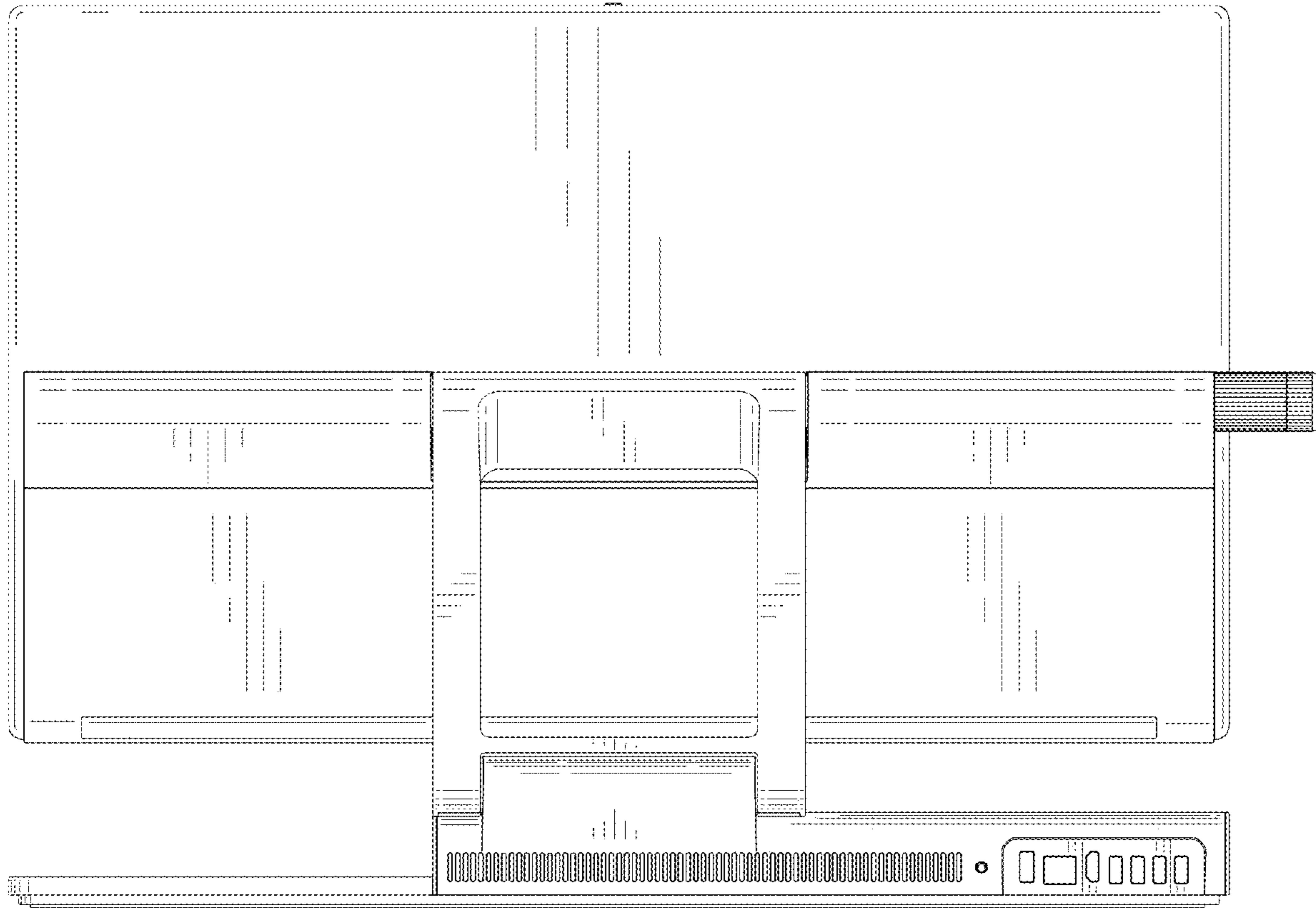


FIG. 1.4

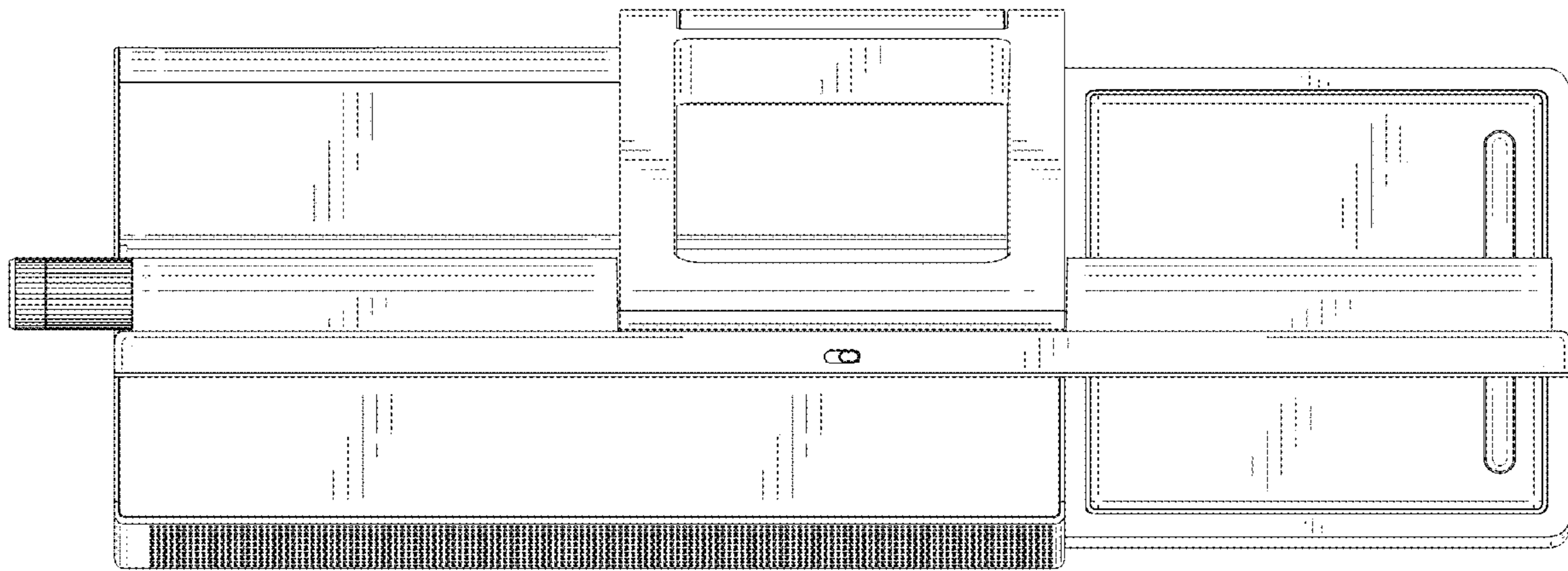


FIG. 1.5

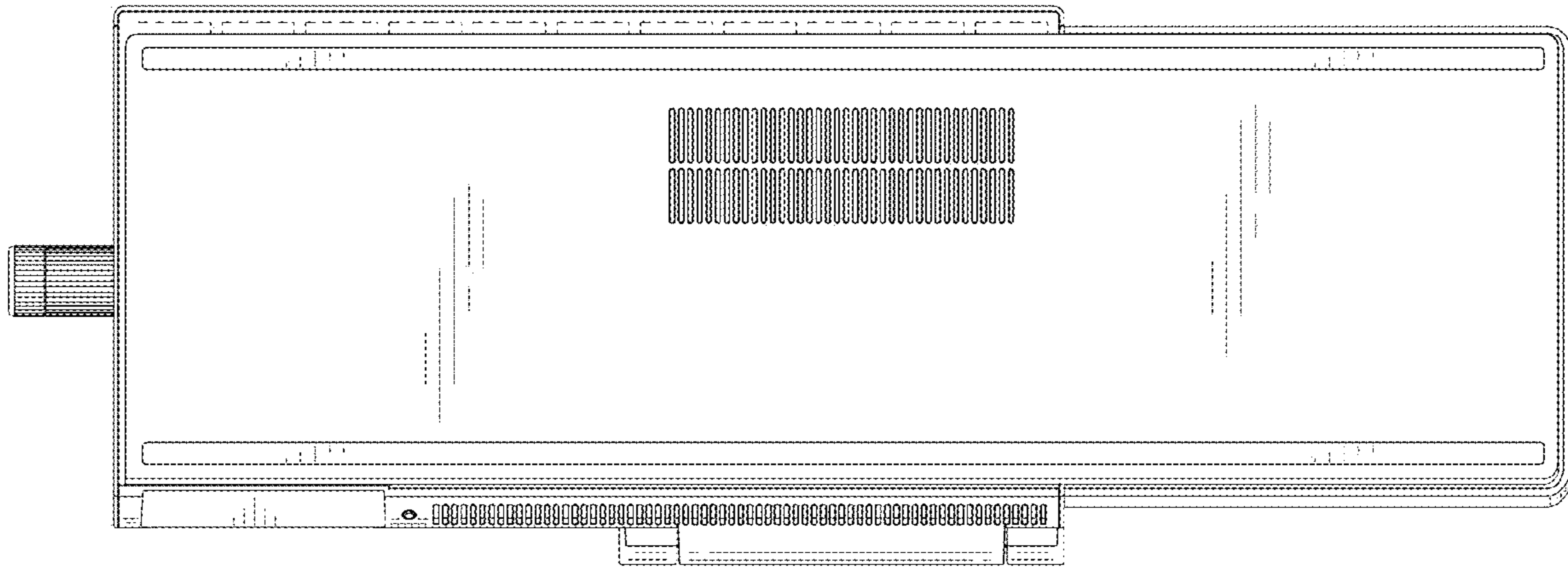


FIG. 1.6

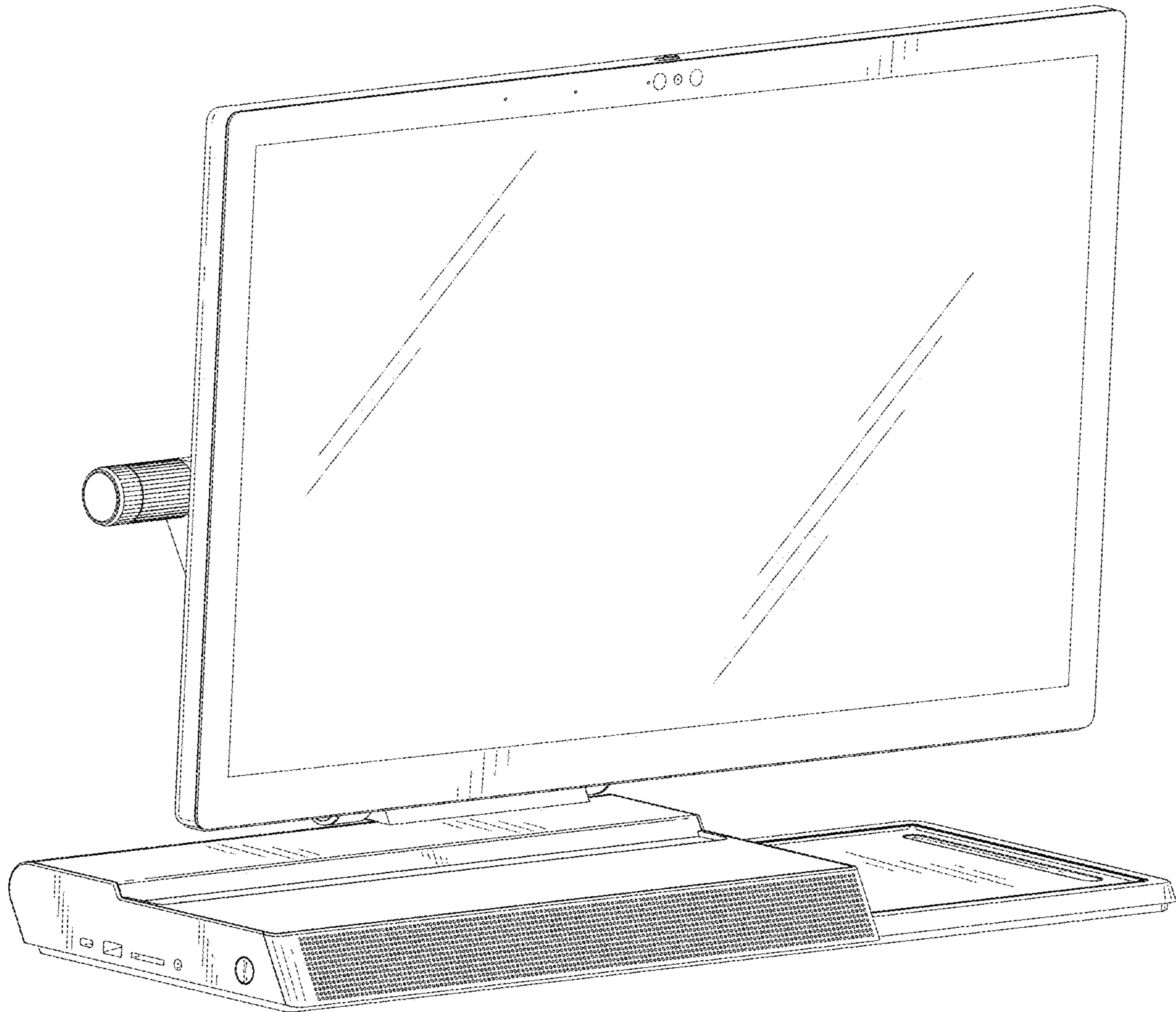


FIG. 1.7

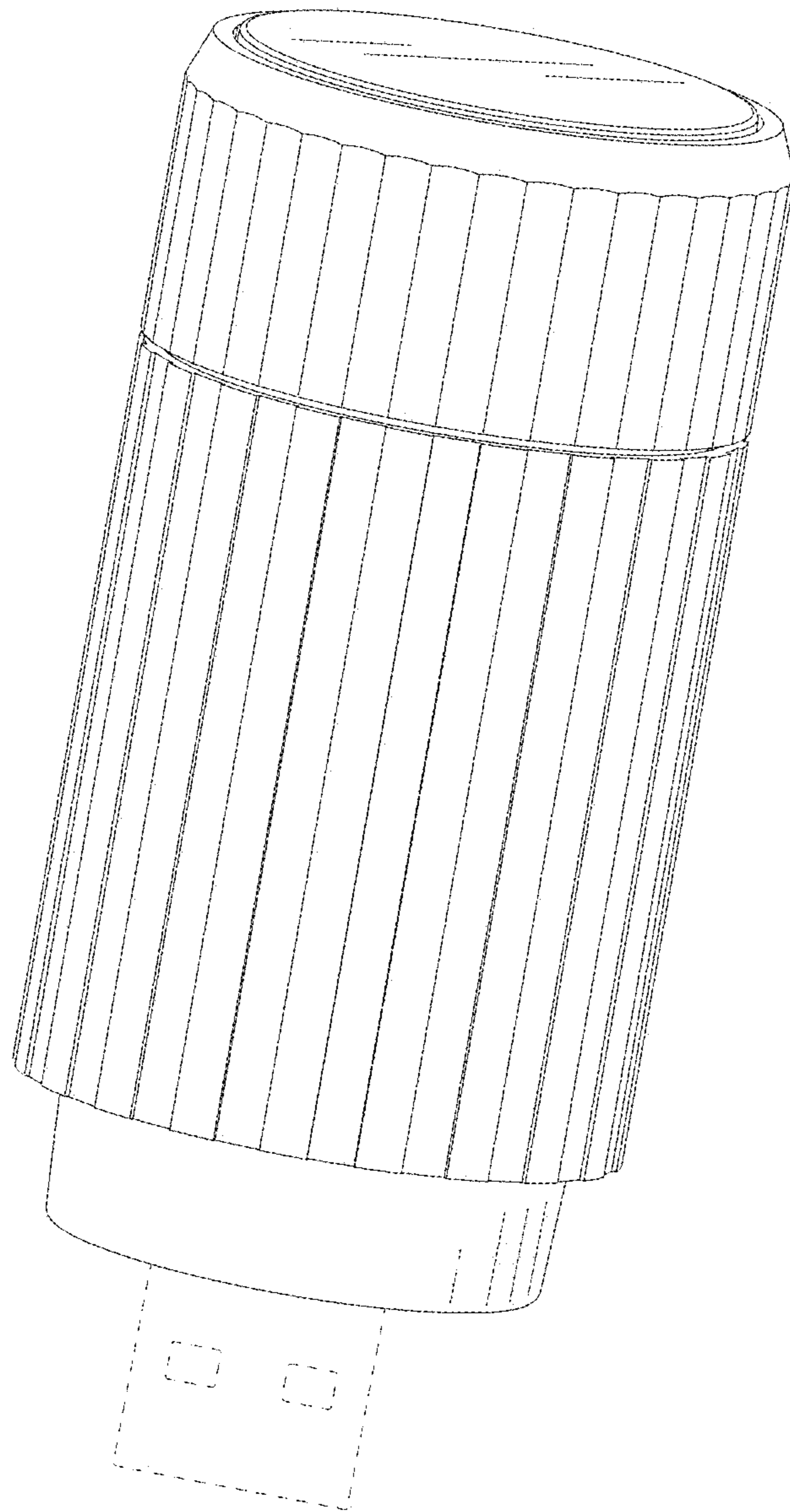


FIG. 1.8

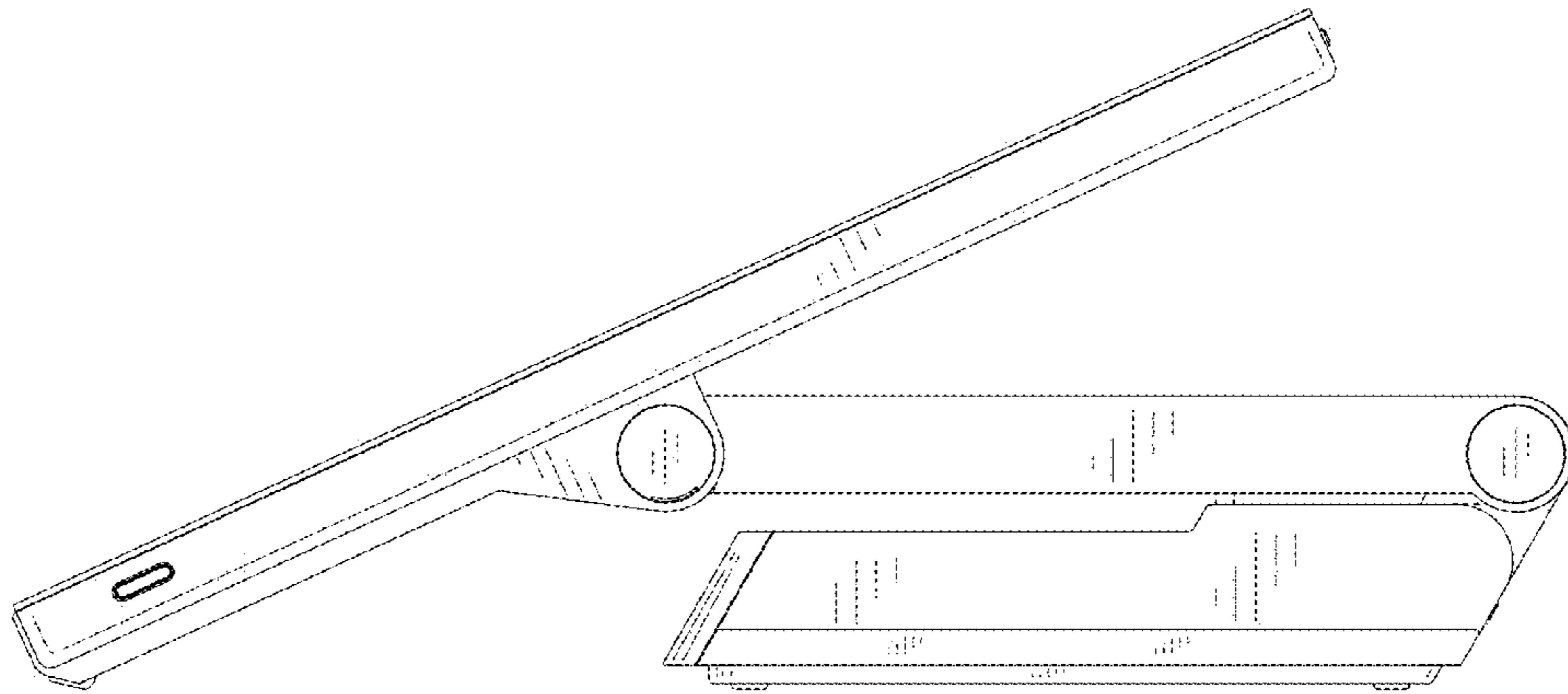


FIG. 1.9

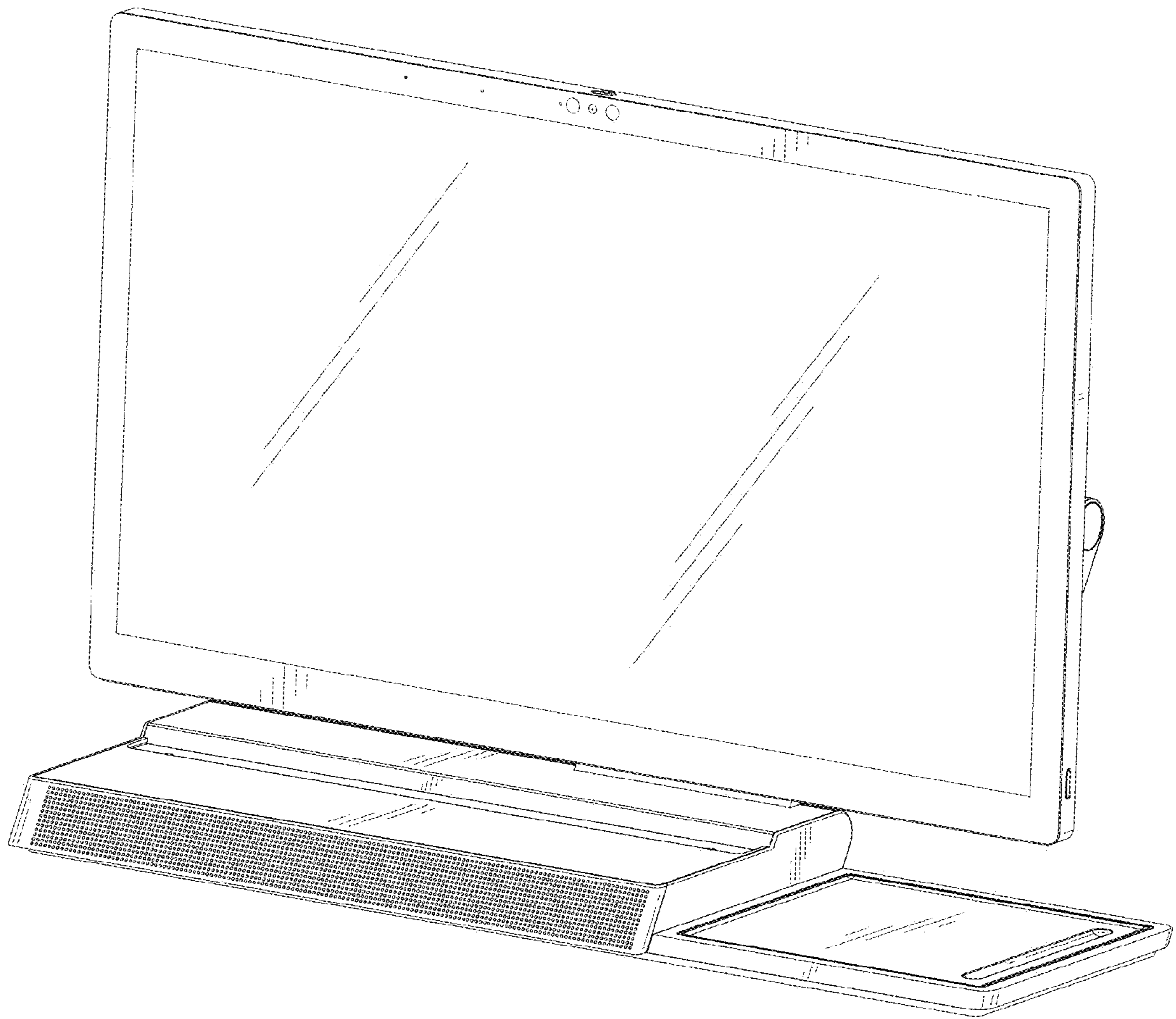


FIG. 1.10

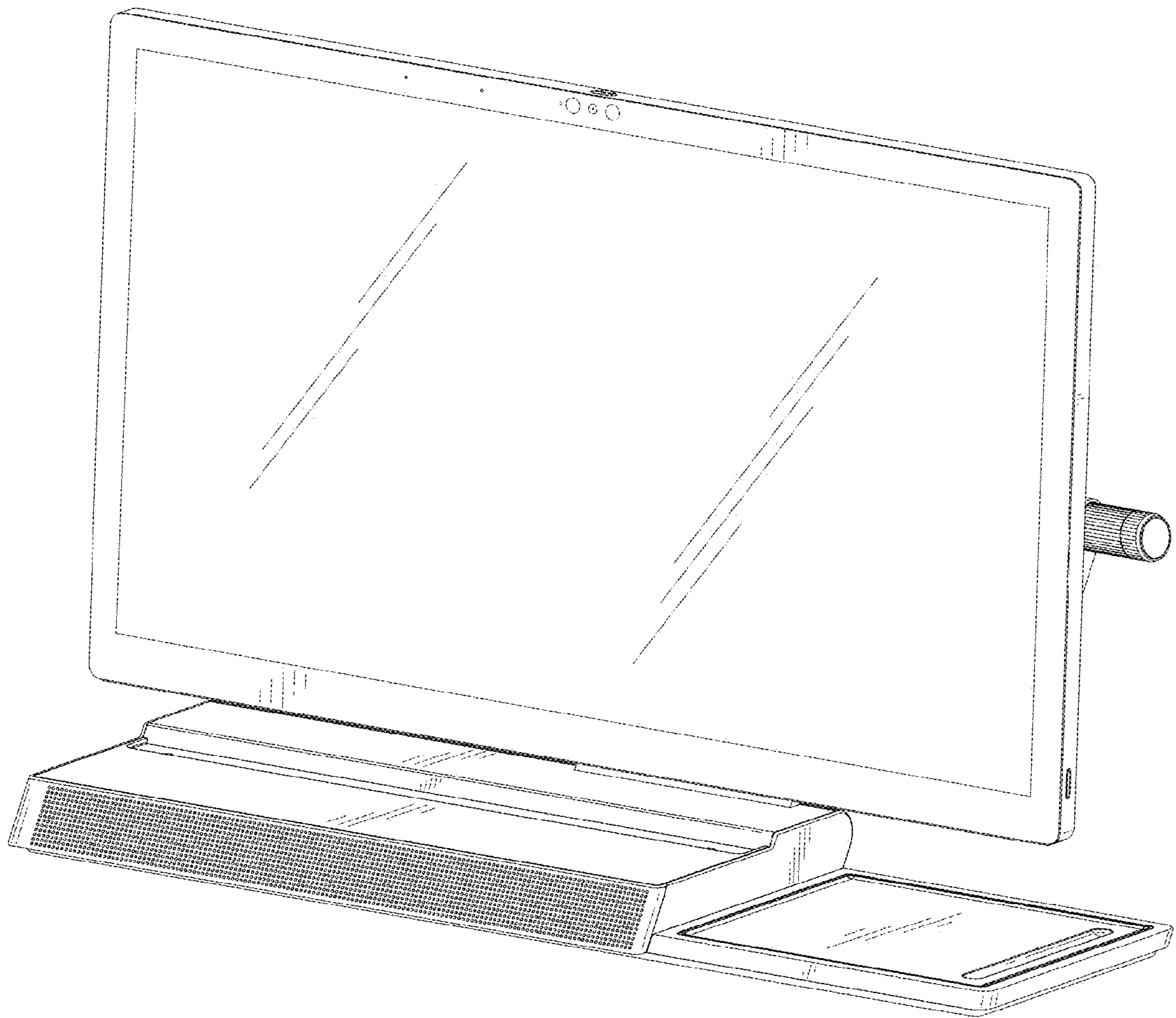


FIG. 1.11