



US00D924866S

(12) **United States Design Patent** (10) **Patent No.:** **US D924,866 S**
Michaelian et al. (45) **Date of Patent:** **** Jul. 13, 2021**

- (54) **SOUND SYSTEM FOR ELECTRONIC DEVICE**
- (71) Applicant: **Dolby Laboratories Licensing Corporation**, San Francisco, CA (US)
- (72) Inventors: **Peter Michaelian**, Tappan, NY (US); **Grayson H. Byrd**, San Francisco, CA (US); **Christine Anna Naples**, San Francisco, CA (US)
- (73) Assignee: **DOLBY LABORATORIES LICENSING CORPORATION**, San Francisco, CA (US)
- (**) Term: **15 Years**
- (21) Appl. No.: **29/646,228**
- (22) Filed: **May 2, 2018**

Related U.S. Application Data

- (62) Division of application No. 29/559,410, filed on Mar. 28, 2016, now Pat. No. Des. 819,625.
- (51) **LOC (13) Cl.** **14-01**
- (52) **U.S. Cl.**
USPC **D14/315**; D14/219; D14/214
- (58) **Field of Classification Search**
USPC D14/315, 219–221, 224, 224.1, 444; D5/1–4, 54, 60
CPC G06F 1/1618; G06F 1/181; G06F 1/182; H05K 7/1487; H05K 7/18; H05K 9/0062; H05K 9/0081; Y10T 428/1234; Y10T 428/12368
See application file for complete search history.

(56) **References Cited**

U.S. PATENT DOCUMENTS

- 1,089,613 A * 3/1914 Wixom E01C 5/16 404/21
- D360,627 S * 7/1995 Leventhal D14/444

- 5,708,561 A 1/1998 Huilgol et al.
 - 5,917,695 A 6/1999 Youn
 - D451,495 S * 12/2001 McGurty D14/214
 - D454,110 S * 3/2002 Andre D13/110
 - D464,358 S * 10/2002 Chien D14/444
- (Continued)

OTHER PUBLICATIONS

2014 Mercedes-Benz Burmester grille | posted at drivingemotions.com no date; circa 2014 [online]. © 2020 Driving Emotions [retrieved May 7, 2020] from Internet: <<https://www.drivingemotions.com/2014-mercedes-benz-s63-amg-renntech-63-renntech-c-105.htm>> (Year: 2014).*

Primary Examiner — Katherine Glennon
(74) *Attorney, Agent, or Firm* — McAndrews, Held & Malloy, Ltd.

(57) **CLAIM**

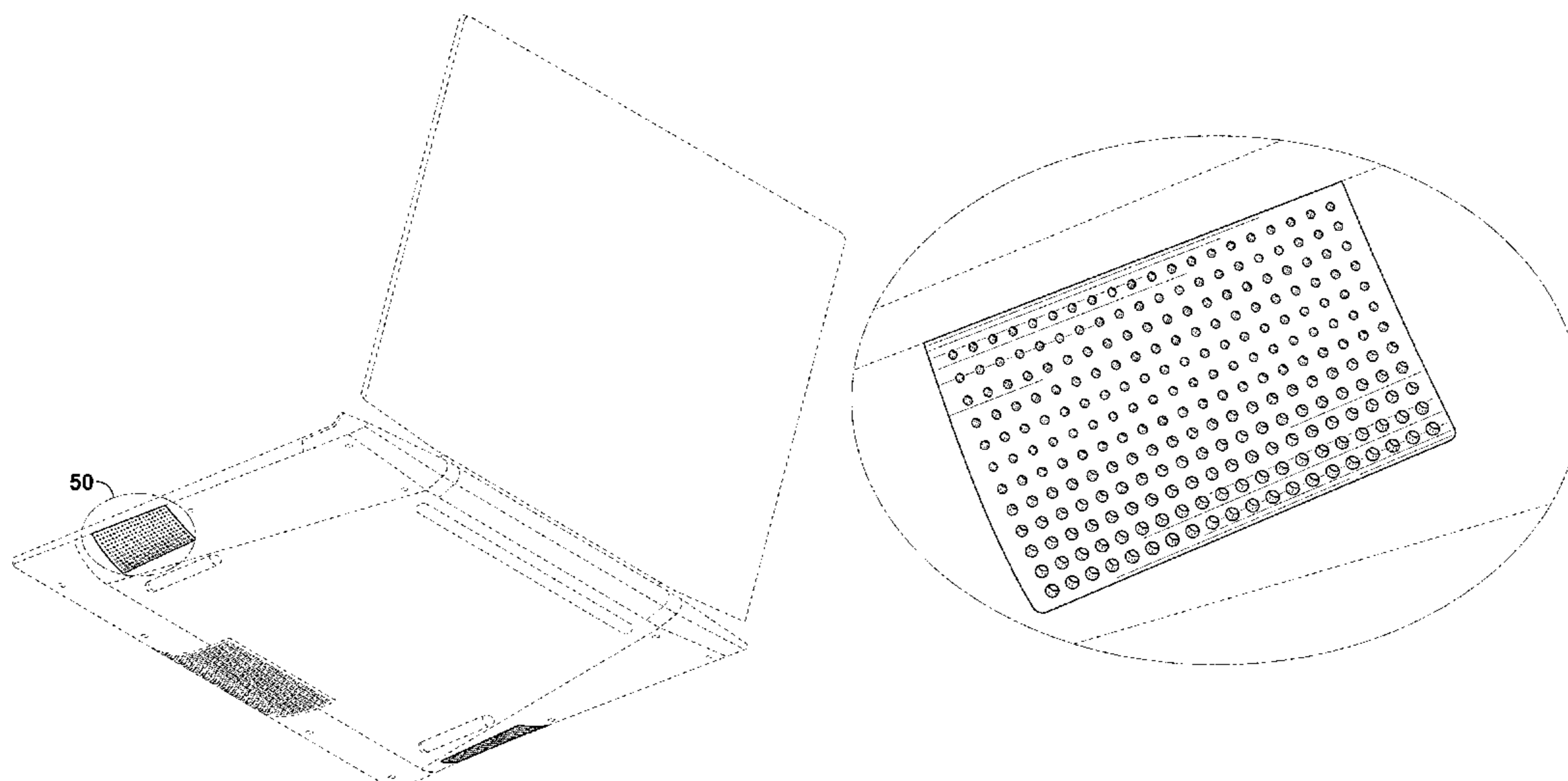
The ornamental design for a sound system for electronic device, as shown and described.

DESCRIPTION

FIG. 1 is a front perspective view of a sound system for electronic device showing our new design;
 FIG. 2 is a front elevation view thereof;
 FIG. 3 is a rear elevation view thereof;
 FIG. 4 is a right-side elevation view thereof;
 FIG. 5 is a left-side elevation view thereof;
 FIG. 6 is a top plan view thereof;
 FIG. 7 is a bottom plan view thereof;
 FIG. 8 is a rear perspective view thereof; and,
 FIG. 9 is an enlarged rear perspective view of the portion encircled in FIG. 8.

The dashed broken lines in the drawings show environment and portions of the sound system for electronic device that form no part of the claimed design.
 The dot-dash broken lines in the drawings encircle portions of the claimed design that are illustrated in enlargements and form no part of the claimed design.

1 Claim, 9 Drawing Sheets



(56)

References Cited

U.S. PATENT DOCUMENTS

D480,728 S * 10/2003 Tanaka D14/444
 6,657,854 B2 12/2003 Horii et al.
 6,697,495 B1 2/2004 Youn
 6,744,623 B2 6/2004 Numano et al.
 D496,049 S * 9/2004 Heinz D14/444
 D524,244 S * 7/2006 Hussaini D14/209.1
 D525,249 S * 7/2006 Chen D14/444
 D526,322 S * 8/2006 Chen D14/444
 7,200,000 B1 * 4/2007 Huang G06F 1/1616
 361/679.55
 D547,310 S * 7/2007 Yoon D14/315
 D554,131 S * 10/2007 Liu D14/444
 D557,814 S * 12/2007 Glenn D24/217
 D616,466 S * 5/2010 Sheppard D14/501
 D630,626 S 1/2011 Fujita et al.
 D644,211 S * 8/2011 Hao D14/219
 D651,590 S * 1/2012 Kang D14/223
 8,170,266 B2 5/2012 Hopkinson et al.

D675,187 S * 1/2013 Nousiainen D14/204
 D676,890 S * 2/2013 Sheppard D16/219
 D681,006 S * 4/2013 Kim D14/204
 D685,377 S * 7/2013 Hsu D14/439
 D691,130 S * 10/2013 Hsu D14/318
 D695,268 S * 12/2013 Holzer D14/204
 D706,756 S * 6/2014 Myung D14/315
 D706,759 S * 6/2014 Myung D14/315
 D713,848 S * 9/2014 Akana D14/440
 D714,791 S * 10/2014 Liu D14/440
 8,886,264 B2 * 11/2014 Mori G06F 1/1618
 345/168
 8,976,992 B2 3/2015 Loo et al.
 D734,318 S 7/2015 Lee et al.
 D736,199 S 8/2015 Hirano
 D752,013 S * 3/2016 Benedetti D14/204
 D769,239 S * 10/2016 Li D14/315
 9,747,866 B2 * 8/2017 Ip G09G 5/10
 D810,070 S * 2/2018 Wang D14/318
 D819,625 S * 6/2018 Michaelian D14/315
 2003/0223610 A1 12/2003 Tanemura et al.

* cited by examiner

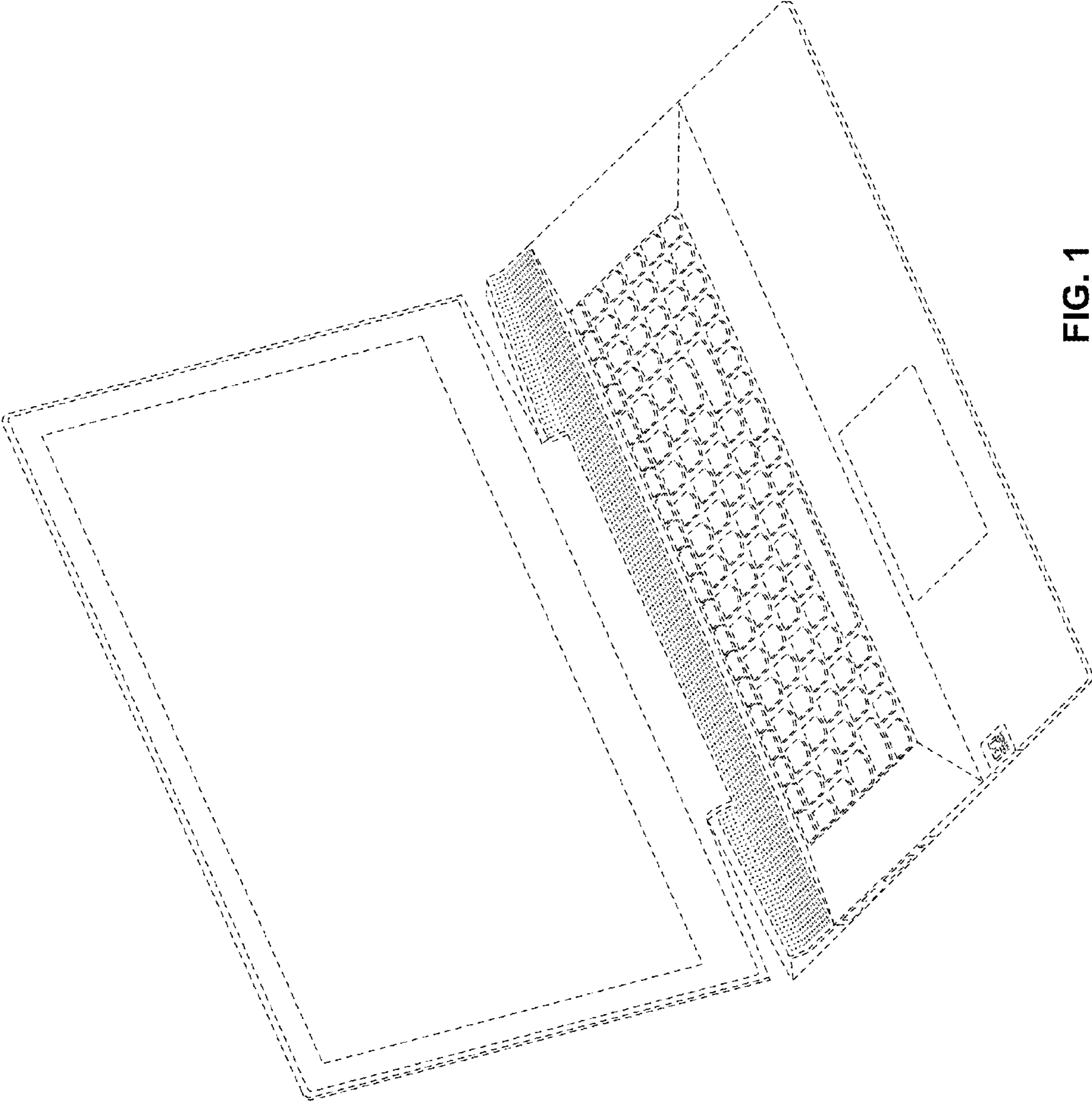


FIG. 1

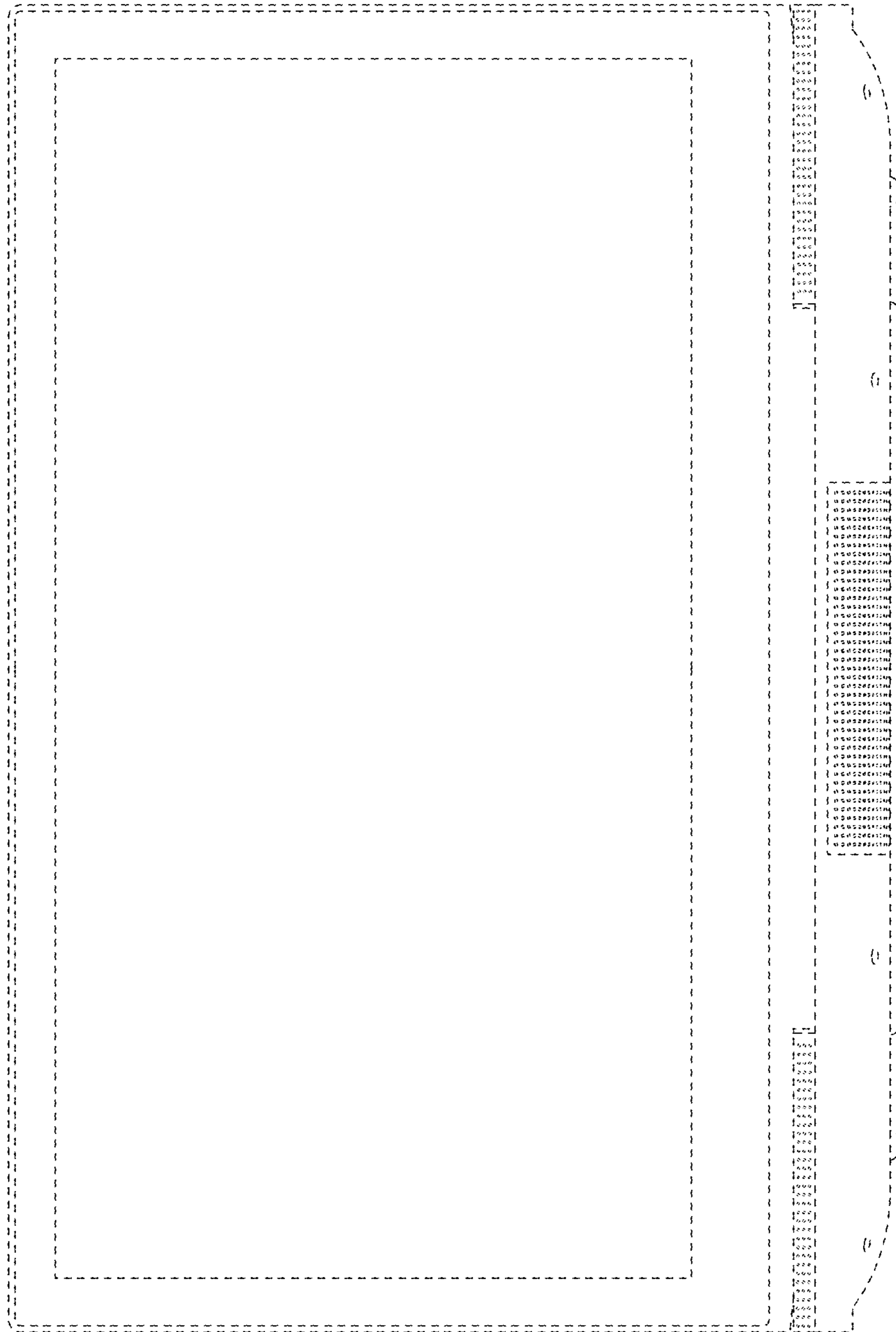


FIG. 2

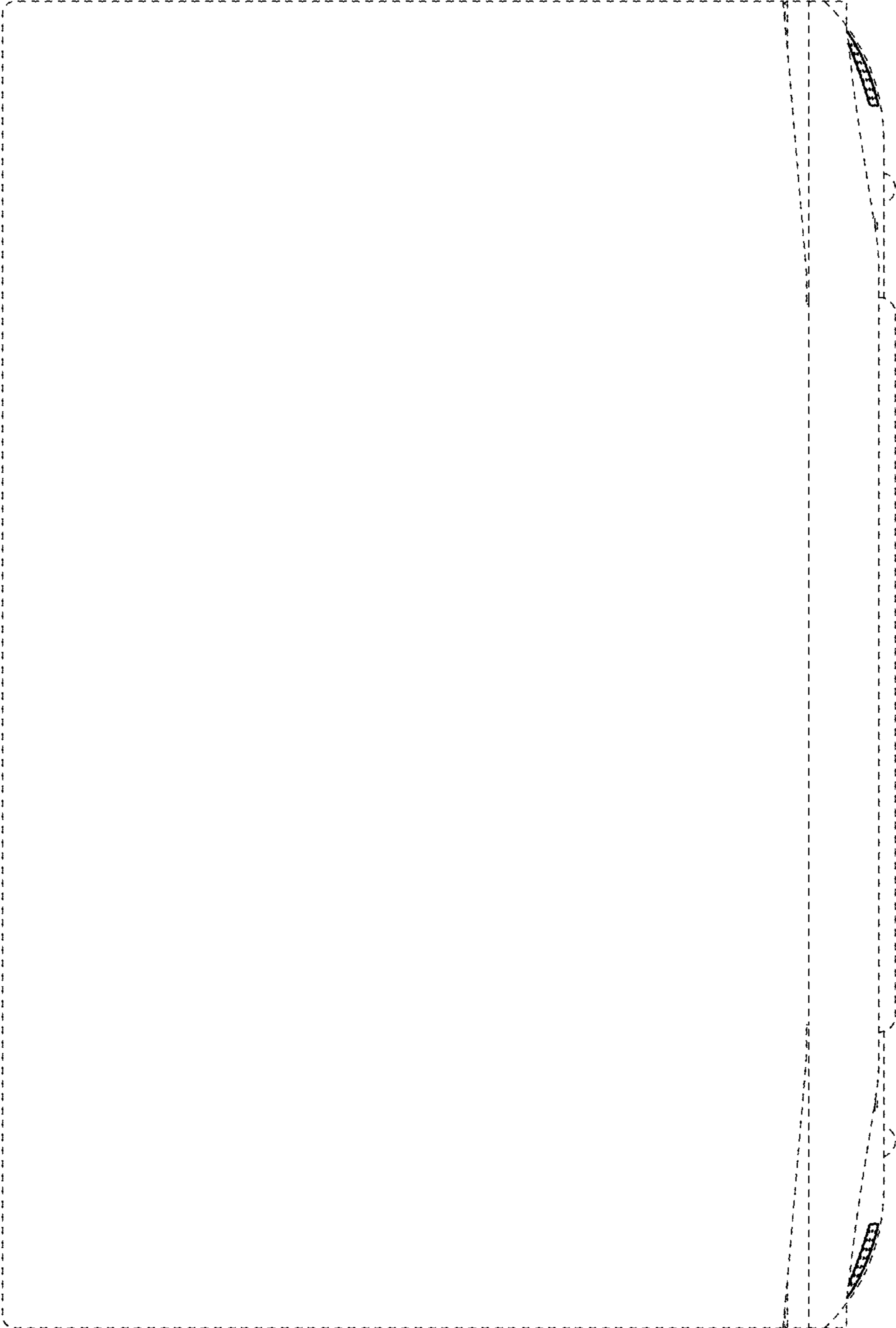


FIG. 3

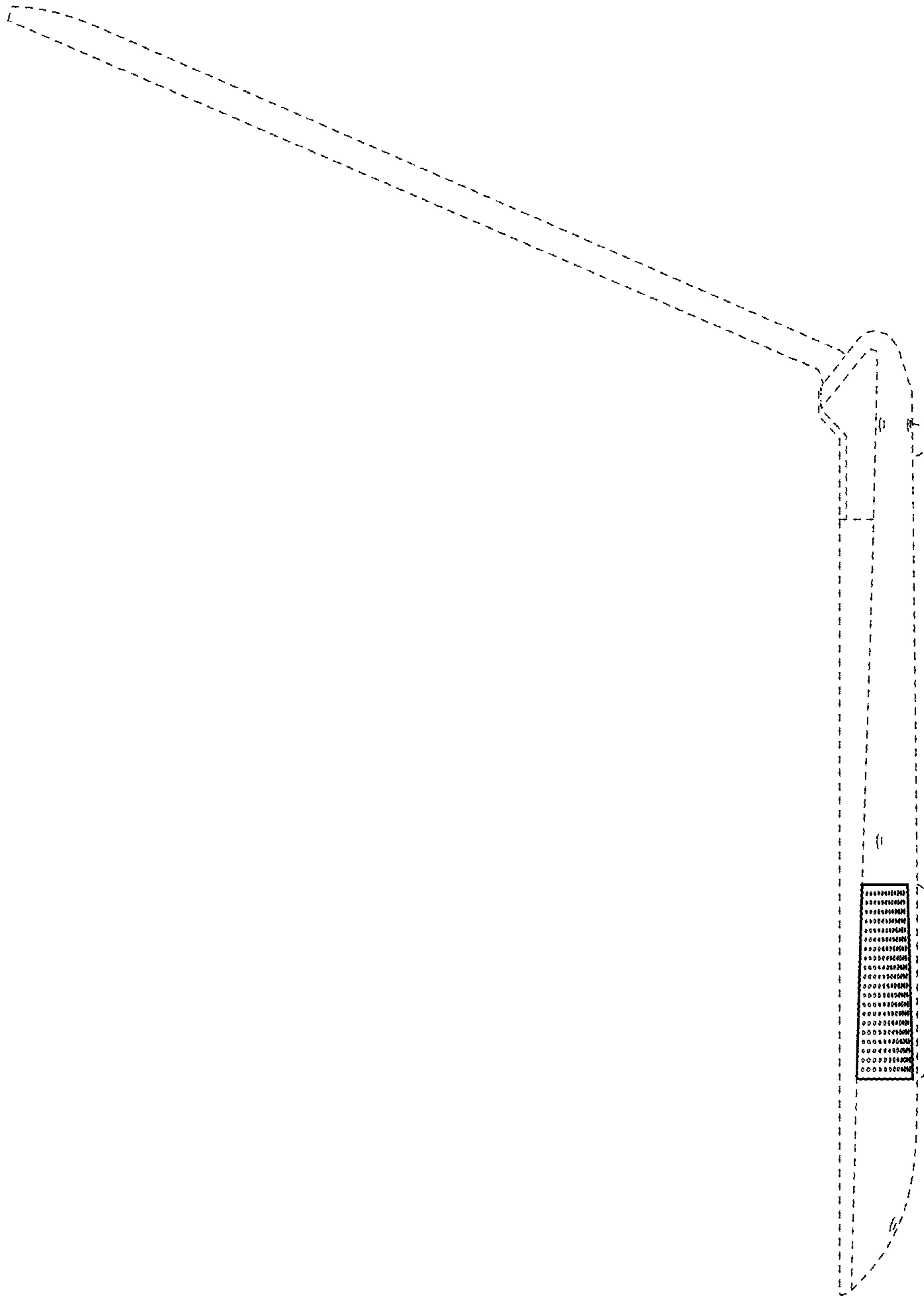


FIG. 4

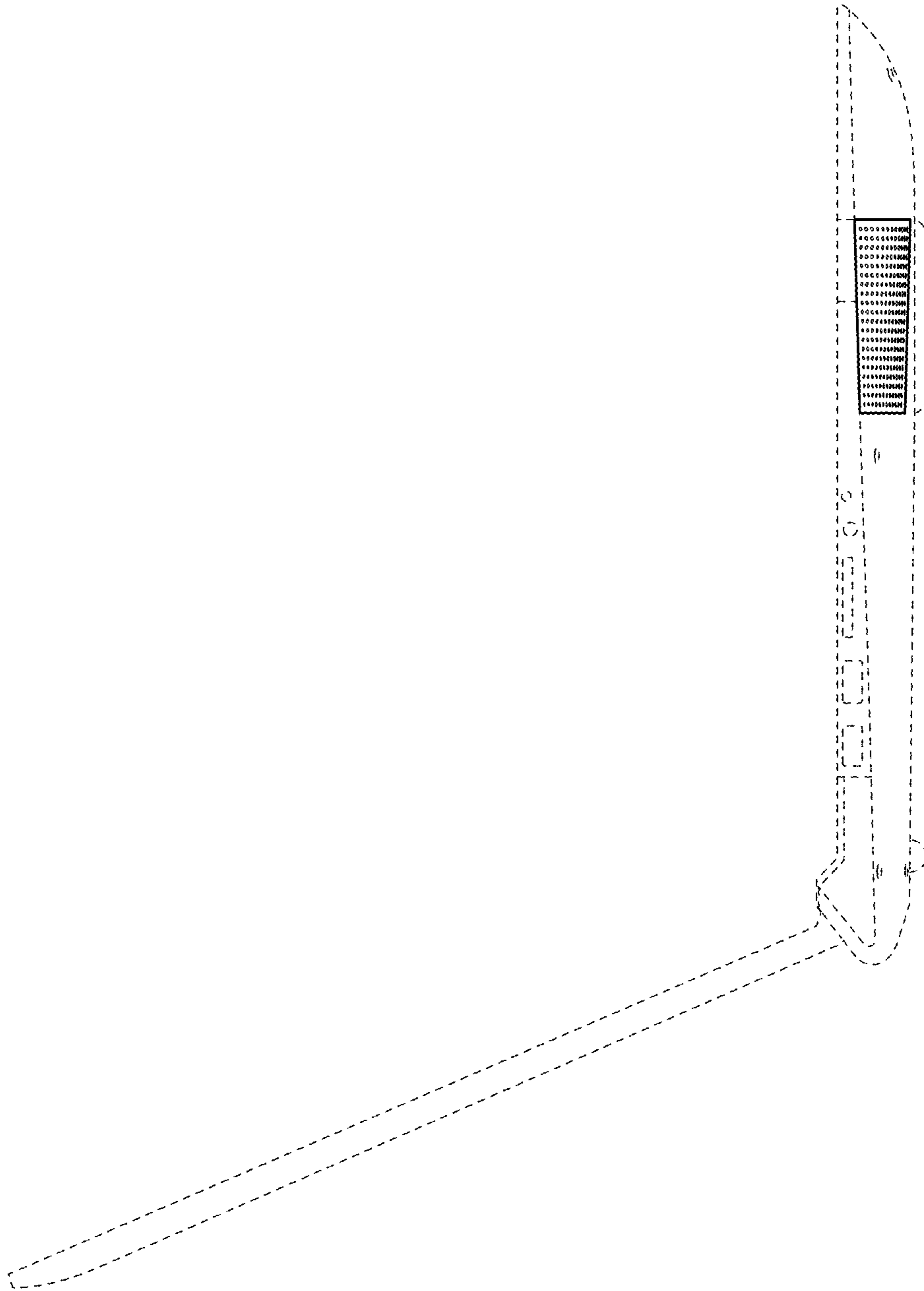


FIG. 5

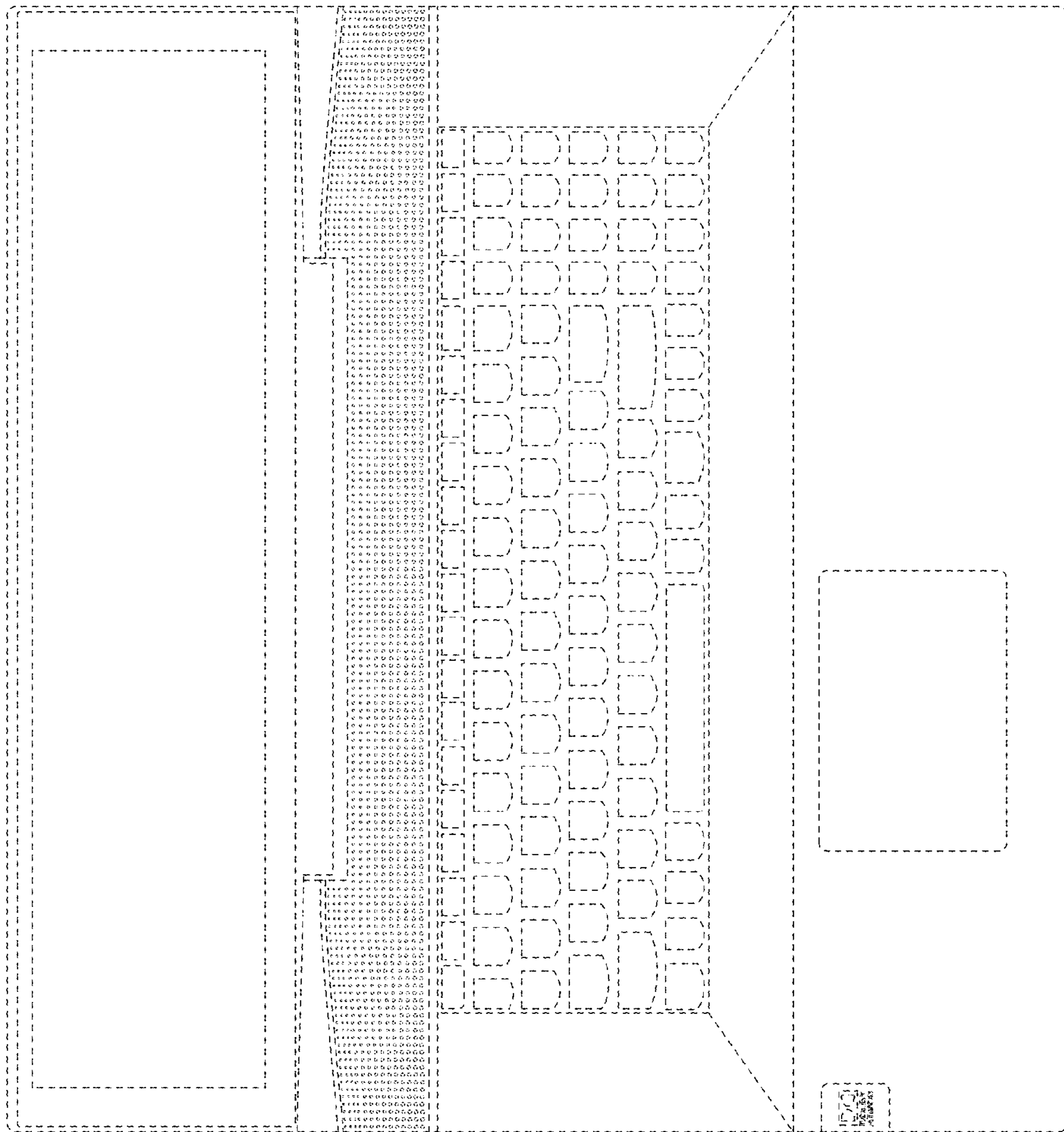


FIG. 6

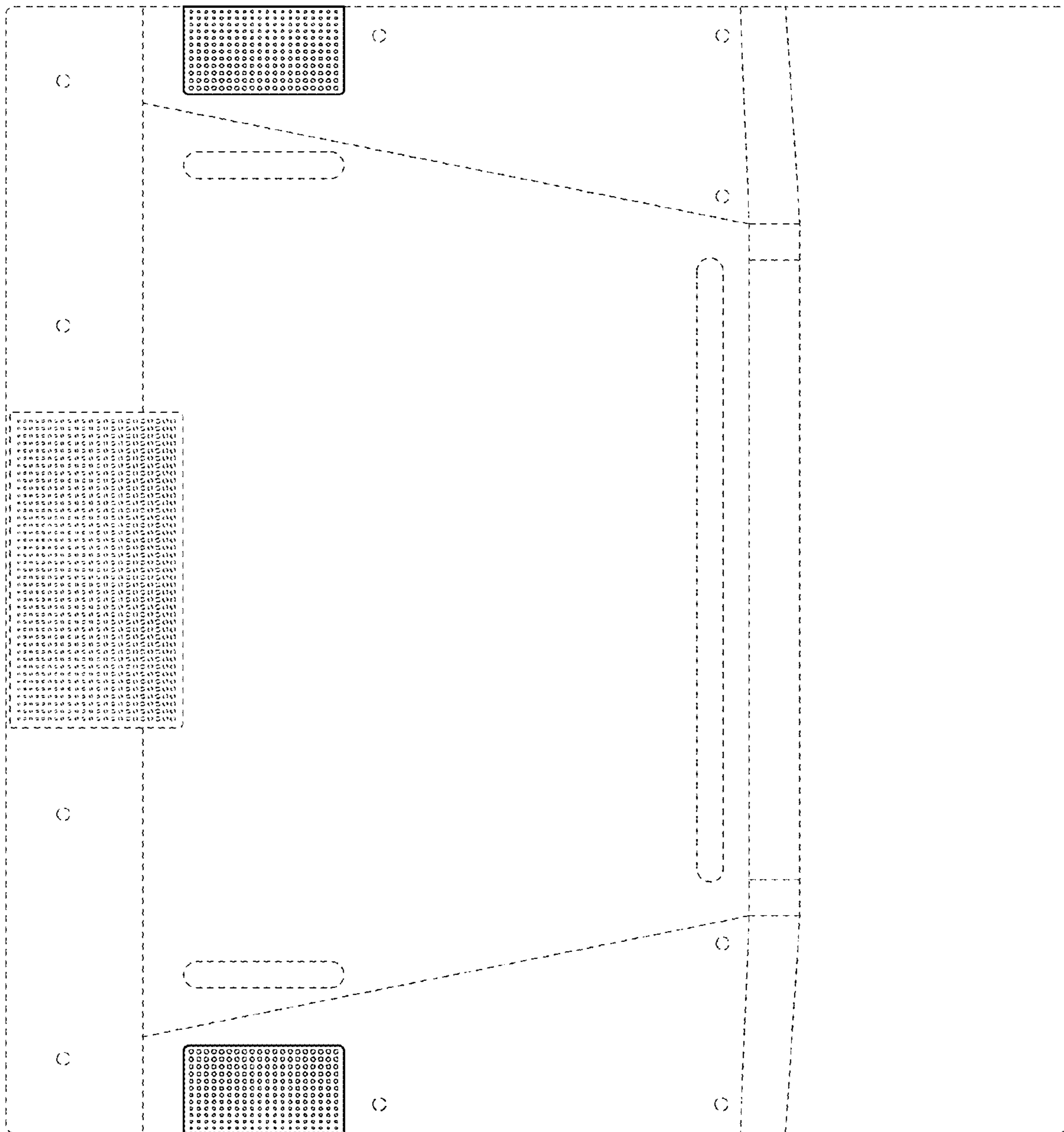


FIG. 7

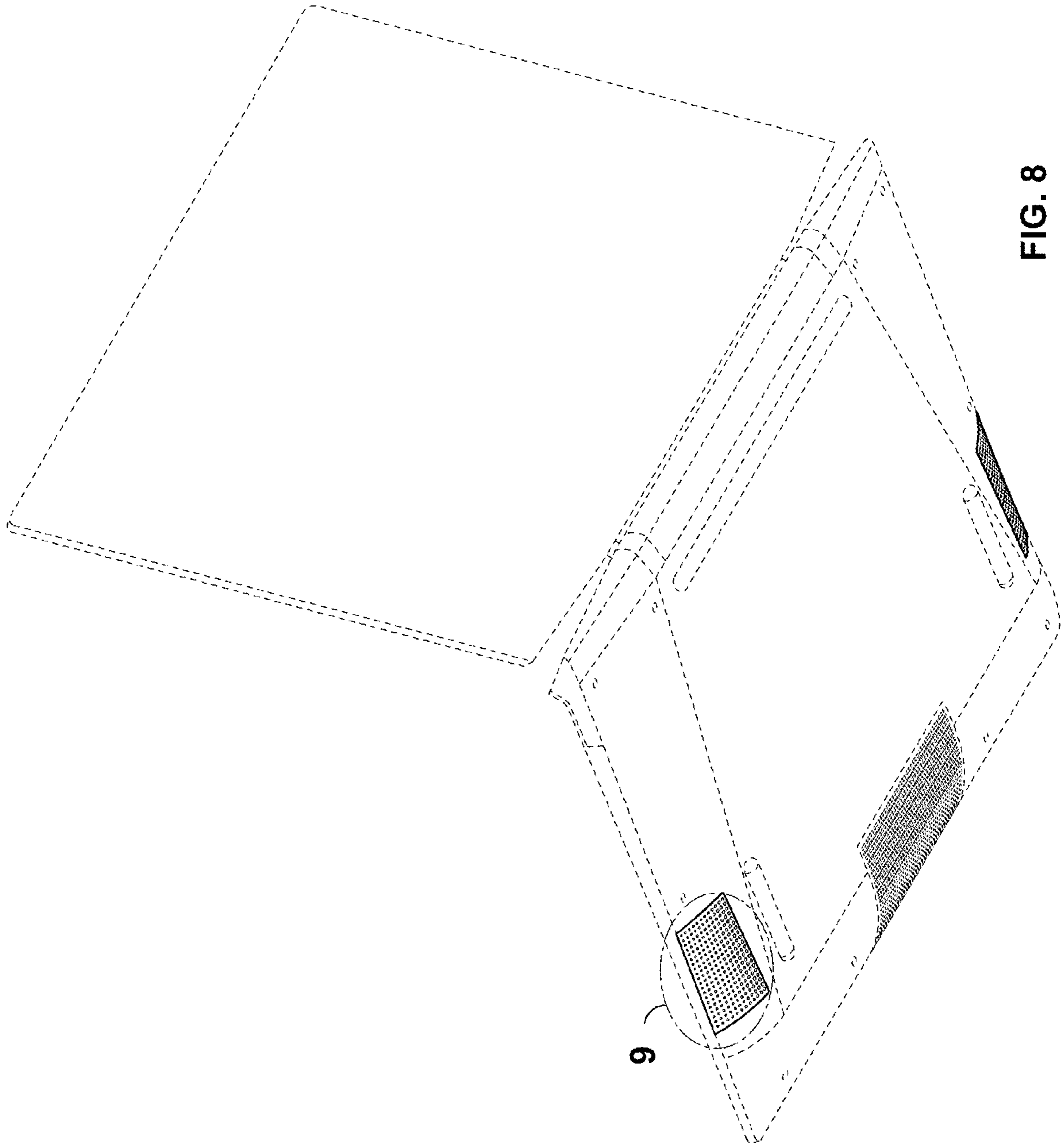


FIG. 8

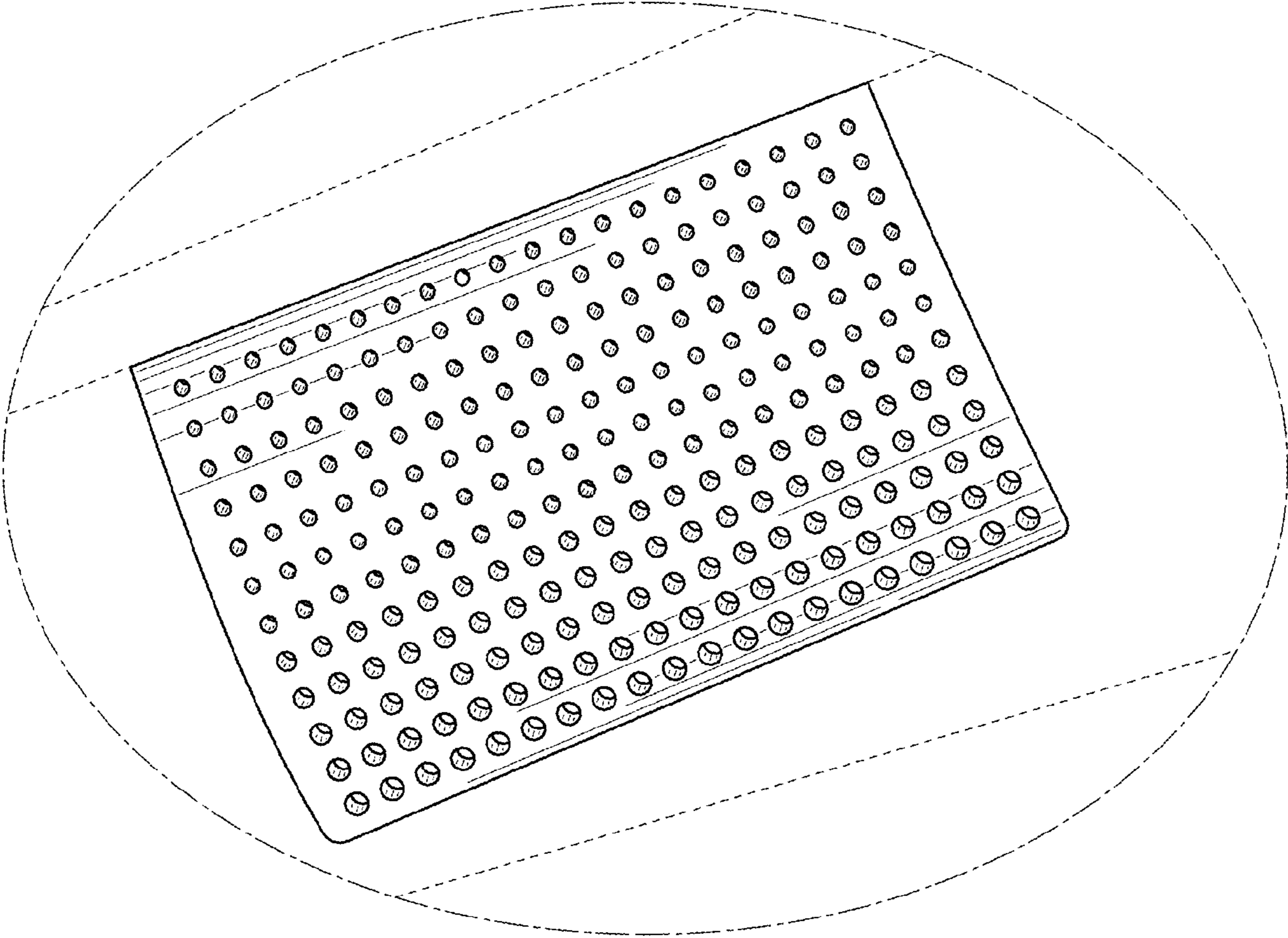


FIG. 9