



US00D924865S

(12) **United States Design Patent**  
**Endo et al.**

(10) **Patent No.:** **US D924,865 S**  
(45) **Date of Patent:** **\*\* Jul. 13, 2021**

(54) **OPERATING DEVICE**

(71) Applicant: **ALPINE ELECTRONICS, INC.**,  
Tokyo (JP)

(72) Inventors: **Hideki Endo**, Tokyo (JP); **Hiroshi Fujimoto**, Tokyo (JP)

(73) Assignee: **ALPINE ELECTRONICS, INC.**,  
Tokyo (JP)

(\*\*) Term: **15 Years**

(21) Appl. No.: **29/729,407**

(22) Filed: **Mar. 26, 2020**

(51) **LOC (13) Cl.** ..... **14-01**

(52) **U.S. Cl.**  
USPC ..... **D14/258**; D13/162

(58) **Field of Classification Search**  
USPC ..... D13/162, 169, 171, 174; D7/405, 406;  
D10/50; D14/157, 188, 217, 257, 441,  
D14/443

CPC ..... H01H 3/02; H01H 3/022; H01H 3/12;  
H01H 3/122; H01H 9/02; H01H 9/0235;  
H01H 13/023; H01H 13/04; H01H 13/06;  
H01H 13/063; H01H 13/10; H01H 13/12;  
H01H 13/142; H01H 13/20; H01H 13/30;  
H01H 13/36; H01H 13/70; H01H 13/86;  
H01H 21/24; H01H 25/065; H01H 23/02;  
H01H 23/025; H01H 23/04; H01H 23/08;  
H01H 23/145; B60R 11/02; B60K 37/04;  
B60K 37/06; H04B 1/08; H04B 1/082

See application file for complete search history.

(56) **References Cited**

**U.S. PATENT DOCUMENTS**

D258,140 S 2/1981 Sturman et al.  
D343,164 S 1/1994 Miyazawa  
D377,909 S \* 2/1997 Smith ..... D10/50  
D515,038 S 2/2006 Riley  
D540,499 S \* 4/2007 Crookshanks ..... D32/28

D588,109 S \* 3/2009 Miyazato ..... D14/217  
D643,838 S \* 8/2011 Miyawaki ..... D14/258  
D720,303 S \* 12/2014 Fischer ..... D13/162  
D780,170 S \* 2/2017 Murakami ..... D14/258  
D839,215 S \* 1/2019 Odegard ..... D13/162  
D842,712 S \* 3/2019 Swanson ..... D10/50  
D843,240 S \* 3/2019 Combe ..... D10/50  
D895,567 S \* 9/2020 McWilliam ..... D14/188  
2006/0207868 A1 \* 9/2006 Wimmer ..... B29C 45/16  
200/341

(Continued)

**FOREIGN PATENT DOCUMENTS**

CN 200630065343-0001 6/2006  
CN 201330111333-0001 4/2013

**OTHER PUBLICATIONS**

Alpine Halo Remote Bass Knob; Oct. 19, 2020; 2 pgs.;  
[https://www.amazon.com/Alpine-Halo-Remote-Bass-Knob/dp/B08L5JRGDL/ref=sr\\_1\\_3?dchild=1&keywords=Alpine+Halo+Remote+Bass+Knob&qid=1621354087&sr=8-3.\\*](https://www.amazon.com/Alpine-Halo-Remote-Bass-Knob/dp/B08L5JRGDL/ref=sr_1_3?dchild=1&keywords=Alpine+Halo+Remote+Bass+Knob&qid=1621354087&sr=8-3.*)

(Continued)

*Primary Examiner* — Selina Sikder

(74) *Attorney, Agent, or Firm* — Brinks Gilson & Lione

(57) **CLAIM**

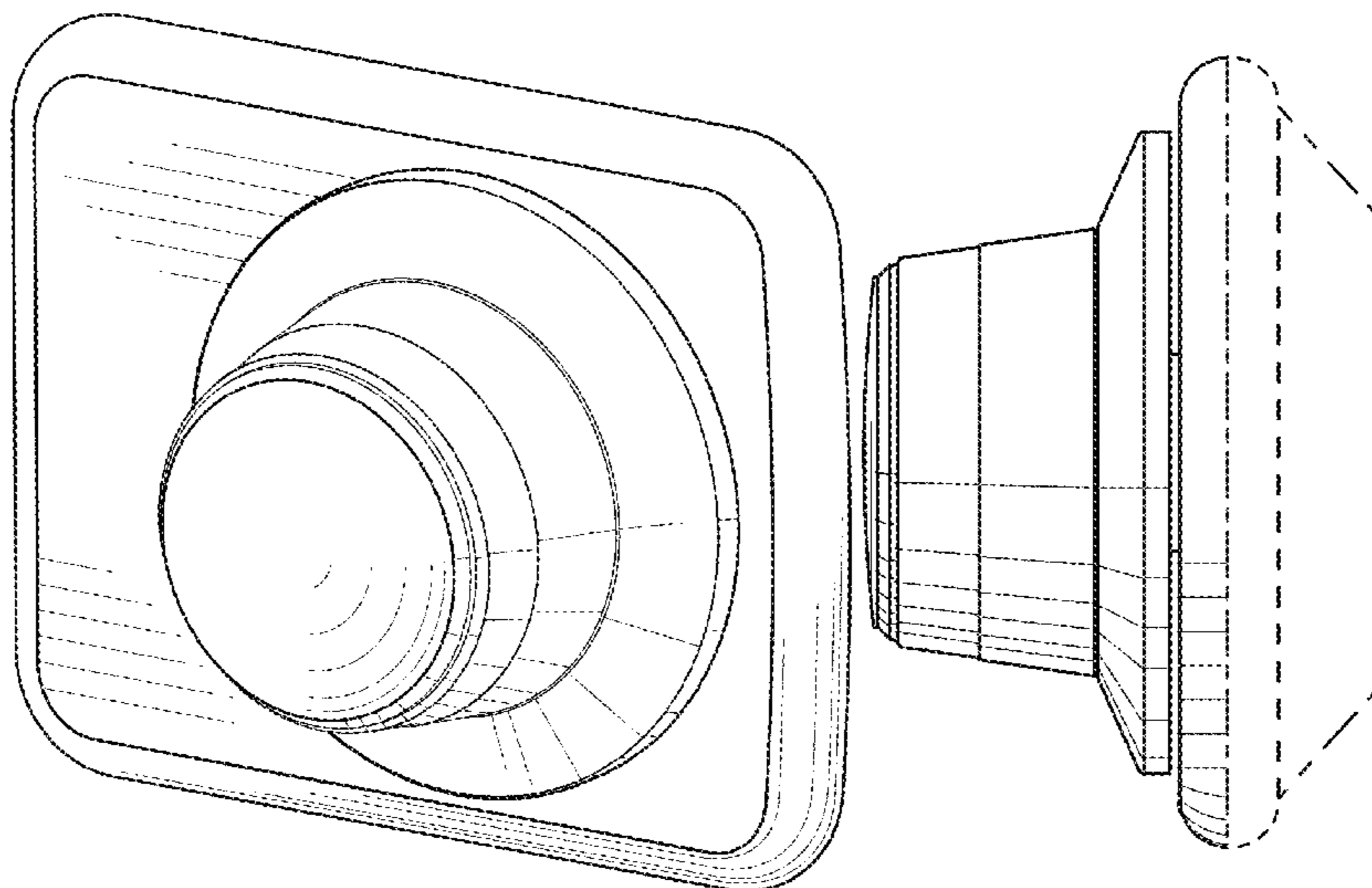
The ornamental design for an operating device, as shown and described.

**DESCRIPTION**

FIG. 1 is a perspective view of an operating device;  
FIG. 2 is a front view thereof;  
FIG. 3 is a rear view thereof;  
FIG. 4 is a top view thereof;  
FIG. 5 is a bottom view thereof;  
FIG. 6 is a right side view thereof; and,  
FIG. 7 is a left side view thereof.

The broken lines are for environmental purposes only and do not form any part of the claimed design.

**1 Claim, 7 Drawing Sheets**



(56)

**References Cited**

U.S. PATENT DOCUMENTS

2008/0017493 A1\* 1/2008 Richardson ..... H01H 3/02  
200/331  
2013/0037392 A1\* 2/2013 Nakajima ..... G05G 1/08  
200/9  
2013/0134798 A1\* 5/2013 Meftah ..... H01H 13/02  
307/104  
2014/0042003 A1\* 2/2014 Meftah ..... H01H 3/022  
200/334  
2014/0102867 A1\* 4/2014 Inoue ..... H01H 3/02  
200/337  
2015/0303658 A1\* 10/2015 Wu ..... G05G 5/06  
74/529  
2019/0311868 A1\* 10/2019 Vansickel ..... B60K 37/06  
2020/0150766 A1\* 5/2020 Bagley ..... G06F 3/016  
2020/0194196 A1\* 6/2020 Iliev ..... H01H 13/06  
2020/0251293 A1\* 8/2020 Voelker ..... H01H 15/10  
2020/0369154 A1\* 11/2020 Erkokak ..... G06F 3/04886

2021/0082640 A1\* 3/2021 Miyamoto ..... H01H 13/14  
2021/0086616 A1\* 3/2021 Fribus ..... B60K 37/06  
2021/0094381 A1\* 4/2021 Dutot ..... B60H 1/00457

OTHER PUBLICATIONS

KXARC Wireless Remote for KX-Series; retrieved on May 18, 2021; 1 pg.; <https://www.kicker.com/44kxarc>.  
\*  
Presentation of Alpine Halo Bass Knob at Consumer Electronics Show in Las Vegas, NV, at the Las Vegas Convention and World Trade Center, Jan. 7, 2020 to Jan. 10, 2020.  
YouTube Video entitled “Alpine | CES 2020 | Alpine Halo 11 & Halo Bass Knob” filmed at the 2020 Consumer Electronics show, capturing presentation of the Alpine Halo Bass Knob (e.g., at time 2:30), <https://www.youtube.com/watch?v=66oYCW0A2N4&list=PL6Yt8DEdK36MjfG2oAtokhUIZC3KJuMnD&index=2> (Posted Jan. 7, 2020).

\* cited by examiner

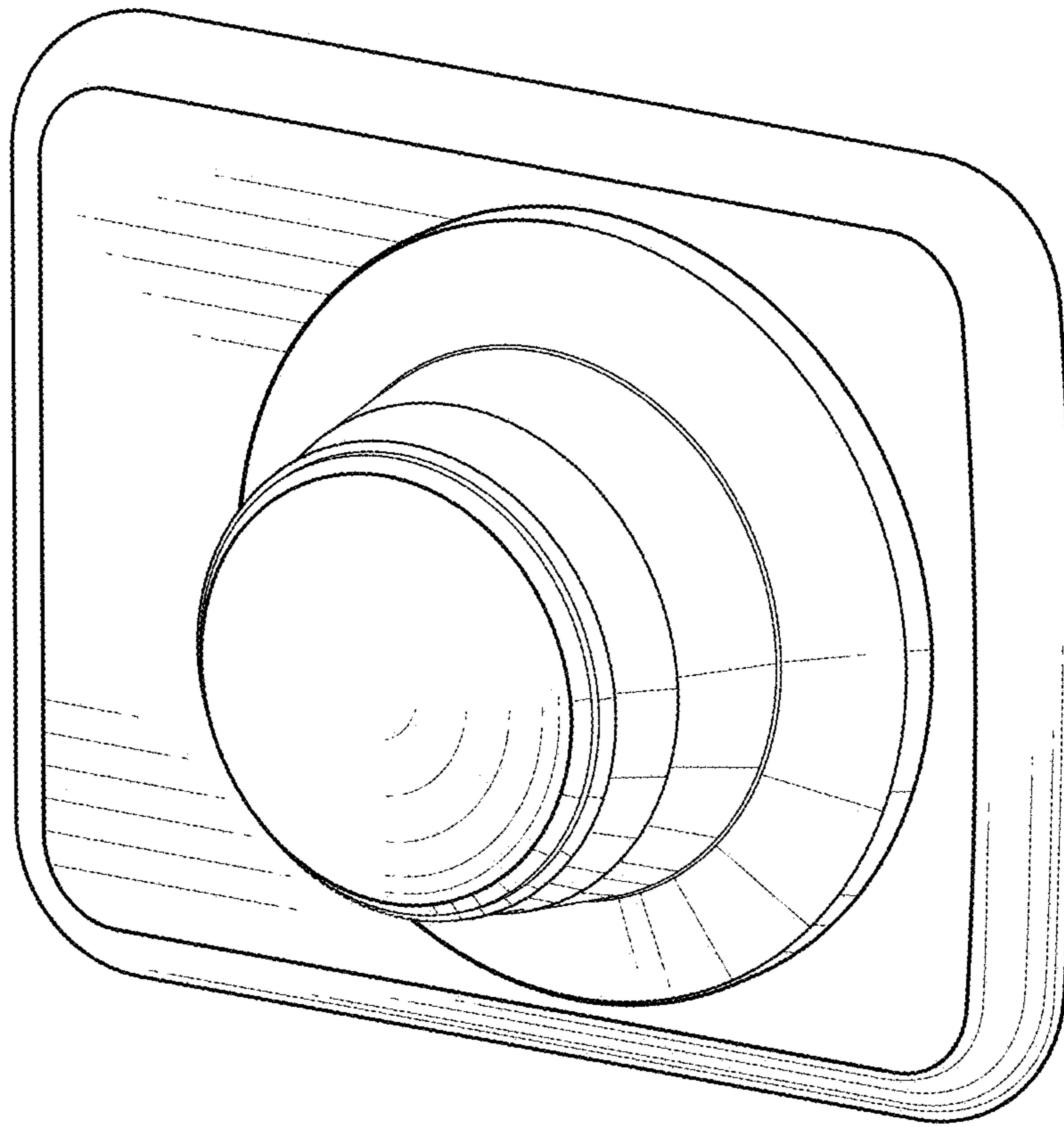


FIG. 1

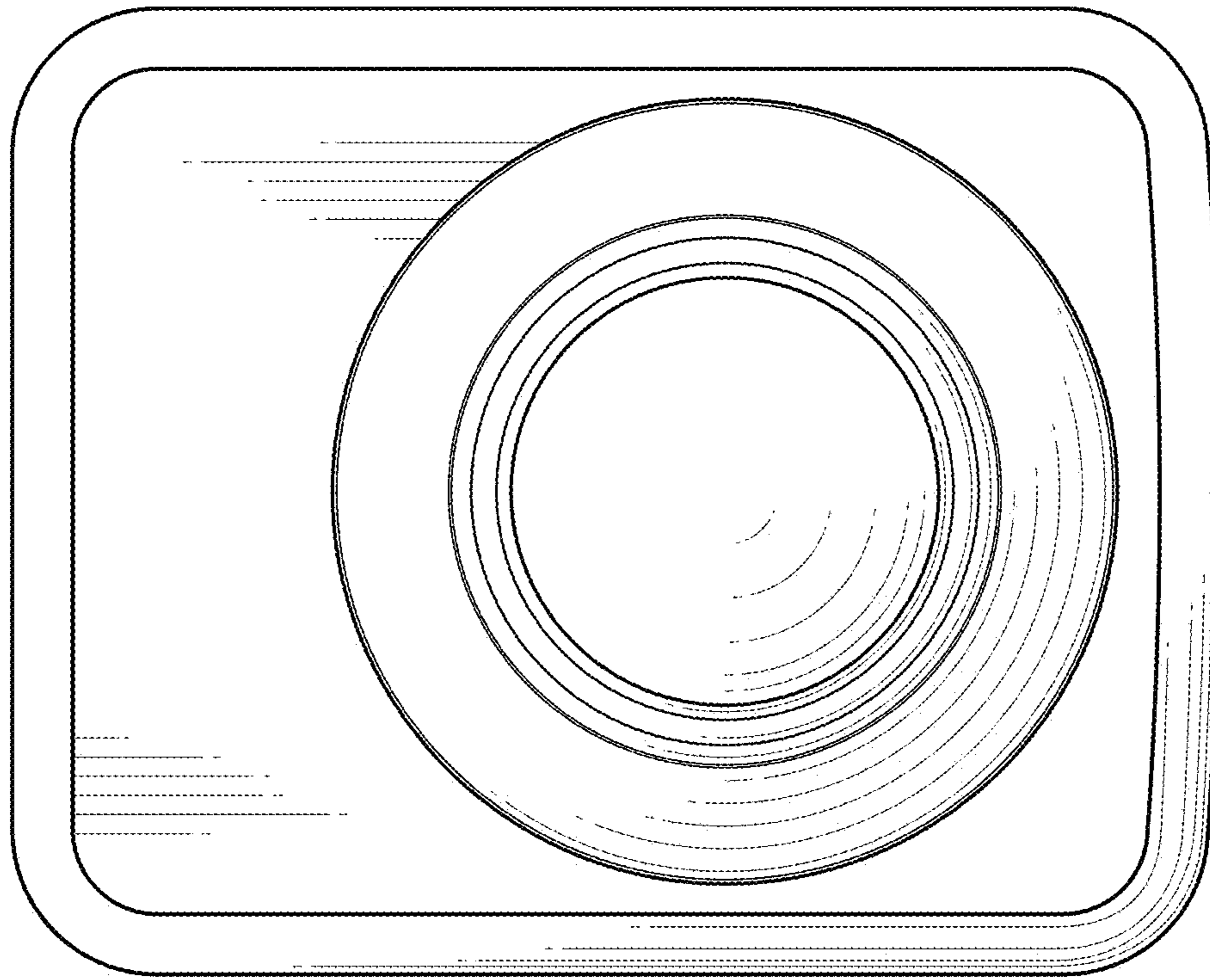


FIG. 2

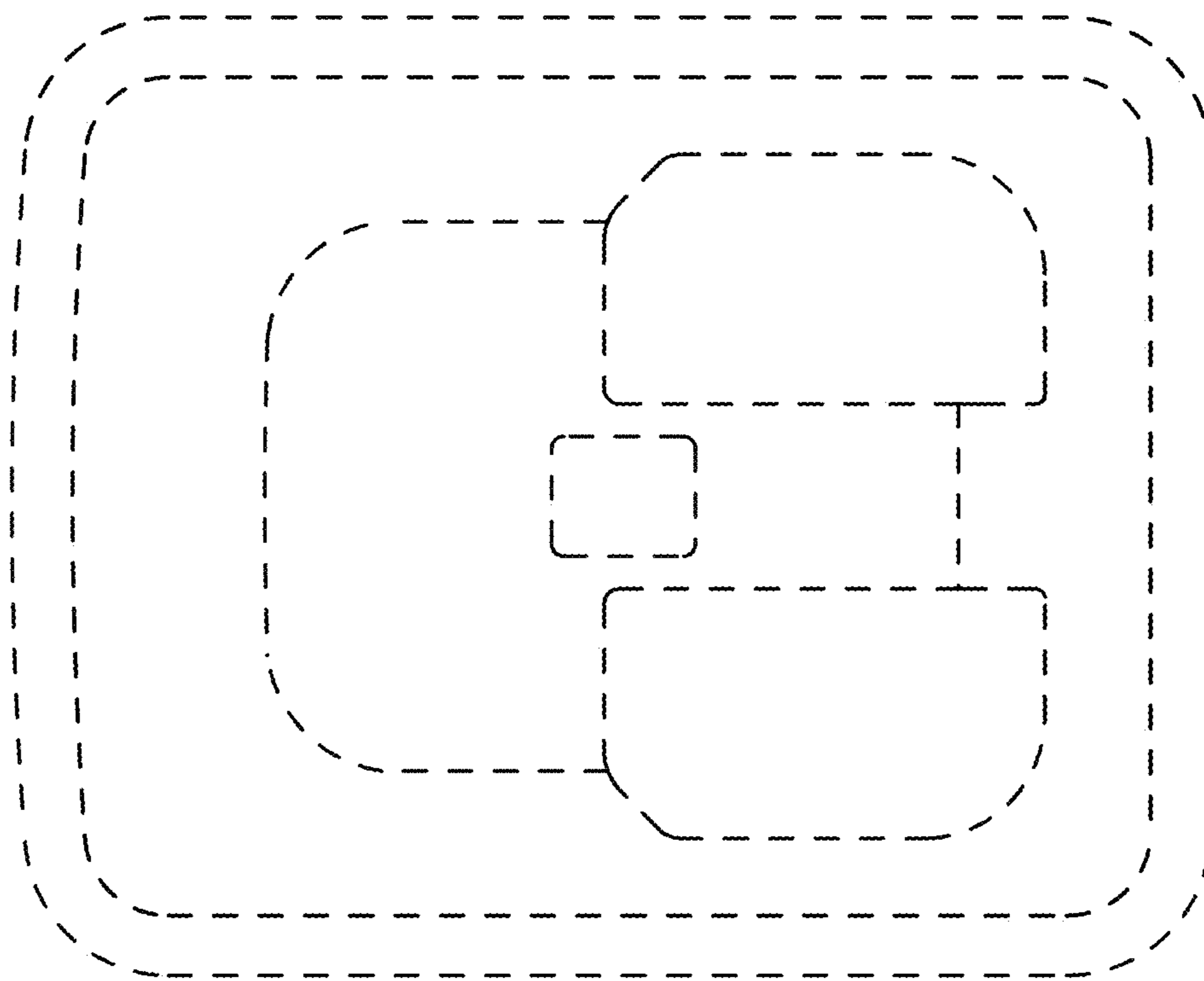


FIG. 3



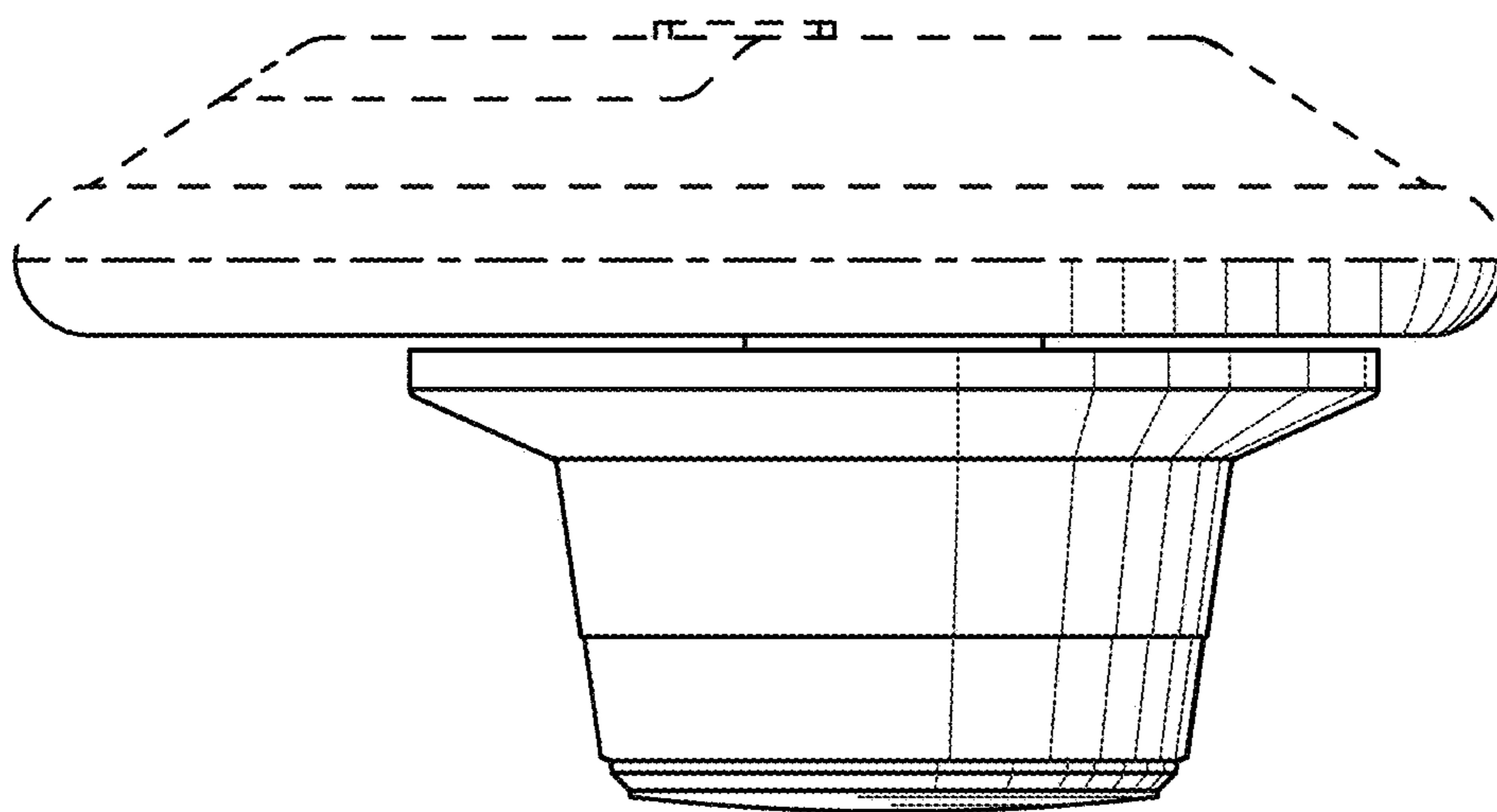


FIG. 4

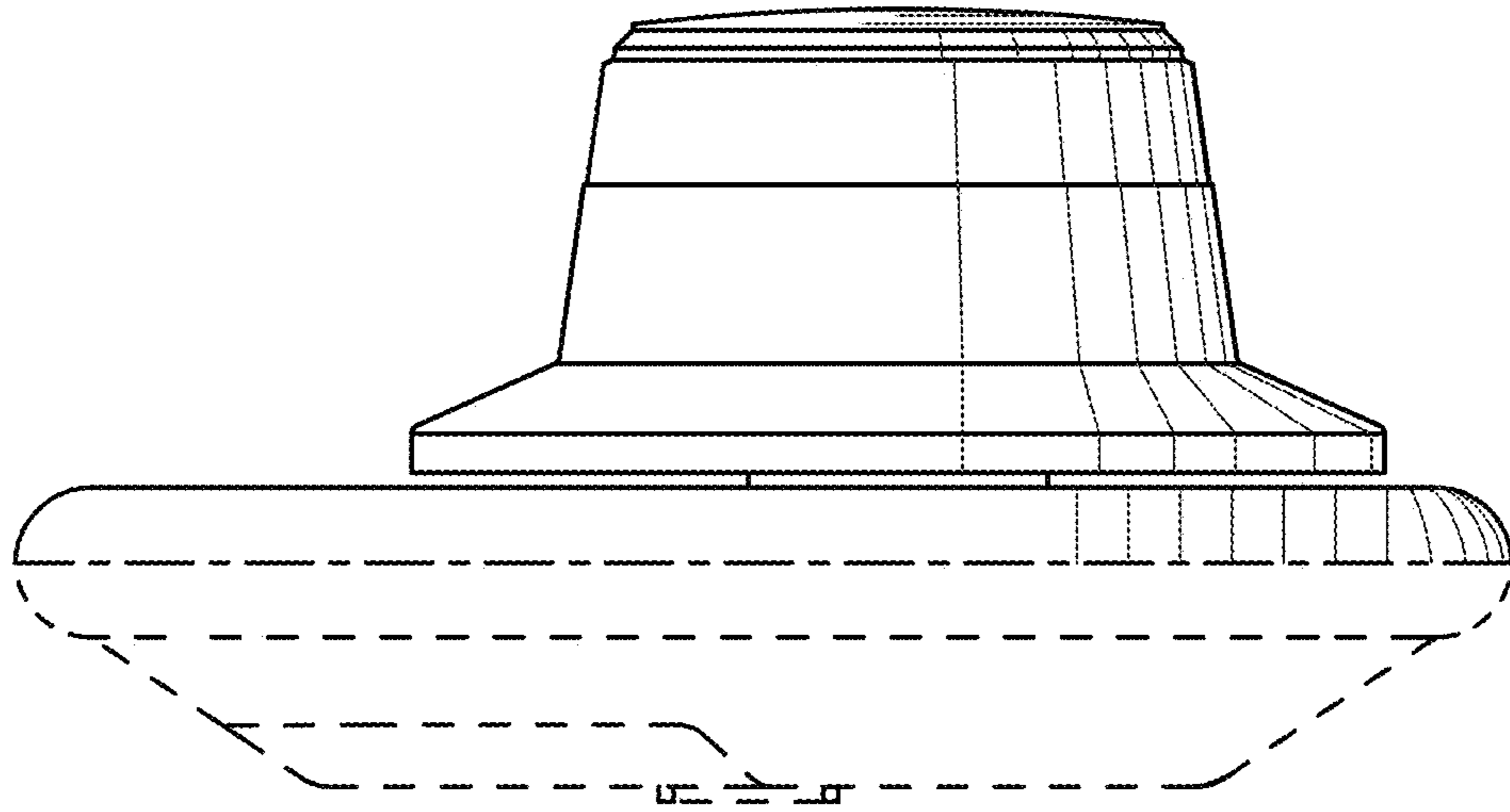


FIG. 5

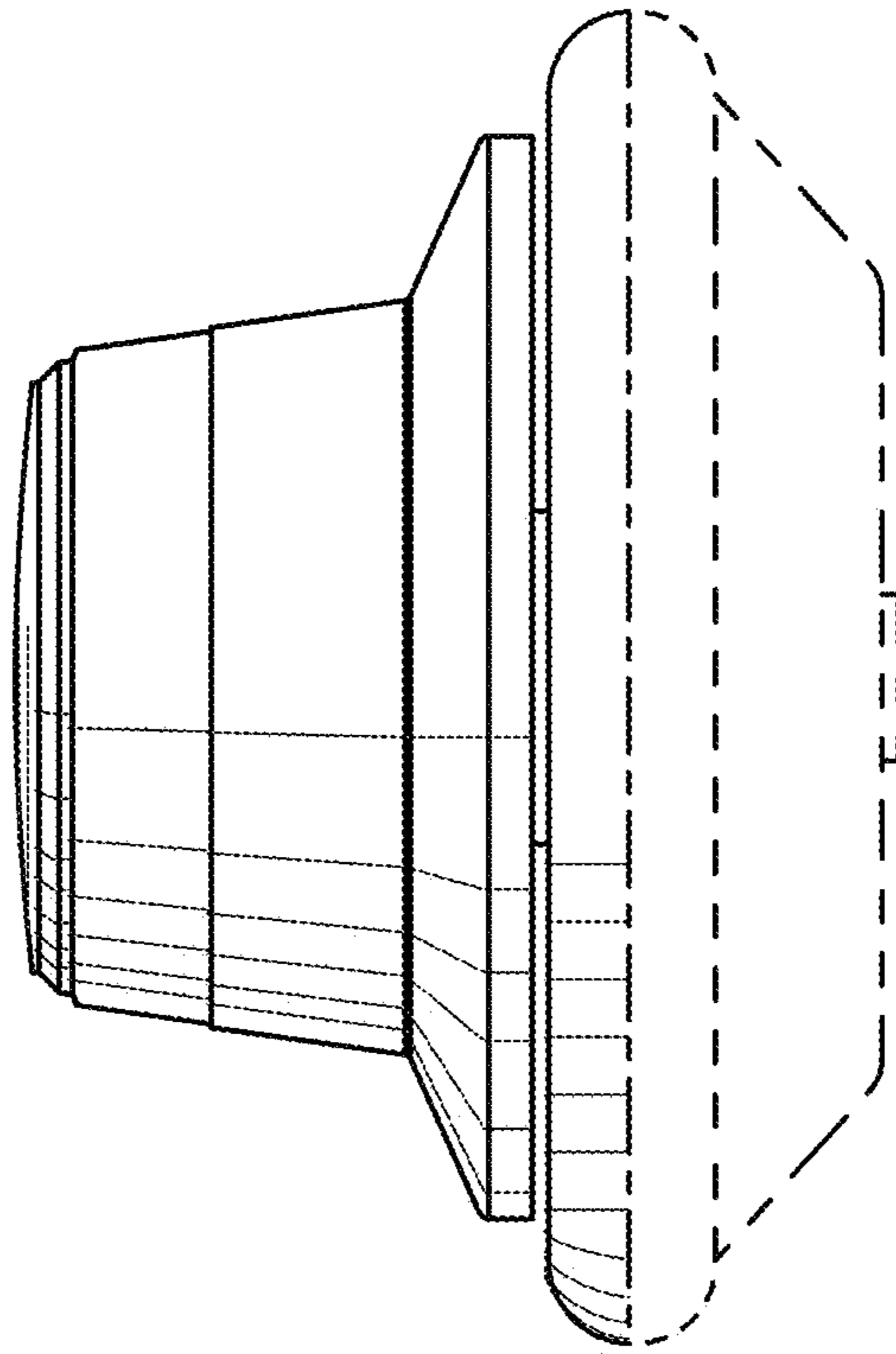


FIG. 6



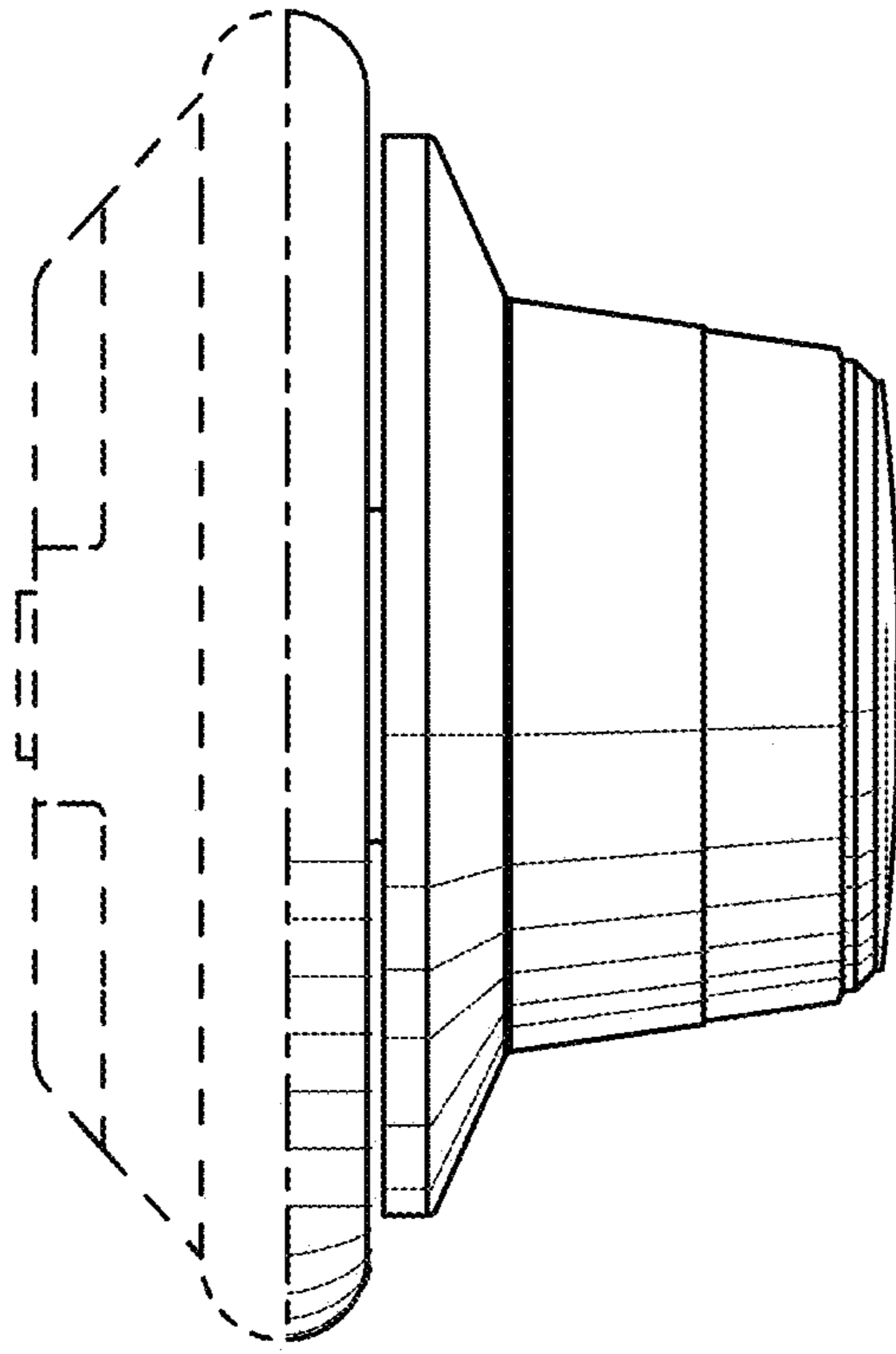


FIG. 7