

US00D924864S

(12) **United States Design Patent** (10) **Patent No.:** **US D924,864 S**
Yun (45) **Date of Patent:** **** Jul. 13, 2021**

- (54) **CASE FOR ELECTRONIC COMMUNICATIONS DEVICE**
- (71) Applicant: **SPIGEN KOREA CO., LTD.**, Seoul (KR)
- (72) Inventor: **Sun Woo Yun**, Seoul (KR)
- (73) Assignee: **SPIGEN KOREA CO., LTD.**, Seoul (KR)
- (**) Term: **15 Years**
- (21) Appl. No.: **29/688,679**
- (22) Filed: **Apr. 23, 2019**
- (51) **LOC (13) Cl.** **14-03**
- (52) **U.S. Cl.**
USPC **D14/250**
- (58) **Field of Classification Search**
USPC D14/217, 238.1, 240, 248, 250, 251–253, D14/439, 440, 447; D13/107–108, 103, D13/119; D3/201, 269, 273, 301, 218, D3/247, 303
CPC H04B 1/3888; H04M 1/0283; H04M 1/0202; A45C 1/06; A45C 11/00; A45C 13/02; A45C 2011/002; A45F 2005/026; A45F 2200/0525; A45F 2200/0516
See application file for complete search history.

- D791,116 S 7/2017 Kim
 - D796,497 S 9/2017 Kim
 - D796,498 S * 9/2017 Babichenko D14/250
 - D802,574 S 11/2017 Kim
 - D802,577 S 11/2017 Ahn
 - D807,338 S 1/2018 Kim
 - D808,371 S * 1/2018 Kim D14/250
- (Continued)

OTHER PUBLICATIONS

“MOBOSI Vanguard Armor Designed for iPhone X Case/iPhone Xs Case, [. . .]” [online], MOBOSI. [Date first available on Jun. 18, 2019]. Retrieved from the Internet: <<https://www.amazon.com/MOBOSI-Vanguard-Designed-Shockproof-Protection/dp/B07T7JB93N>>.*

(Continued)

Primary Examiner — Khawaja Anwar
Assistant Examiner — Mojtaba Tehrani
(74) *Attorney, Agent, or Firm* — Heedong Chae; Lucem, PC

(57) **CLAIM**

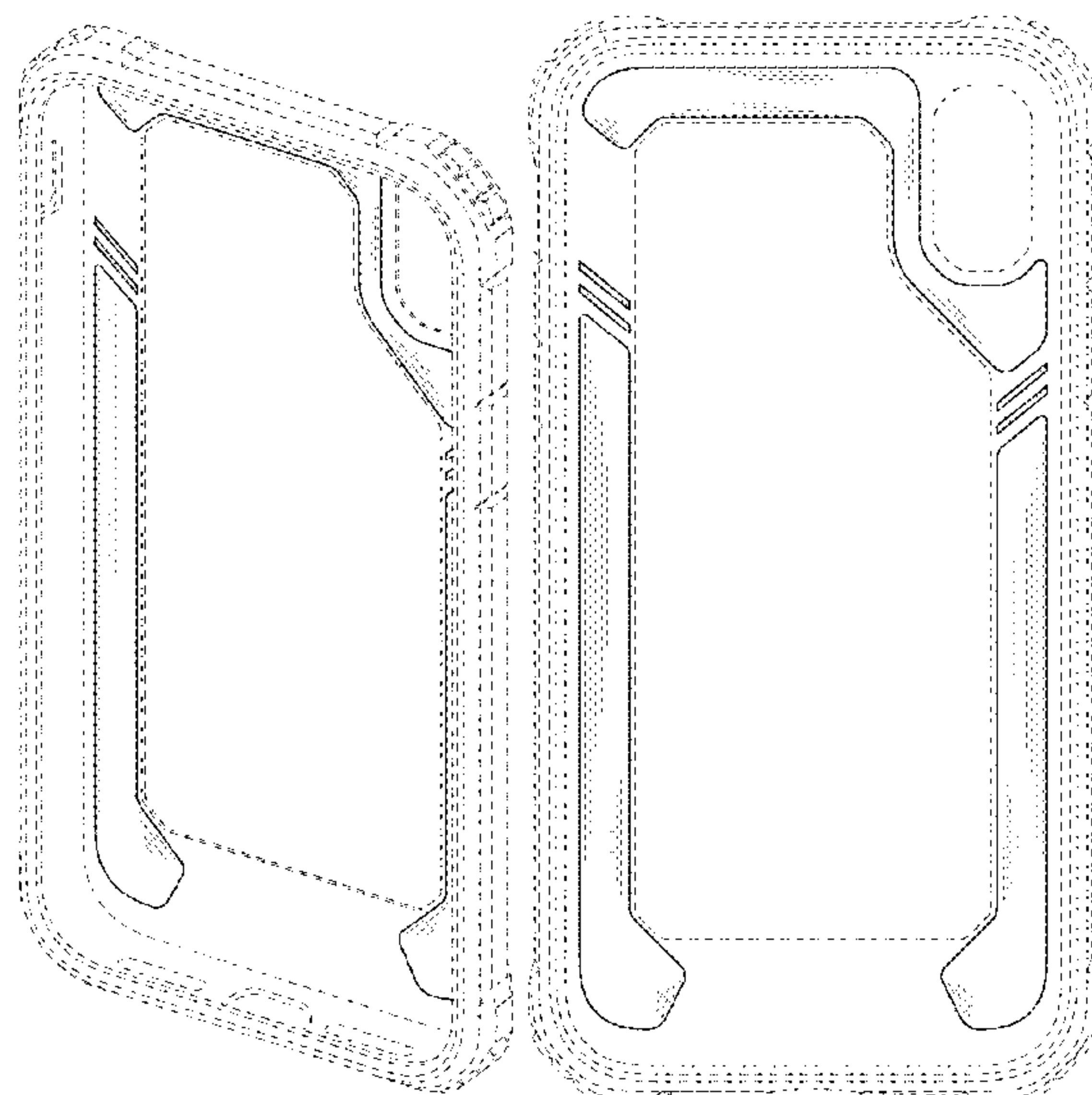
The ornamental design for a case for electronic communications device, as shown and described.

DESCRIPTION

FIG. 1 is a front perspective view of a case for electronic communications device showing my new design; FIG. 2 is a rear perspective view thereof; FIG. 3 is a front elevational view thereof; FIG. 4 is a rear elevational view thereof; FIG. 5 is a left side elevational view thereof; FIG. 6 is a right side elevational view thereof; FIG. 7 is a top plan view thereof; and, FIG. 8 is a bottom plan view thereof. The broken lines depict portions of the case that form no part of the claimed design.

1 Claim, 8 Drawing Sheets

- (56) **References Cited**
U.S. PATENT DOCUMENTS
- D716,284 S * 10/2014 Melanson D14/250
- D756,343 S * 5/2016 Wall D14/250
- D769,855 S * 10/2016 Deng D14/250
- D771,607 S 11/2016 Kim
- D771,608 S 11/2016 Kim et al.
- D772,209 S 11/2016 Kim et al.
- D775,620 S 1/2017 Kim
- D776,648 S 1/2017 Kim
- D786,233 S 5/2017 Kim
- D788,760 S 6/2017 Kim



(56)

References Cited

U.S. PATENT DOCUMENTS

D808,943	S	*	1/2018	Kamalandua Makasi ...	D14/250
D808,944	S		1/2018	Kim	
D865,739	S	*	11/2019	Altschul	D14/250
D865,740	S	*	11/2019	Altschul	D14/250
D866,544	S	*	11/2019	Kim	D14/250
D867,352	S	*	11/2019	Kim	D14/250
D867,353	S	*	11/2019	Kim	D14/250
D868,052	S	*	11/2019	Jia	D14/250
D868,053	S	*	11/2019	Gao	D14/250
D872,721	S	*	1/2020	Kim	D14/250
10,541,714	B2	*	1/2020	Mody	H04M 1/0283
D879,085	S	*	3/2020	Lee	D14/250
D887,418	S	*	6/2020	Valentine	D14/447
D899,413	S	*	10/2020	Kim	D14/250
D904,383	S	*	12/2020	Kim	D14/250
D906,326	S	*	12/2020	Kim	D14/250
2015/0195938	A1	*	7/2015	Witter	G06F 1/1656 206/521

OTHER PUBLICATIONS

“UAG iPhone 8 I iPhone 7 /iPhone 6s [4.7-inch screen]Monarch Feather-Light Rugged [Graphite] Military”, <https://www.amazon.com/dp/B01FZP0Z1S/>, Earliest review date of Sep. 24, 2016, Downloaded May 19, 2020.

“i-Blason Armorbox Case Designed for iPhone SE2 2020 /iPhone 7/iPhone 8, Built in Screen Protector Full-Body Rugged Holster Case for iPhone SE 2nd Generation (Black)”, <https://www.amazon.com/dp/B0756994HG/>, Earliest review date of Sep. 23, 2017, Downloaded May 19, 2020.

“Galaxy S9+ Plus Case, Youmaker Kickstand Case with Built-in Screen Protector Shockproof Case Cover for Samsung Galaxy S9 Plus 6.2 inch (2018)—Black”, <https://www.amazon.com/dp/B07BMSMFC8>, Earliest review date of Mar. 8, 2018, Downloaded May 19, 2020.

“Youmaker Galaxy S9 Case, Heavy Duty Protection Kickstand with Built-in Screen Protector Shockproof Case Cover for Samsung

Galaxy S9 5.8 inch (2018 Release)—Black”, <https://www.amazon.com/dp/B07CGBDZ8C>, Earliest review date of May 2, 2018, Downloaded May 19, 2020.

“Compatible for Samsung Galaxy S9 Case, Youzizi Shockproof Cover for Samsung Galaxy S9 Protective Impact Rugged Shockproof Hybrid”, <https://www.amazon.com/dp/B07CNM257F>, Earliest review date of May 22, 2018, Downloaded May 19, 2020.

“Fitfort Samsung Galaxy S9 Case—Full Body Case with Built-in Touch Sensitive Anti-Scratch Screen Protector, Heavy Duty Shock Drop Proof Protection Support Wireless Charging Black/Grey”, <https://www.amazon.com/dp/B07KB5WHHD>, Earliest review date of Dec. 3, 2018, Downloaded May 19, 2020.

“Mitywah iPhone 7 / iPhone 8 Case Heavy Duty Durable Metal Full Body Protective Case Builtin Screen Protection Waterproof Shockproof Dustproof Rugged Military Grade Defender, Red”, <https://www.amazon.com/dp/B07MR9L4K4>, Earliest review date of Jan. 20, 2019, Downloaded May 19, 2020.

“Poetic Galaxy S10 Plus Rugged Case with Kickstand, Heavy Duty Military Grade Full Body Cover, Without Built-in-Screen Protector, Revolution Series, for Samsung Galaxy S10+ Plus 6.4 Inch (2019), Black”, <https://www.amazon.com/dp/B07NZSG4V1>, Earliest review date of Mar. 5, 2019, Downloaded May 19, 2020.

“Galaxy S10e Rugged Case with Kickstand, Poetic Heavy Duty Military Grade Full Body Cover, with Built-in-Screen Protector, Revolution Series, for Samsung Galaxy S10e 5.8 Inch (2019), Blue”, <https://www.amazon.com/dp/B07NZTRKTR>, Earliest review date of Mar. 8, 2019, Downloaded May 19, 2020.

Spigen, “Spigen Rugged Armor Extra”, <https://www.youtube.com/watch?v=ILUEjn1P2hk>, Published on May 26, 2017, Downloaded on Jan. 9, 2020.

“Spigen Rugged Armor Extra Galaxy Temp Case with Resilient Shock Absorption and Carbon Fiber Design for Galaxy Temp (2017)—Black”, <https://www.amazon.com/Spigen-Rugged-Galaxy-Resilient-Absorption/dp/B01MTEQVNB>, Earliest review date of Jul. 6, 2017, Downloaded on Jan. 9, 2020.

“Spigen Rugged Armor Extra Designed for Apple iPhone 7 Case (2016)—Black”, <https://www.amazon.com/Spigen-Rugged-iPhone-Resilient-Absorption/dp/B06XC8WL7P>, Earliest review date of Sep. 7, 2017, Downloaded on Jan. 9, 2020.

* cited by examiner

FIG. 1

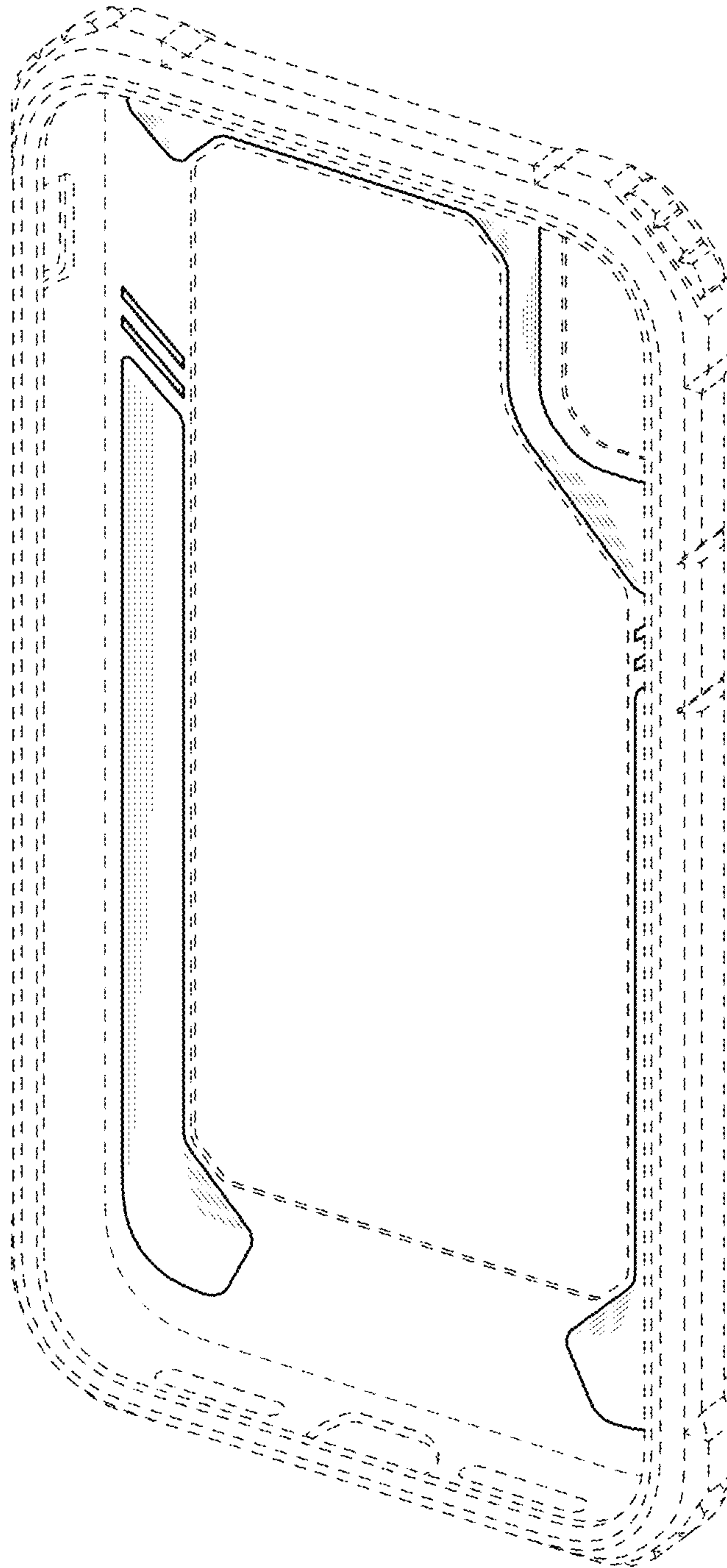


FIG. 2

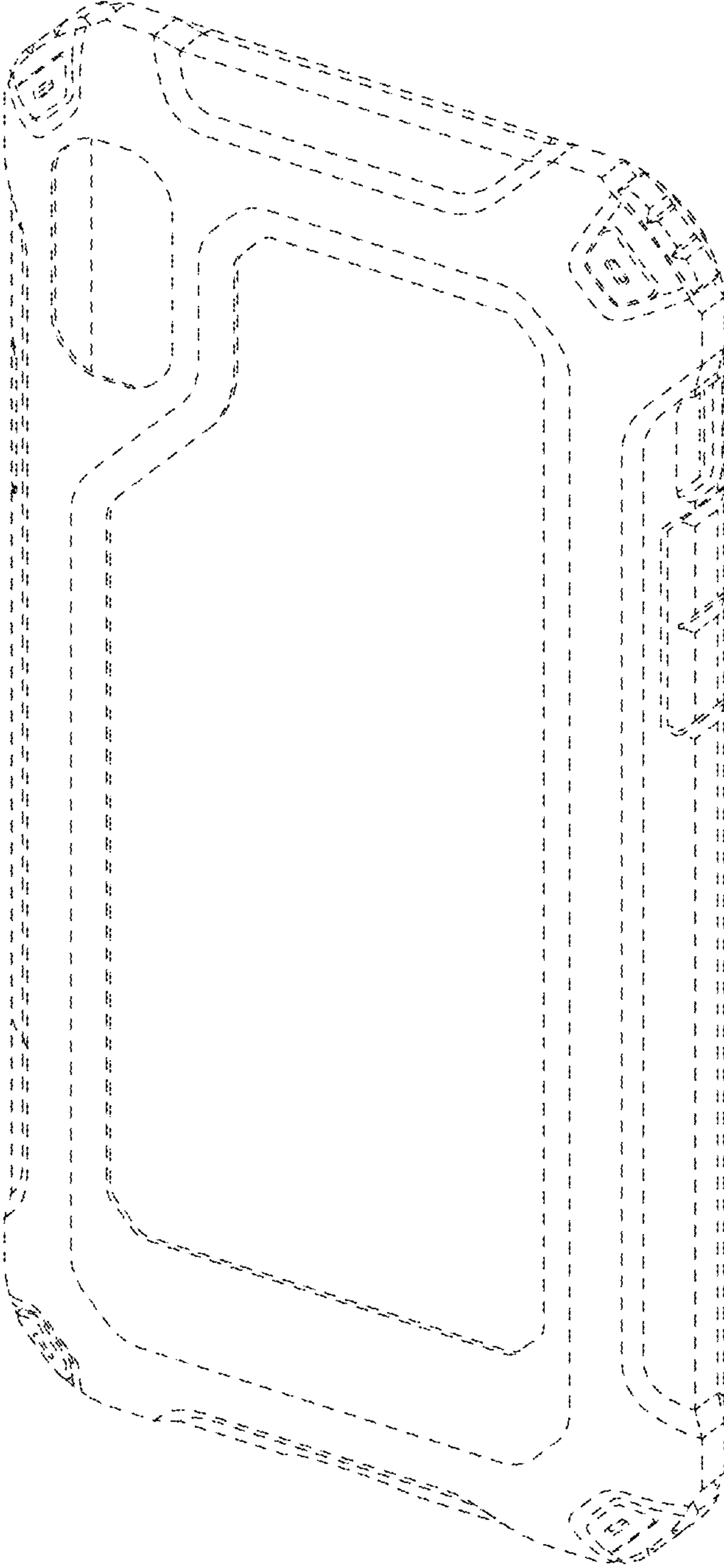


FIG. 3

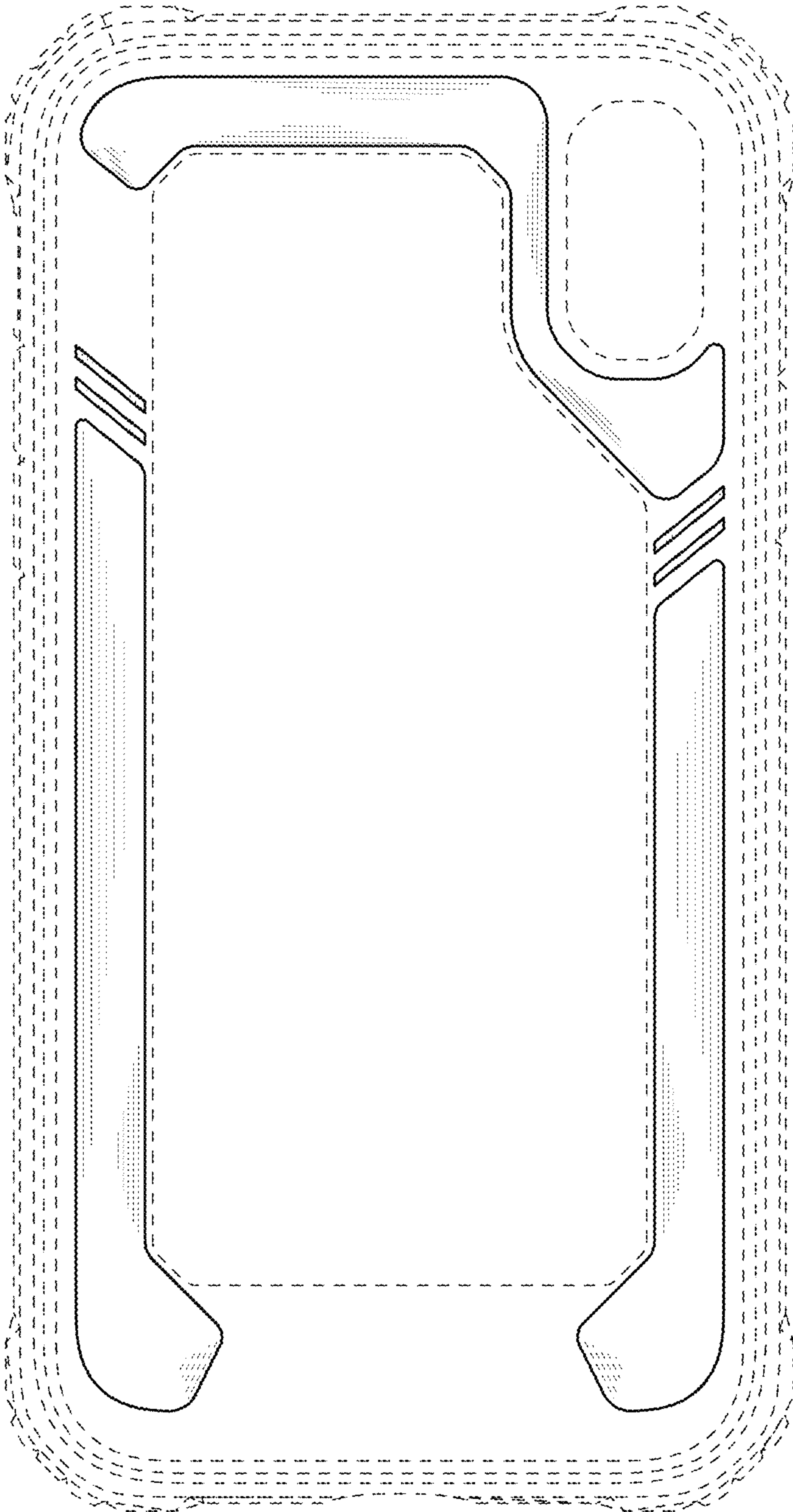


FIG. 4

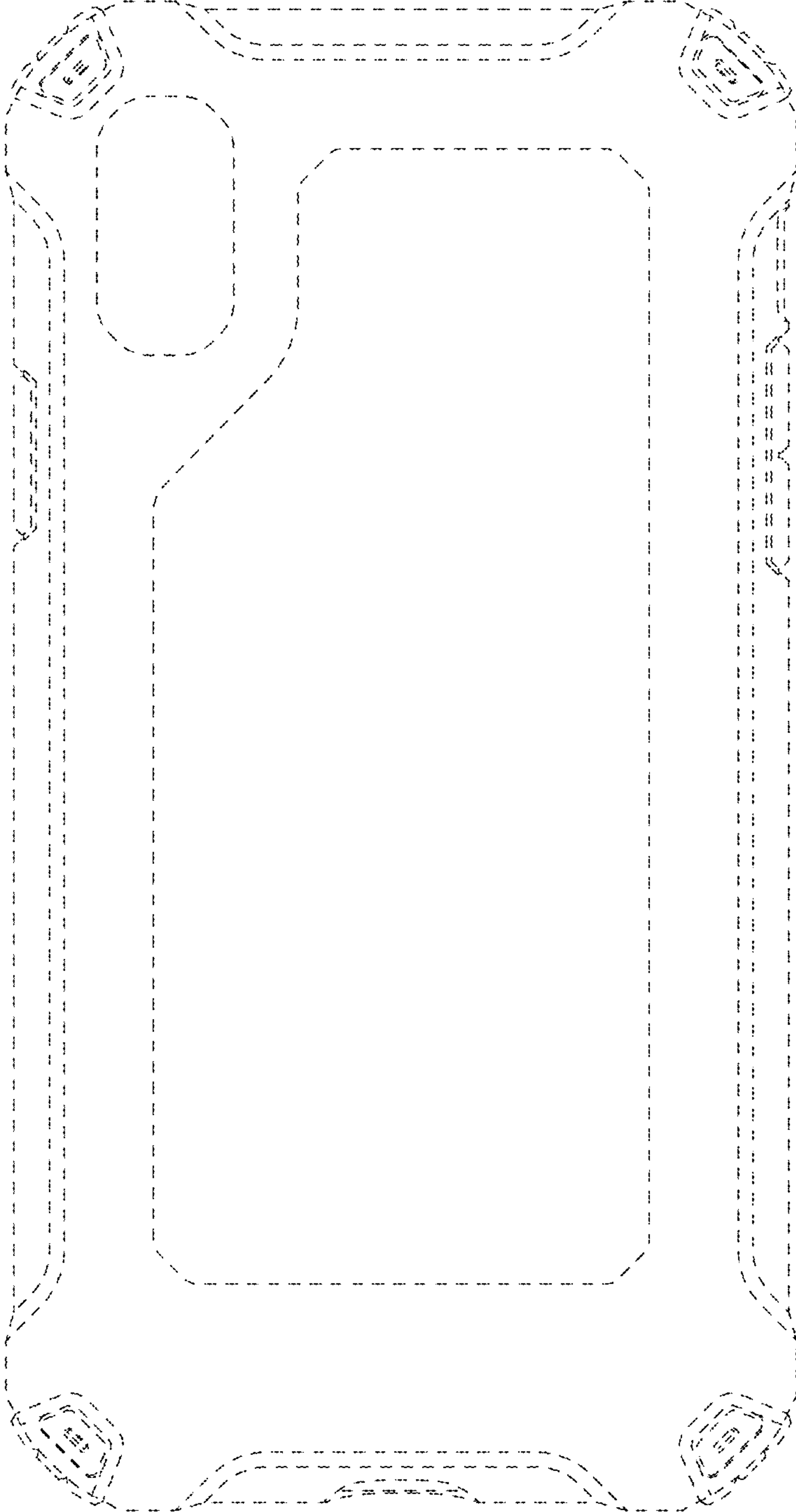


FIG. 5

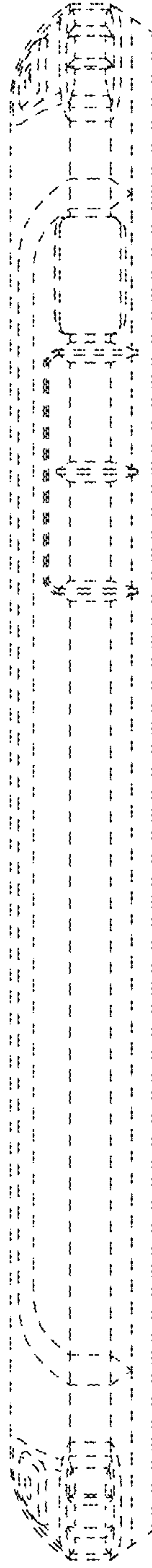


FIG. 6

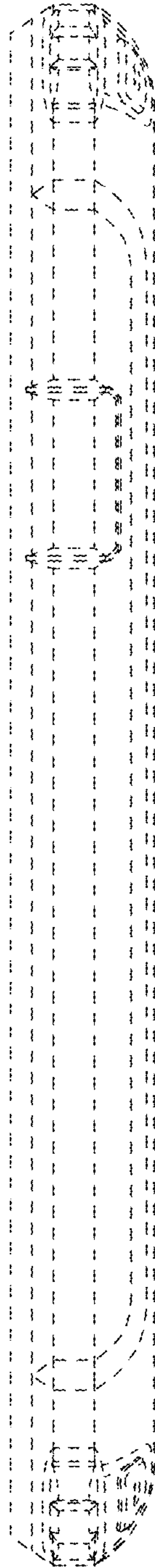


FIG. 7

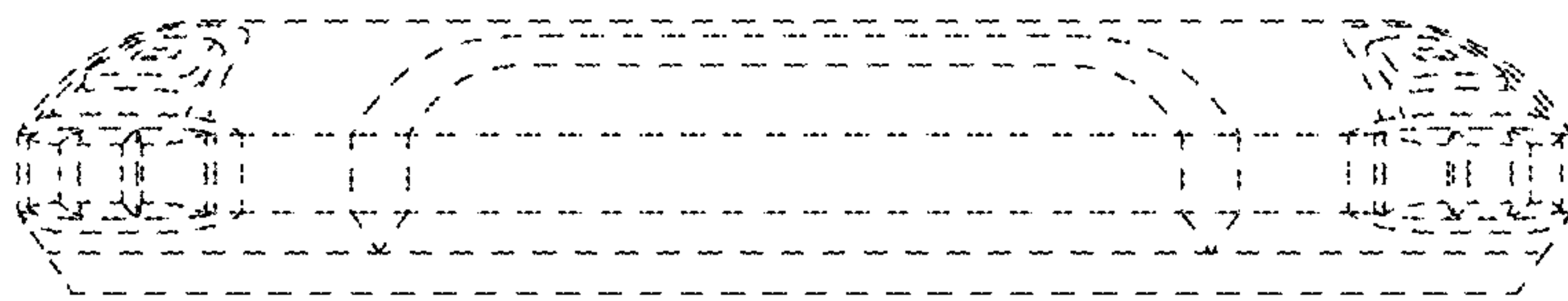


FIG. 8

