



US00D924862S

(12) **United States Design Patent** (10) **Patent No.:** **US D924,862 S**  
**Chen** (45) **Date of Patent:** **\*\* Jul. 13, 2021**

(54) **CASE FOR ELECTRONIC DEVICE**  
(71) Applicant: **Dongguan Guevara Communication Technology Co., Ltd, Dongguan (CN)**  
(72) Inventor: **Jinbao Chen, Dongguan (CN)**

D765,632 S \* 9/2016 Northrup ..... D14/250  
D765,644 S \* 9/2016 Witter ..... D14/250  
D773,445 S \* 12/2016 Witter ..... D14/250  
D780,742 S \* 3/2017 Guerdrum ..... D14/250  
D808,377 S \* 1/2018 Witter ..... D14/250  
D816,655 S \* 5/2018 Dennis ..... D14/250  
D820,246 S \* 6/2018 Li ..... D14/250

(\*\*) Term: **15 Years**

**OTHER PUBLICATIONS**

(21) Appl. No.: **29/663,454**

Otterbox Commuter Phone Case for iPhone X and XS, publication date Sep. 12, 2017, [online] URL: <https://www.amazon.com/OtterBox-COMMUTER-Case-iPhone-Packaging/dp/B00Z7SJ3KS> (Year: 2017).  
AICase Heavy Duty Case for iPhone X and XS, publication date Oct. 20, 2017, [online] URL: <https://www.amazon.com/AICase-Resistant-Shockproof-Dustproof-Protective/dp/B0793HRFYJ/> (Year: 2017).\*

(22) Filed: **Sep. 14, 2018**

(51) **LOC (13) Cl.** ..... **14-03**

(52) **U.S. Cl.**  
USPC ..... **D14/250**

(58) **Field of Classification Search**  
USPC ..... D3/201, 212, 218, 226, 227, 247, 249, D3/250, 269, 303; D13/103, 107, 108, D13/119; D14/128-130, 137, 138 R, D14/138 AA, 138 C, 138 G, 172, 192, D14/203.3-203.7, 217, 238.1, 247, 248, D14/250-253, 345, 420, 426, 427, 434, D14/440, 447, 496; D21/332  
CPC ..... H04B 1/3888; H04M 1/0283; H04M 1/0202; A45C 1/06; A45C 2011/002; A45C 11/00; A45F 2005/028; A45F 2200/0525

See application file for complete search history.

\* cited by examiner

*Primary Examiner* — L. A. Grabenstetter  
(74) *Attorney, Agent, or Firm* — Novoclaims Patent Services LLC; Mei Lin Wong

(56) **References Cited**

**U.S. PATENT DOCUMENTS**

D680,522 S \* 4/2013 Melanson ..... D14/250  
D709,439 S \* 7/2014 Ferber ..... D13/103  
D718,230 S \* 11/2014 To ..... D13/103  
D728,468 S \* 5/2015 Ferber ..... D13/103  
D740,798 S \* 10/2015 Poon ..... D14/250  
D744,995 S \* 12/2015 Lerenthal ..... D14/250

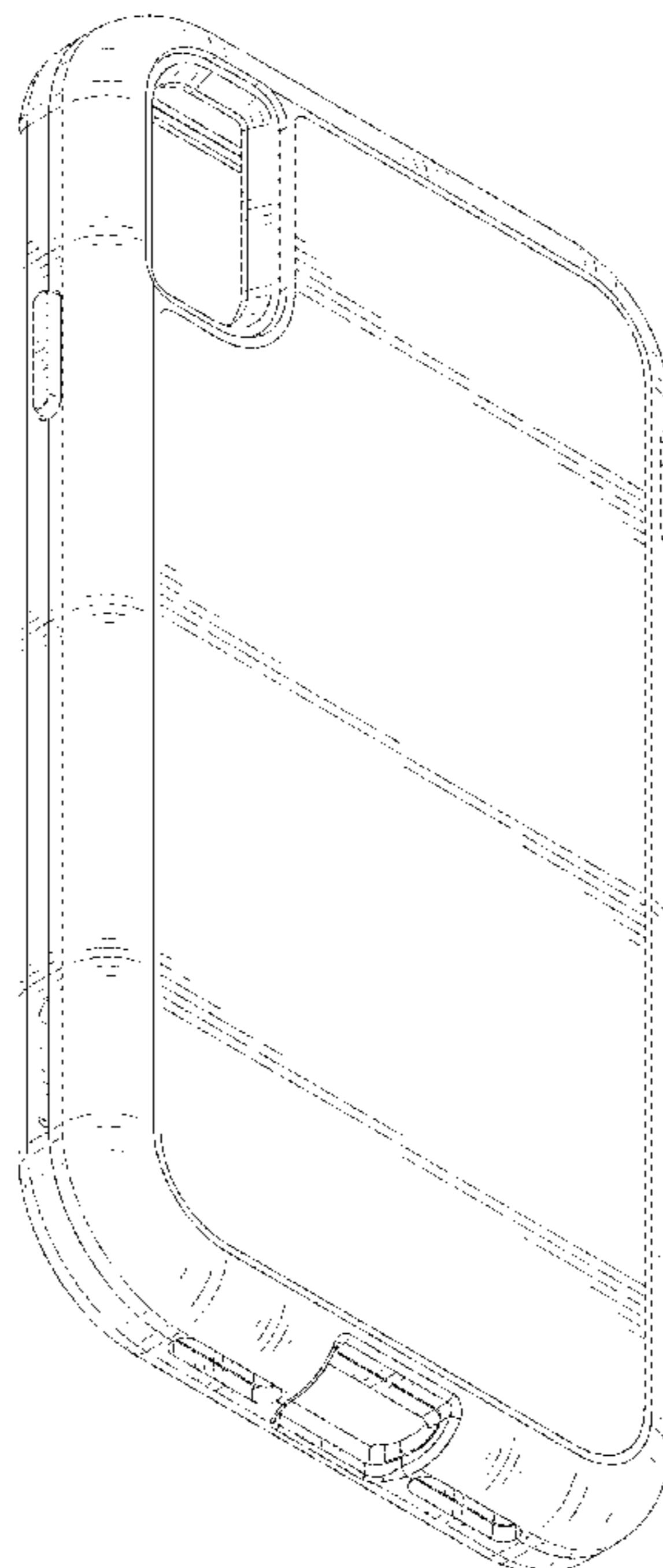
(57) **CLAIM**

The ornamental design for a case for electronic device, as shown and described.

**DESCRIPTION**

FIG. 1 is a front perspective view of a case for electronic device showing my new design.  
FIG. 2 is a rear perspective view thereof.  
FIG. 3 is a front view thereof.  
FIG. 4 is a rear view thereof.  
FIG. 5 is a left side view thereof.  
FIG. 6 is a right side view thereof.  
FIG. 7 is a top view thereof; and,  
FIG. 8 is a bottom view thereof.

**1 Claim, 8 Drawing Sheets**



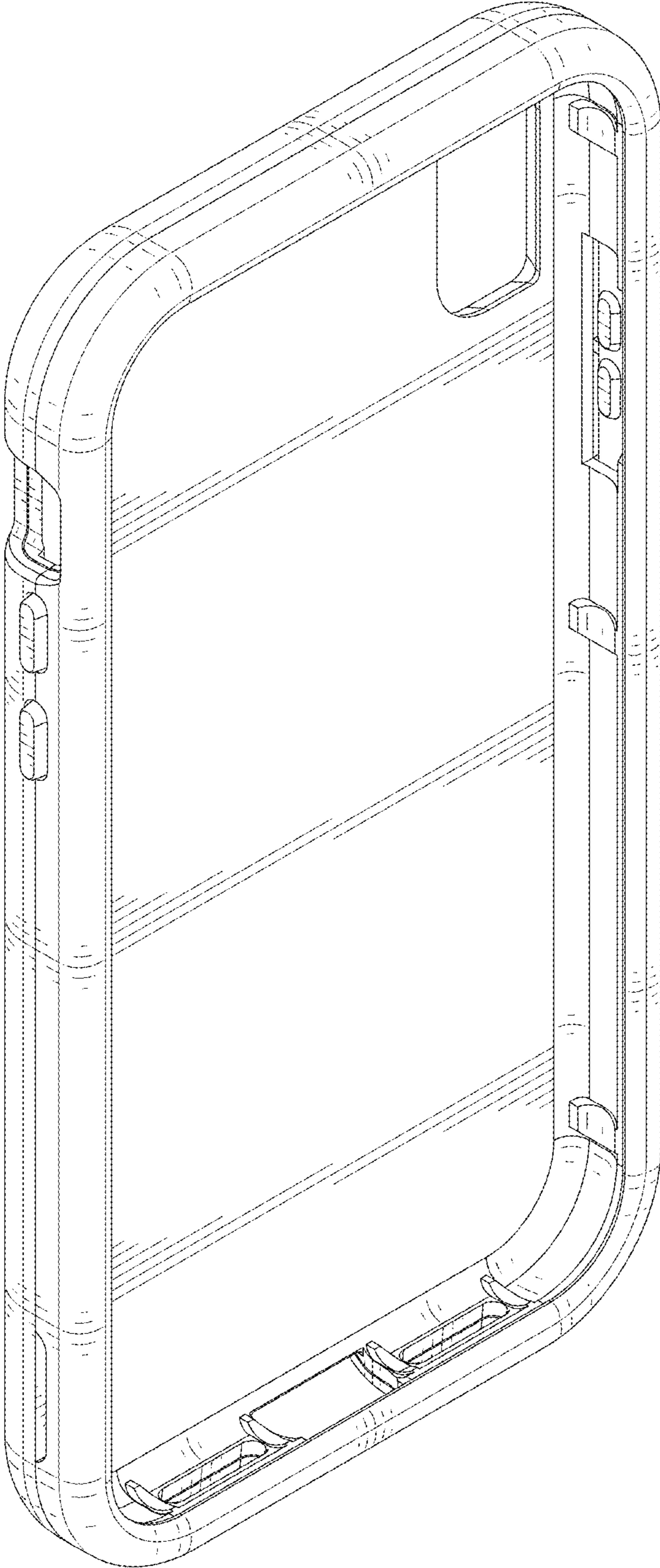


FIG.1

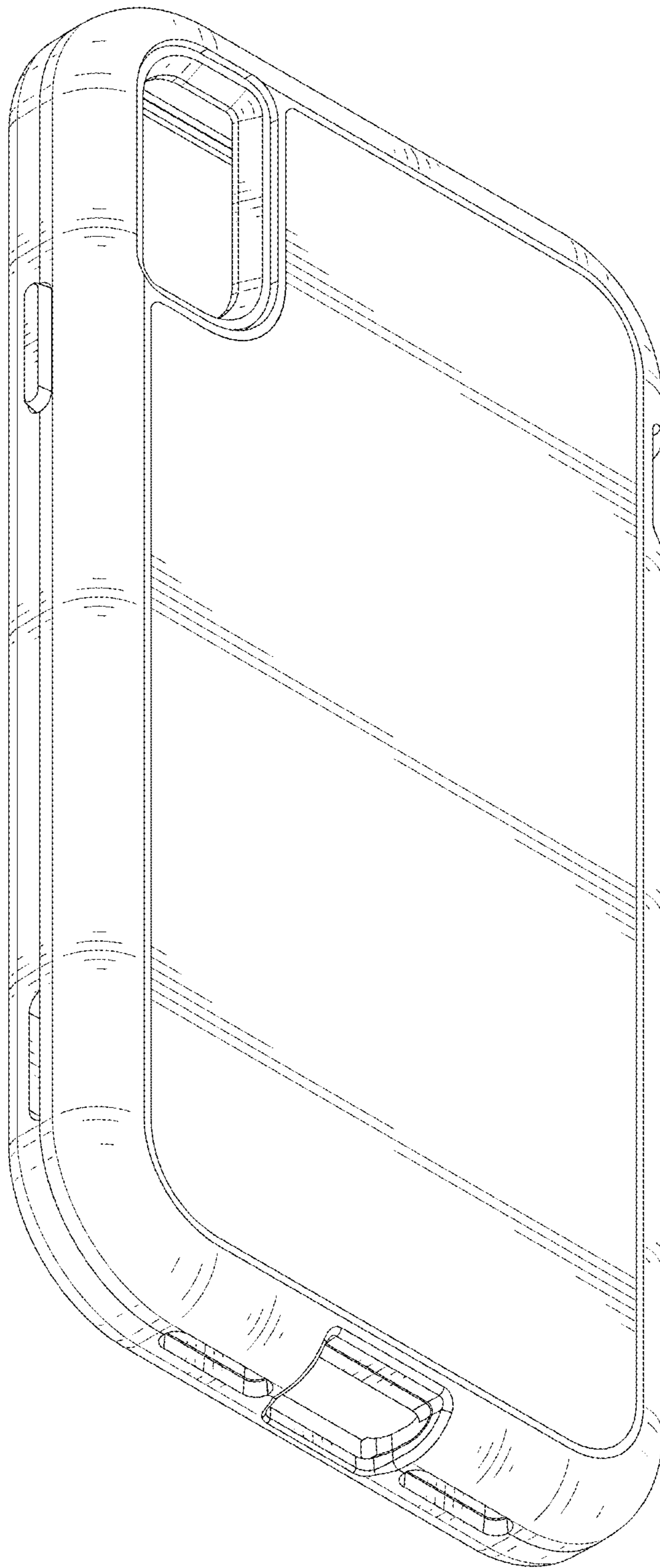


FIG.2

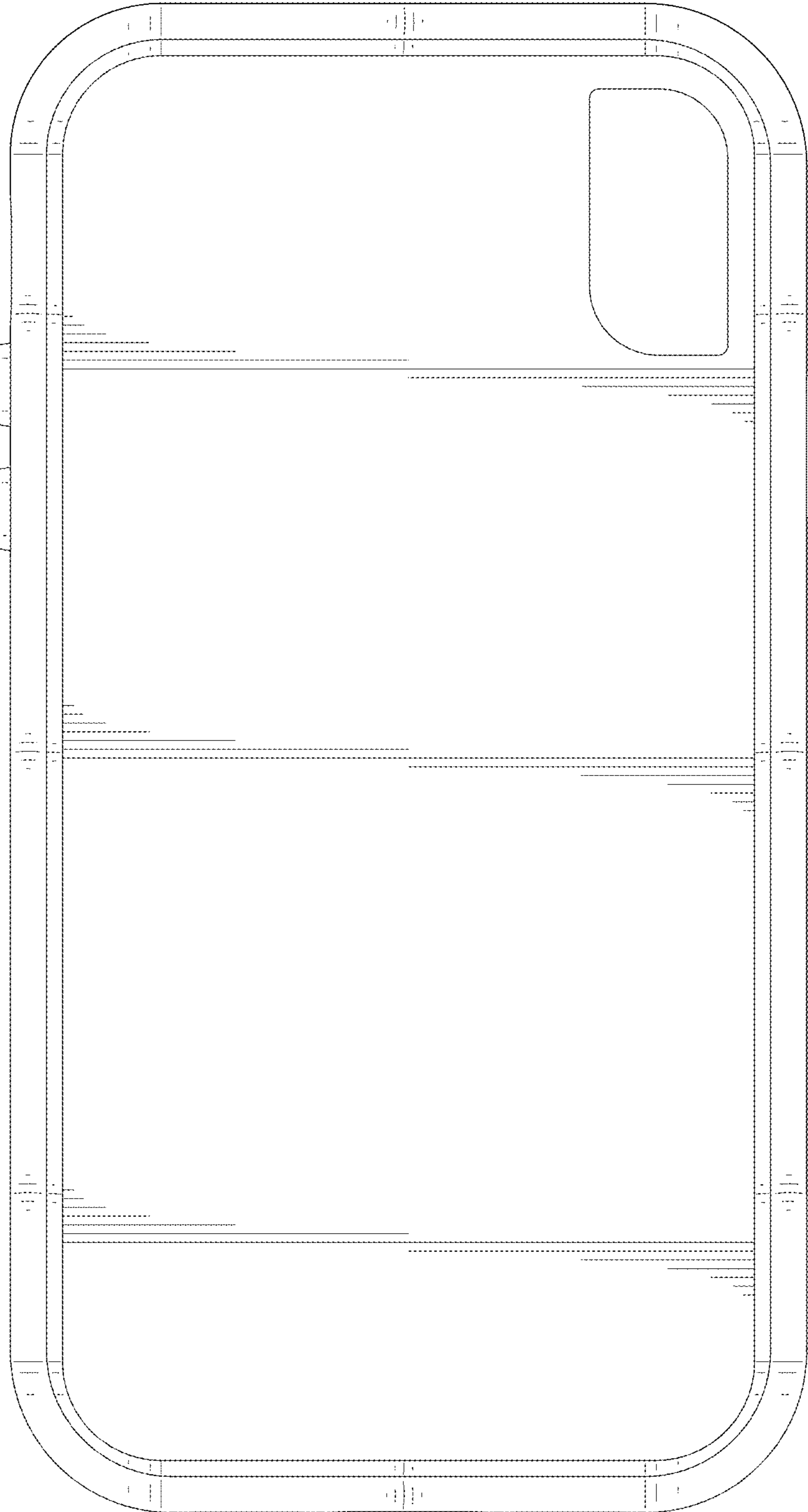


FIG.3



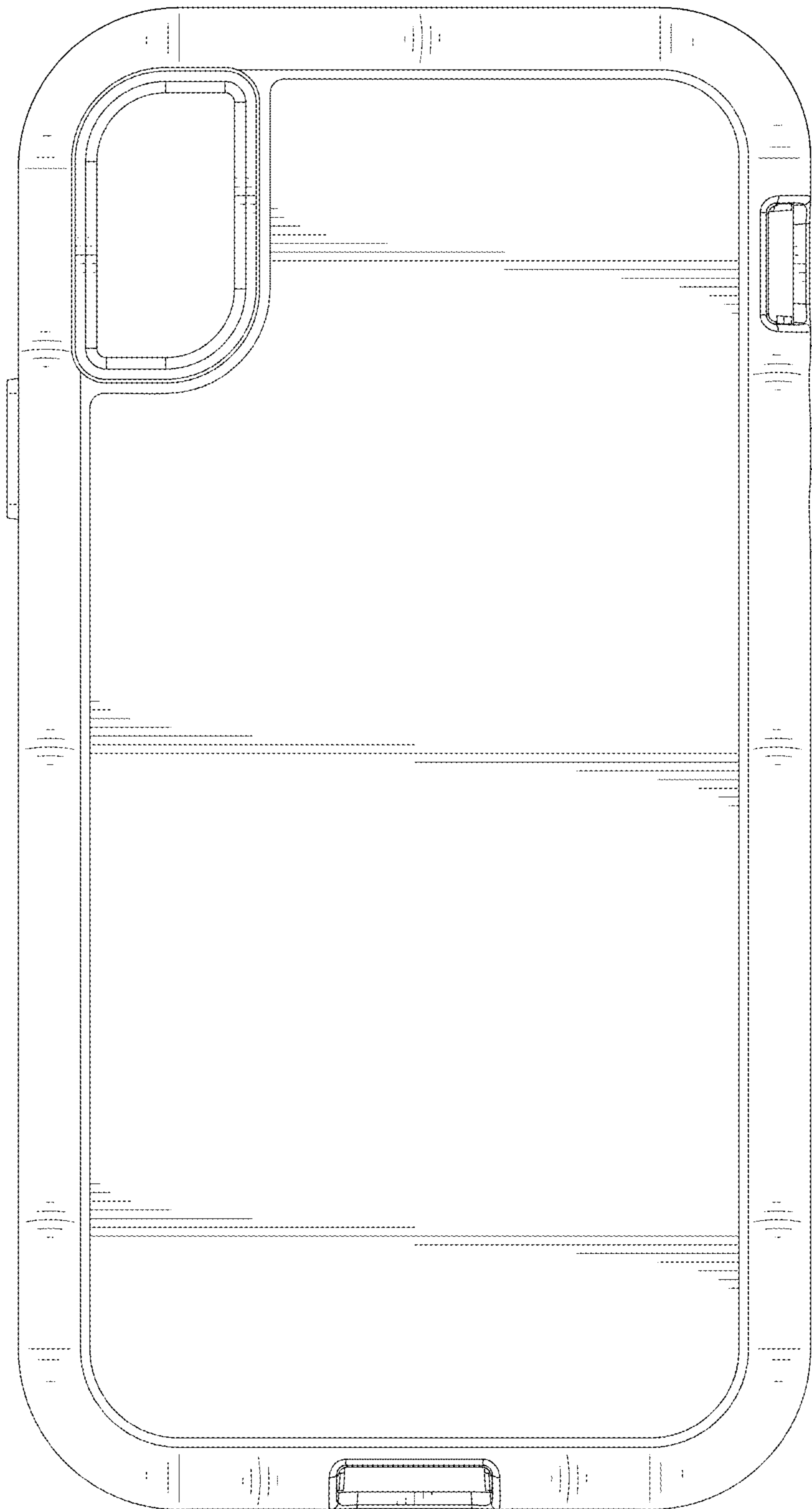


FIG.4

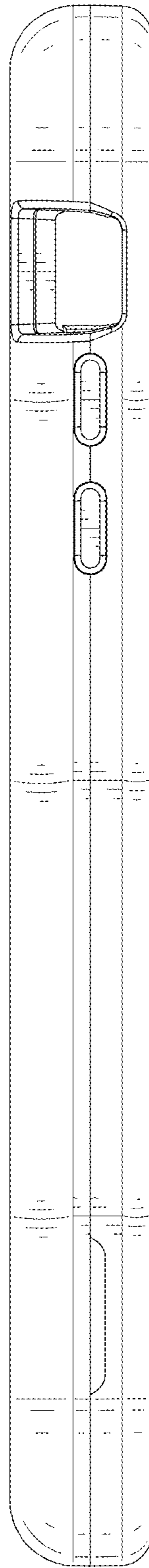


FIG.5

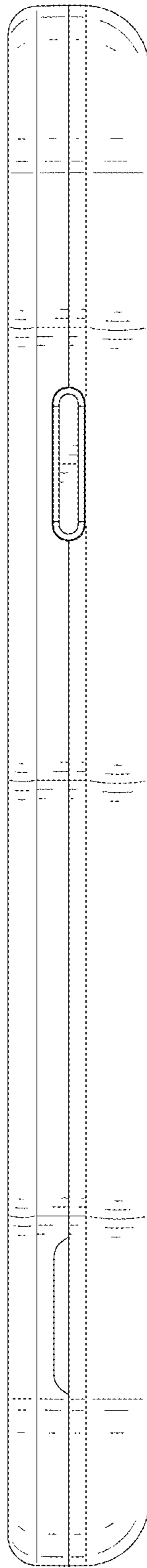


FIG.6

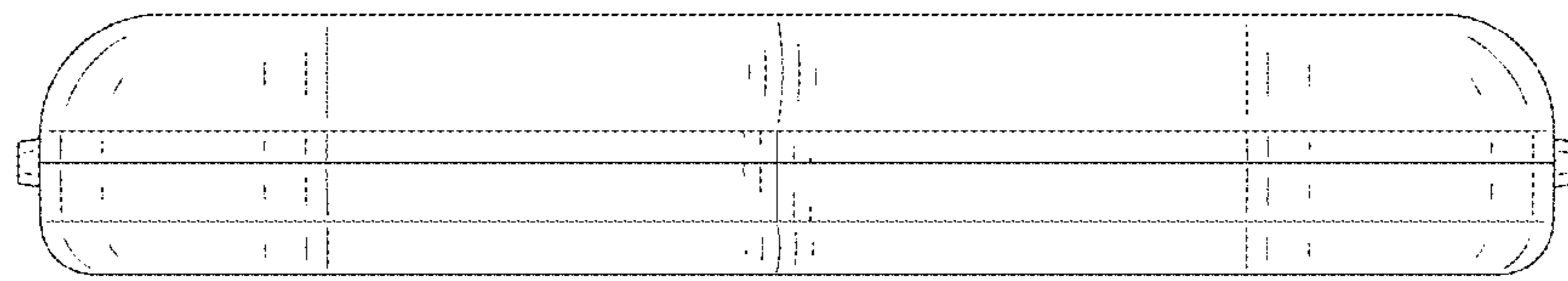


FIG.7



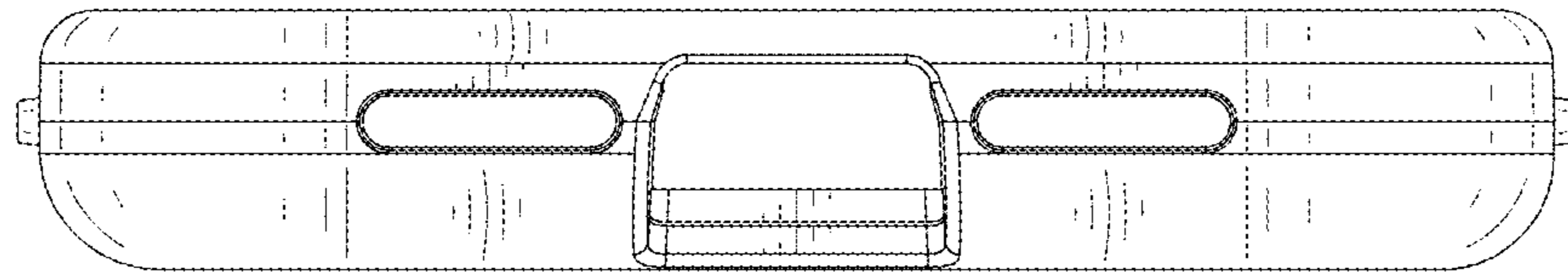


FIG.8