

US00D924858S

(12) **United States Design Patent**
Choi et al.

(10) **Patent No.:** **US D924,858 S**
(45) **Date of Patent:** **** Jul. 13, 2021**

(54) **TELEVISION RECEIVER**

FOREIGN PATENT DOCUMENTS

(71) Applicant: **Samsung Electronics Co., Ltd.**,
Suwon-si (KR)

CN 303102115 S 2/2015
CN 303113972 S 2/2015

(Continued)

(72) Inventors: **Su-An Choi**, Suwon-si (KR);
Sang-Young Lee, Suwon-si (KR);
Dong-Wook Kim, Suwon-si (KR)

Primary Examiner — Katie Jane Stofko
(74) *Attorney, Agent, or Firm* — McAndrews Held &
Malloy, Ltd.

(73) Assignee: **SAMSUNG ELECTRONICS CO., LTD.**,
Suwon-si (KR)

(57) **CLAIM**

The ornamental design for a television receiver, as shown
and described.

(**) Term: **15 Years**

DESCRIPTION

(21) Appl. No.: **29/725,719**

(22) Filed: **Feb. 26, 2020**

(30) **Foreign Application Priority Data**

Sep. 3, 2019 (KR) 30-2019-0042404

(51) **LOC (13) Cl.** **14-03**

(52) **U.S. Cl.**
USPC **D14/239**

(58) **Field of Classification Search**

USPC D14/211, 238, 251, 253, 371-382,
D14/125-129, 336, 337, 447, 448, 451,
D14/452, 492, 450, 239; 341/12;
345/104, 156, 168, 173; 348/180, 184,
348/325, 739; 349/1, 2, 11, 62;
361/679.05-679.07, 679.21; D6/300,
D6/310-313, 308, 708

(Continued)

(56) **References Cited**

U.S. PATENT DOCUMENTS

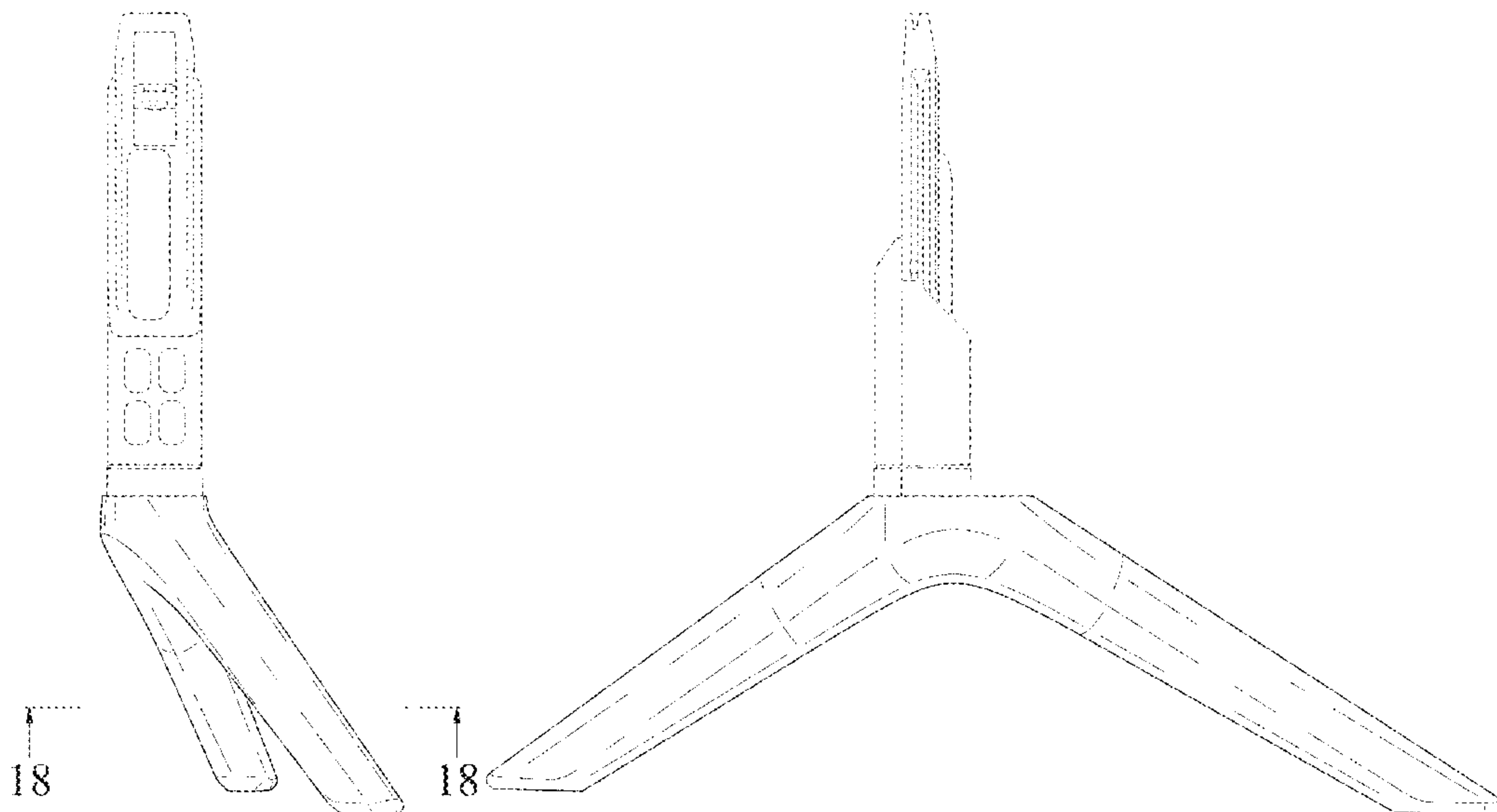
D700,170 S * 2/2014 Choi D14/239
D700,187 S * 2/2014 Lee D14/451

(Continued)

FIG. 1 is a front perspective view of a television receiver
showing our new design;
FIG. 2 is a front elevation view thereof;
FIG. 3 is a rear elevation view thereof;
FIG. 4 is a left side elevation view thereof;
FIG. 5 is a right side elevation view thereof;
FIG. 6 is a top plan view thereof;
FIG. 7 is a bottom plan view thereof;
FIG. 8 is a rear perspective view thereof;
FIG. 9 is a front perspective view of a television receiver
showing the stand of the television receiver separately for
clarity of illustration;
FIG. 10 is a front elevation view thereof;
FIG. 11 is a rear elevation view thereof;
FIG. 12 is a left side elevation view thereof;
FIG. 13 is a right side elevation view thereof;
FIG. 14 is a top plan view thereof;
FIG. 15 is a bottom plan view thereof;
FIG. 16 is another front perspective view thereof;
FIG. 17 is a rear perspective view thereof; and,
FIG. 18 is a cross-sectional view taken through line 18-18 of
FIG. 10.

The evenly dashed broken lines in the drawings illustrate
portions of the television receiver that form no part of the
claimed design.

1 Claim, 18 Drawing Sheets



(58) **Field of Classification Search**

CPC F16M 13/02; F16M 13/00; F16M 11/10;
F16M 11/04; F16M 2200/08; F16M
11/2021; A47B 21/0314; A47B 88/044;
A47B 2021/0335; H02G 3/126; F16B
47/00; F16B 47/006; A47G 1/17; A47K
2201/00

See application file for complete search history.

(56) **References Cited**

U.S. PATENT DOCUMENTS

D705,200	S	*	5/2014	Choi	D14/239
D725,661	S	*	3/2015	Snyder	D14/451
D728,527	S	*	5/2015	Kim	D14/217
D746,825	S	*	1/2016	Kang	D14/451
D757,667	S	*	5/2016	Yokota	D14/126
D762,624	S	*	8/2016	Hu	D14/239
D784,305	S	*	4/2017	Lee	D14/239
D794,620	S	*	8/2017	Lee	D14/239
D853,365	S	*	7/2019	Seong	D14/239
D865,730	S	*	11/2019	Seong	D14/239
D897,324	S	*	9/2020	Lee	D14/239

FOREIGN PATENT DOCUMENTS

CN	303181234	S	4/2015
CN	303551213	S	1/2016
WO	DM/090908		5/2016

* cited by examiner

FIG. 1

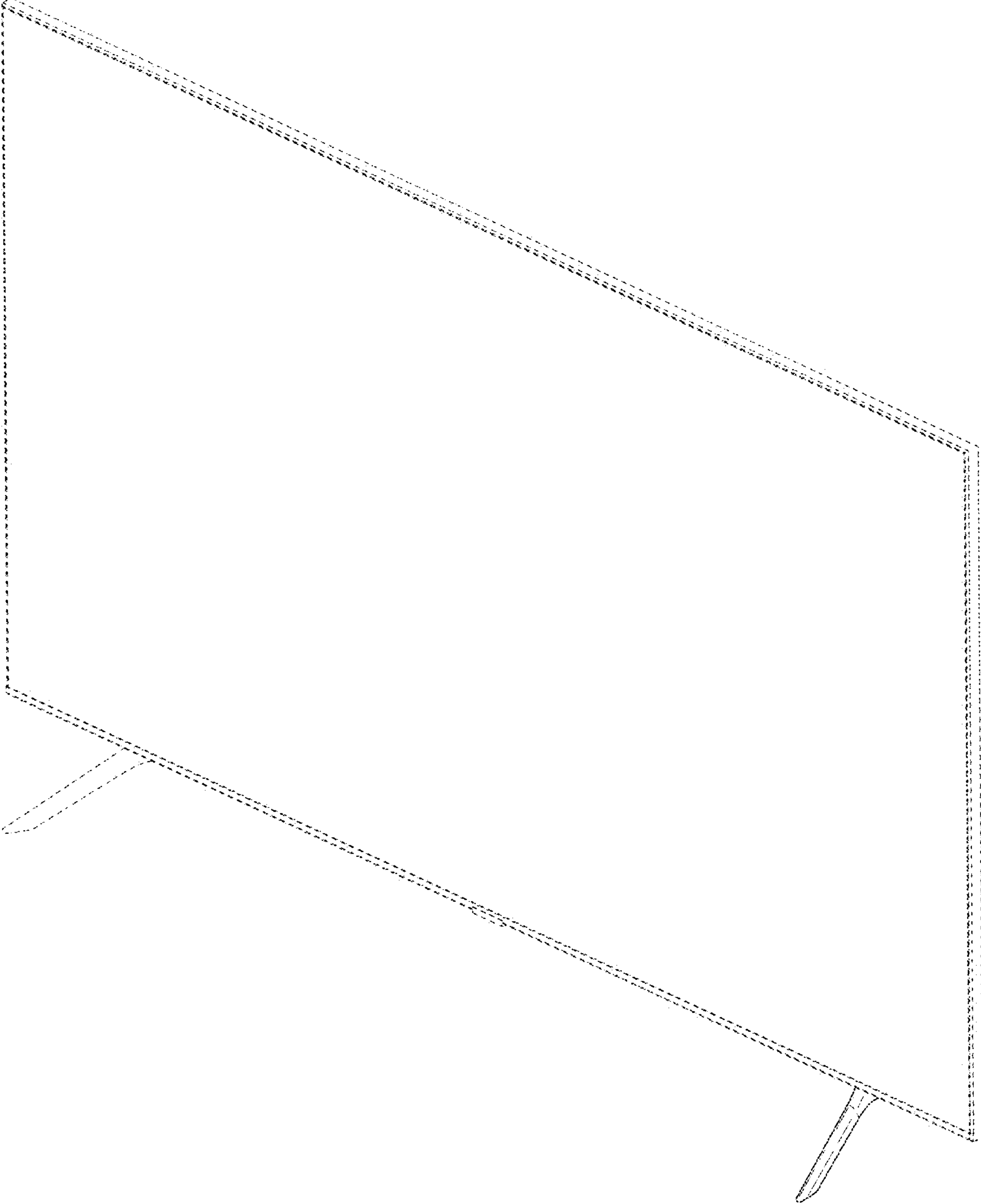


FIG. 2



FIG. 3

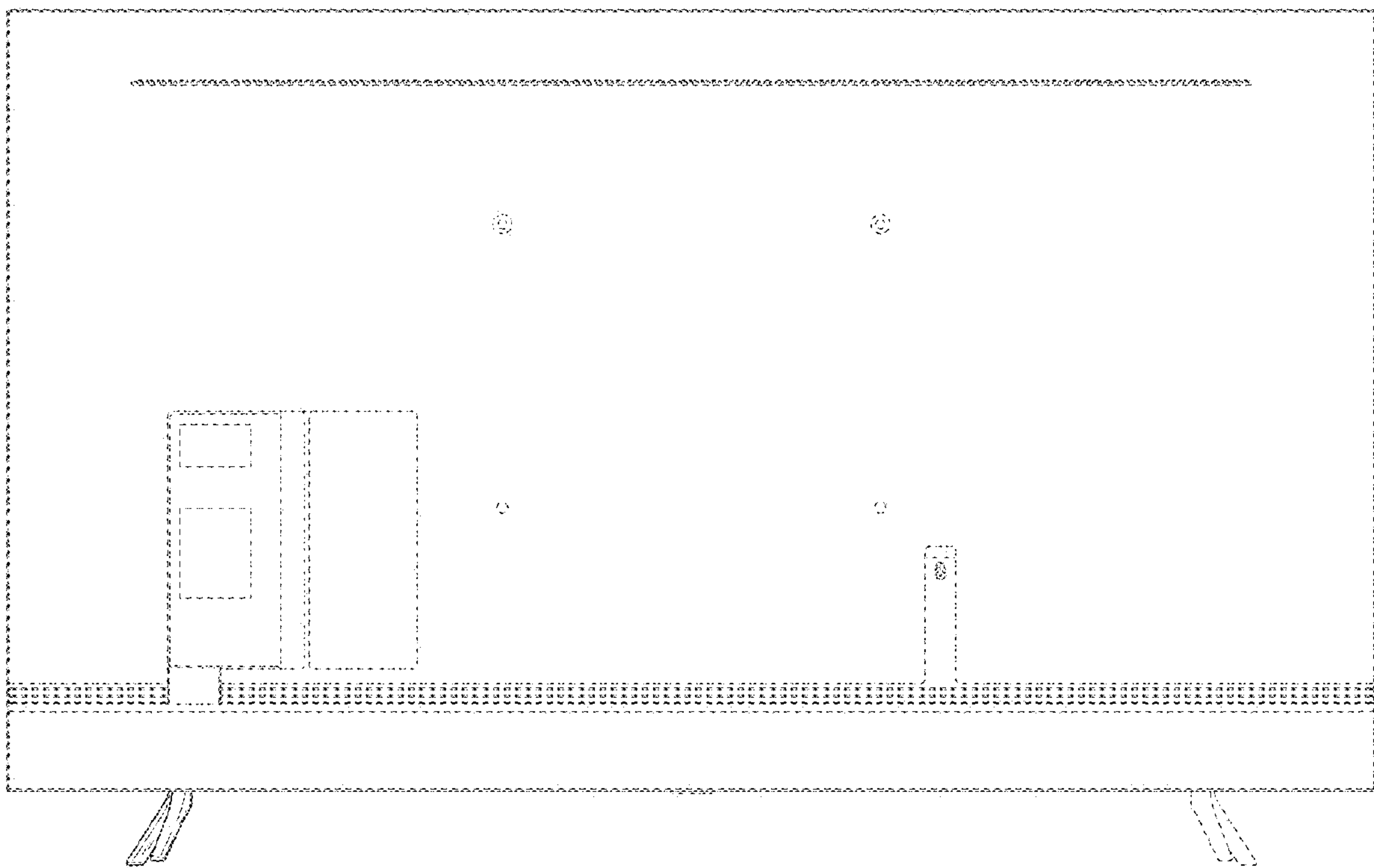


FIG. 4

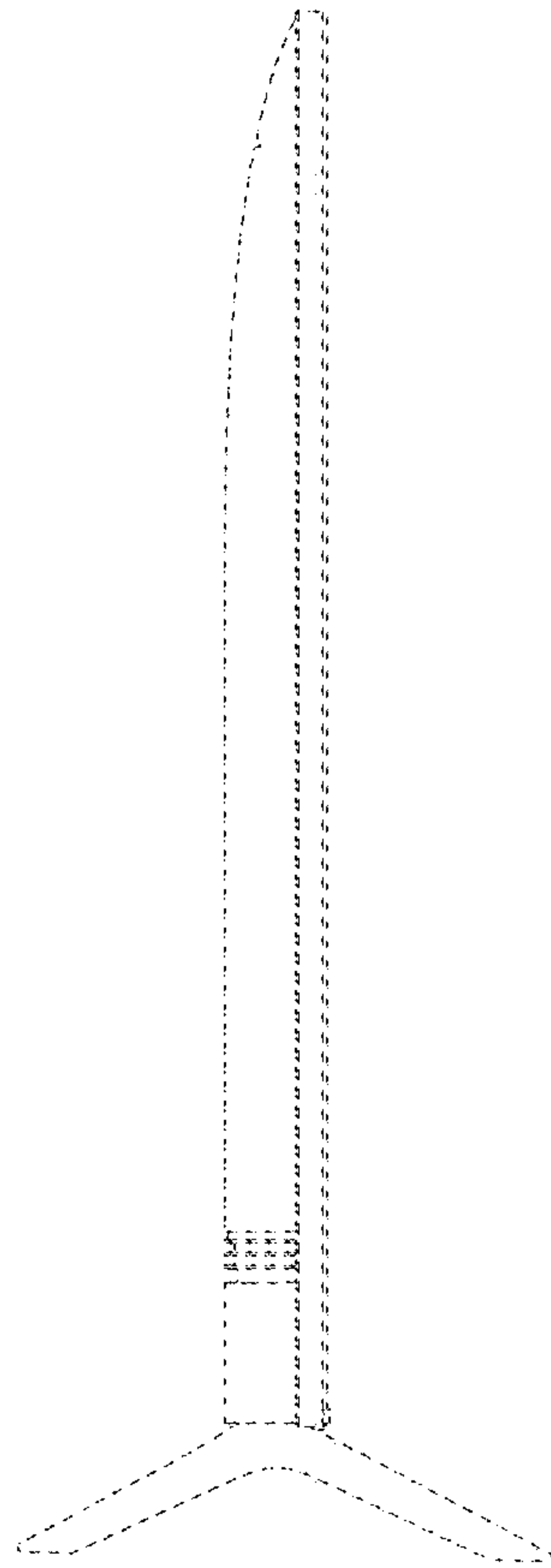


FIG. 5

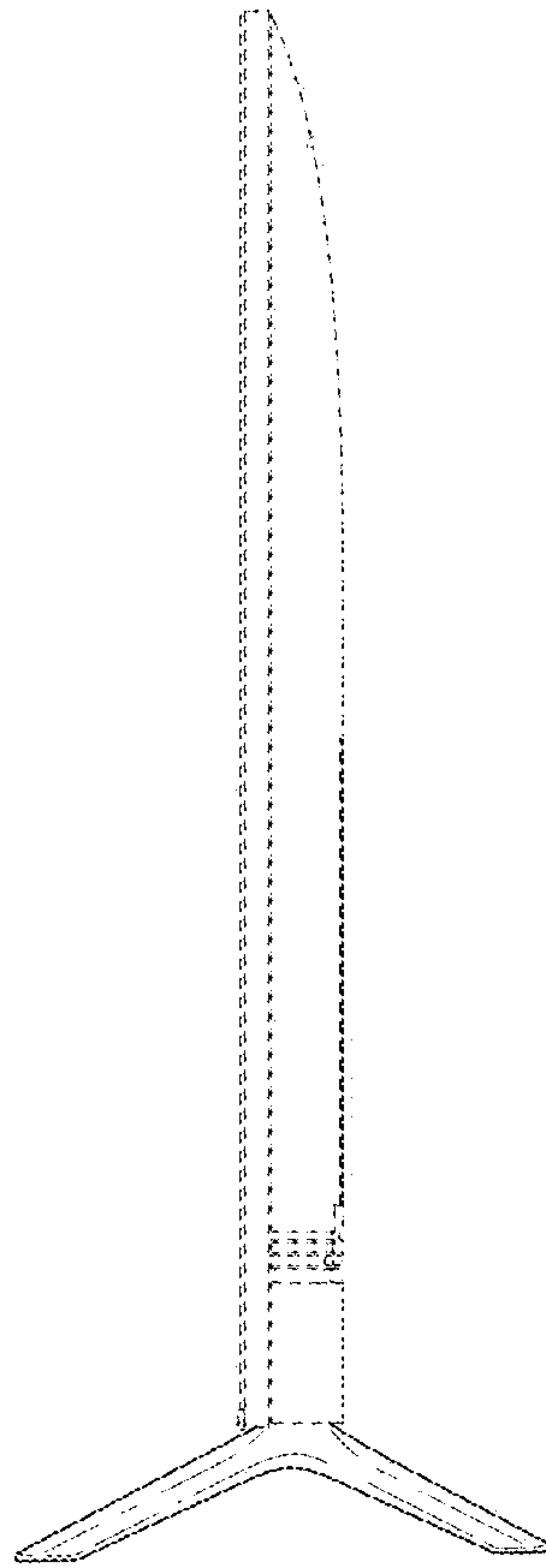


FIG. 6

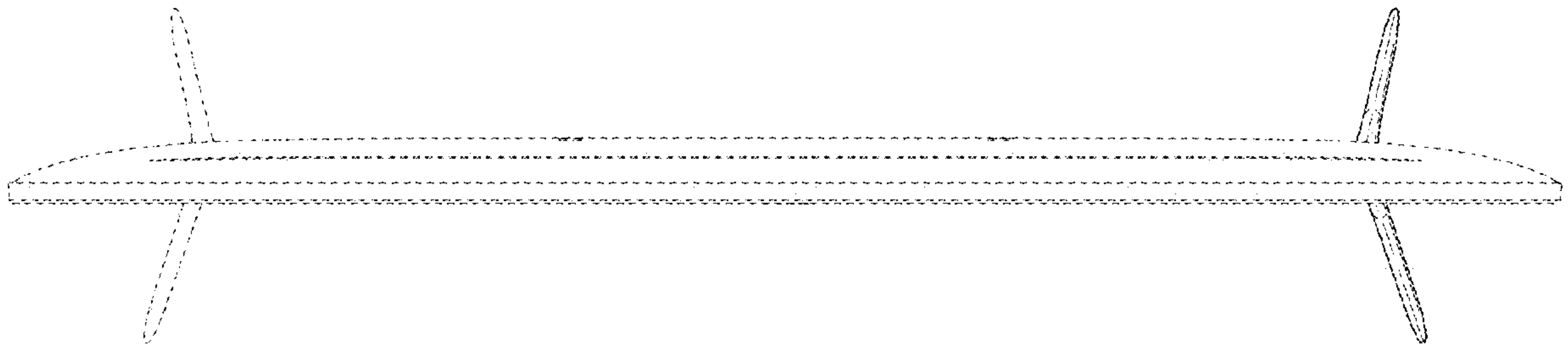


FIG. 7

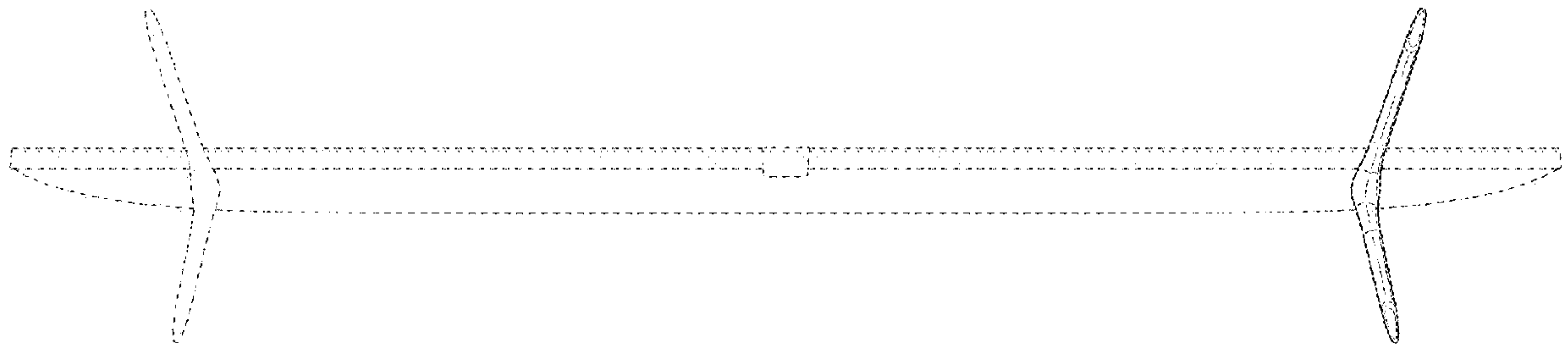


FIG. 8

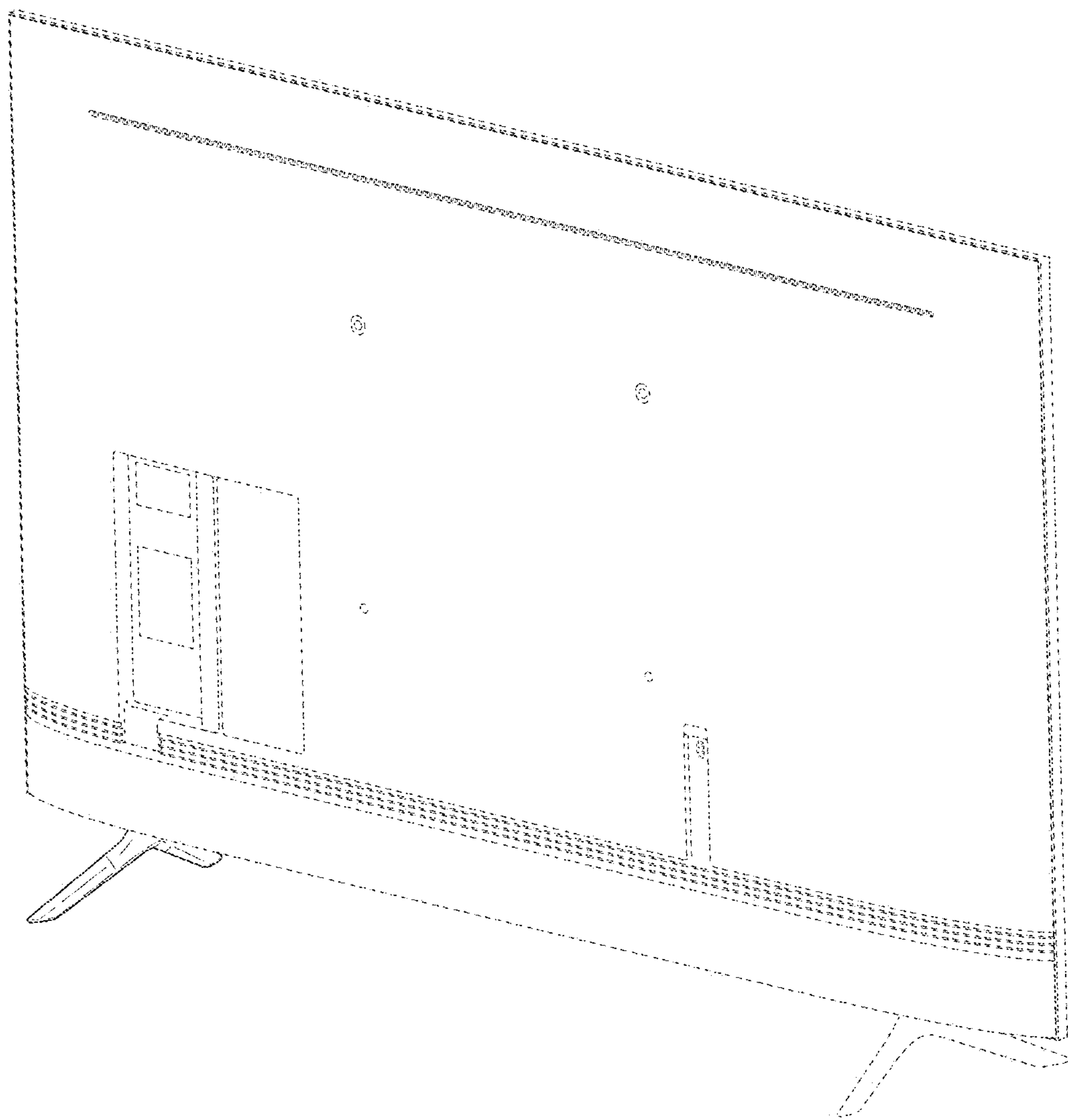


FIG. 9

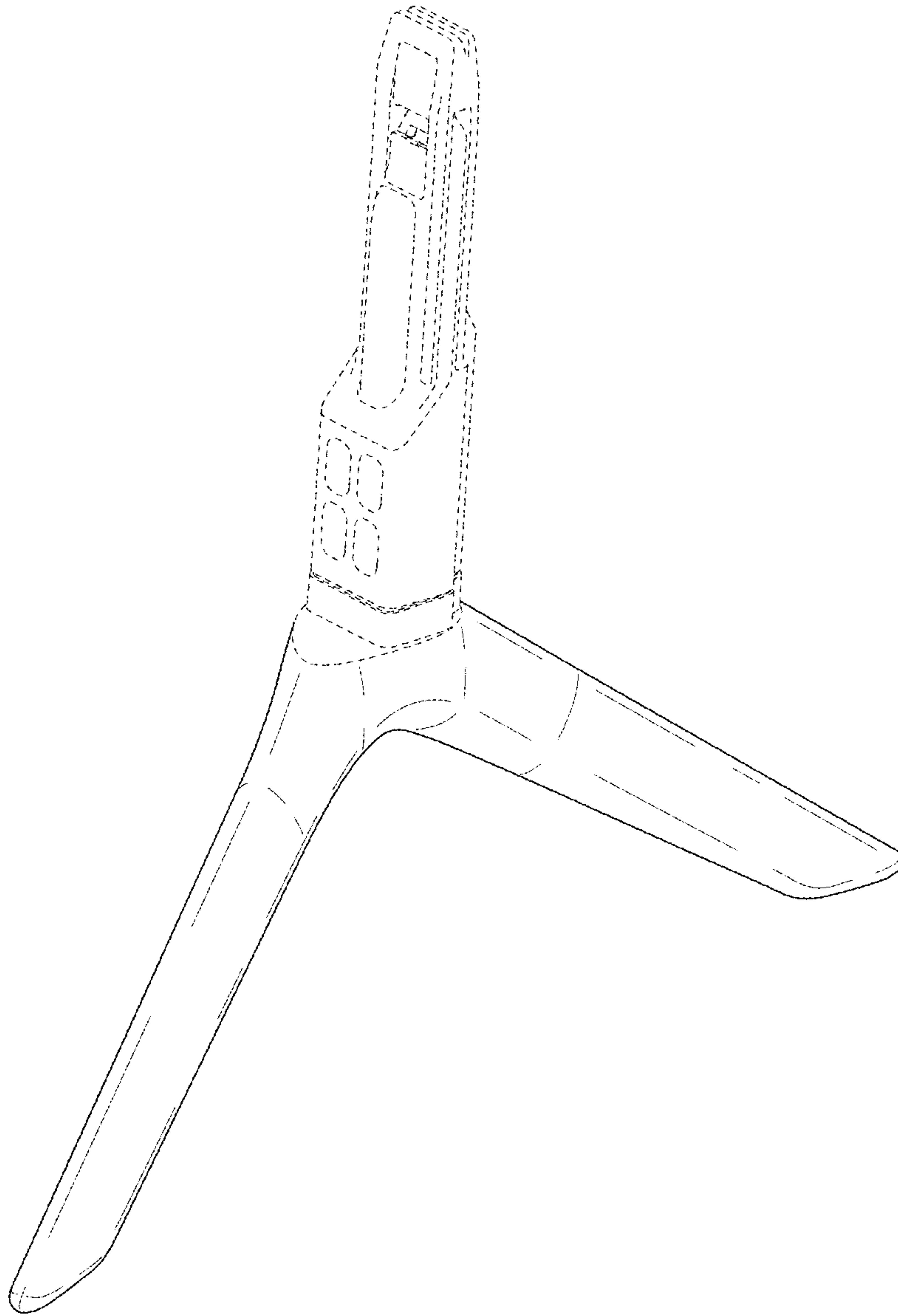


FIG. 10

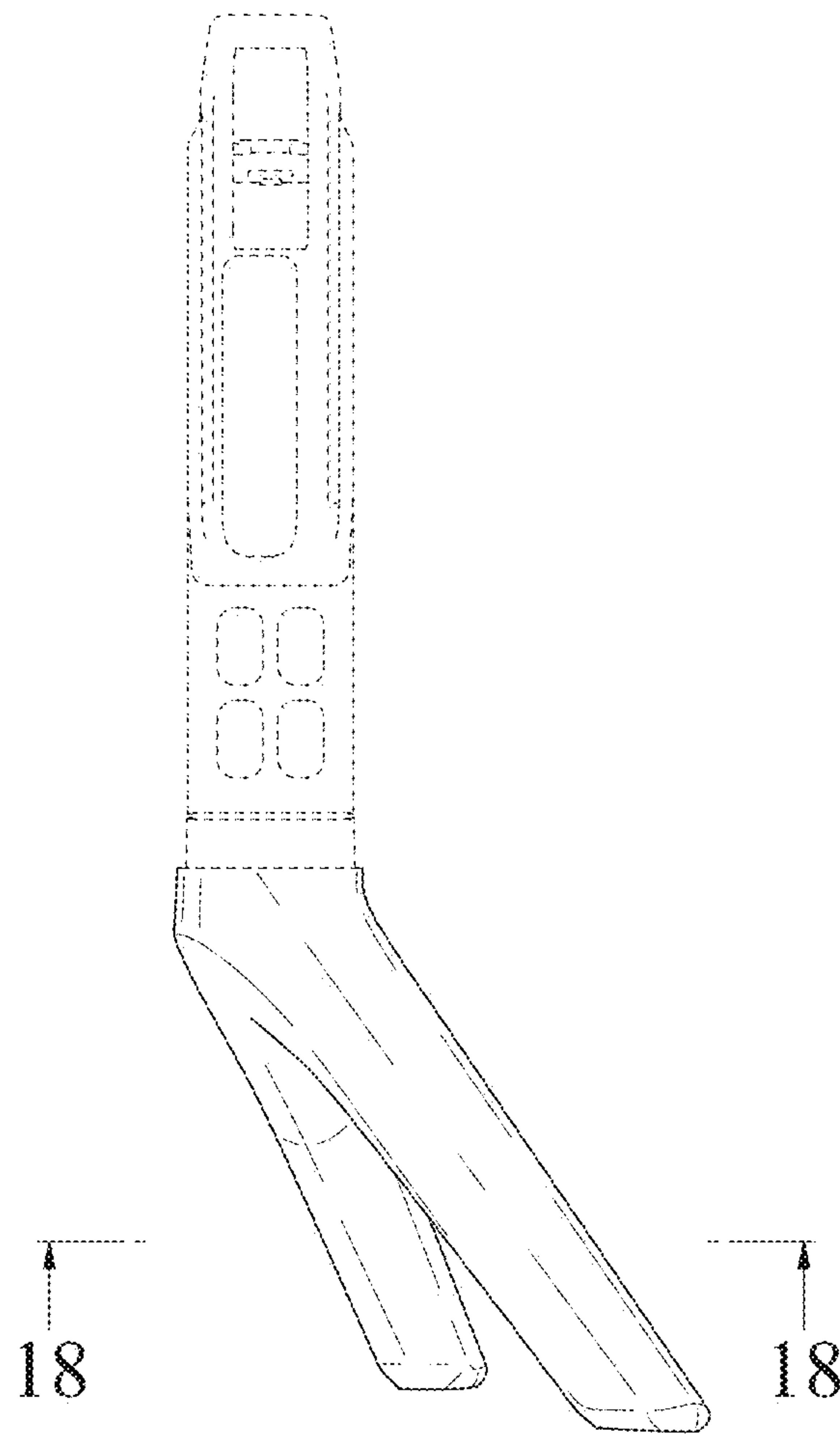


FIG. 11

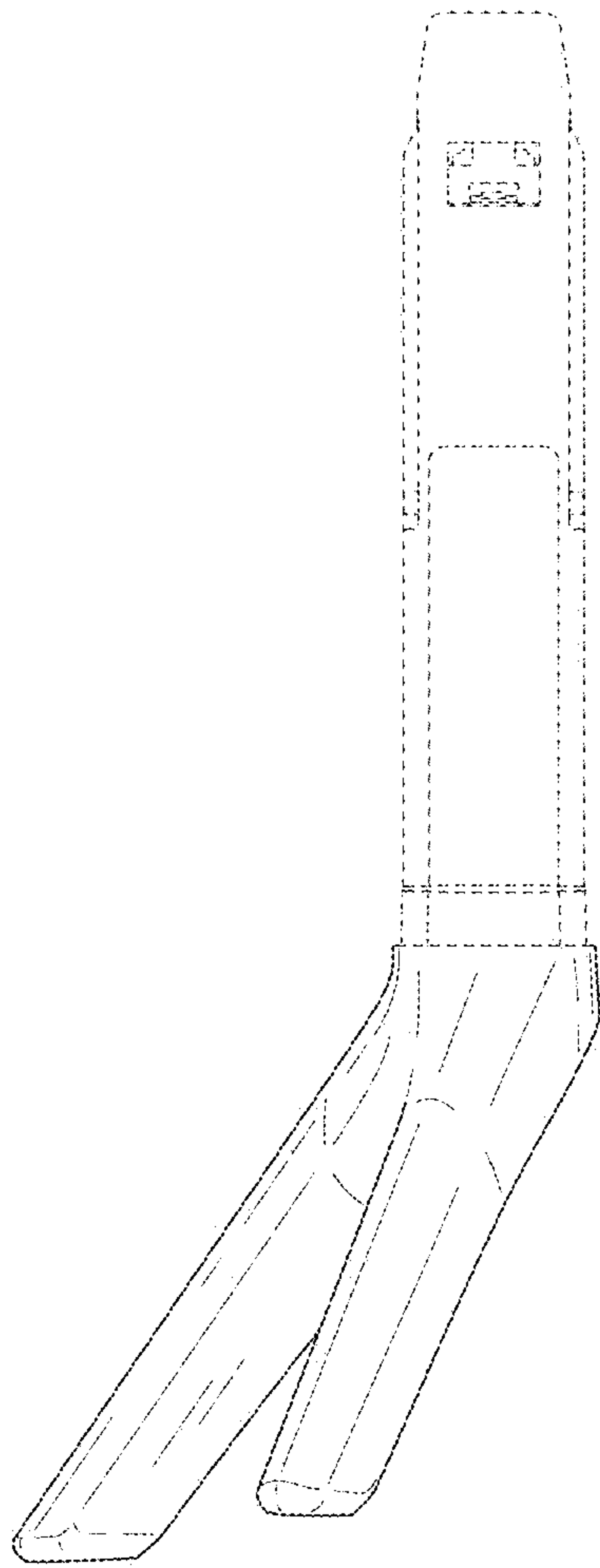


FIG. 12

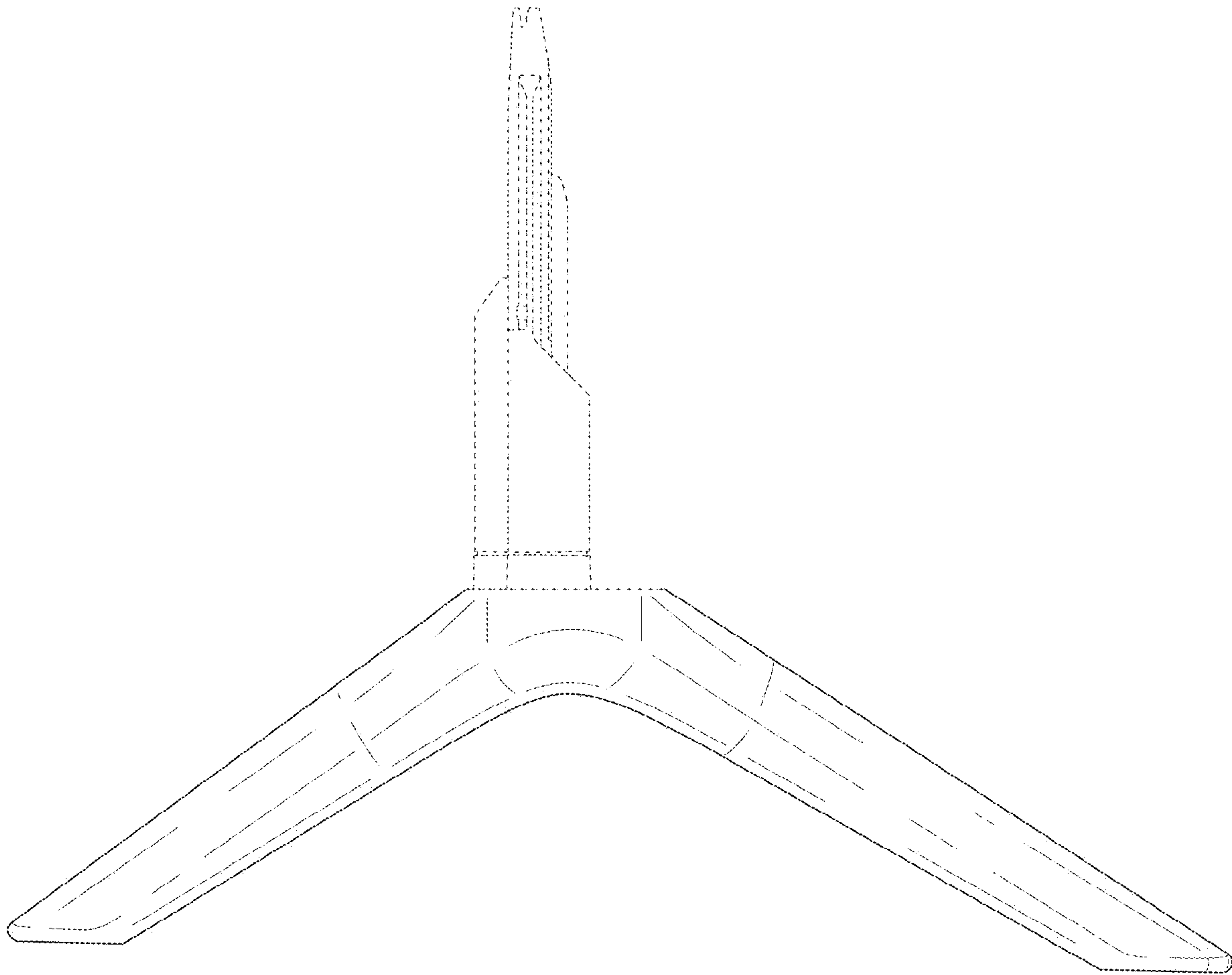


FIG. 13

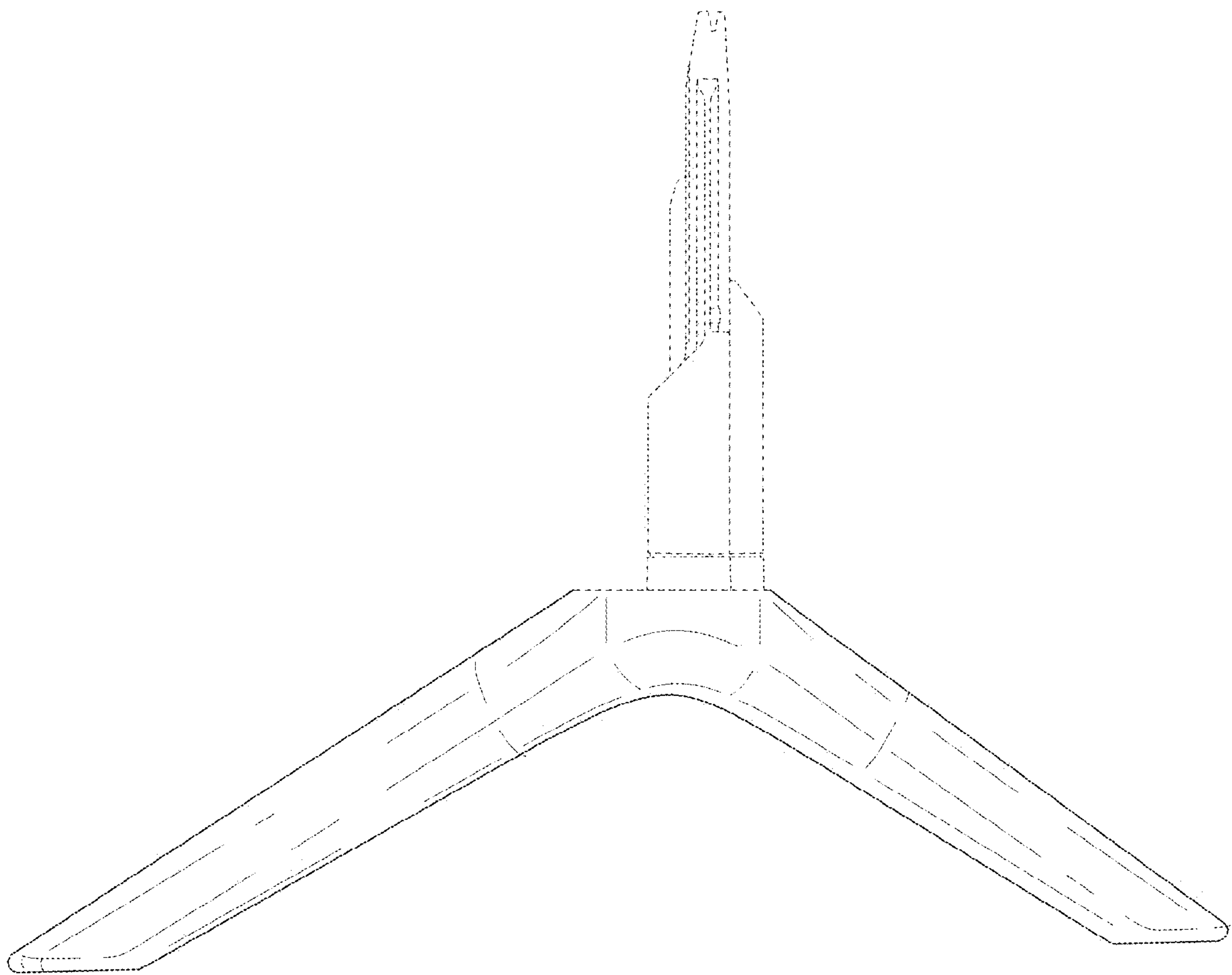


FIG. 14

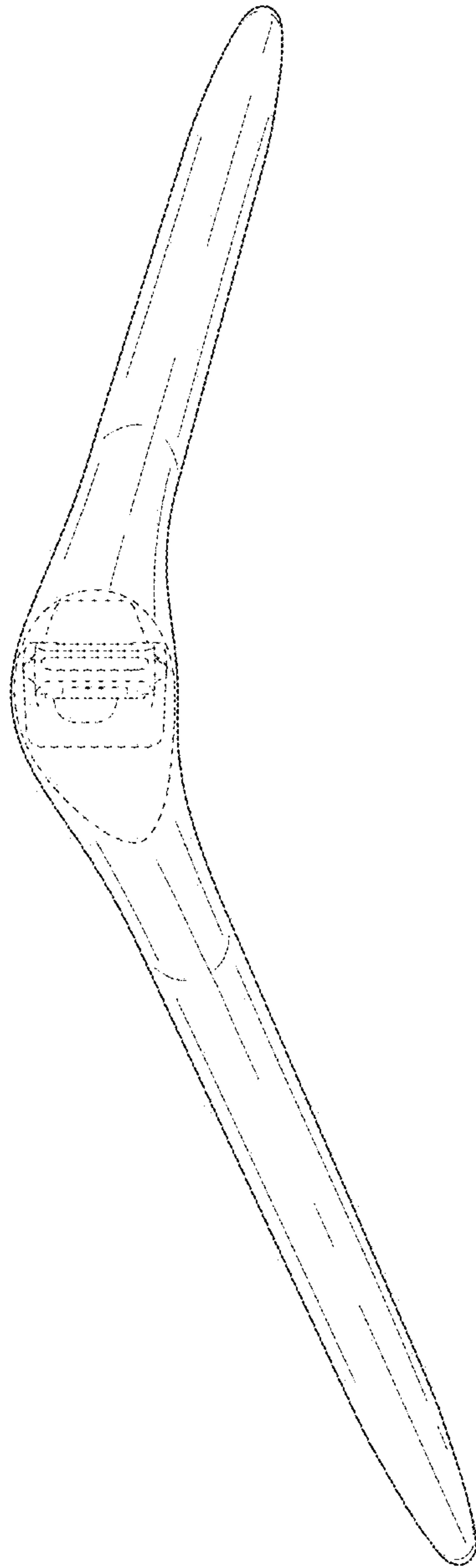


FIG. 15

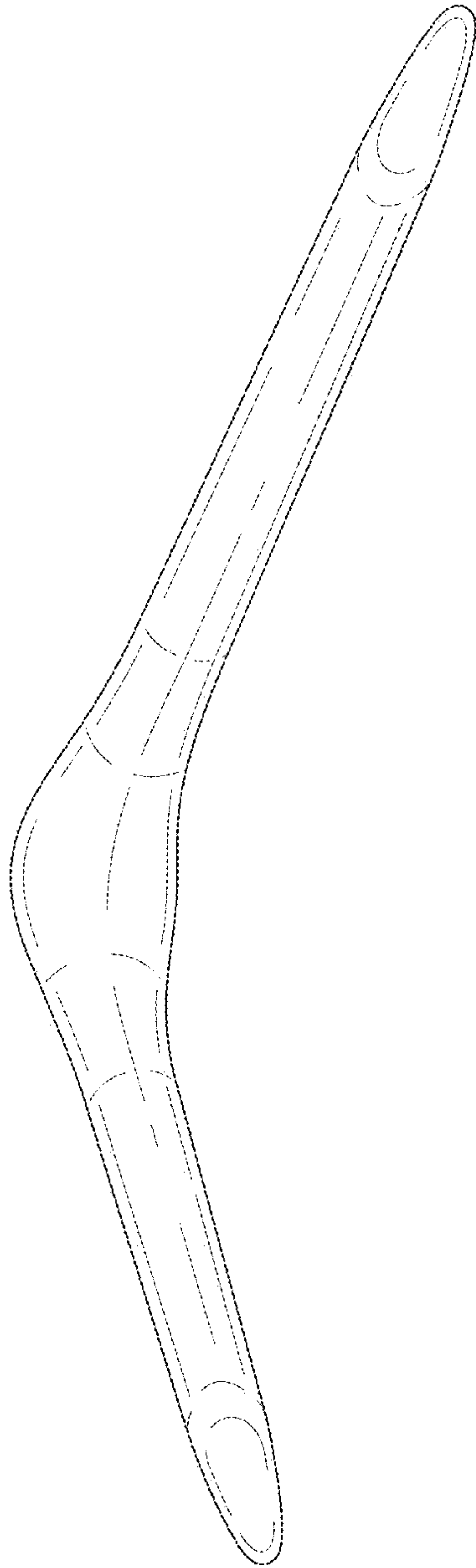


FIG. 16

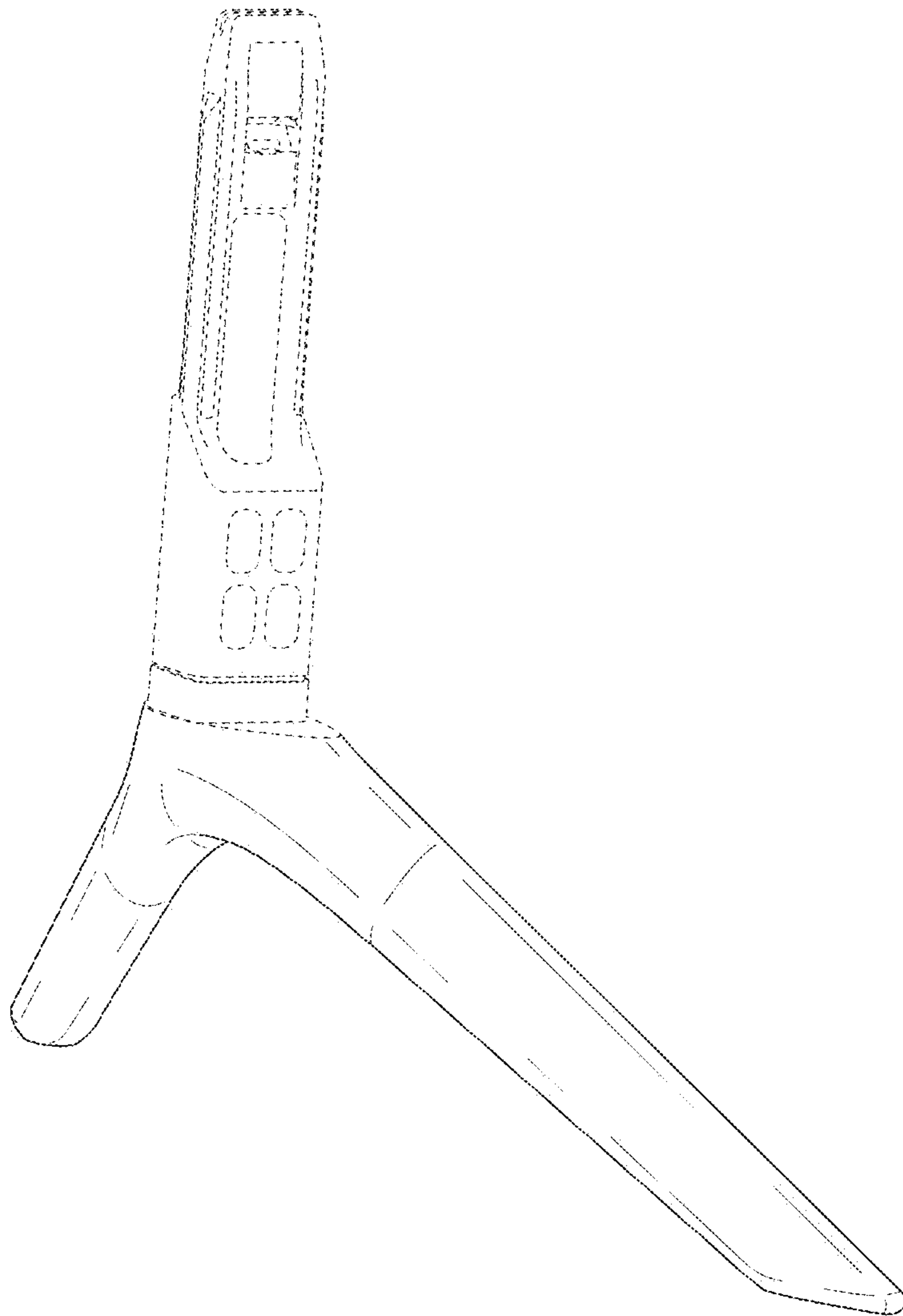


FIG. 17

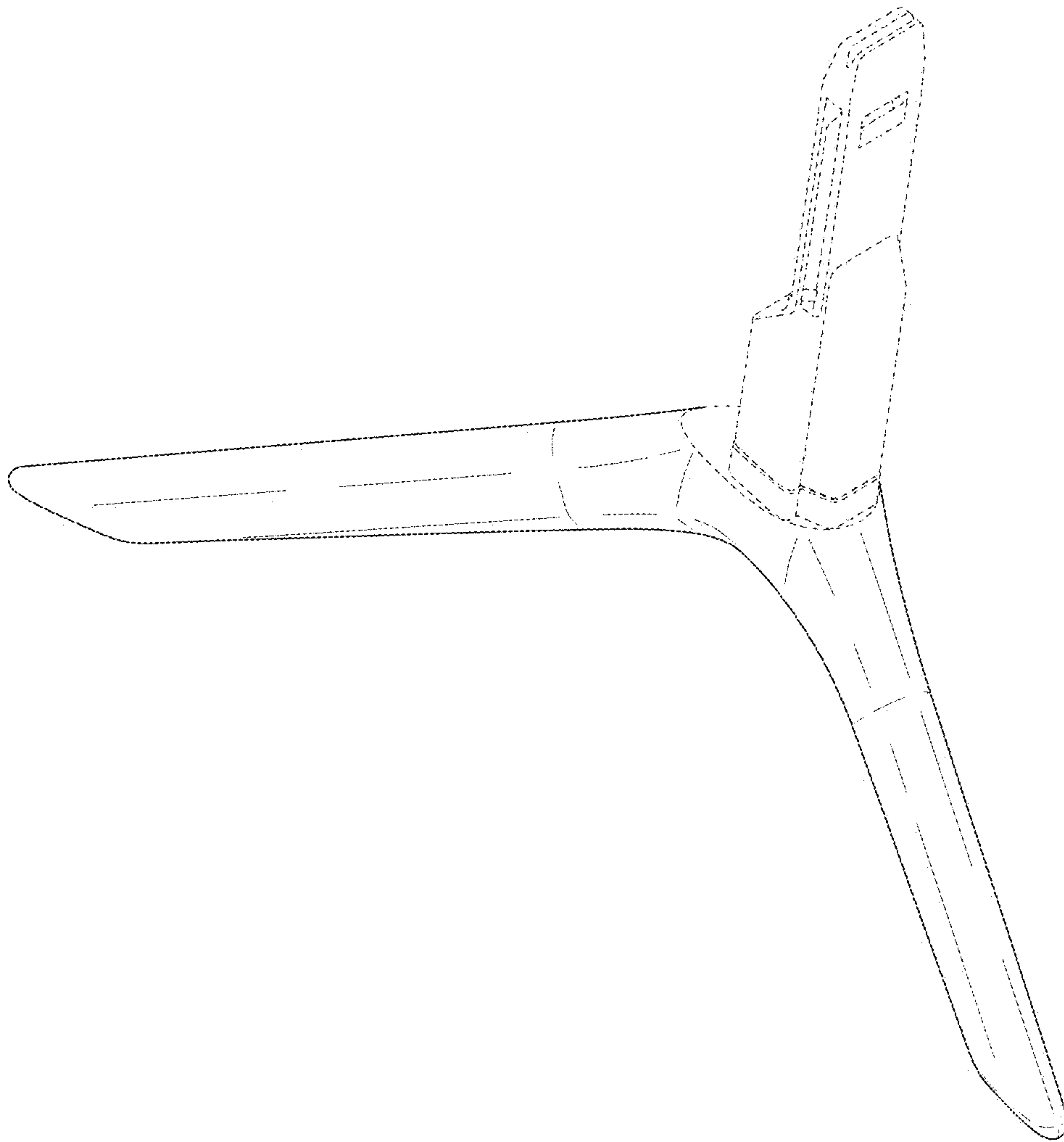


FIG. 18

