



US00D924857S

(12) **United States Design Patent** (10) **Patent No.:** **US D924,857 S**
Lyu (45) **Date of Patent:** **** Jul. 13, 2021**

(54) **MONITOR STAND**

FOREIGN PATENT DOCUMENTS

(71) Applicant: **Yaqi Lyu**, Shenzhen (CN)

CN 306106175 * 10/2020
CN 306118737 * 10/2020

(72) Inventor: **Yaqi Lyu**, Shenzhen (CN)

OTHER PUBLICATIONS

(**) Term: **15 Years**

(21) Appl. No.: **29/709,981**

(22) Filed: **Oct. 18, 2019**

(51) **LOC (13) Cl.** **14-03**

(52) **U.S. Cl.**

USPC **D14/239**

(58) **Field of Classification Search**

USPC D14/239, 371, 372, 373, 374, 447-452,
D14/125, 127, 128, 129, 335-337, 375,
D14/376, 377, 341, 126; D8/355, 363,
D8/373; D6/672, 682

CPC F16M 11/2085; F16M 11/2092; F16M
11/2007; F16M 11/2014; F16M 11/2021;
F16M 11/105; F16M 11/10; F16M
11/048; F16M 11/12; F16M 13/022

See application file for complete search history.

Amazon. Link: https://www.amazon.com/dp/B07T72QG3K/ref=cm_sw_em_r_mt_dp_ILTTFbEFVA068. Jun. 17, 2019. PERLESMITH Universal Swivel TV Stand / Base—Table Top TV. (Year: 2019).*

Amazon. Link : https://www.amazon.com/dp/B07W678N_1S/ref=cm_sw_em_r_mt_dp_PoYTFb4KRRK2H5?_encoding=UTF8&psc=1. Aug. 5, 2019. Rentliv Wooden Base Universal TV Stand. (Year: 2019).*

Amazon. Link: https://www.amazon.com/dp/B07TK2KWVJ/ref=cm_sw_em_r_mt_dp_WmYTFbFQZBNZB?_encoding=UTF8&psc=1. Jun. 25, 2019. PERLESMITH Swivel Universal TV Stand / Base. (Year: 2019).*

* cited by examiner

Primary Examiner — Lauren D McVey

(57) **CLAIM**

The ornamental design for a monitor stand, as shown and described.

DESCRIPTION

(56) **References Cited**

U.S. PATENT DOCUMENTS

D603,412 S	*	11/2009	Wills	D14/451
D615,072 S	*	5/2010	Saitou	D14/239
D644,854 S		9/2011	Sexton		
D782,491 S	*	3/2017	Cutler	D14/447
D784,999 S	*	4/2017	Cutler	D14/447
D836,091 S	*	12/2018	Shu	D14/239
D852,174 S		6/2019	Pei		
D852,789 S	*	7/2019	Pei	D14/239
D853,403 S	*	7/2019	Lyu	D14/451
D873,253 S	*	1/2020	Ahrens	D14/239
D874,449 S	*	2/2020	Ahrens	D14/239
D877,743 S	*	3/2020	Pei	D14/451
D891,827 S	*	8/2020	Haller	D6/672
2019/0203873 A1	*	7/2019	Pei	F16M 11/126

FIG. 1 is a perspective view of a monitor stand showing my new design;

FIG. 2 is a front elevational view of FIG. 1;

FIG. 3 is a rear elevational view thereof;

FIG. 4 is a left side elevational view thereof;

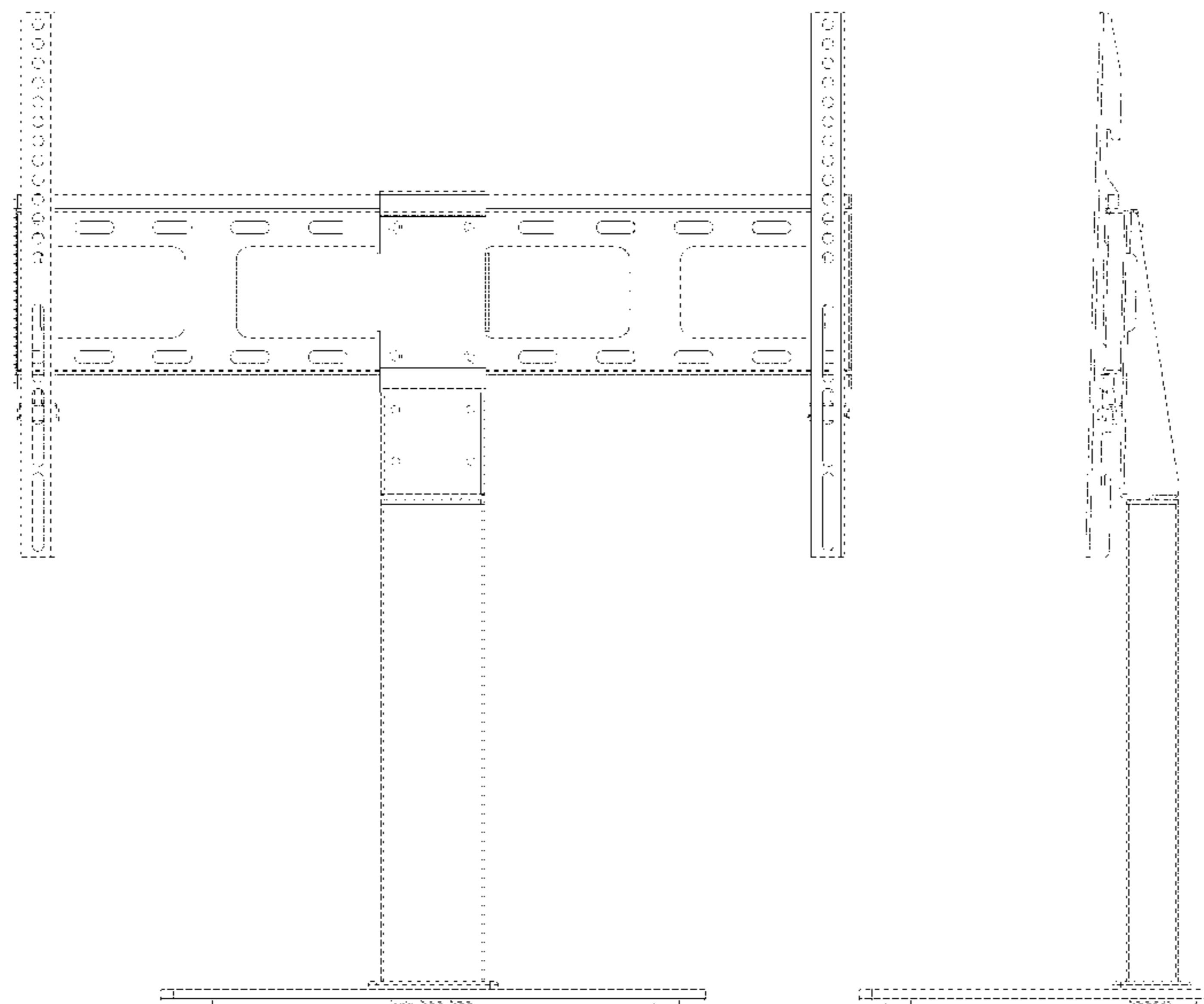
FIG. 5 is a right side elevational view thereof;

FIG. 6 is a top plan view thereof; and,

FIG. 7 is a bottom plan view thereof.

The broken lines immediately adjacent to the claim depict the bounds of the claimed design, while all other broken lines are directed to environment. The broken lines form no part of the claimed design. The wire frame lines shown throughout the views indicate surface contour.

1 Claim, 7 Drawing Sheets



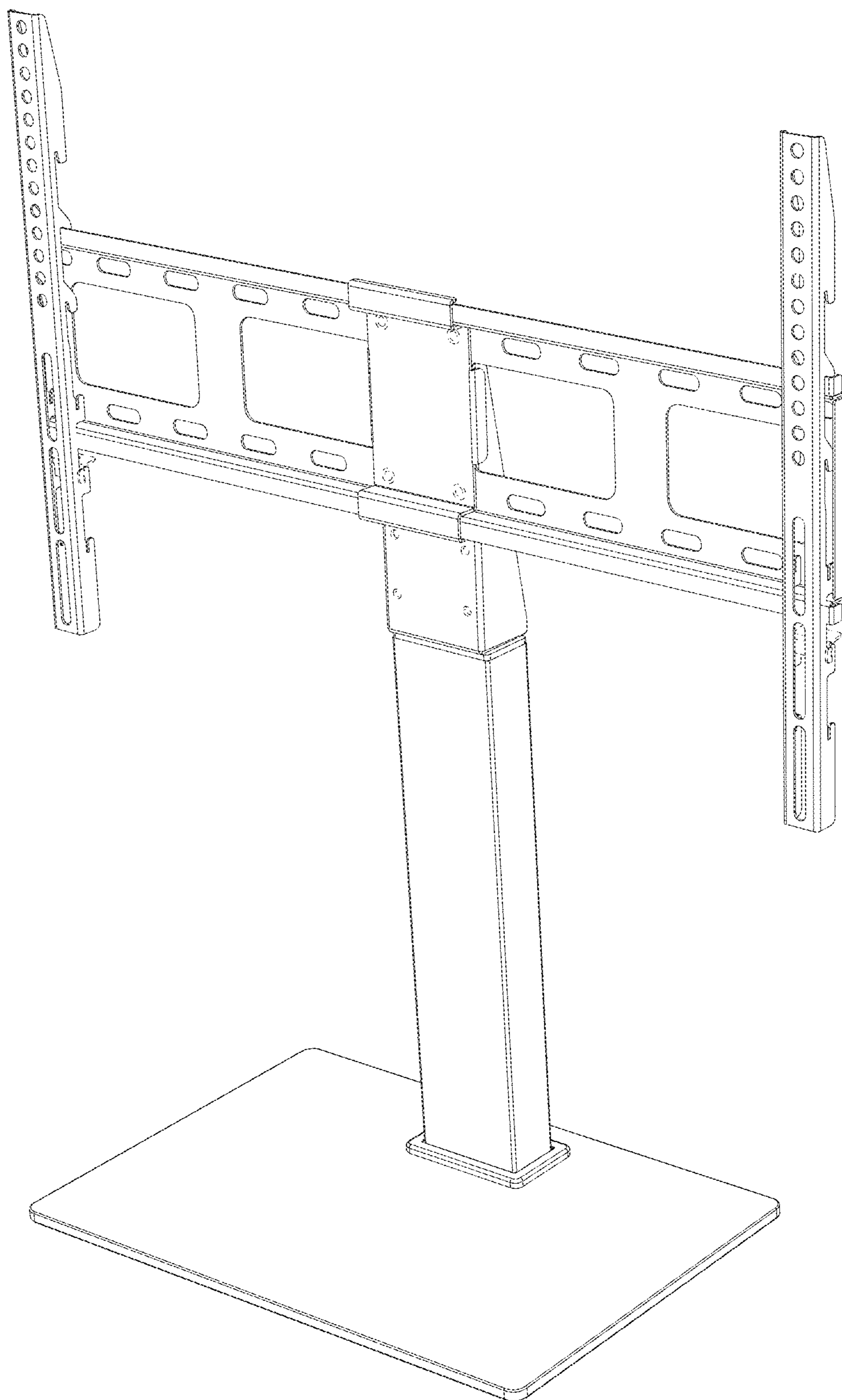


FIG. 1

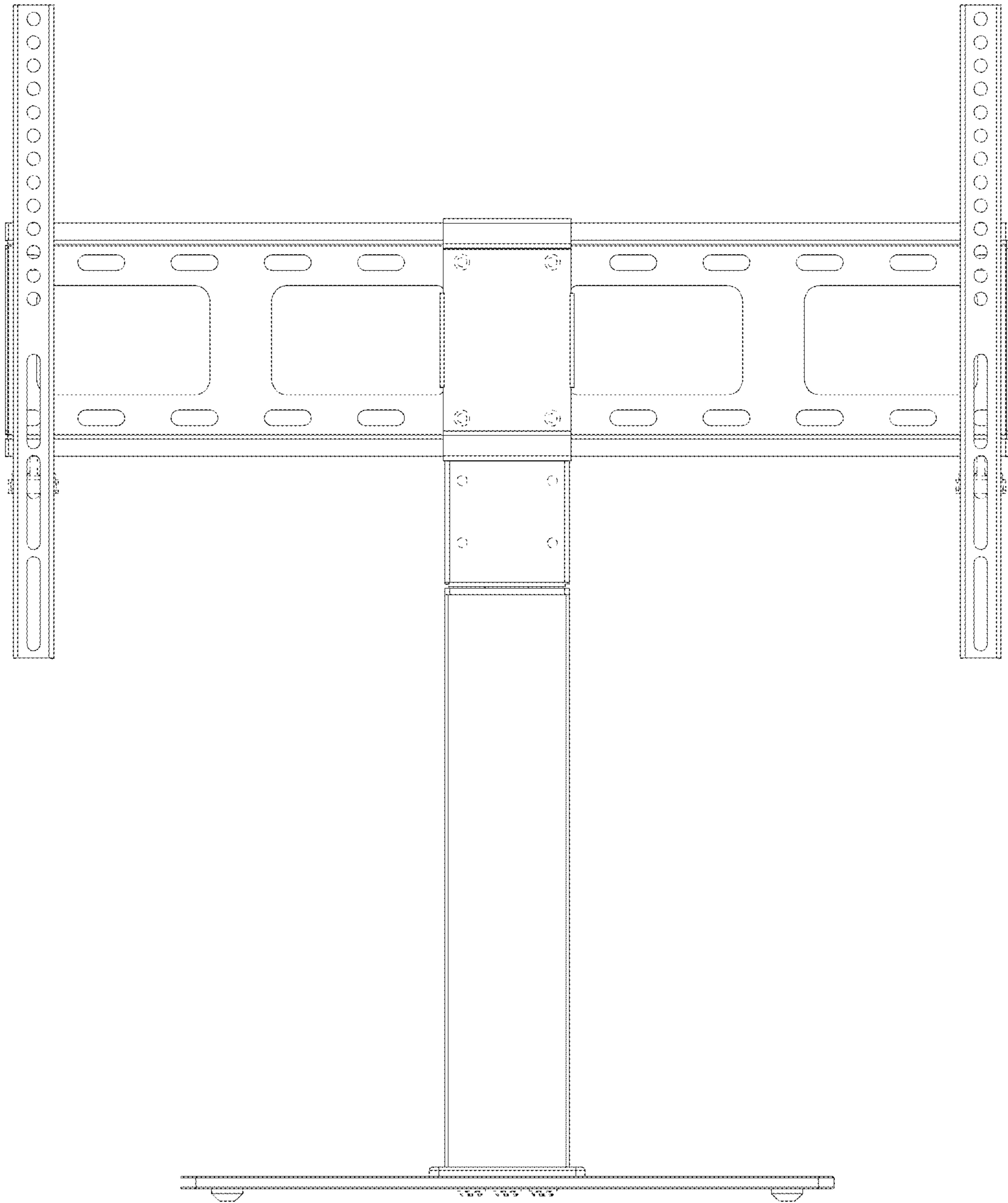


FIG. 2

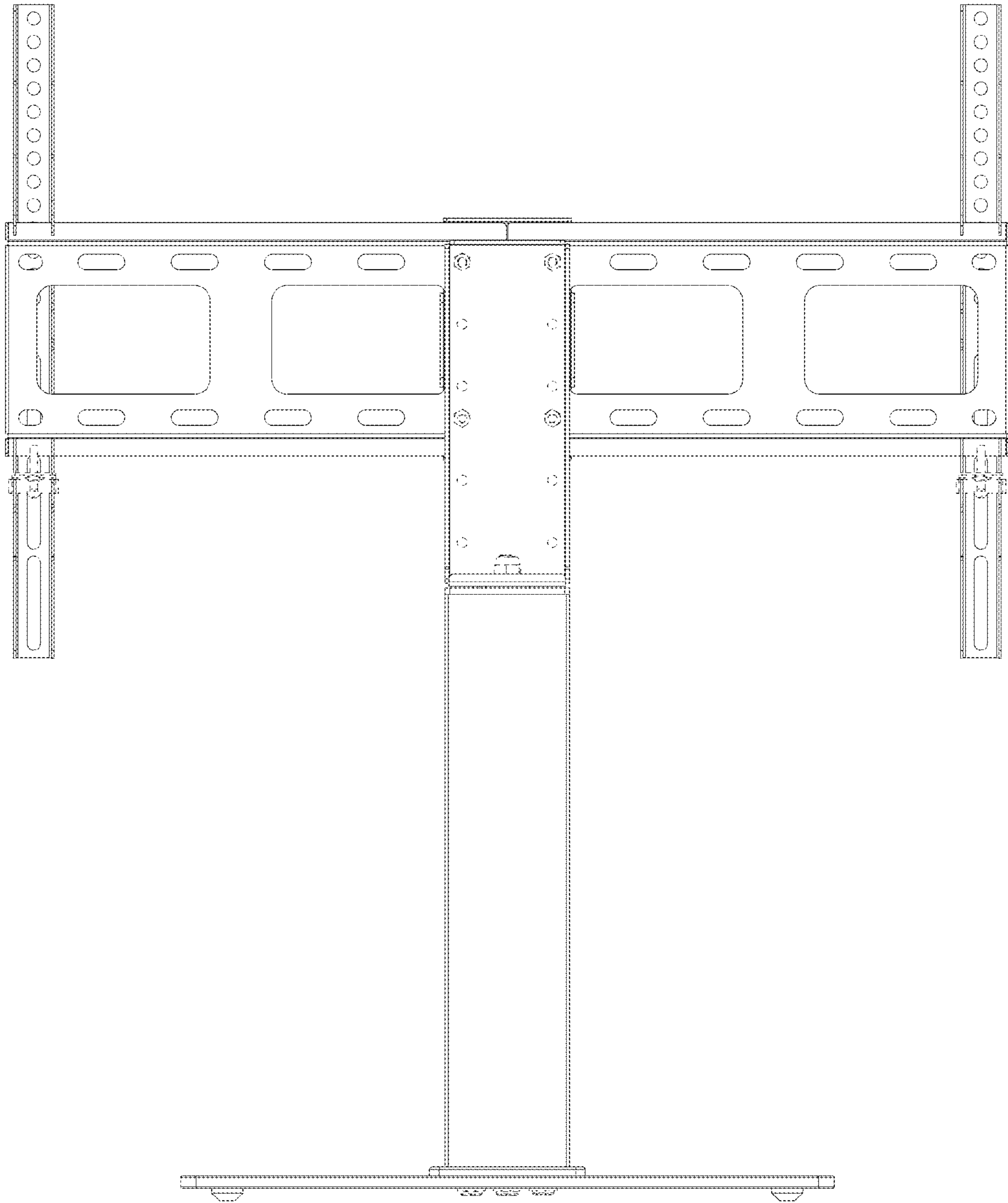


FIG. 3

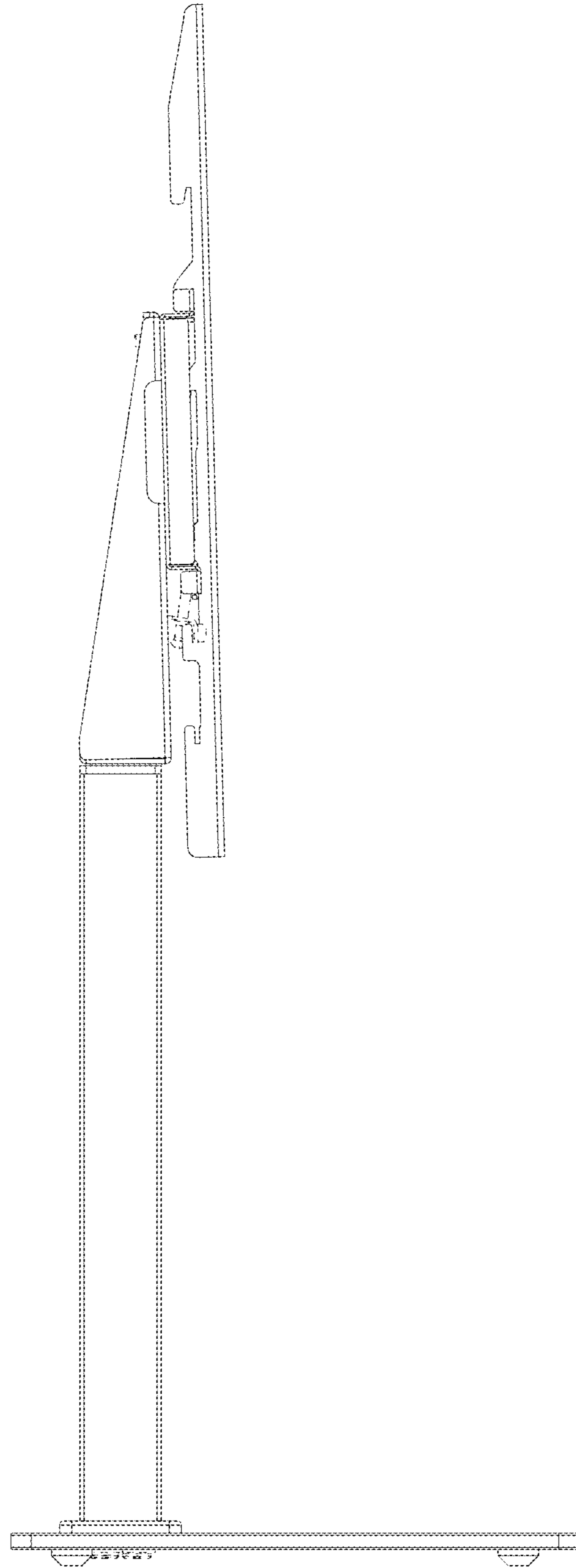


FIG. 4

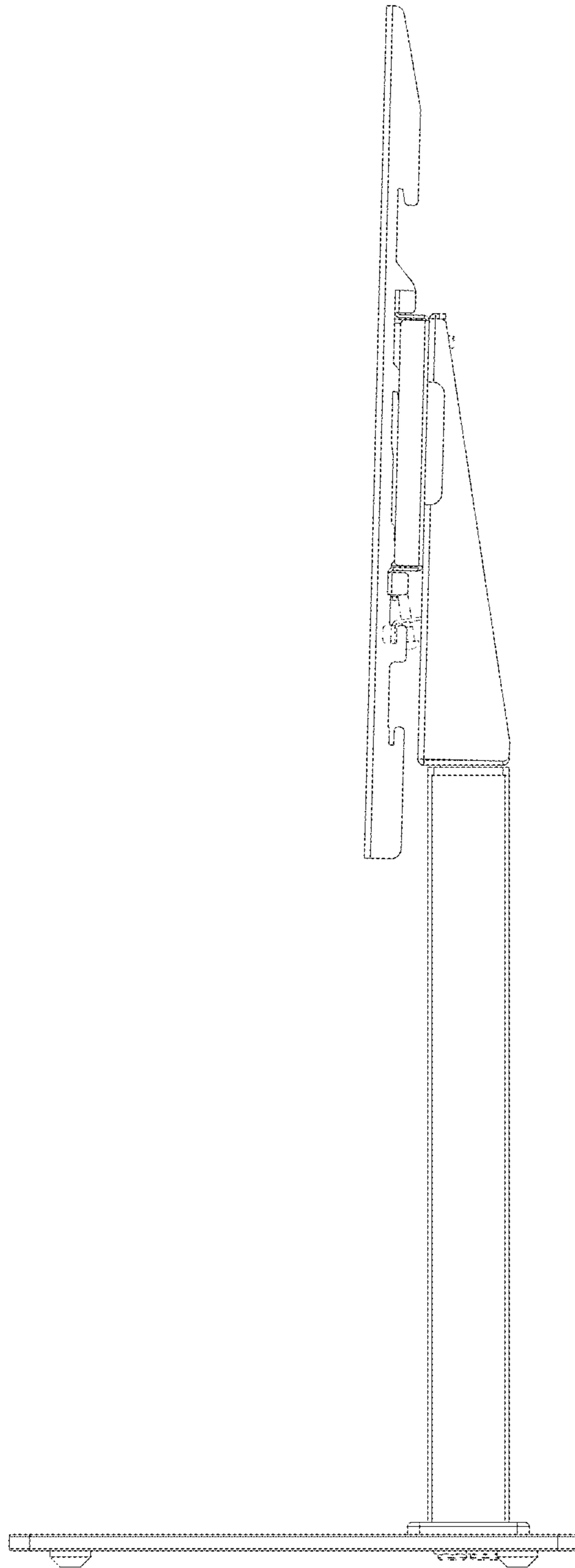


FIG. 5

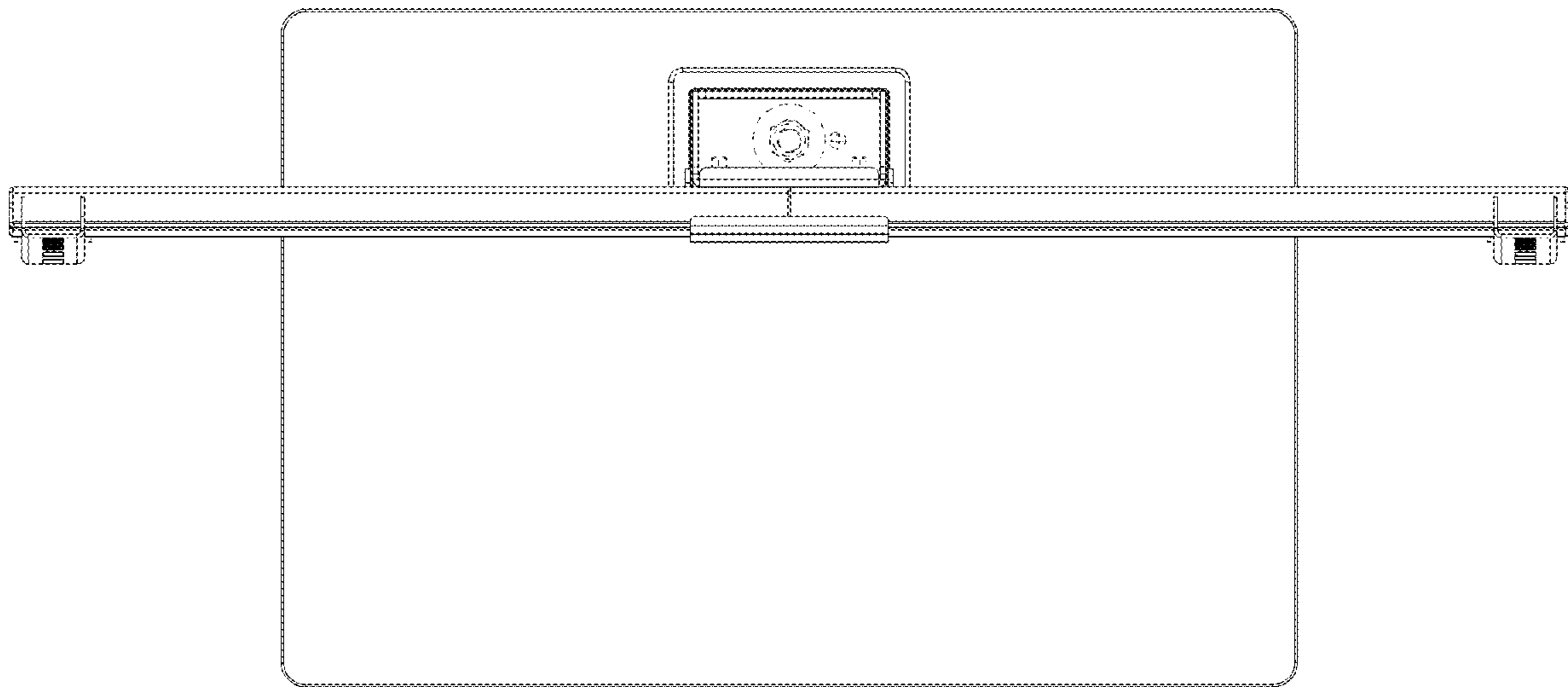


FIG. 6

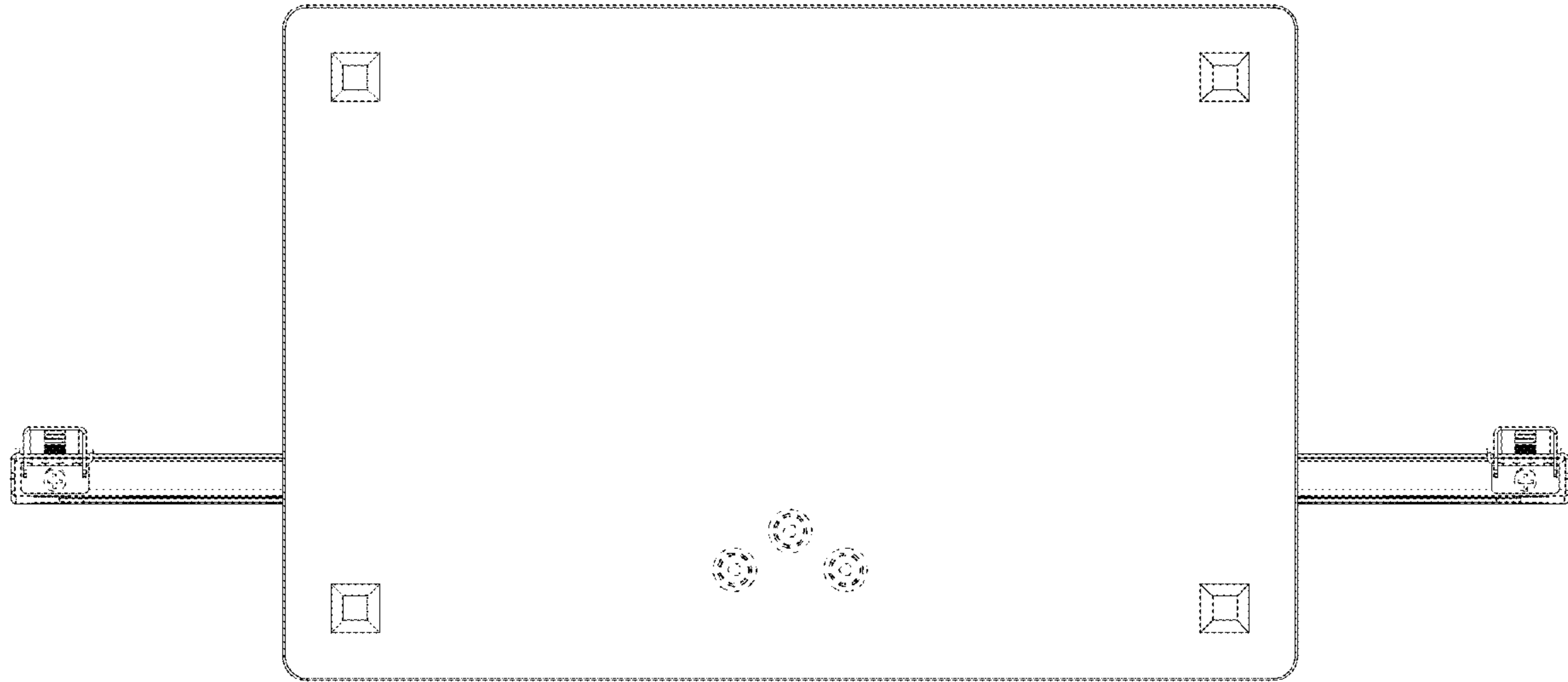


FIG. 7