



US00D924852S

(12) **United States Design Patent**  
**Liu**

(10) **Patent No.:** **US D924,852 S**

(45) **Date of Patent:** **\*\* Jul. 13, 2021**

(54) **EARPHONES**

(71) Applicant: **SHENZHEN SHENGYUANSHENG TECHNOLOGY CO., LTD.**, Shenzhen (CN)

(72) Inventor: **Peijun Liu**, Shenzhen (CN)

(73) Assignee: **SHENZHEN SHENGYUANSHENG TECHNOLOGY CO., LTD.**, Shenzhen (CN)

(\*\*) Term: **15 Years**

(21) Appl. No.: **29/765,777**

(22) Filed: **Jan. 12, 2021**

(51) **LOC (13) Cl.** ..... **14-01**

(52) **U.S. Cl.**  
USPC ..... **D14/223**

(58) **Field of Classification Search**  
USPC ..... D14/223, 205; D24/174; 128/864, 865, 128/866; 381/380, 381, 322, 328; 455/90.3, 575.1, 569.1  
CPC ..... H04R 1/10; H04R 25/00; H04R 1/1066; H04R 1/1016; H04R 5/033; H04R 5/0335; H04R 1/1058; H04R 1/1083; H04R 1/1091  
See application file for complete search history.

(56) **References Cited**

**U.S. PATENT DOCUMENTS**

D430,146 S	*	8/2000	Lin	.....	D14/223
D487,077 S	*	2/2004	Obata	.....	D14/223
D499,497 S	*	12/2004	Hou	.....	D26/28
D533,868 S	*	12/2006	Koizumi	.....	D14/223
D554,109 S	*	10/2007	Ledbetter	.....	D14/223
D555,152 S	*	11/2007	Wang	.....	D14/223
D556,741 S	*	12/2007	Yeo	.....	D14/205
D557,689 S	*	12/2007	Huang	.....	D14/223
D572,242 S	*	7/2008	Yang	.....	D14/205
D572,247 S	*	7/2008	Andre	.....	D14/315

D573,977 S	*	7/2008	Ledbetter	.....	D14/205
D575,269 S	*	8/2008	Ledbetter	.....	D14/205
D578,518 S	*	10/2008	Ewert	.....	D14/223
D587,685 S	*	3/2009	Densho	.....	D14/206
D589,493 S	*	3/2009	Densho	.....	D14/206
D589,498 S	*	3/2009	Komiyama	.....	D14/223
D590,371 S	*	4/2009	Leinvuo	.....	D14/205
D593,537 S	*	6/2009	Arimoto	.....	D14/205
D641,738 S	*	7/2011	Perez	.....	D14/223
D652,823 S	*	1/2012	Chen	.....	H04R 1/1016 D14/223
D657,780 S	*	4/2012	Dahlberg	.....	D14/223

(Continued)

**FOREIGN PATENT DOCUMENTS**

EM	008470512-0001	*	3/2021
EM	008533988-0001	*	5/2021
GB	9008320691-0001	*	12/2020

*Primary Examiner* — Paula Allen Greene

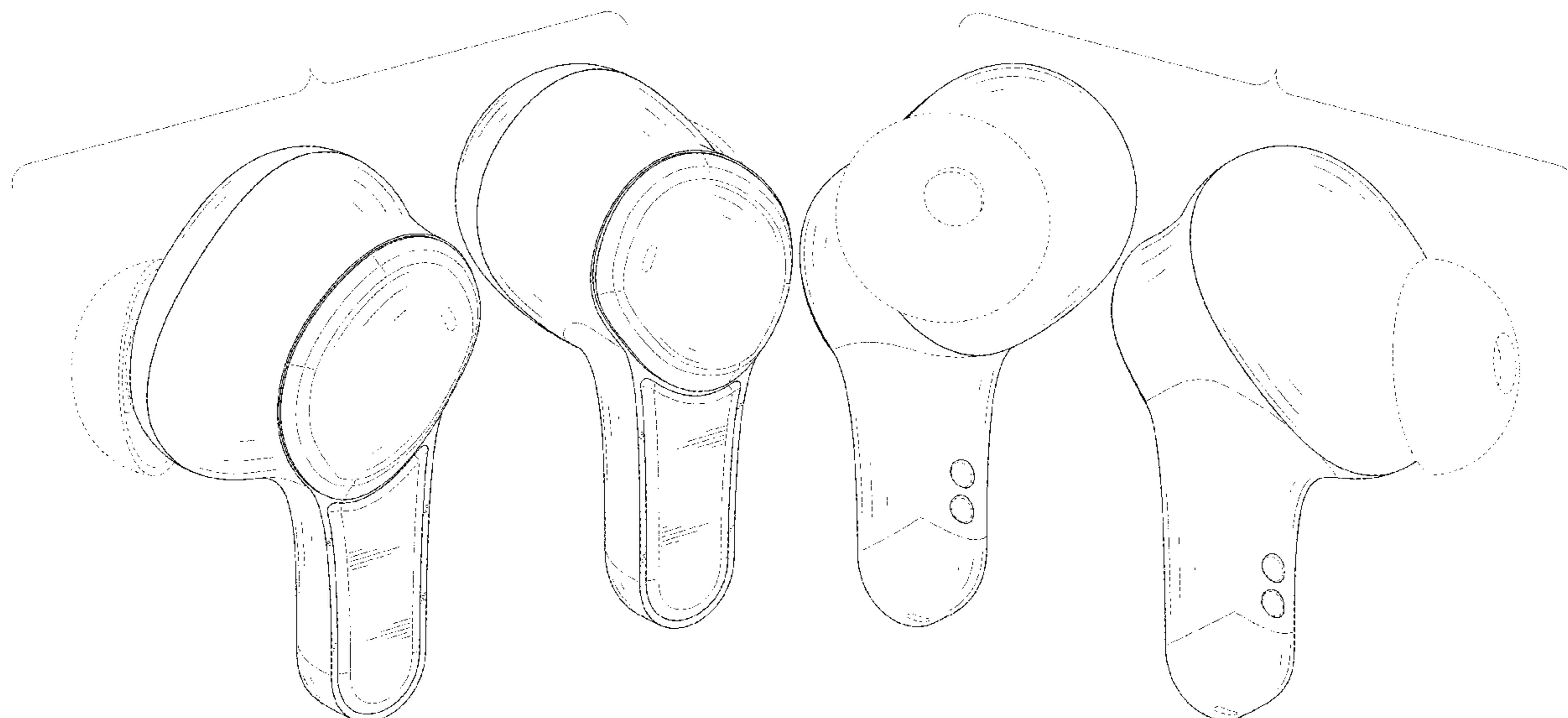
(57) **CLAIM**

The ornamental design for earphones, as shown and described.

**DESCRIPTION**

FIG. 1 is a perspective view of earphones showing my new design;  
FIG. 2 is another perspective view thereof;  
FIG. 3 is a front elevational view thereof;  
FIG. 4 is a rear elevational view thereof;  
FIG. 5 is a left side elevational view thereof;  
FIG. 6 is a right side elevational view thereof;  
FIG. 7 is a top plan view thereof;  
FIG. 8 is a bottom plan view thereof; and,  
FIG. 9 is a perspective view of the earphones where the earphones are received in the case and the case is in an open position.  
The broken lines in the drawings depict portions of the earphones that form no part of the claimed design.

**1 Claim, 9 Drawing Sheets**



(56)

References Cited

U.S. PATENT DOCUMENTS

D660,290 S *	5/2012	Weedon	D14/223	D877,722 S *	3/2020	Yang	D14/223
D660,292 S *	5/2012	Rautiainen	D14/223	D878,337 S *	3/2020	Yang	D14/223
D662,493 S *	6/2012	Chen	D14/223	D882,553 S *	4/2020	Wu	D14/223
D666,581 S *	9/2012	Perez	D14/223	D883,260 S *	5/2020	Hu	D14/223
D671,531 S *	11/2012	Kim	D14/223	D883,960 S	5/2020	Du	
D681,015 S *	4/2013	Akana	H04R 1/10	D886,455 S *	6/2020	Williamson	D3/294
			D14/223	D887,396 S *	6/2020	Wang	D14/223
D695,721 S *	12/2013	Thompson	D14/223	D888,691 S *	6/2020	Liu	D14/223
D707,206 S *	6/2014	Akana	H04R 1/10	D889,436 S *	7/2020	Zhang	D14/223
			D14/223	D890,138 S *	7/2020	Peng	D14/223
D711,857 S *	8/2014	Burgett	D14/223	D890,724 S *	7/2020	Li	D14/223
D718,284 S *	11/2014	Shibusawa	D14/223	D893,462 S *	8/2020	Liu	D14/223
D730,876 S *	6/2015	Dahlberg	D14/223	D895,579 S *	9/2020	Yang	D14/223
D732,008 S *	6/2015	Akana	H04R 1/10	D896,207 S *	9/2020	He	D14/223
			D14/223	D901,456 S *	11/2020	Huang	D14/223
D733,101 S *	6/2015	Pi	D14/223	D905,017 S *	12/2020	Chen	D14/223
D733,689 S *	7/2015	Narita	D14/223	D905,018 S *	12/2020	Zhu	D14/223
D738,864 S *	9/2015	Lee	D14/223	D905,019 S *	12/2020	Liu	D14/223
D741,287 S *	10/2015	Harata	D14/205	D907,008 S *	1/2021	Yao	D14/223
D757,682 S *	5/2016	Perez	D14/205	D907,011 S *	1/2021	Liu	D14/223
D760,202 S *	6/2016	Hsieh	D14/223	D907,606 S *	1/2021	Lin	D14/223
D770,412 S *	11/2016	Son	D14/205	D908,114 S *	1/2021	Jung	D14/223
D784,962 S *	4/2017	Yang	D14/223	D910,600 S *	2/2021	Zhang	D14/223
D801,314 S *	10/2017	Akana	D14/223	D911,315 S *	2/2021	Hutchison	D14/223
D820,809 S *	6/2018	Akana	D14/205	D914,647 S *	3/2021	Yang	D14/223
D820,810 S *	6/2018	Levine	D14/205	D914,648 S *	3/2021	Zhou	D14/223
D822,009 S *	7/2018	Matoba	D14/223	D914,652 S *	3/2021	Chen	D14/223
D830,336 S *	10/2018	Cai	D14/205	D916,058 S *	4/2021	Wu	D14/223
D832,824 S *	11/2018	Kim	D14/223	D916,683 S *	4/2021	Yao	D14/223
D847,125 S *	4/2019	Akana	D14/223	D920,293 S *	5/2021	Chen	D14/223
D848,980 S *	5/2019	Kim	D14/223	2012/0237074 A1 *	9/2012	Aase	H04R 1/1075
D848,982 S *	5/2019	Kim	D14/223				381/380
D861,647 S *	10/2019	Chen	D14/223	2013/0343595 A1 *	12/2013	Zorkendorfer	H04R 1/1016
D869,445 S *	12/2019	Hu	D14/223				381/380
D875,713 S *	2/2020	Kim	D14/205	2015/0382100 A1 *	12/2015	Azmi	H04R 1/1016
							381/380
				2017/0164087 A1 *	6/2017	Kurtz	H04R 1/105
				2020/0382856 A1 *	12/2020	Liu	H04R 1/2826

\* cited by examiner

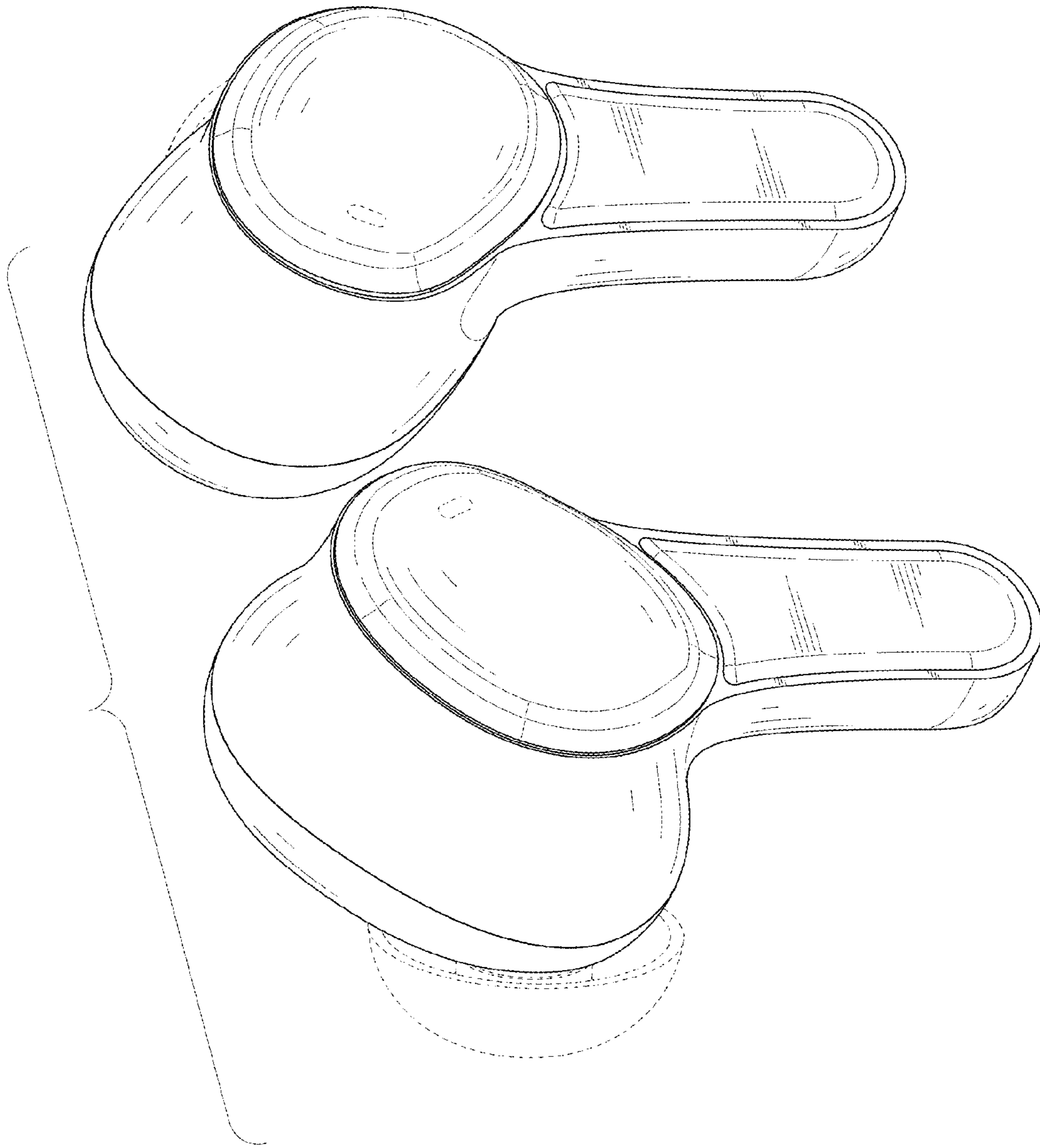


FIG. 1

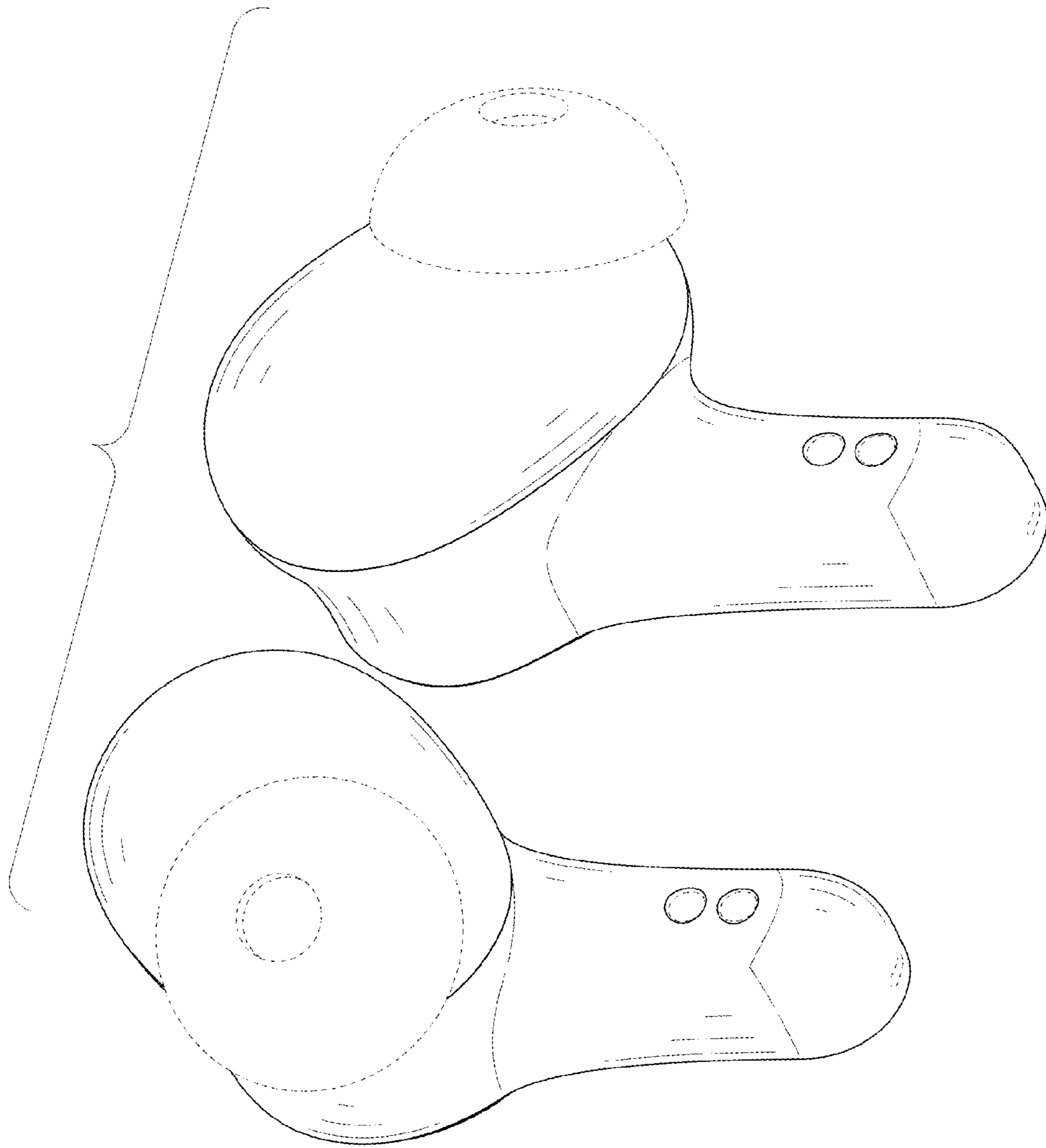


FIG. 2

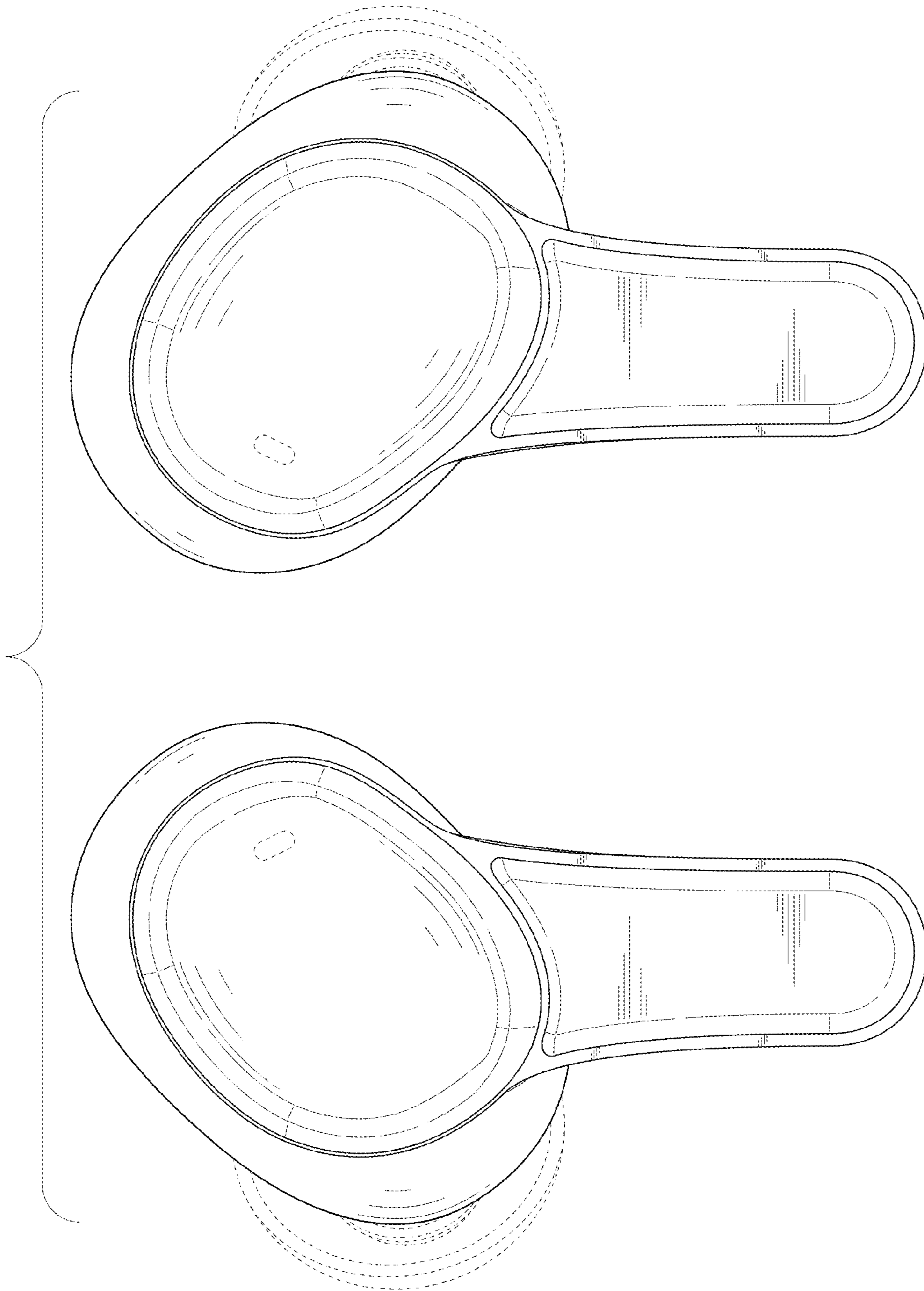


FIG. 3

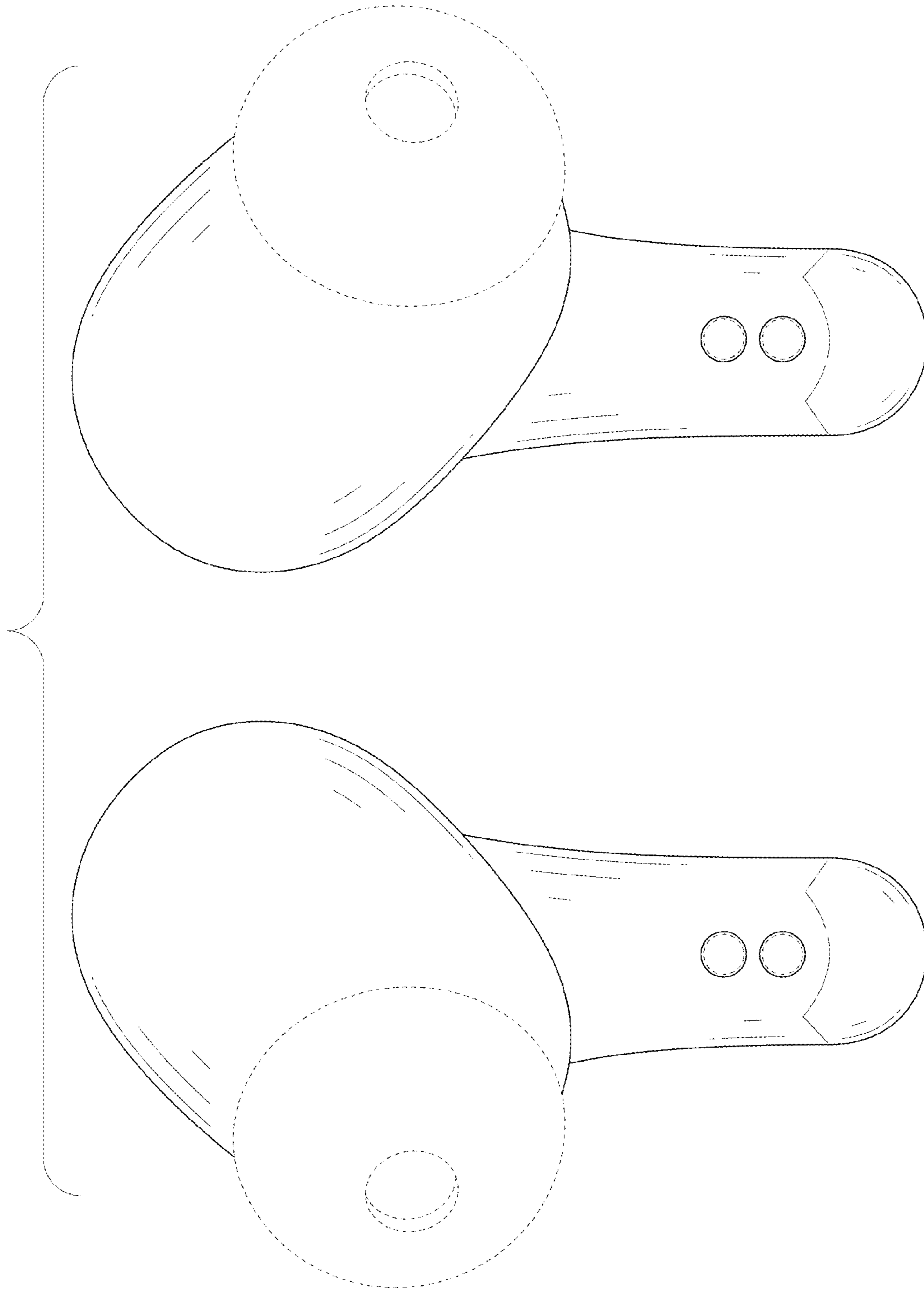


FIG. 4

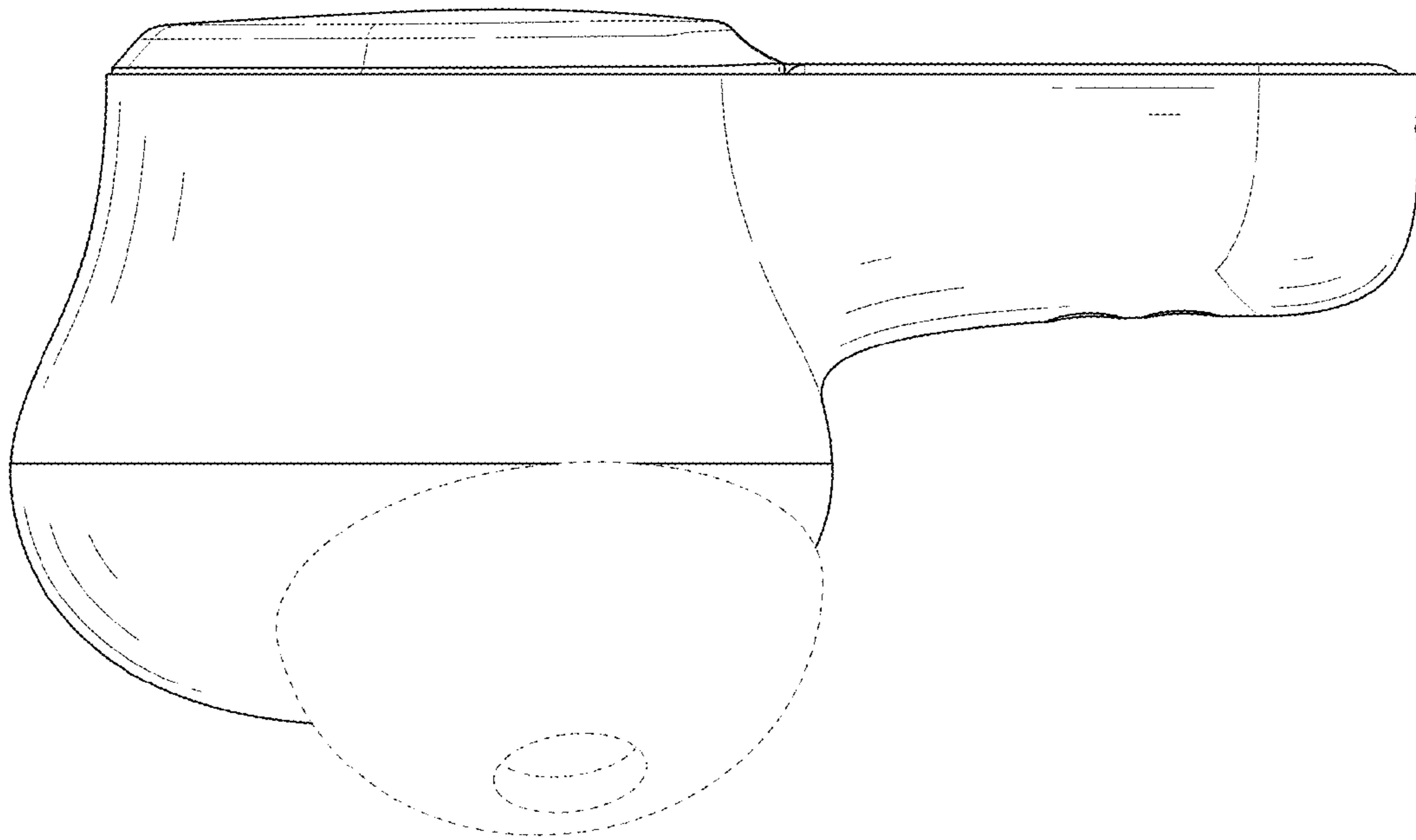


FIG. 5

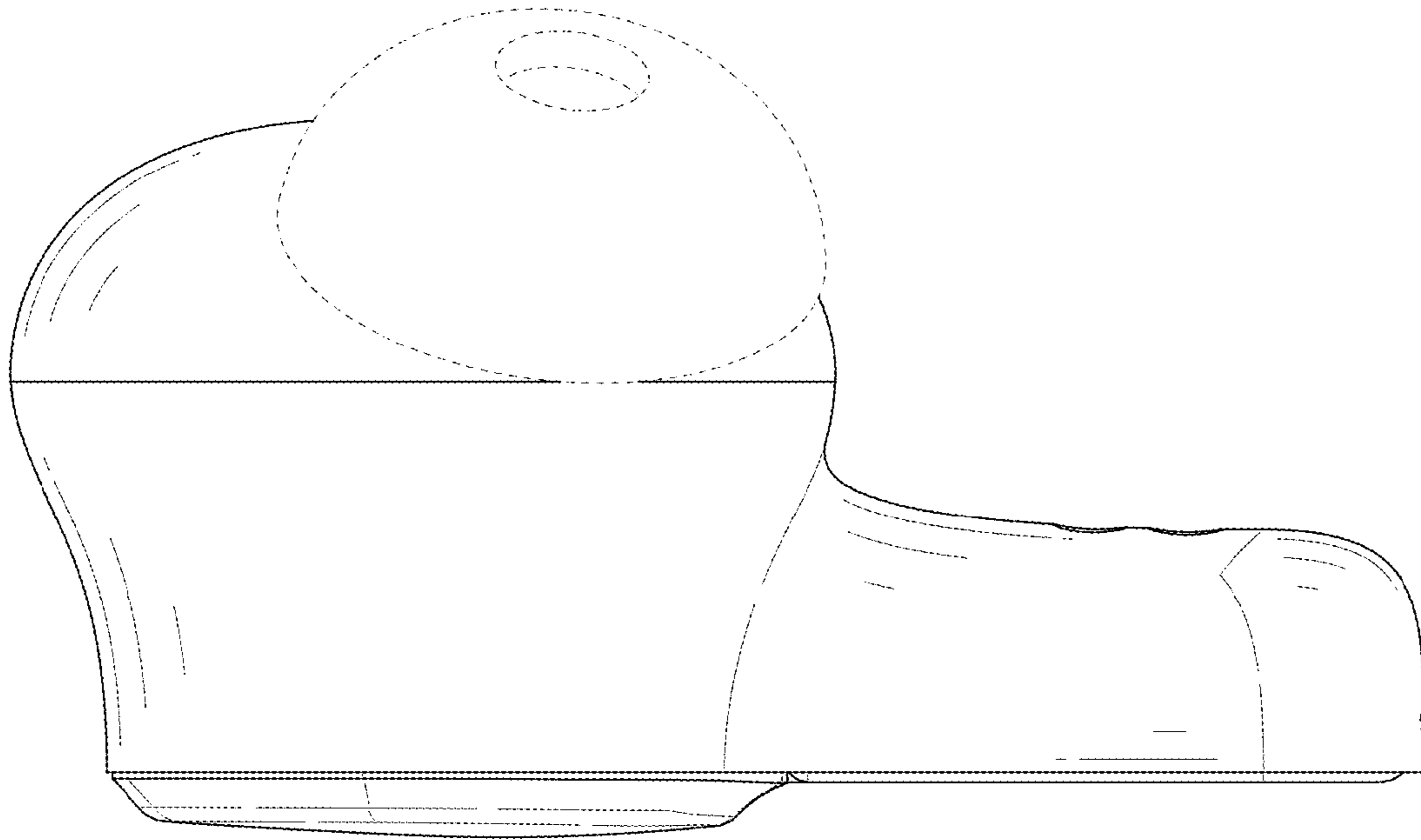


FIG. 6



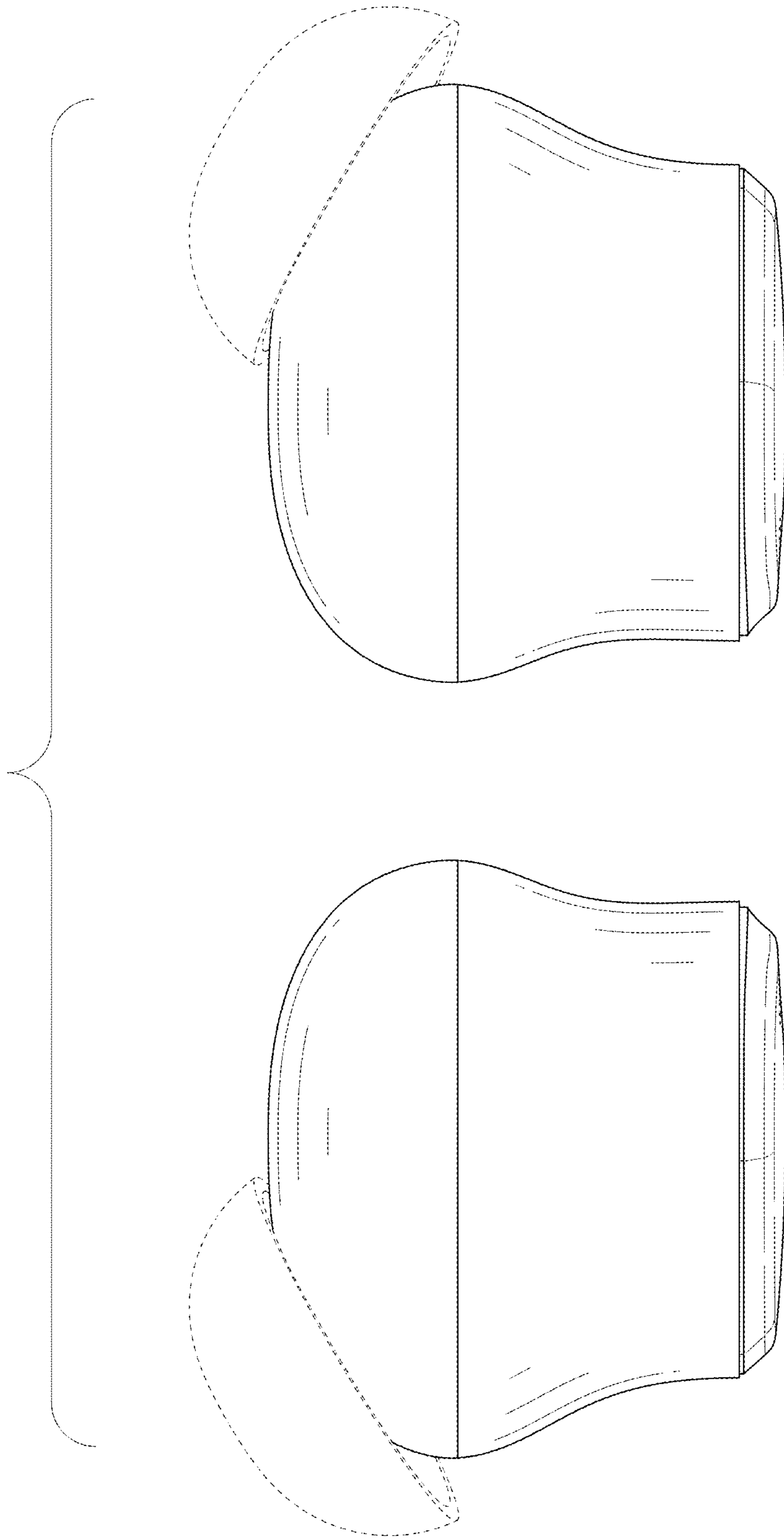


FIG. 7

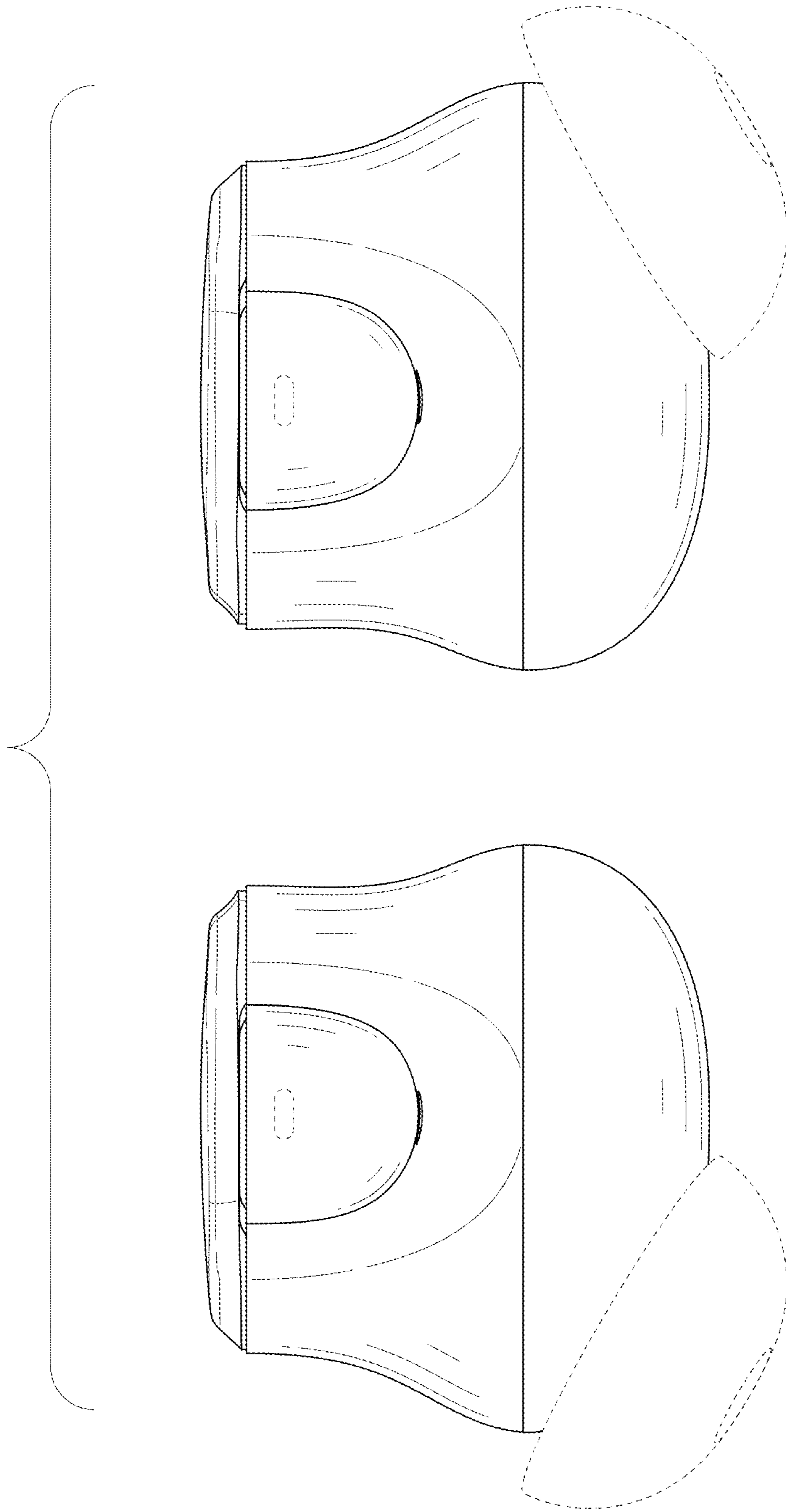


FIG. 8

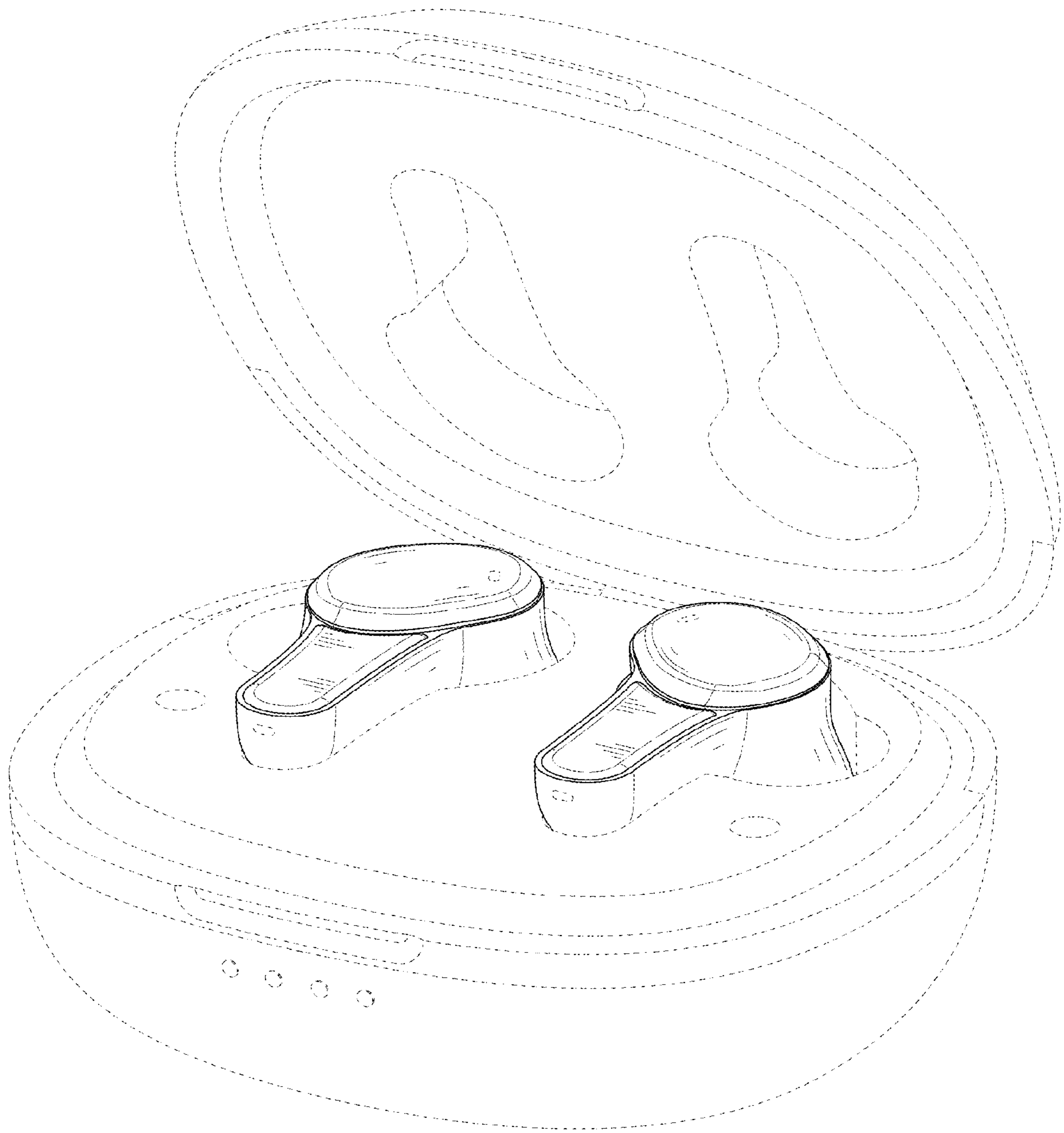


FIG. 9