



US00D924851S

(12) **United States Design Patent**
Li

(10) **Patent No.:** **US D924,851 S**
(45) **Date of Patent:** **** Jul. 13, 2021**

(54) **EARPHONES**

(71) Applicant: **SHENZHEN QIANHAI PATUOXUN NETWORK AND TECHNOLOGY CO., LTD**, Shenzhen (CN)

(72) Inventor: **Zewei Li**, Shenzhen (CN)

(73) Assignee: **SHENZHEN QIANHAI PATUOXUN NETWORK AND TECHNOLOGY CO., LTD**, Shenzhen (CN)

(**) Term: **15 Years**

(21) Appl. No.: **29/752,493**

(22) Filed: **Sep. 28, 2020**

(51) **LOC (13) Cl.** **14-01**

(52) **U.S. Cl.**
USPC **D14/223**

(58) **Field of Classification Search**
USPC D14/223, 205; D24/174; 128/864, 865, 128/866; 381/380, 381, 322, 328; 455/90.3, 575.1, 569.3
CPC H04R 1/10; H04R 25/00; H04R 1/1066; H04R 1/1016; H04R 5/033; H04R 5/0335; H04R 1/1091; H04R 1/1058; H04R 1/1083

See application file for complete search history.

(56) **References Cited**

U.S. PATENT DOCUMENTS

1,406,510	A	*	2/1922	Weber	H04R 9/10 381/380
D316,550	S	*	4/1991	Sogabe	D14/168
D337,589	S	*	7/1993	Wada	D14/223
D340,932	S	*	11/1993	Yan	D14/249
D479,834	S	*	9/2003	Salazar	D14/205
D481,377	S	*	10/2003	Eguchi	D14/223
D499,397	S	*	12/2004	Hlas	D14/223
D512,049	S	*	11/2005	Yang	D14/205
D523,846	S	*	6/2006	Lee	D14/205
D533,868	S	*	12/2006	Koizumi	D14/223

D554,109	S	*	10/2007	Ledbetter	D14/223
D555,152	S	*	11/2007	Wang	D14/223
D556,741	S	*	12/2007	Yeo	D14/205

(Continued)

FOREIGN PATENT DOCUMENTS

EM	008188395-0001	*	9/2020
EM	008236798-0001	*	11/2020

(Continued)

OTHER PUBLICATIONS

Balhvit Touch Control Wireless Earbuds Headphones, HiFi Stereo 5.0 Bluetooth Headphones in Ear IPX6 Waterproof Wireless Earphones With Mic, 35H Playtime TWS Bluetooth Earphones With Fast Charging Case, retrieved from the internet May 28, 2021, <https://www.amazon.co.uk/Balhvit-Headphones-Bluetooth-Waterproof-Earphones-White/> . . . (Year: 2021).*

Primary Examiner — Paula Allen Greene

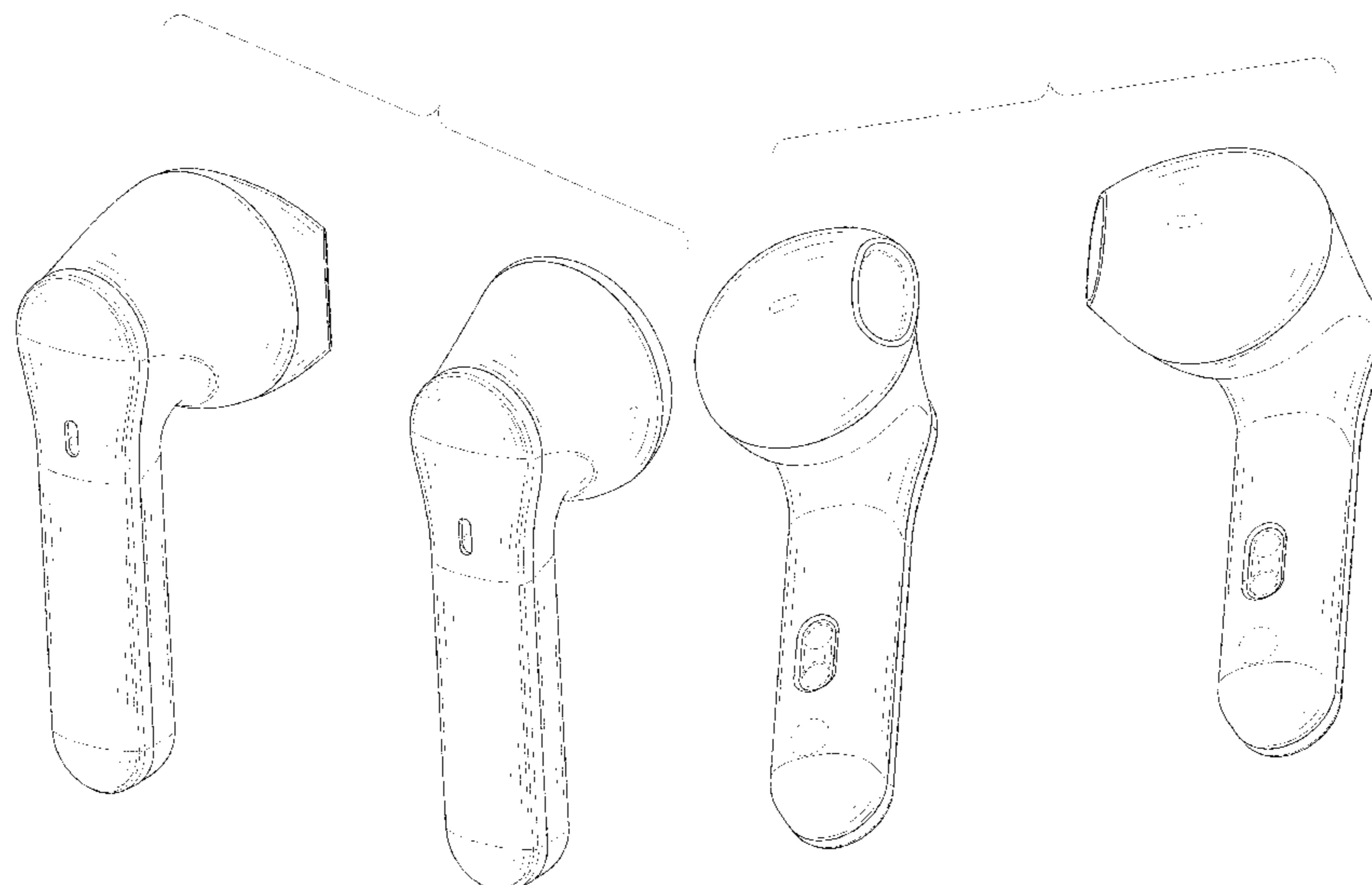
(57) **CLAIM**

The ornamental design for earphones, as shown and described.

DESCRIPTION

FIG. 1 is a perspective view of earphones showing my new design;
FIG. 2 is another perspective view thereof;
FIG. 3 is a front elevational view thereof;
FIG. 4 is a rear elevational view thereof;
FIG. 5 is a left side elevational view thereof;
FIG. 6 is a right side elevational view thereof;
FIG. 7 is a top plan view thereof;
FIG. 8 is a bottom plan view thereof; and,
FIG. 9 is a perspective view of the earphones where the earphones are received in a charging case.
The broken lines in the drawings depict environment of the earphones that form no part of the claimed design.

1 Claim, 9 Drawing Sheets



(56)

References Cited

U.S. PATENT DOCUMENTS

D557,689 S * 12/2007 Huang D14/223
 D566,687 S * 4/2008 Duarte D14/205
 D569,841 S * 5/2008 Chung D14/205
 D572,242 S * 7/2008 Yang D14/205
 D572,247 S * 7/2008 Andre D14/315
 D572,703 S * 7/2008 Ledbetter D14/205
 D573,977 S * 7/2008 Ledbetter D14/205
 D573,978 S * 7/2008 Ledbetter D14/205
 D575,269 S * 8/2008 Ledbetter D14/205
 D576,154 S * 9/2008 Ledbetter D14/223
 D578,518 S * 10/2008 Ewert D14/223
 D587,685 S * 3/2009 Densho D14/206
 D589,493 S * 3/2009 Densho D14/206
 D589,498 S * 3/2009 Komiyama D14/223
 D590,371 S * 4/2009 Leinvuo D14/205
 D593,537 S * 6/2009 Arimoto D14/205
 D599,778 S * 9/2009 Ando D14/205
 D623,171 S * 9/2010 Chen D14/223
 D641,738 S * 7/2011 Perez D14/223
 D652,823 S * 1/2012 Chen H04R 1/1016
 D657,780 S * 4/2012 Dahlberg D14/223
 D660,290 S * 5/2012 Weedon D14/223
 D660,292 S * 5/2012 Rautiainen D14/223
 D662,493 S * 6/2012 Chen D14/223
 D666,581 S * 9/2012 Perez D14/223
 D671,531 S * 11/2012 Kim D14/223
 D681,015 S * 4/2013 Akana H04R 1/10
 D695,721 S * 12/2013 Thompson D14/223
 D707,206 S * 6/2014 Akana H04R 1/10
 D711,857 S * 8/2014 Burgett D14/223
 D718,284 S * 11/2014 Shibusawa D14/223
 D730,876 S * 6/2015 Dahlberg D14/223
 D732,008 S * 6/2015 Akana H04R 1/10
 D733,101 S * 6/2015 Pi D14/223
 D733,689 S * 7/2015 Narita D14/223
 D738,864 S * 9/2015 Lee D14/223
 D741,287 S * 10/2015 Harata D14/205
 D757,682 S * 5/2016 Perez D14/205
 D760,202 S * 6/2016 Hsieh D14/223

D770,412 S * 11/2016 Son D14/205
 D775,108 S * 12/2016 Hsieh D14/223
 D784,962 S * 4/2017 Yang D14/223
 D801,314 S * 10/2017 Akana D14/223
 D820,809 S * 6/2018 Akana D14/205
 D822,009 S * 7/2018 Matoba D14/223
 D830,336 S * 10/2018 Cai D14/205
 D831,619 S * 10/2018 Matoba D14/223
 D832,824 S * 11/2018 Kim D14/223
 D847,125 S * 4/2019 Akana D14/223
 D847,794 S * 5/2019 Guo D14/223
 D848,979 S * 5/2019 Kim D14/223
 D848,980 S * 5/2019 Kim D14/223
 D848,982 S * 5/2019 Kim D14/223
 D848,983 S * 5/2019 Kim D14/223
 D861,647 S * 10/2019 Chen D14/223
 D863,260 S * 10/2019 Zheng D14/223
 D864,165 S * 10/2019 Roberts D14/223
 D864,919 S * 10/2019 Bonahoom D14/223
 D869,445 S * 12/2019 Hu D14/223
 D872,711 S * 1/2020 Hu D14/223
 D878,337 S * 3/2020 Yang D14/223
 D882,553 S * 4/2020 Wu D14/223
 D883,260 S * 5/2020 Hu D14/223
 D883,960 S * 5/2020 Du D14/223
 D887,396 S * 6/2020 Wang D14/223
 D890,138 S * 7/2020 Peng D14/223
 D893,462 S * 8/2020 Liu D14/223
 D896,206 S * 9/2020 Xu D14/223
 D900,065 S * 10/2020 Distefano D14/223
 D903,639 S * 12/2020 Yang D14/223
 D905,018 S * 12/2020 Zhu D14/223
 10,887,681 B1 * 1/2021 Wen H04R 1/1016
 D913,223 S * 3/2021 Li D13/108
 D918,179 S * 5/2021 Zhao D14/223
 D920,291 S * 5/2021 Hou D14/223
 2018/0167713 A1 * 6/2018 Chou H04R 1/1075
 2020/0252715 A1 * 8/2020 Zhou H04R 1/1041
 2021/0120328 A1 * 4/2021 Hedh H04R 1/028

FOREIGN PATENT DOCUMENTS

EM 008370944-0001 * 12/2020
 EM 008450167-0002 * 3/2021
 EM 008536924-0001 * 5/2021

* cited by examiner



FIG. 1

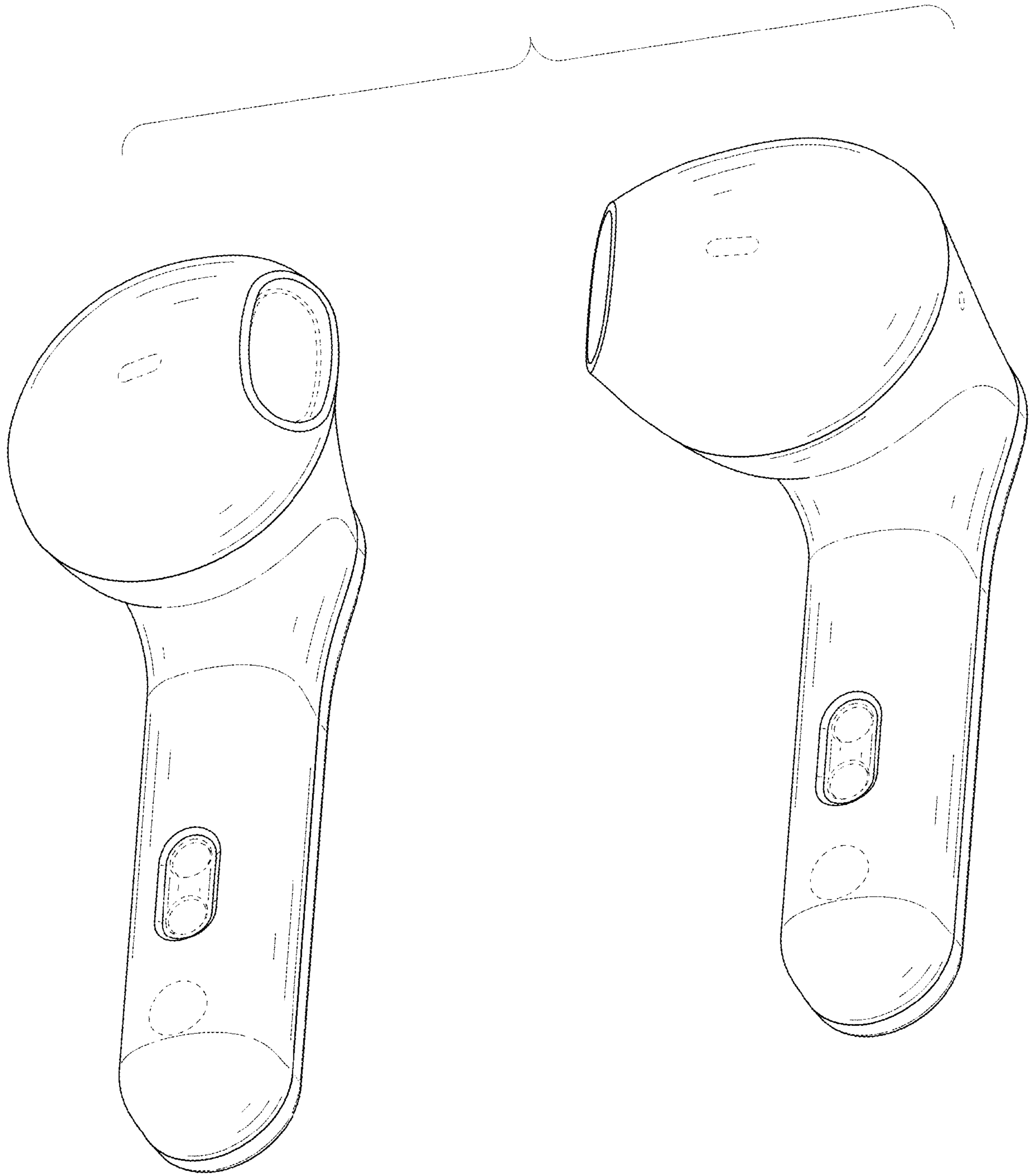


FIG. 2

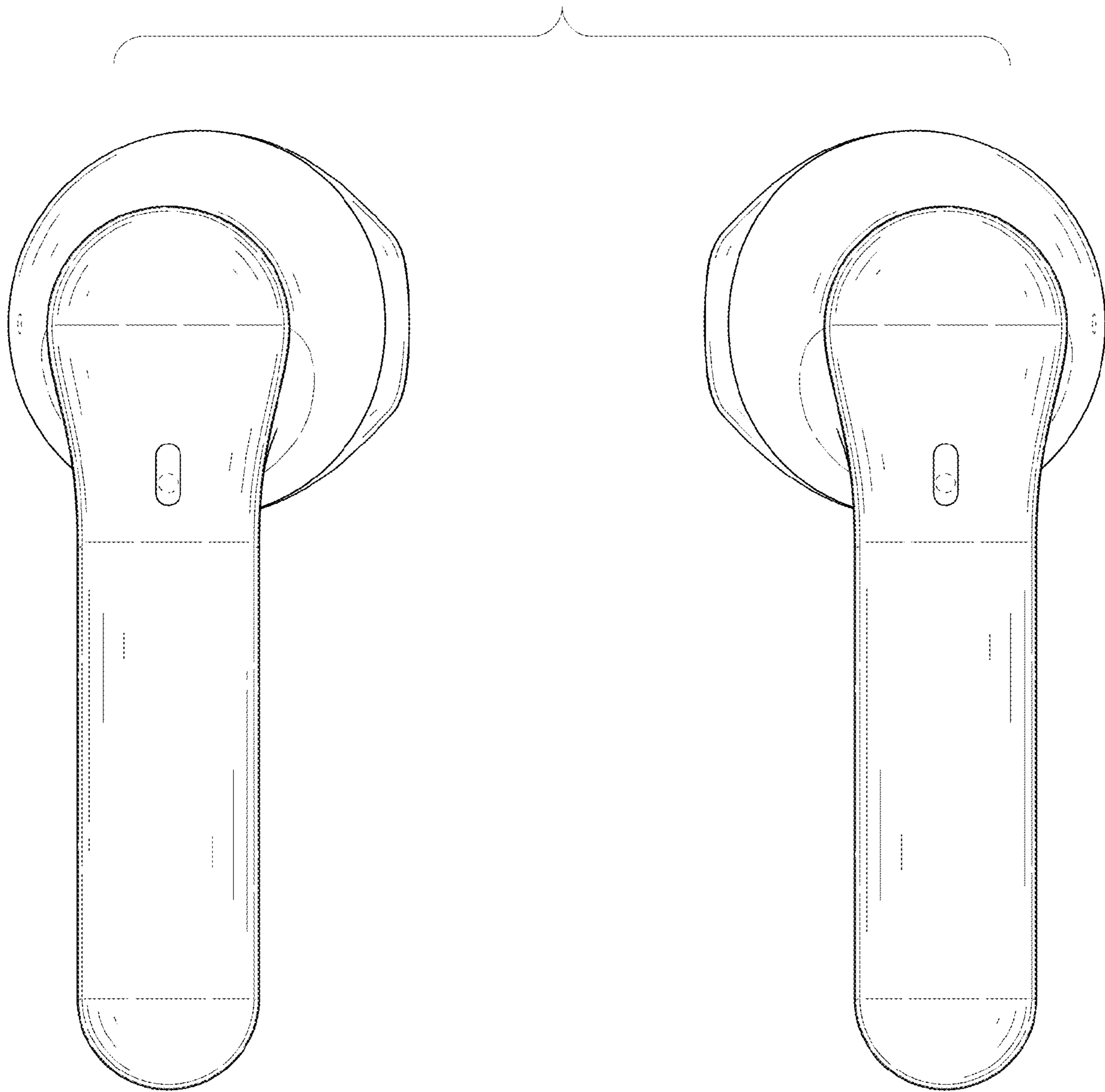


FIG. 3

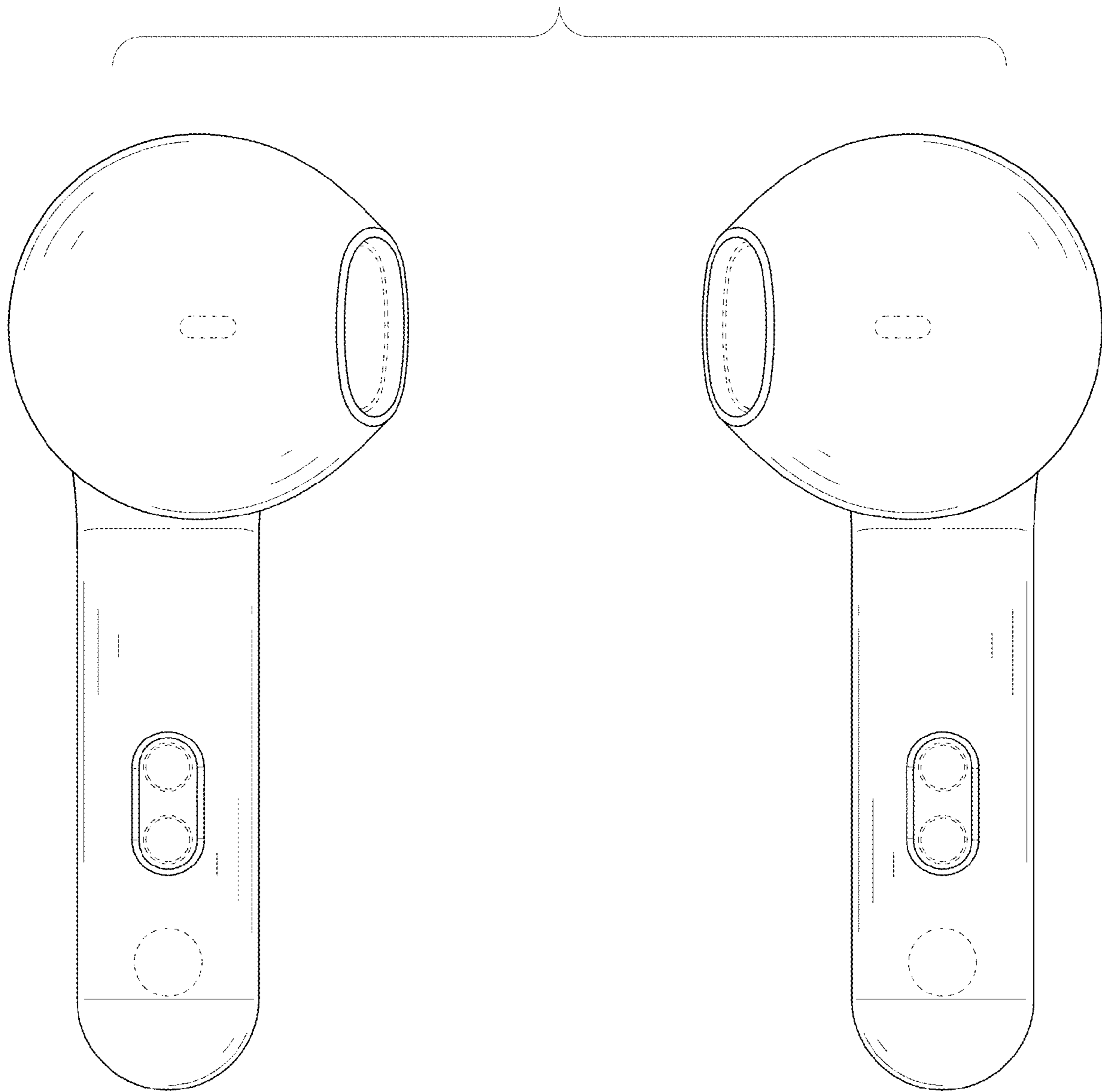


FIG. 4

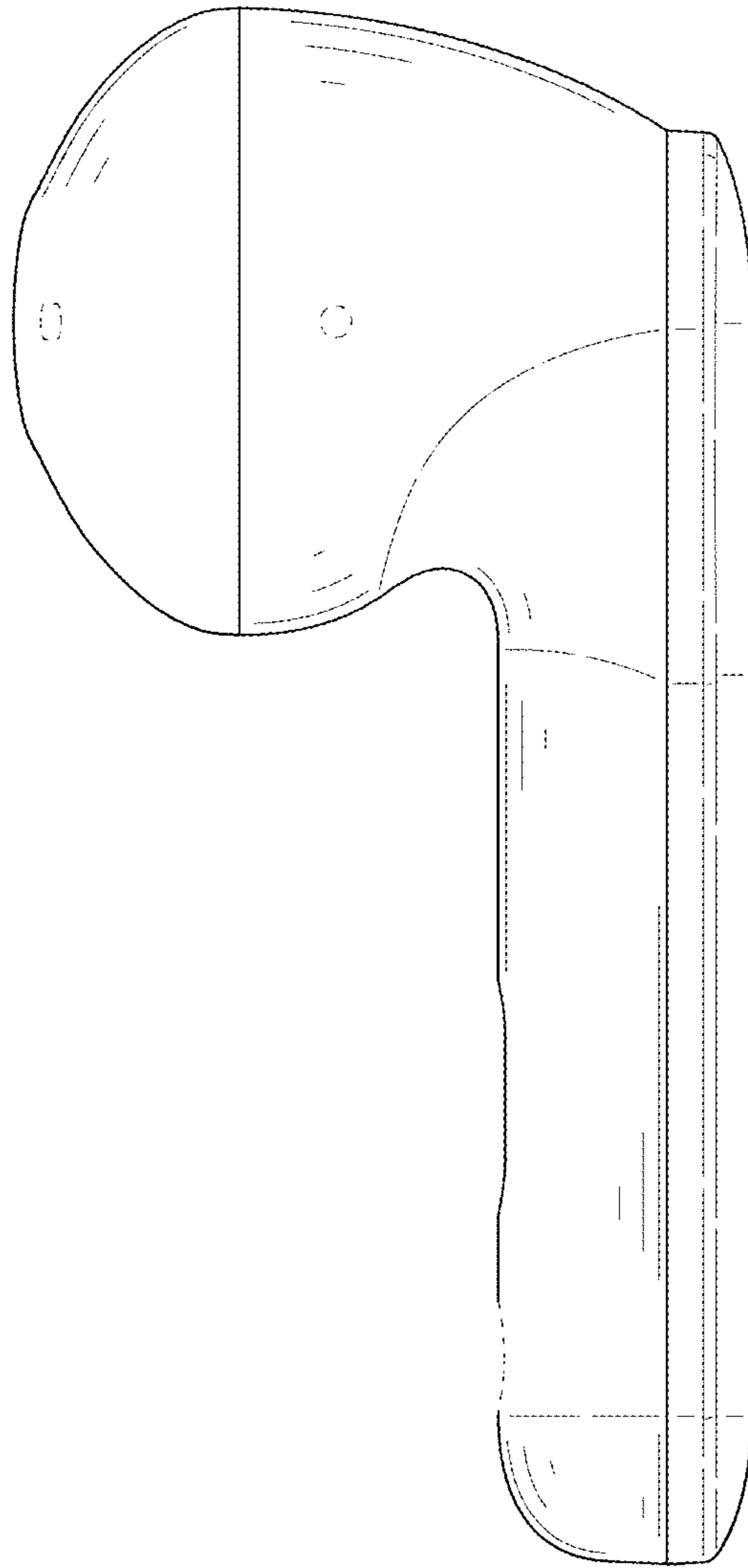


FIG. 5

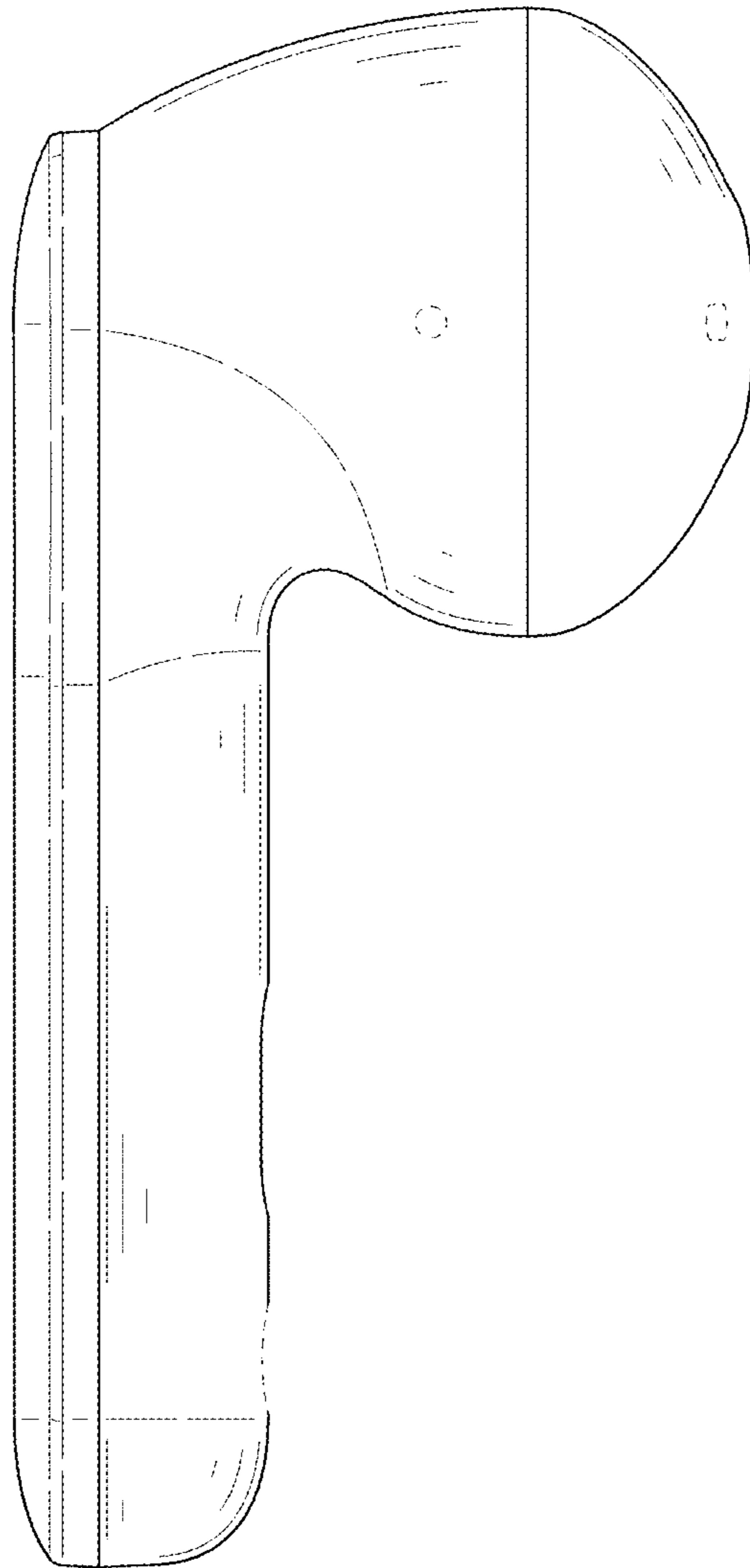


FIG. 6

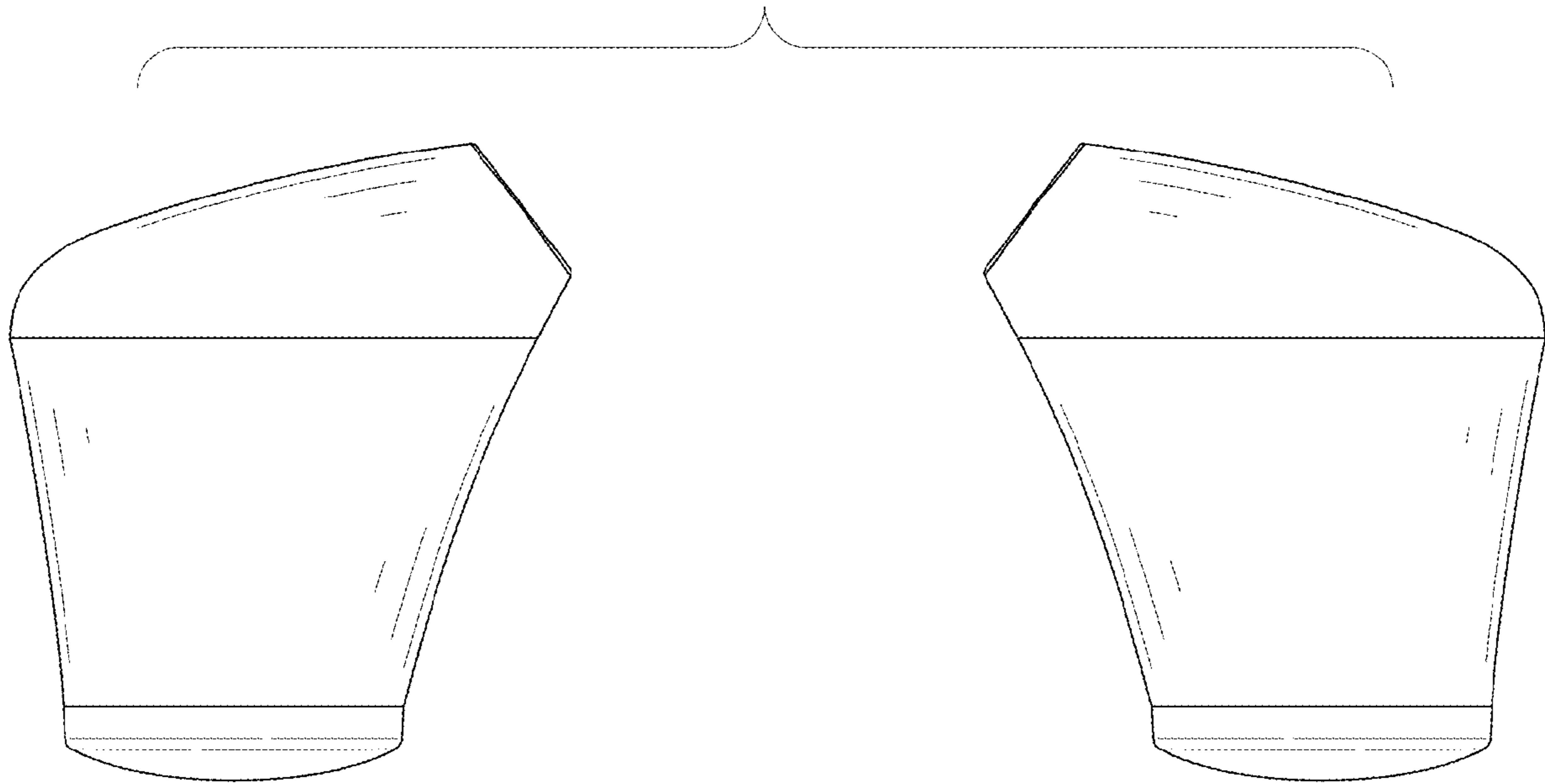


FIG. 7

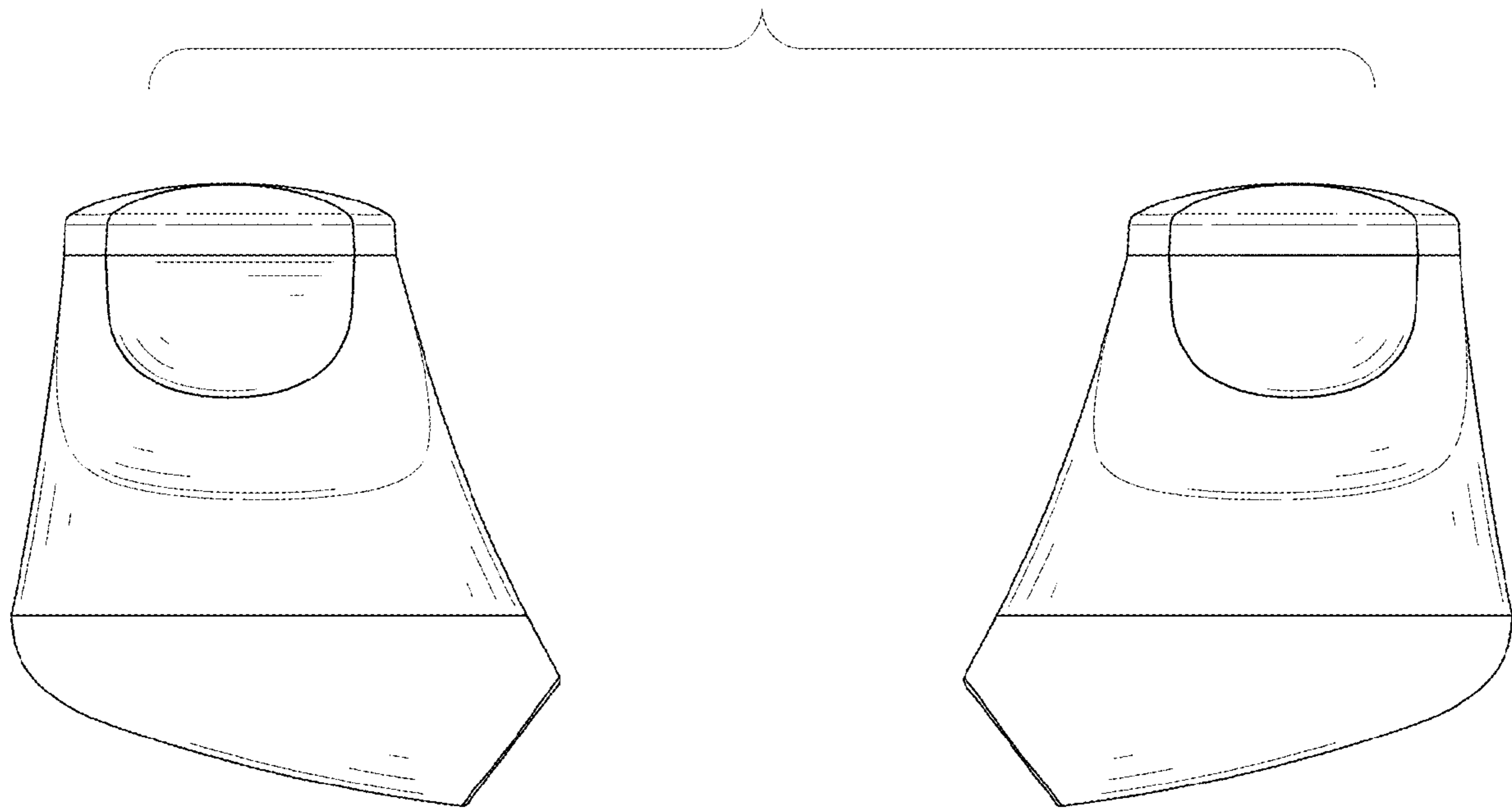


FIG. 8

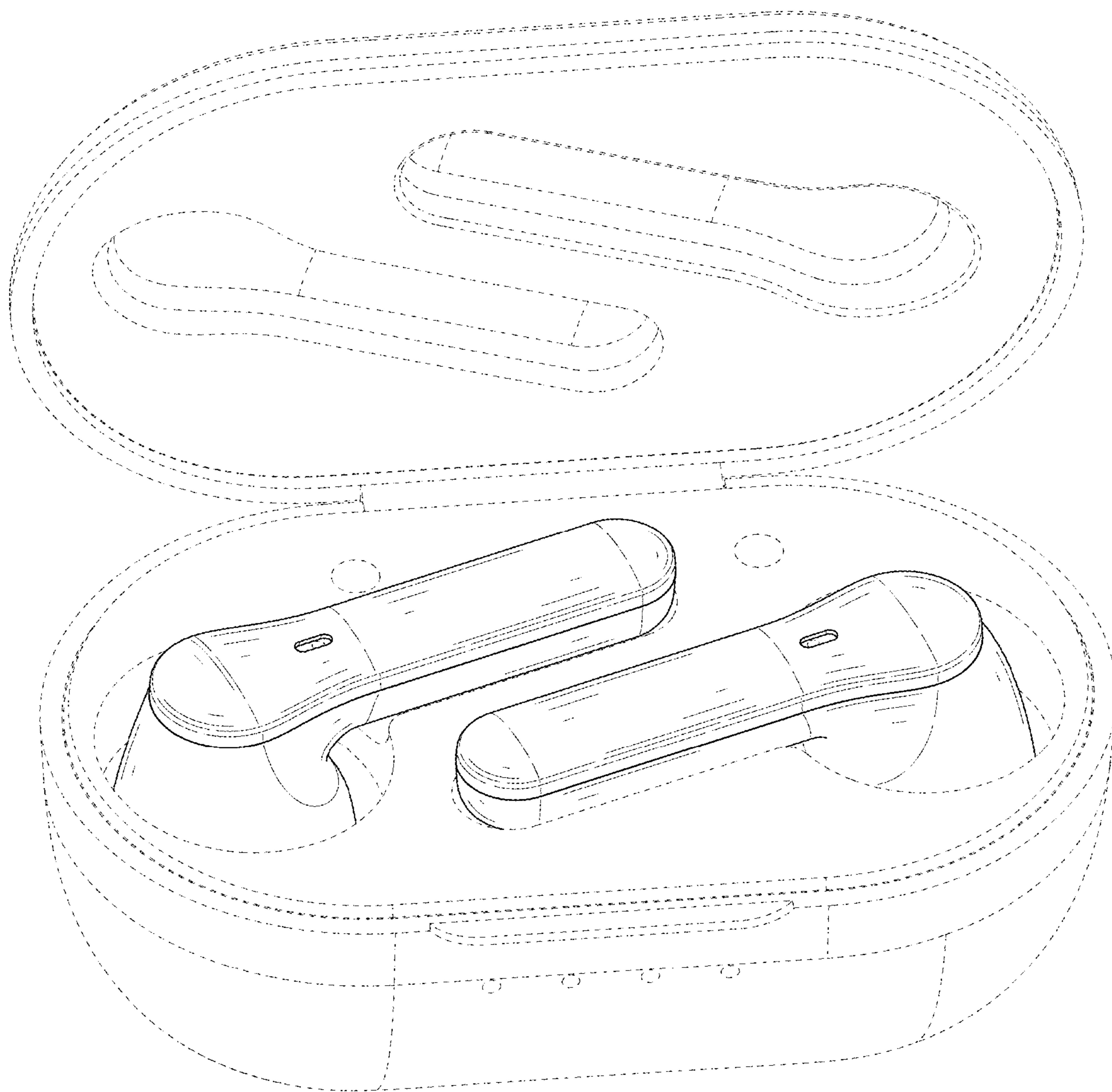


FIG. 9