



US00D924850S

(12) **United States Design Patent**
Takubo et al.

(10) **Patent No.:** **US D924,850 S**

(45) **Date of Patent:** **** Jul. 13, 2021**

(54) **EARPHONE**

(71) Applicant: **Audio-Technica Corporation**, Tokyo (JP)

(72) Inventors: **Yosuke Takubo**, Kanagawa (JP); **Takashi Nara**, Kanagawa (JP); **Jin Kuramoto**, Tokyo (JP)

(73) Assignee: **AUDIO-TECHNICA CORPORATION**, Tokyo (JP)

(**) Term: **15 Years**

(21) Appl. No.: **29/742,054**

(22) Filed: **Oct. 24, 2019**

(30) **Foreign Application Priority Data**

Apr. 25, 2019 (JP) 2019-009310

(51) **LOC (13) Cl.** **14-01**

(52) **U.S. Cl.**
USPC **D14/223**

(58) **Field of Classification Search**
USPC D14/223, 205, 218; D13/108; D24/174;
128/864, 865, 866; 455/90.3, 575.1,
455/569.1
CPC H04R 1/10; H04R 25/00; H04R 1/1066;
H04R 1/1016; H04R 5/033; H04R
5/0335; H04R 1/105; H04R 1/1091
See application file for complete search history.

(56) **References Cited**

U.S. PATENT DOCUMENTS

- 2,377,739 A * 6/1945 Wyckoff H04R 25/652
181/132
- D184,840 S * 4/1959 Voorlas D13/167
- D300,528 S * 4/1989 Drane D13/171
- D304,944 S * 12/1989 Behringer D14/188
- D305,022 S * 12/1989 Hallgren D13/171

- D321,881 S * 11/1991 Hopewell D14/192
- D374,658 S * 10/1996 Bever D13/171
- D464,630 S * 10/2002 Woodworth D13/171
- D469,411 S * 1/2003 Decosse D13/171
- D481,709 S * 11/2003 Solderits D14/223
- D529,901 S * 10/2006 Ohta D14/223
- D620,884 S * 8/2010 Lee D13/108
- D637,999 S * 5/2011 Brunner D14/205
- D642,163 S * 7/2011 Lee D14/223
- D666,580 S * 9/2012 Lee D14/223
- D694,182 S * 11/2013 Lee D13/108
- D699,215 S * 2/2014 Koch D14/205
- D705,757 S * 5/2014 Yashiro H04R 1/10
D14/223

(Continued)

FOREIGN PATENT DOCUMENTS

- EM 007729173-0001 * 9/2019
- JP 1644596 * 10/2019

Primary Examiner — Paula Allen Greene

(74) *Attorney, Agent, or Firm* — W&C IP

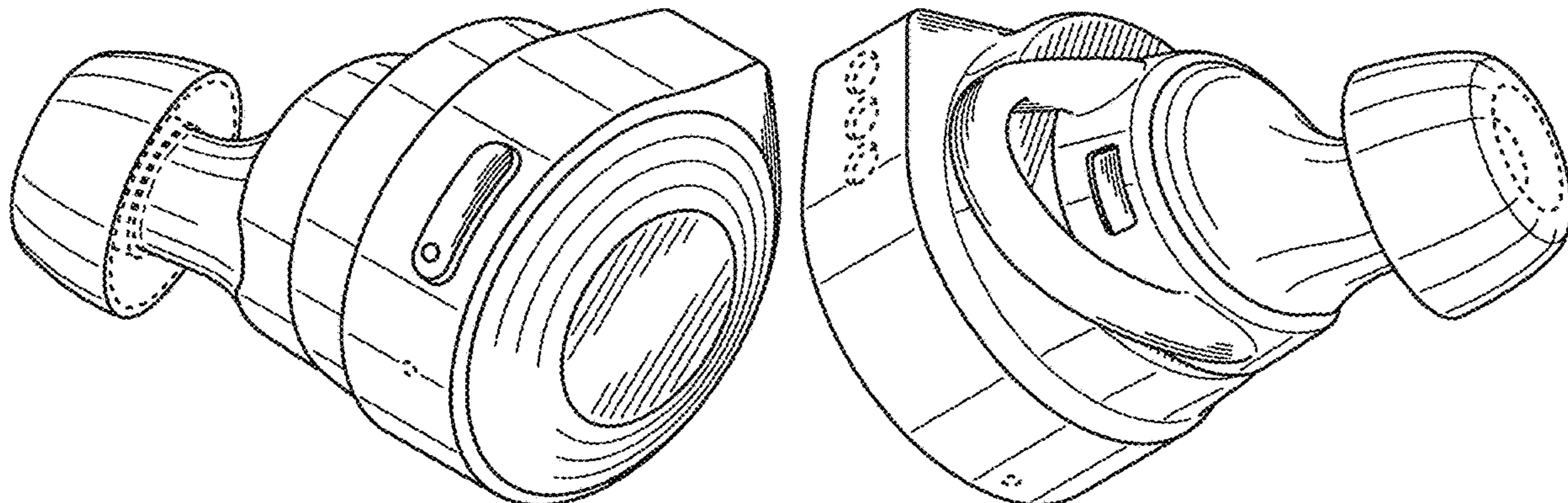
(57) **CLAIM**

The ornamental design for an earphone, as shown and described.

DESCRIPTION

FIG. 1 is a front elevational view of an earphone;
 FIG. 2 is a rear elevational view of the earphone;
 FIG. 3 is a top plan view of the earphone;
 FIG. 4 is a bottom plan view of the earphone;
 FIG. 5 is a right side elevational view of the earphone;
 FIG. 6 is a left side elevational view of the earphone;
 FIG. 7 is a front perspective view of the earphone; and,
 FIG. 8 is a rear perspective view of the earphone.
 Portions of the drawings shown in broken lines form no part of the claimed design.
 The dot dash line represents a boundary of the claim and forms no part thereof.

1 Claim, 8 Drawing Sheets



(56)

References Cited

U.S. PATENT DOCUMENTS

8,737,669 B2 * 5/2014 Monahan A61F 11/08
381/380
D711,858 S * 8/2014 Yang D14/223
D718,236 S * 11/2014 Murray D13/108
D735,131 S * 7/2015 Akana D13/108
D773,437 S * 12/2016 Lee D14/223
D777,710 S * 1/2017 Palmborg D14/223
D781,269 S * 3/2017 Choe D14/223
D789,909 S * 6/2017 Hung D14/223
D795,225 S * 8/2017 Sumii D14/223
D799,452 S * 10/2017 Lee D14/223
D841,626 S * 2/2019 Tang D14/223
D842,844 S * 3/2019 Li D14/223
D863,260 S * 10/2019 Zheng D14/223
D883,958 S * 5/2020 Liu D14/223
D892,085 S * 8/2020 Kim D14/223
D892,087 S * 8/2020 Briggs D14/223
D897,318 S * 9/2020 Blundell D14/223
D897,322 S * 9/2020 Wei D14/223
D904,349 S * 12/2020 Saxton D14/223
D912,016 S * 3/2021 Ando D14/223
2013/0163804 A1 * 6/2013 Hwang H04R 1/2888
381/380
2014/0140565 A1 * 5/2014 Liu H04R 1/1091
381/380
2018/0332379 A1 * 11/2018 McGarry H04R 1/1058
2018/0376236 A1 * 12/2018 Prevoir H04R 1/1016
2019/0014403 A1 * 1/2019 Lee H04R 1/1016
2020/0177981 A1 * 6/2020 Ma H04R 1/1058
2020/0186906 A1 * 6/2020 Birch H04R 1/1016
2020/0219525 A1 * 7/2020 Moon G10L 21/038

* cited by examiner

FIG. 1

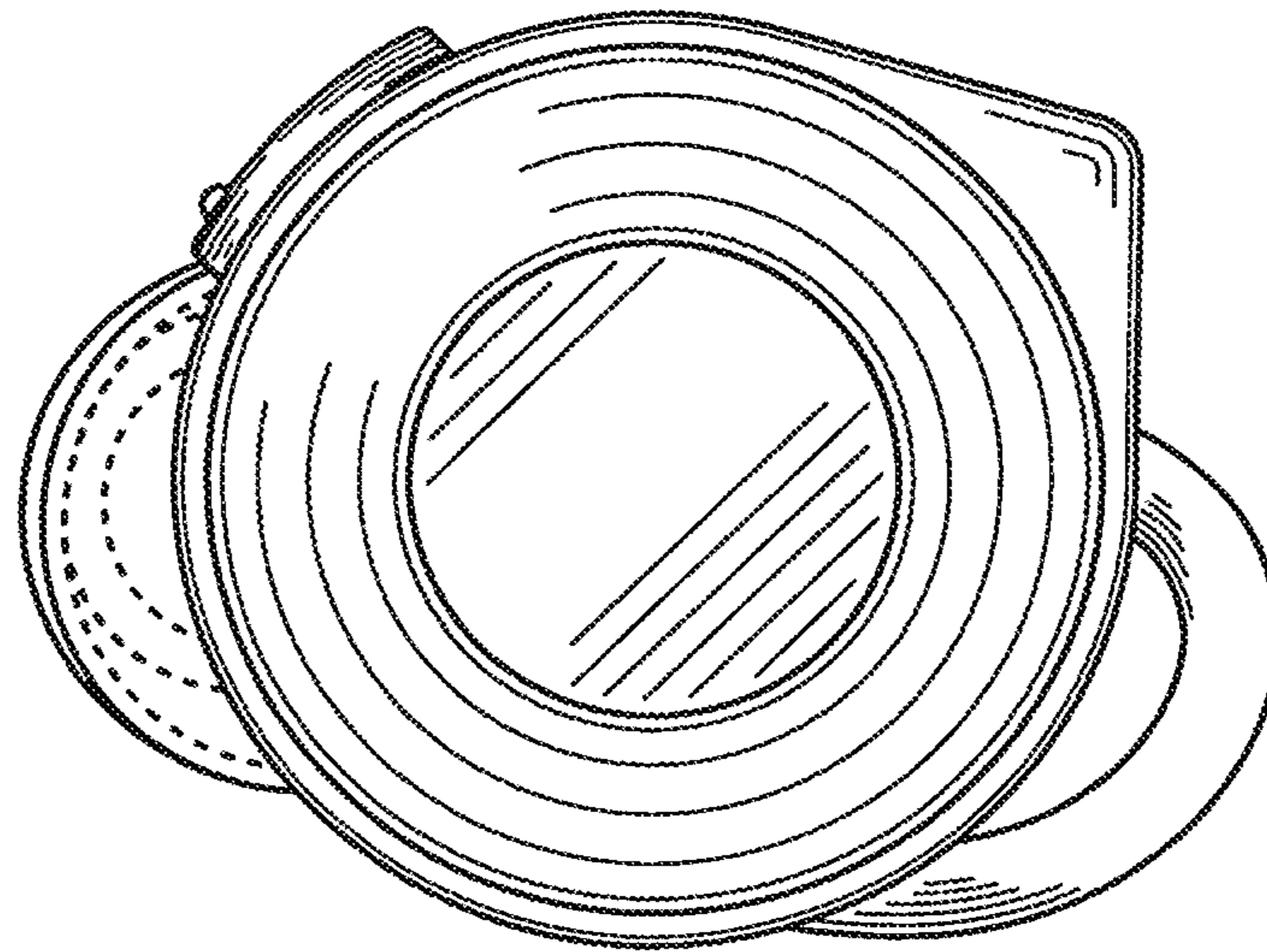


FIG. 2

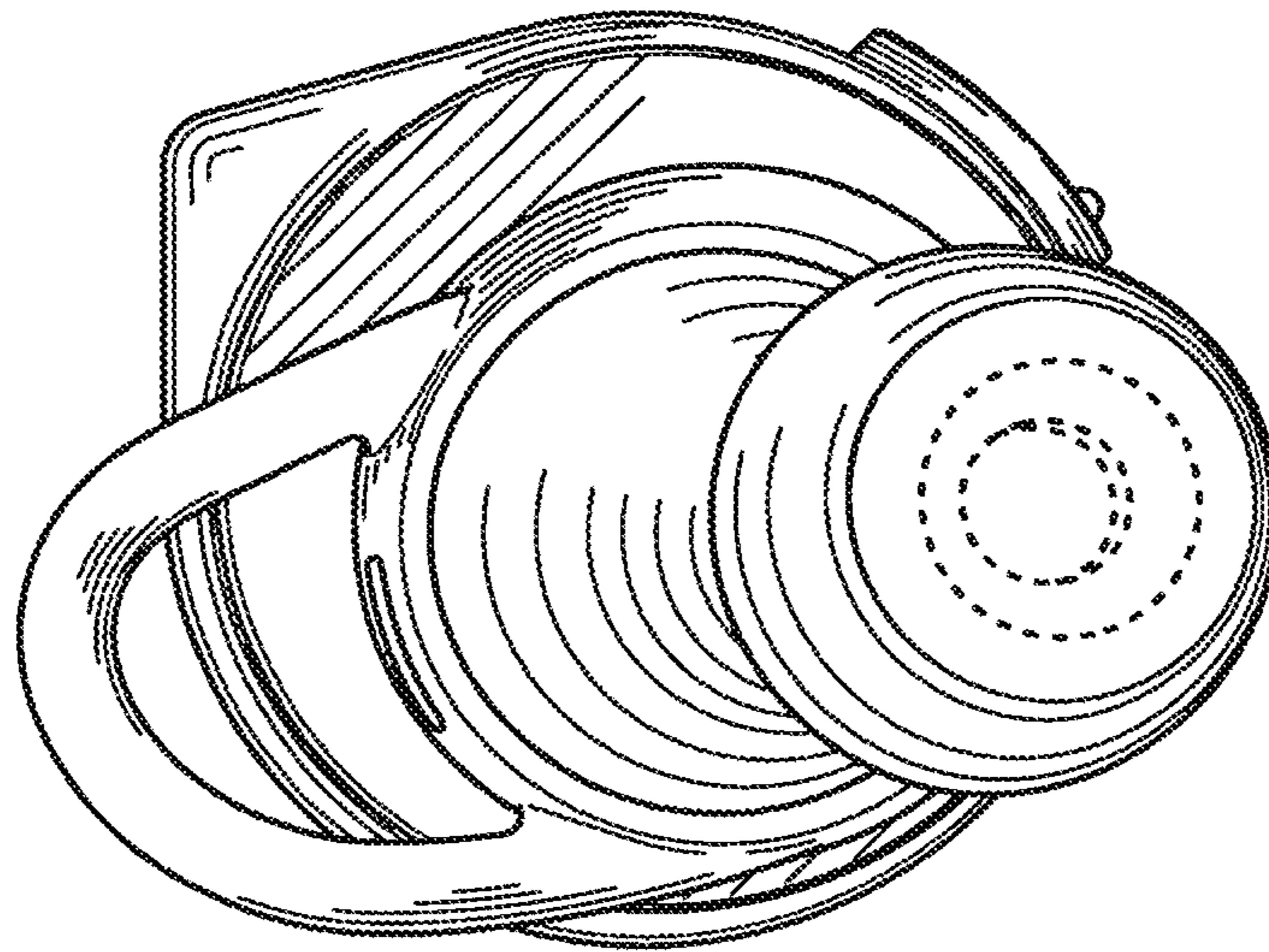


FIG. 3

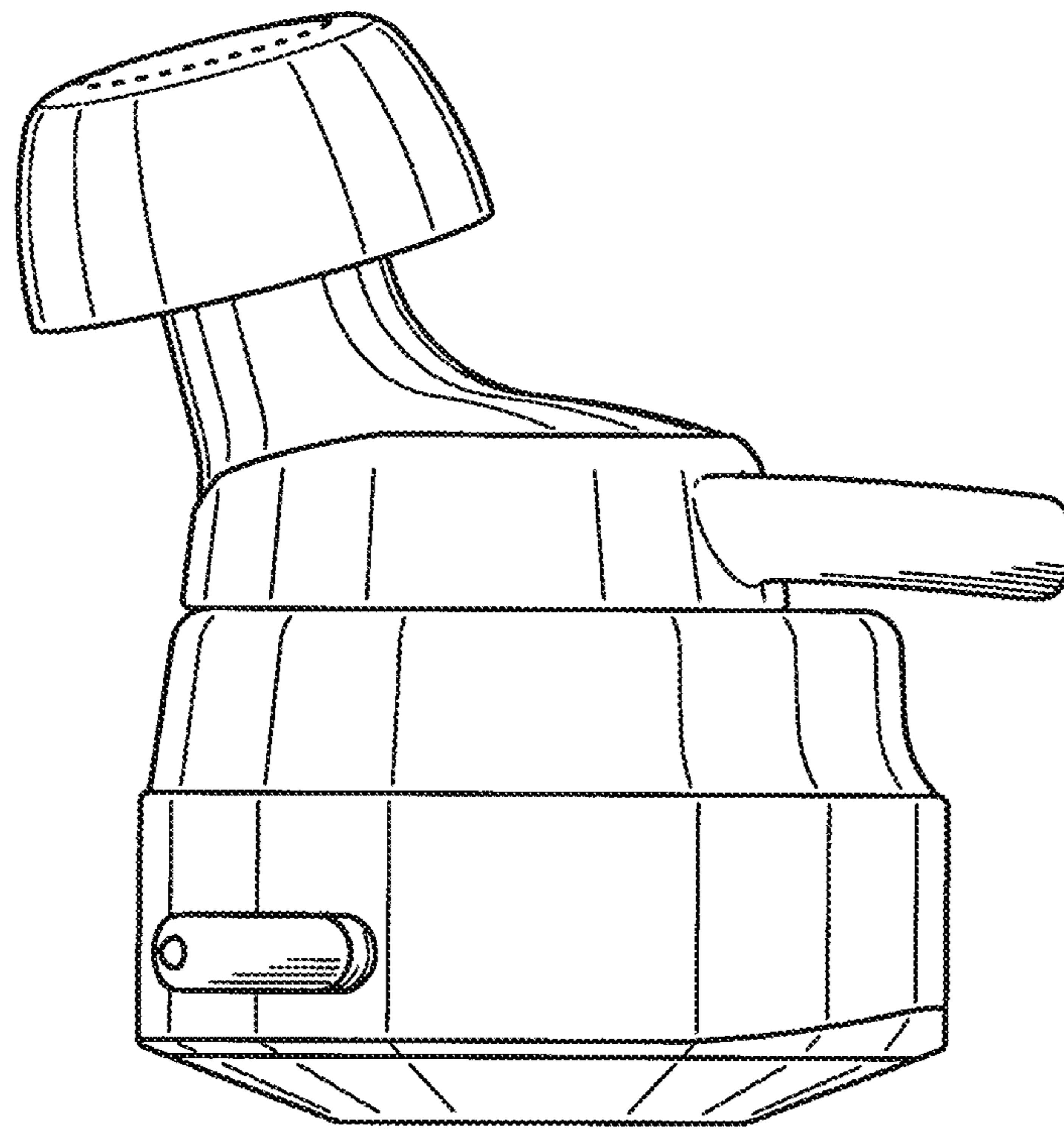


FIG. 4

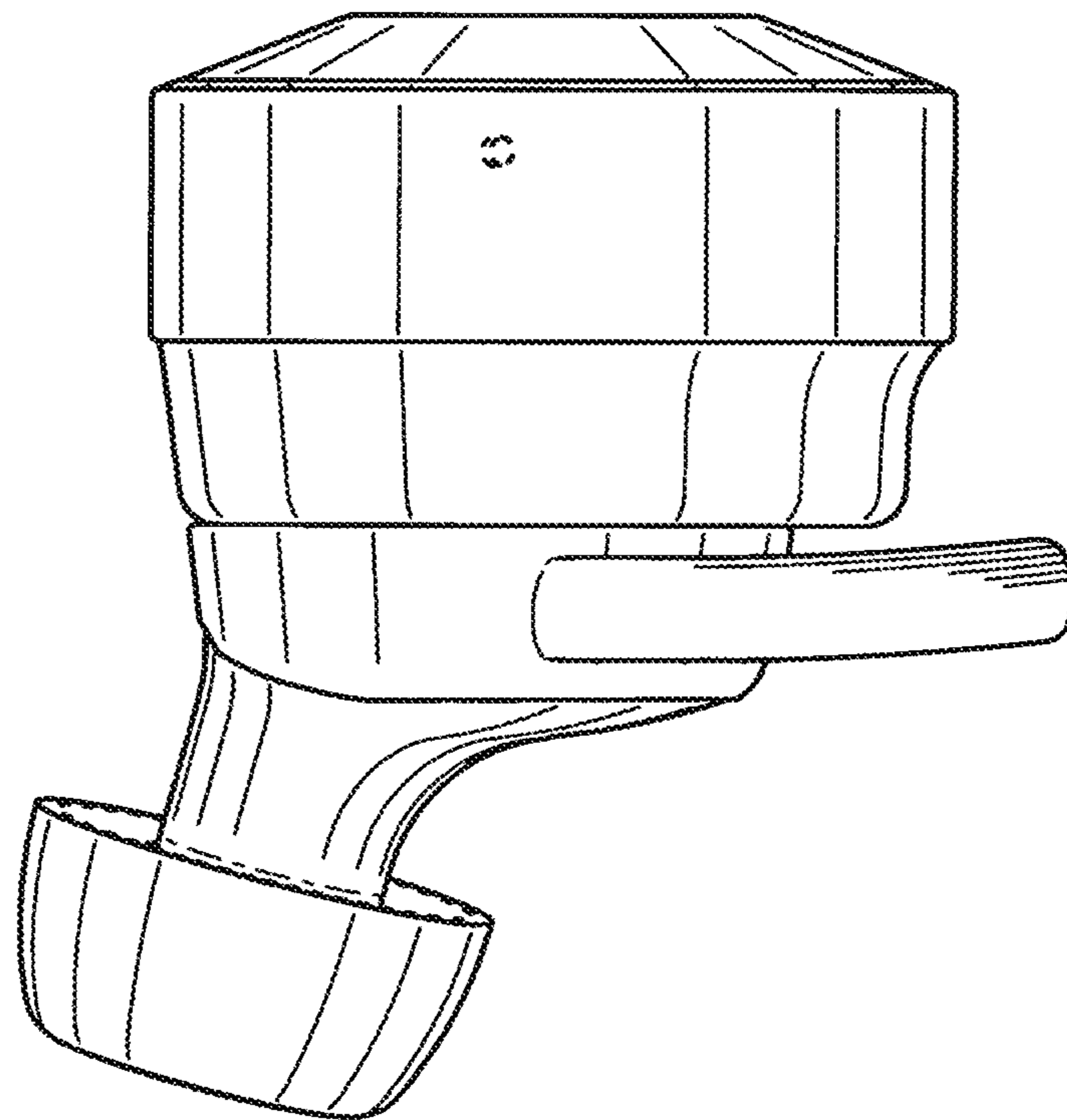


FIG. 5

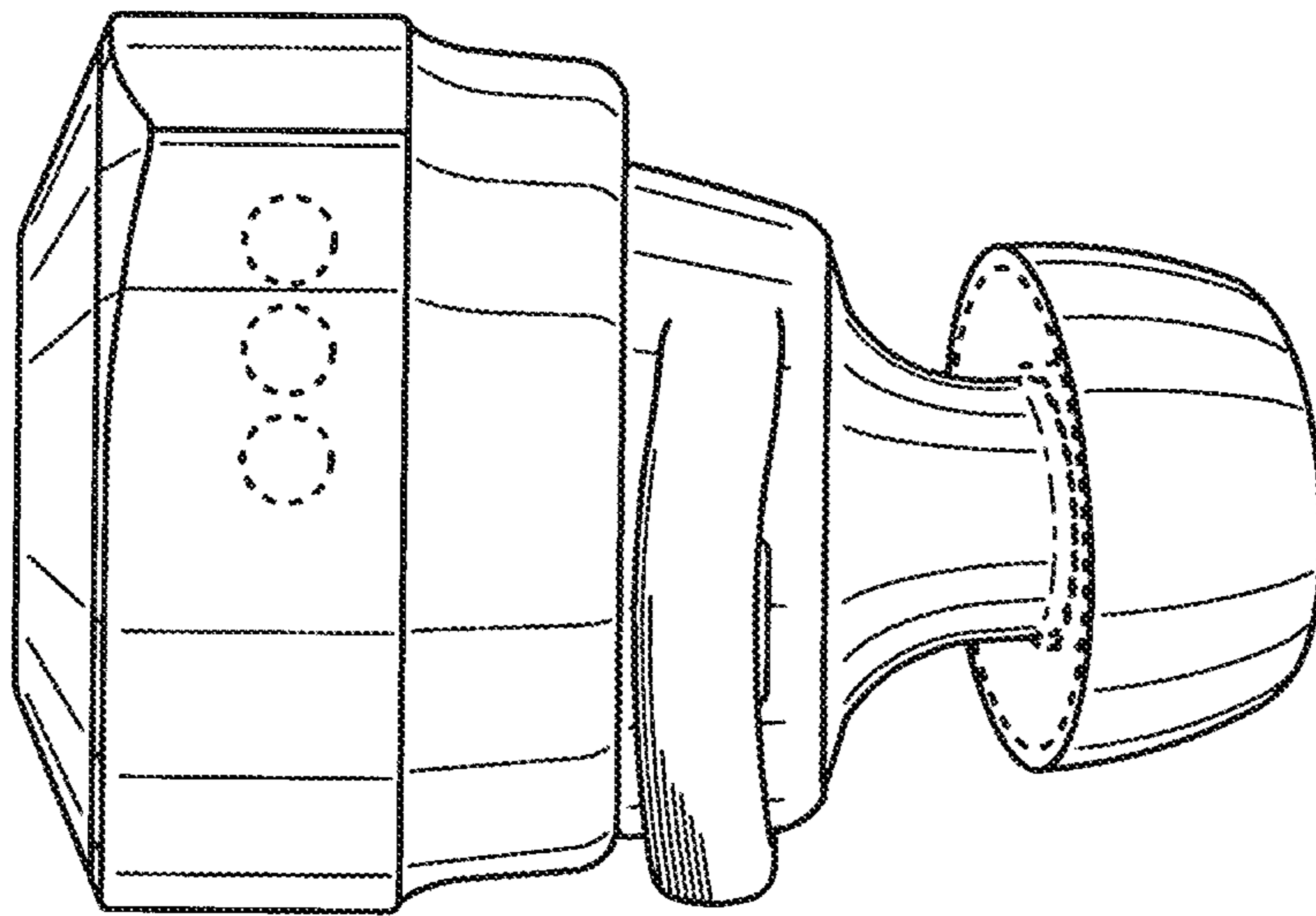


FIG. 6

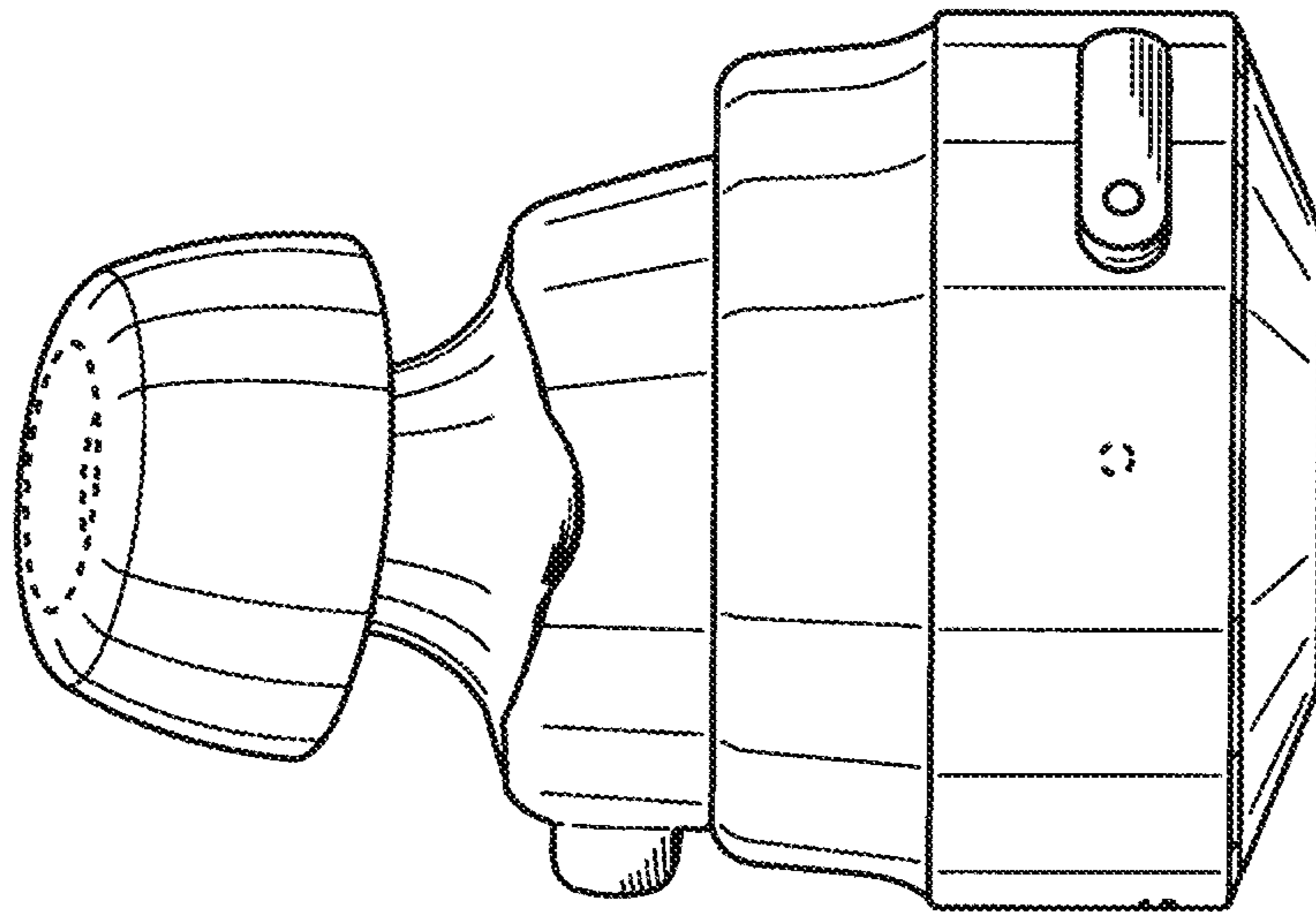


FIG. 7

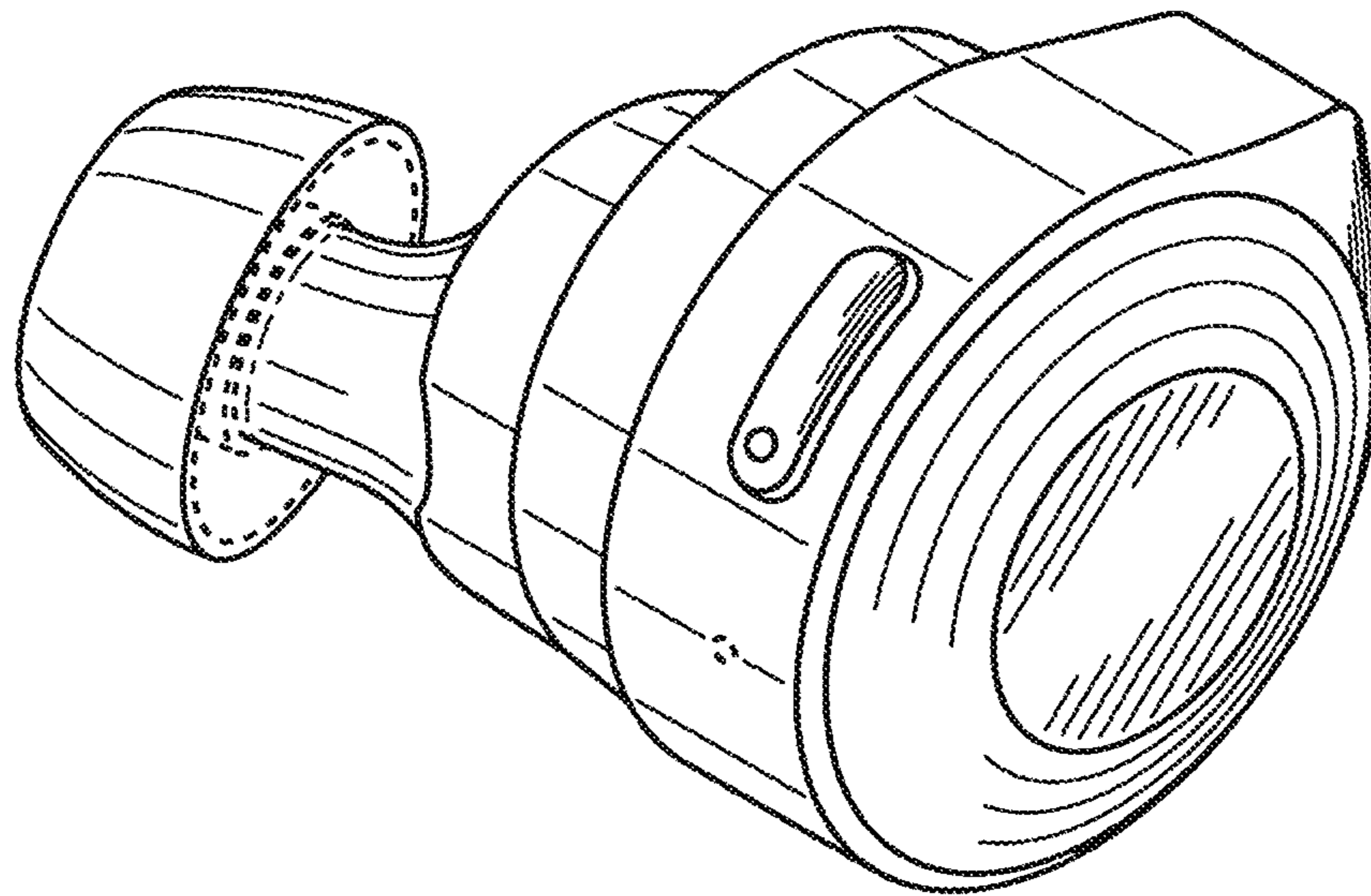


FIG. 8

