



US00D924847S

(12) **United States Design Patent** (10) **Patent No.:** **US D924,847 S**
Xie (45) **Date of Patent:** **** Jul. 13, 2021**

(54) **BLUETOOTH HEADSET**

FOREIGN PATENT DOCUMENTS

(71) Applicant: **Xiaoqian Xie**, Zhuzhou (CN)

CN 306149393 * 11/2020
CN 306242178 * 12/2020

(72) Inventor: **Xiaoqian Xie**, Zhuzhou (CN)

(Continued)

(**) Term: **15 Years**

OTHER PUBLICATIONS

(21) Appl. No.: **29/719,946**

“Prism” True Wireless Earbud, announced © 2001-2021 [online],
retrieved May 19, 2021, retrieved from internet, <https://www.dollardays.com/i2352748-wholesale-prism-true-wireless-earbud-with-charging-case-purple.html>.*

(22) Filed: **Jan. 8, 2020**

(Continued)

(51) **LOC (13) Cl.** **14-01**

(52) **U.S. Cl.**

USPC **D14/223**

(58) **Field of Classification Search**

USPC ... D14/205, 207, 217, 221, 223, 224, 224.1,
D14/225, 216; D24/173, 174

CPC H04R 1/10; H04R 1/1016; H04R 1/1066;
H04R 1/1033; H04R 1/08; H04R 5/033;
H04R 5/0335; H04R 25/00

See application file for complete search history.

Primary Examiner — Dana K Weiland
Assistant Examiner — Messina L Smith

(74) *Attorney, Agent, or Firm* — Novoclaims Patent
Services LLC; Mei Lin Wong

(57) **CLAIM**

The ornamental design for a Bluetooth headset, as shown
and described.

(56) **References Cited**

DESCRIPTION

U.S. PATENT DOCUMENTS

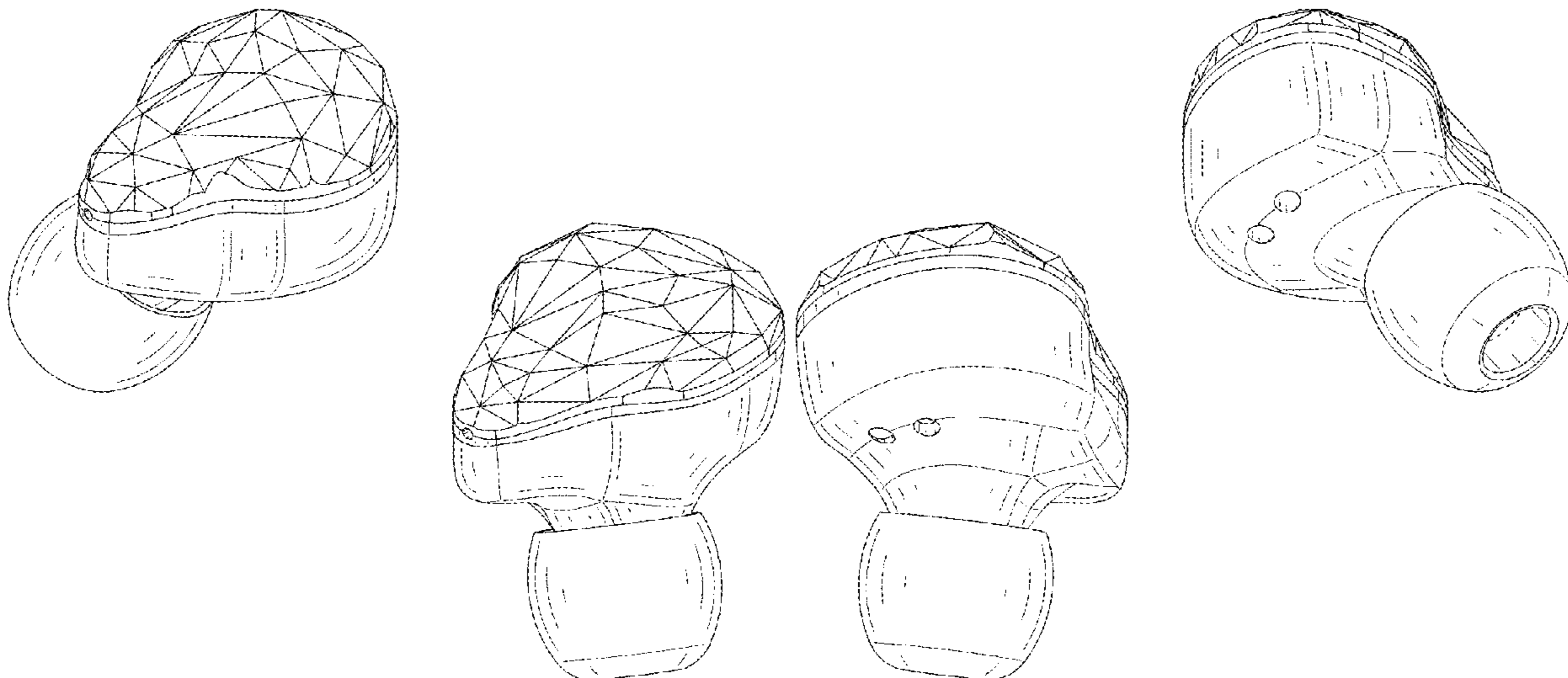
D627,337 S	*	11/2010	Wu	D14/223
D652,821 S	*	1/2012	Lee	D14/223
D691,593 S	*	10/2013	Lee	D14/223
D697,894 S	*	1/2014	Krisztal	D14/204
D716,769 S	*	11/2014	Lee	D14/223
D742,783 S	*	11/2015	Shah	D11/89
D744,454 S	*	12/2015	Ou Yang	D14/207
D797,079 S	*	9/2017	Houle	D14/223
10,149,037 B1	*	12/2018	Chen	H04R 1/105
D849,720 S	*	5/2019	Houle	D14/223
D885,372 S	*	5/2020	Wang	D14/223
D888,684 S	*	6/2020	Gu	D14/205
D895,580 S	*	9/2020	Yu	D14/223
D902,185 S	*	11/2020	Xian	D14/223
D906,292 S	*	12/2020	Wang	D14/223
D909,995 S	*	2/2021	Cai	D14/223
D915,358 S	*	4/2021	Ma	D14/223

(Continued)

FIG. 1 is a front perspective view of a Bluetooth headset
showing my new design;
FIG. 2 is a rear perspective view thereof;
FIG. 3 is a front view thereof;
FIG. 4 is a rear view thereof;
FIG. 5 is a left side view thereof;
FIG. 6 is a right side view thereof;
FIG. 7 is a top view thereof;
FIG. 8 is a bottom view thereof; and,
FIG. 9 is another perspective thereof, shown being received
inside a box.

The broken line showing of the box in FIG. 9 depicts
environment and forms no part of the claimed design. All
other broken lines depict portions of the Bluetooth headset
that form no part of the claimed design.

1 Claim, 9 Drawing Sheets



(56)

References Cited

U.S. PATENT DOCUMENTS

D917,426 S * 4/2021 Yang D14/223
D918,873 S * 5/2021 Deng D14/223

FOREIGN PATENT DOCUMENTS

CN 306255830 * 12/2020
CN 306441565 * 4/2021

OTHER PUBLICATIONS

New AirLink™ True Wireless Headphone by Monster, announced Apr. 18, 2018 [online], retrieved May 19, 2021, retrieved from internet, <https://myanoblogue.wordpress.com/2018/04/18/new-airlink-true-wireless-headphone-by-monster/>.*

Phazon Earbuds, announced May 23, 2016 [online], retrieved May 19, 2021, retrieved from internet, <https://majorhifi.com/phazon-earbuds-one-size-fits-headphones/>.*

3D printed earbuds could enhance hearing and reduce stigma surrounding hearing aids, announced Dec. 23, 2018 [online], retrieved May 19, 2021, retrieved from internet, <https://www.themanufacturer.com/articles/3d-printed-earbuds-could-enhance-hearing-and-reduce-stigma-surrounding-hearing-aids/>.*

* cited by examiner

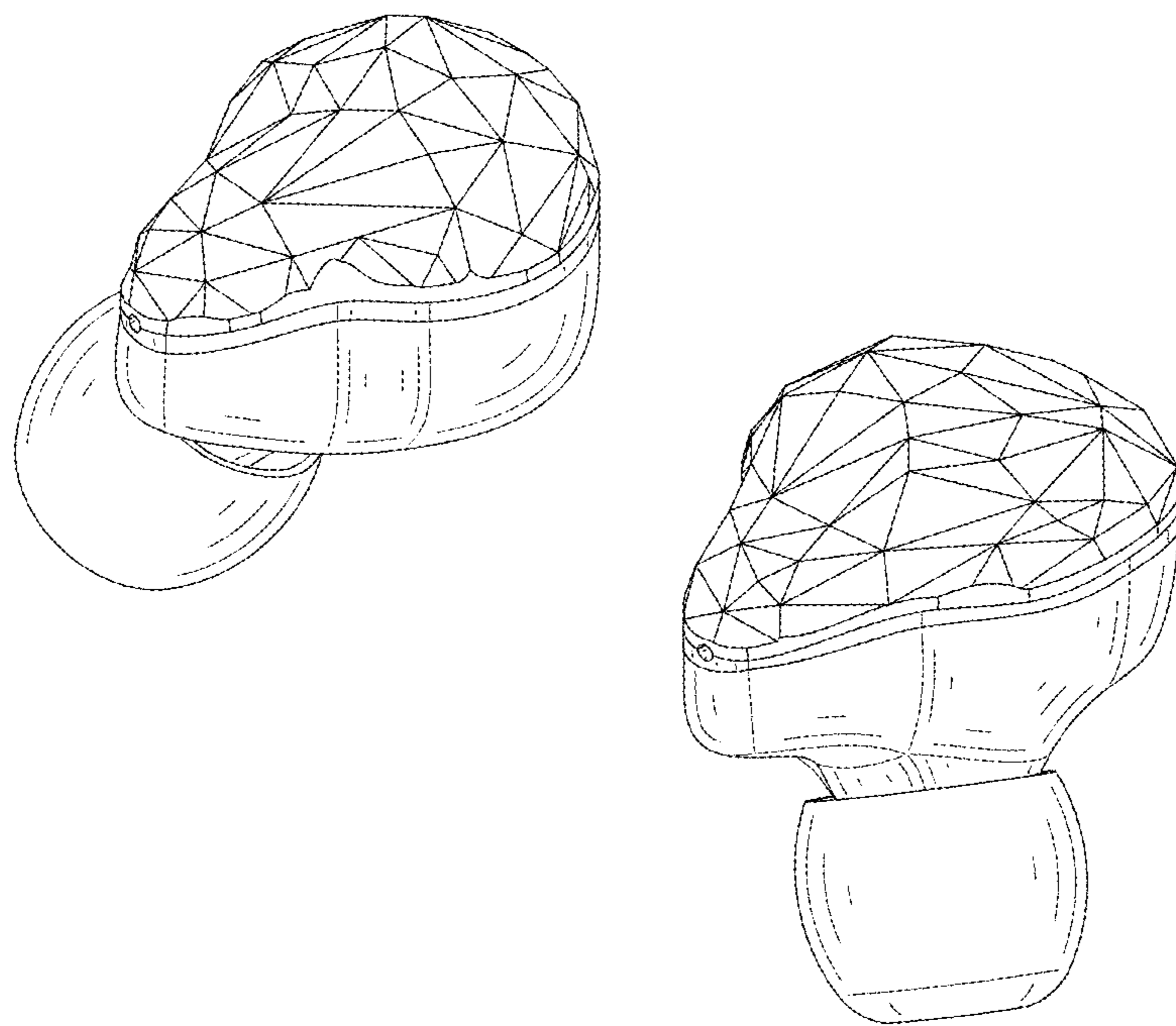


FIG.1

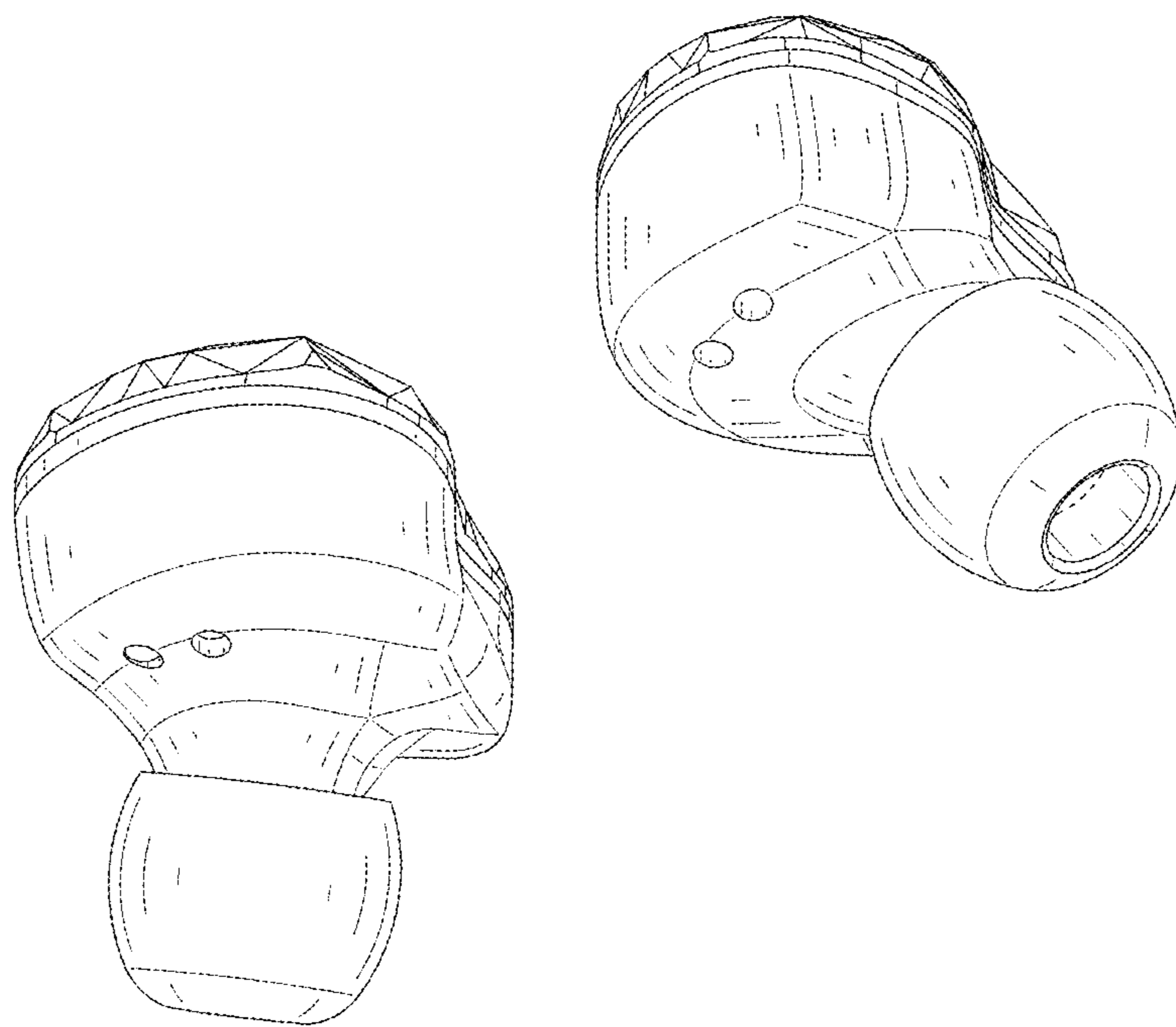


FIG.2

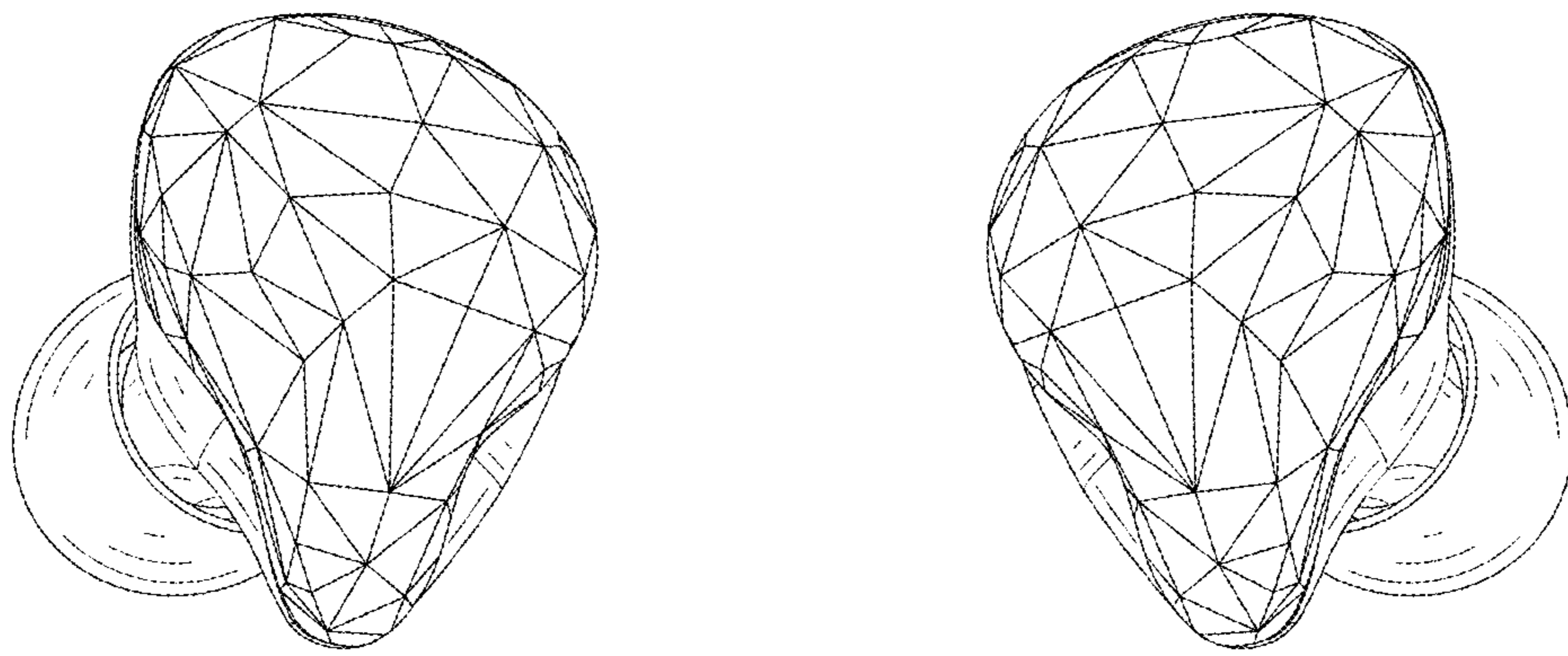


FIG.3

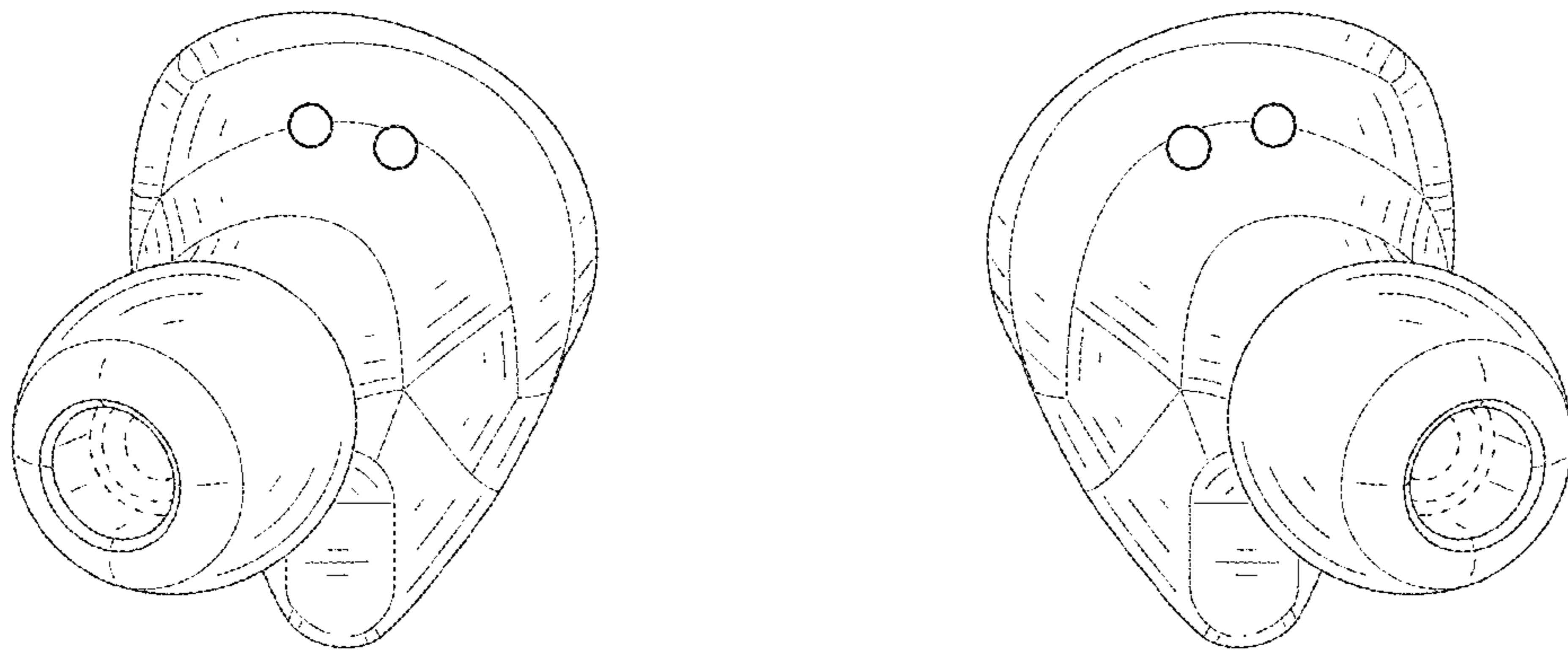


FIG.4

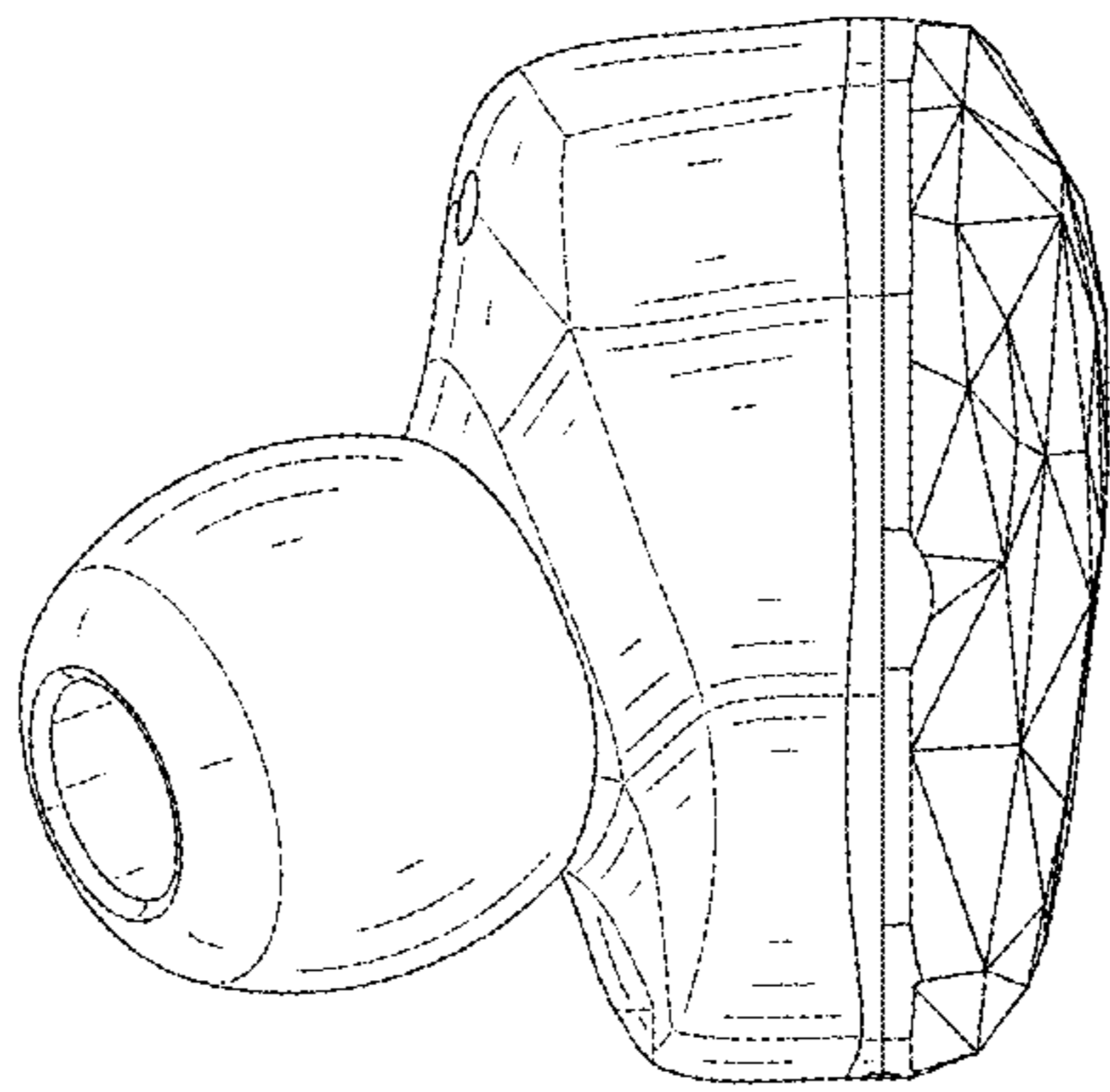


FIG.5

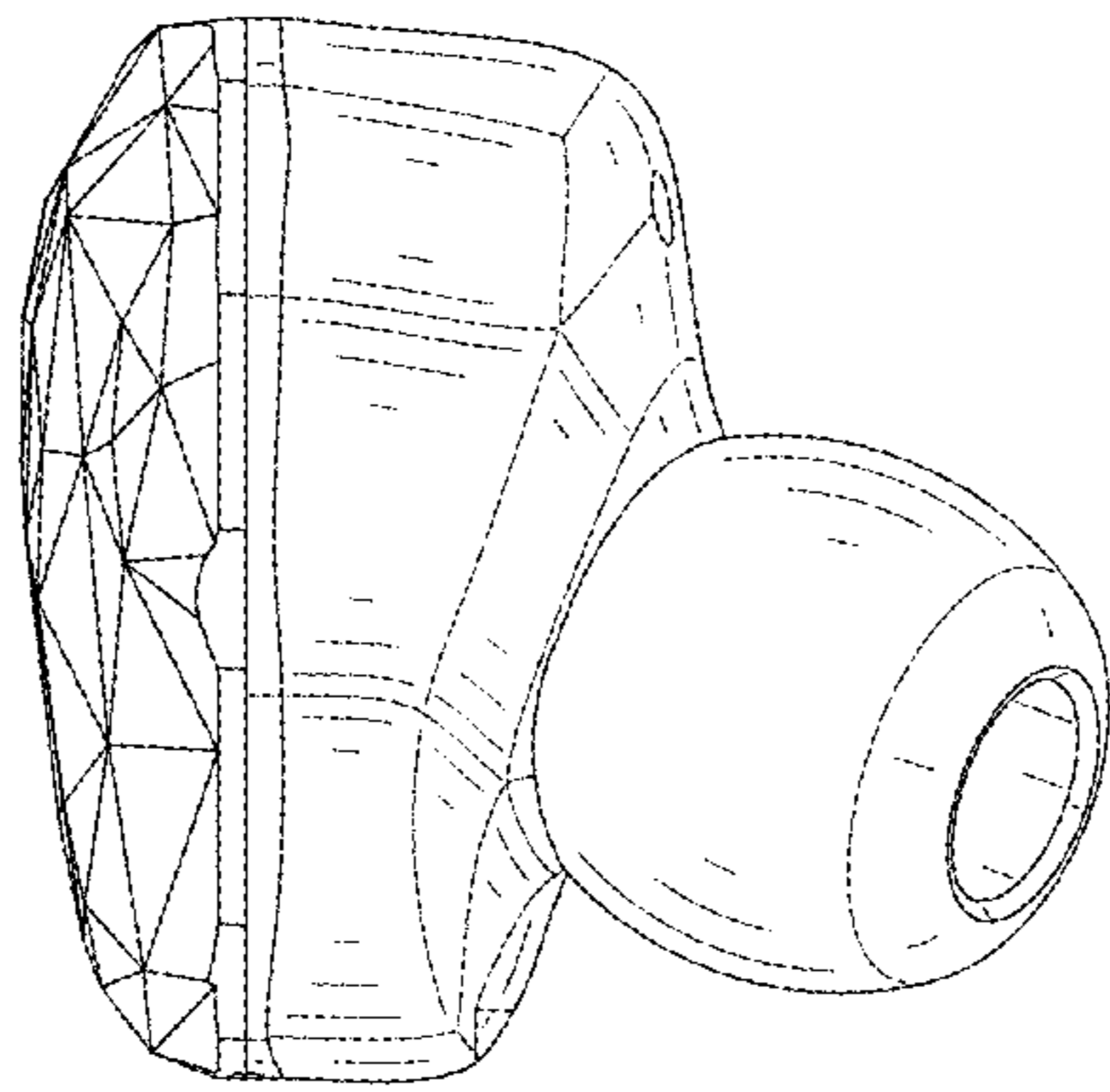


FIG.6

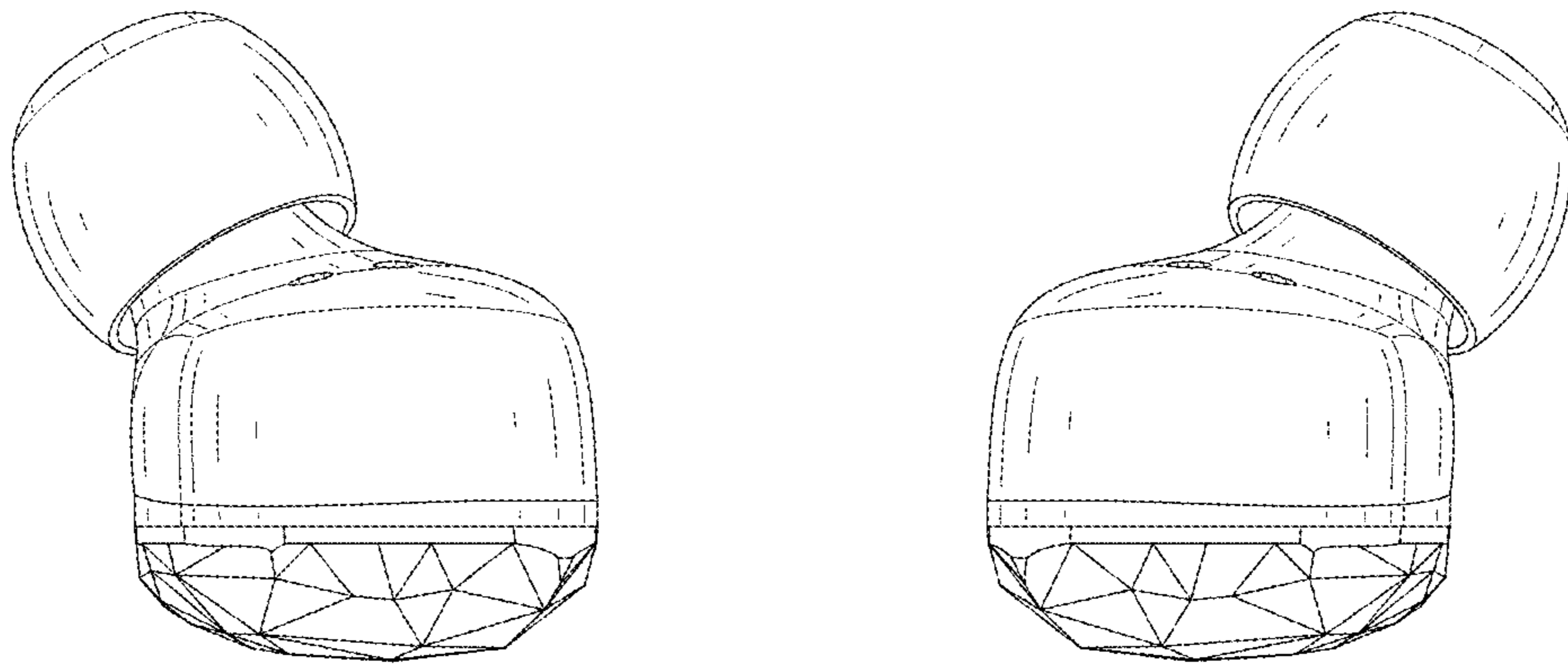


FIG.7

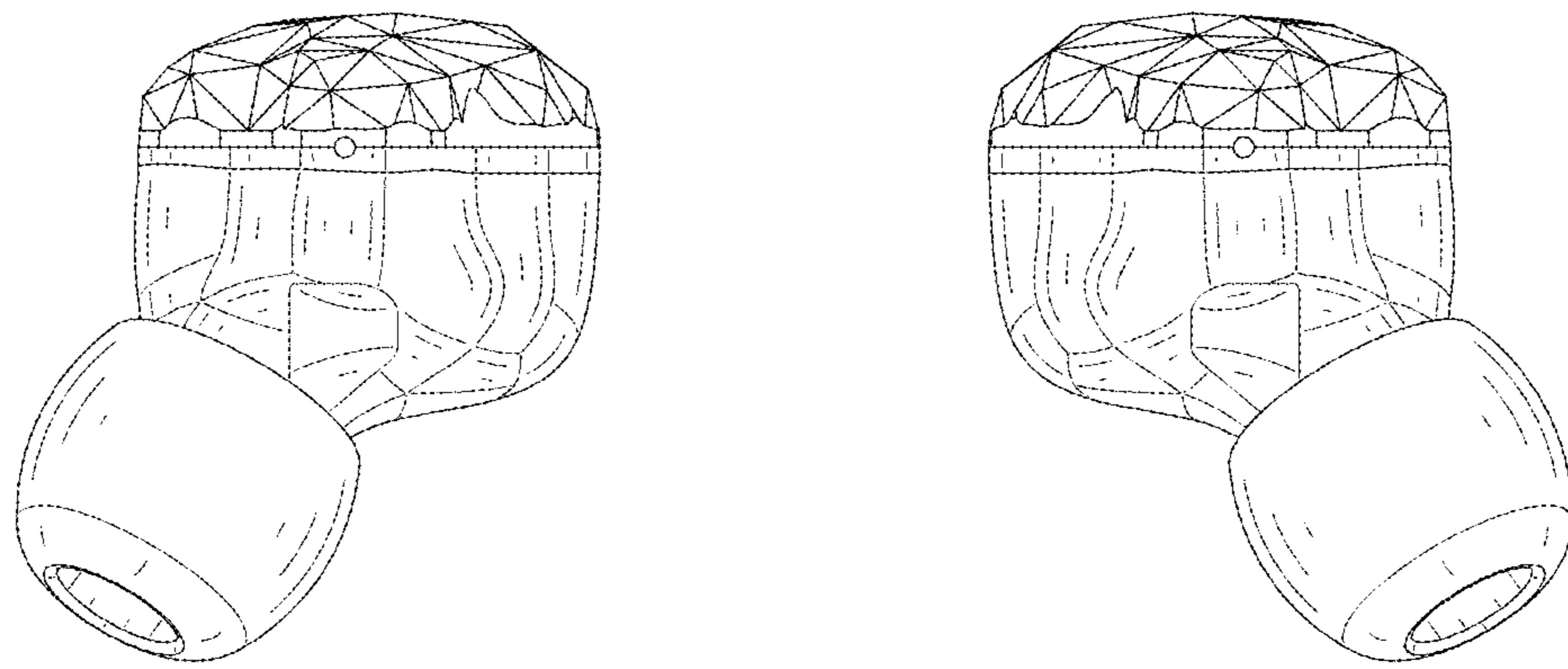


FIG.8

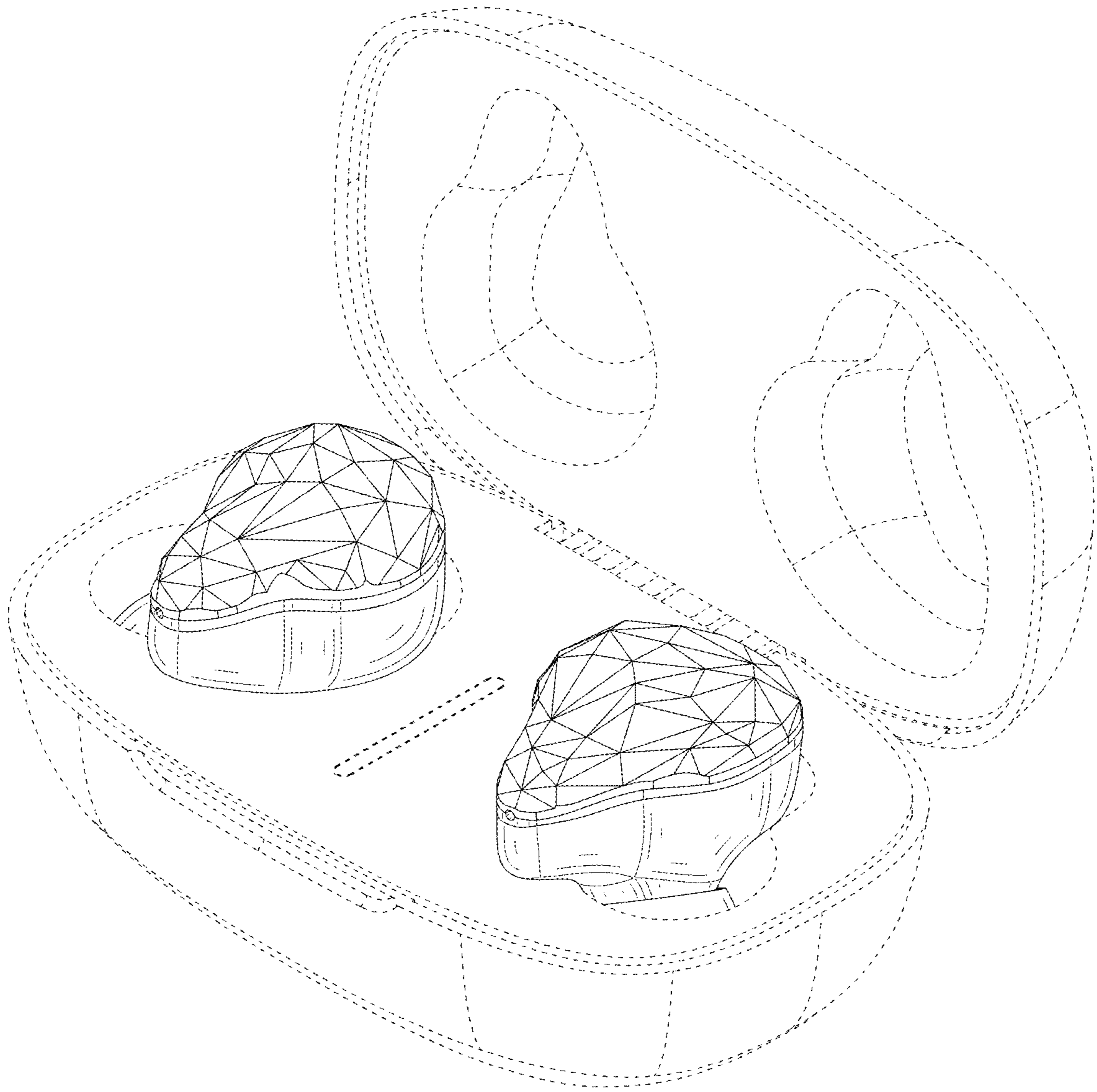


FIG.9