

US00D924846S

(12) **United States Design Patent** (10) **Patent No.:** **US D924,846 S**  
**Brown et al.** (45) **Date of Patent:** **\*\* Jul. 13, 2021**

(54) **LOUDSPEAKER**

FOREIGN PATENT DOCUMENTS

(71) Applicant: **Harman International Industries, Incorporated**, Northridge, CA (US)

CN 305774715 \* 5/2020

(72) Inventors: **Larry Paul Brown**, Altadena, CA (US);  
**Chris N. Hagen**, Simi Valley, CA (US);  
**James Garrett**, Simi Valley, CA (US);  
**An Duc Nguyen**, Simi Valley, CA (US)

OTHER PUBLICATIONS

Design U.S. Appl. No. 29/536,849, filed Aug. 19, 2015.

(Continued)

(73) Assignee: **Harman International Industries, Incorporated**, Northridge, CA (US)

*Primary Examiner* — Paula Allen Greene

(74) *Attorney, Agent, or Firm* — Plumsea Law Group, LLC

(\*\*) Term: **15 Years**

(21) Appl. No.: **29/704,957**

(57) **CLAIM**

(22) Filed: **Sep. 9, 2019**

The ornamental design for a loudspeaker, as shown and described.

(51) **LOC (13) Cl.** ..... **14-01**

(52) **U.S. Cl.**  
USPC ..... **D14/222**

(58) **Field of Classification Search**

USPC ... D14/222, 221, 208, 209, 224, 224.1, 217,  
D14/219, 216, 215, 258, 210, 209.1, 204,  
D14/228, 229; 381/342, 337, 340, 386,  
381/335, 150; 181/155, 147, 157, 166,  
181/199

CPC . H04R 25/00; H04R 1/02; H04R 9/06; H04R  
9/02; H04R 5/00; H04R 1/28; H05K  
5/00; A47B 81/06

See application file for complete search history.

**DESCRIPTION**

FIG. 1 is a front perspective view of a loudspeaker showing the new design;

FIG. 2 is a front elevational view thereof;

FIG. 3 is a rear elevational view thereof;

FIG. 4 is a side elevational view thereof;

FIG. 5 is an opposite side elevational view thereof;

FIG. 6 is a bottom view thereof;

FIG. 7 is a top view thereof;

FIG. 8 is a cross-sectional view thereof, taken along line 8-8 of FIG. 2;

FIG. 9 is a cross-sectional view thereof, taken along line 9-9 of FIG. 2;

FIG. 10 is a cross-sectional view thereof, taken along line 8-8 of FIG. 2, with unclaimed portions omitted for clarity; and,

FIG. 11 is a cross-sectional view thereof, taken along line 9-9 of FIG. 2, with unclaimed portions omitted for clarity.

The broken lines illustrate portions of the loudspeaker that form no part of the claimed design.

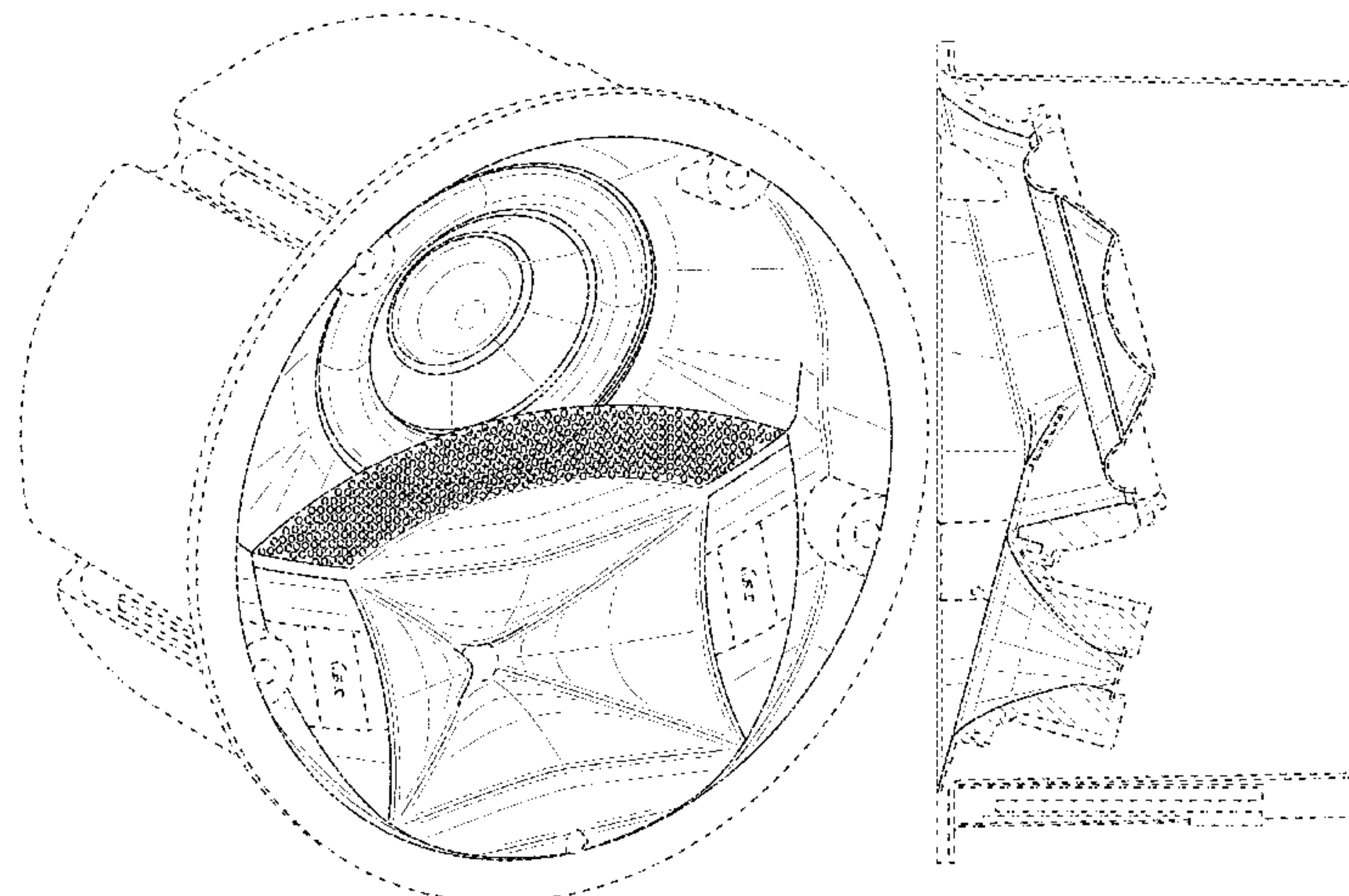
(56) **References Cited**

U.S. PATENT DOCUMENTS

2,815,087 A \* 12/1957 Delort ..... H04R 1/30  
181/152  
4,158,400 A \* 6/1979 Vice ..... H04R 1/30  
181/144  
4,169,516 A \* 10/1979 Honda ..... H04R 1/021  
181/150  
4,171,734 A \* 10/1979 Peveto ..... G10K 11/025  
181/192  
4,252,211 A \* 2/1981 Matsuda ..... H04R 1/22  
181/166

(Continued)

**1 Claim, 11 Drawing Sheets**



(56)

References Cited

U.S. PATENT DOCUMENTS

4,381,831 A \* 5/1983 Putnam ..... G10K 11/025  
181/152  
D271,967 S \* 12/1983 Meyer ..... D14/214  
D276,518 S \* 11/1984 Clemans ..... D14/214  
D280,818 S \* 10/1985 Clover, Jr. .... D14/215  
4,565,905 A \* 1/1986 Nation ..... H04R 1/24  
381/182  
4,805,729 A \* 2/1989 Wascom ..... H04R 1/26  
181/144  
5,000,286 A \* 3/1991 Crawford ..... H04R 1/02  
181/145  
5,546,468 A \* 8/1996 Beard ..... B60R 11/0217  
181/145  
D439,238 S \* 3/2001 Mackie ..... D14/214  
D450,683 S \* 11/2001 Vosse ..... D14/215  
D451,087 S \* 11/2001 Moro ..... D14/221  
6,493,452 B1 \* 12/2002 Koizumi ..... H04R 1/24  
181/144  
D476,313 S \* 6/2003 Rivera ..... H04R 1/24  
D14/216  
D483,744 S \* 12/2003 Vosse ..... D14/224  
D485,256 S \* 1/2004 Allen ..... D14/214  
D519,105 S \* 4/2006 Masui ..... D14/214  
D529,898 S \* 10/2006 Kuribayashi ..... D14/215  
D533,541 S \* 12/2006 Motoishi ..... D14/215  
7,151,836 B1 \* 12/2006 Funahashi ..... B60R 11/0217  
381/150  
D535,289 S \* 1/2007 Okamoto ..... D14/216  
D556,738 S \* 12/2007 Yao ..... D14/216  
D570,334 S \* 6/2008 Sakata ..... D14/216  
D592,180 S \* 5/2009 Davis ..... D14/204  
D597,531 S \* 8/2009 Cho ..... D14/214  
D598,897 S \* 8/2009 Arneson ..... D14/214  
D618,214 S \* 6/2010 Wang ..... D14/209.1

7,845,462 B2 \* 12/2010 Moore ..... H04R 1/345  
181/192  
8,160,285 B2 \* 4/2012 Kragelund ..... G10K 11/02  
381/338  
8,189,849 B2 \* 5/2012 Waddell ..... H04R 1/02  
381/388  
D678,246 S \* 3/2013 Davies ..... D14/215  
D695,715 S \* 12/2013 Burlingame ..... D14/217  
D738,352 S \* 9/2015 Alexander ..... D14/215  
D738,861 S \* 9/2015 Yang ..... D14/222  
D756,335 S \* 5/2016 Shin ..... D14/221  
D760,191 S 6/2016 Nugent et al.  
D770,414 S \* 11/2016 Davies ..... D14/215  
D783,570 S 4/2017 Sprinkle  
D796,472 S 9/2017 Sprinkle  
D800,696 S 10/2017 Tubis et al.  
D811,374 S 2/2018 Tubis et al.  
D821,360 S 6/2018 Moro  
D822,006 S 7/2018 Moro  
D823,281 S 7/2018 Garrett et al.  
D832,239 S \* 10/2018 Warden ..... D14/222  
D856,982 S 8/2019 Tubis et al.  
D864,910 S 10/2019 Peace, Jr. et al.  
2003/0142844 A1 \* 7/2003 Rivera ..... H04R 1/26  
381/335  
2004/0252856 A1 \* 12/2004 Masuda ..... H04R 1/26  
381/340

OTHER PUBLICATIONS

Design U.S. Appl. No. 29/538,502, filed Sep. 3, 2015.  
Design U.S. Appl. No. 29/662,047, filed Aug. 31, 2018.  
Design U.S. Appl. No. 29/662,096, filed Aug. 31, 2018.  
Design U.S. Appl. No. 29/675,348, filed Dec. 31, 2018.  
Design U.S. Appl. No. 29/704,229, filed Sep. 3, 2019.  
Design U.S. Appl. No. 29/704,250, filed Sep. 3, 2019.  
Design U.S. Appl. No. 29/704,231, filed Sep. 3, 2019.

\* cited by examiner



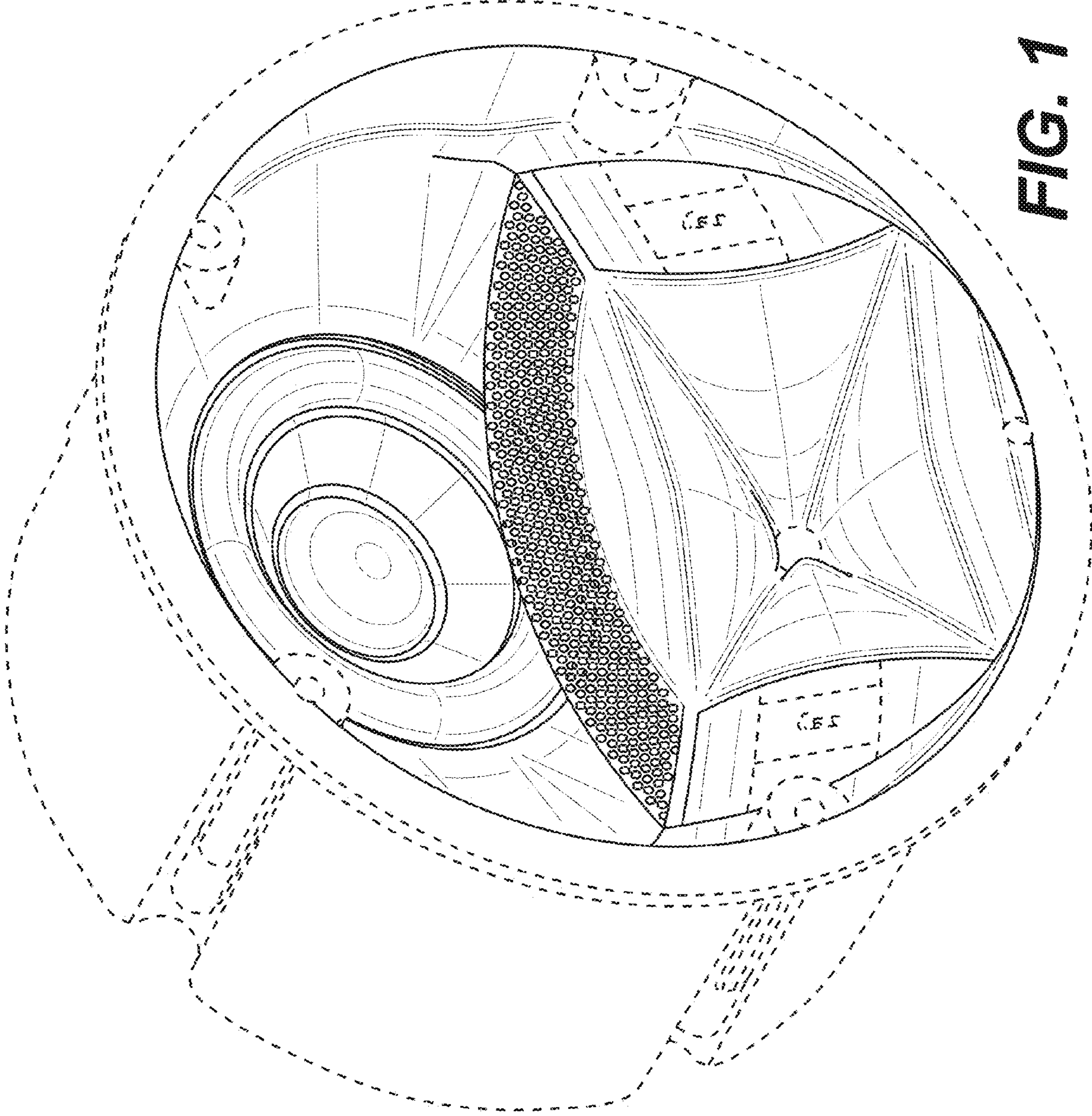
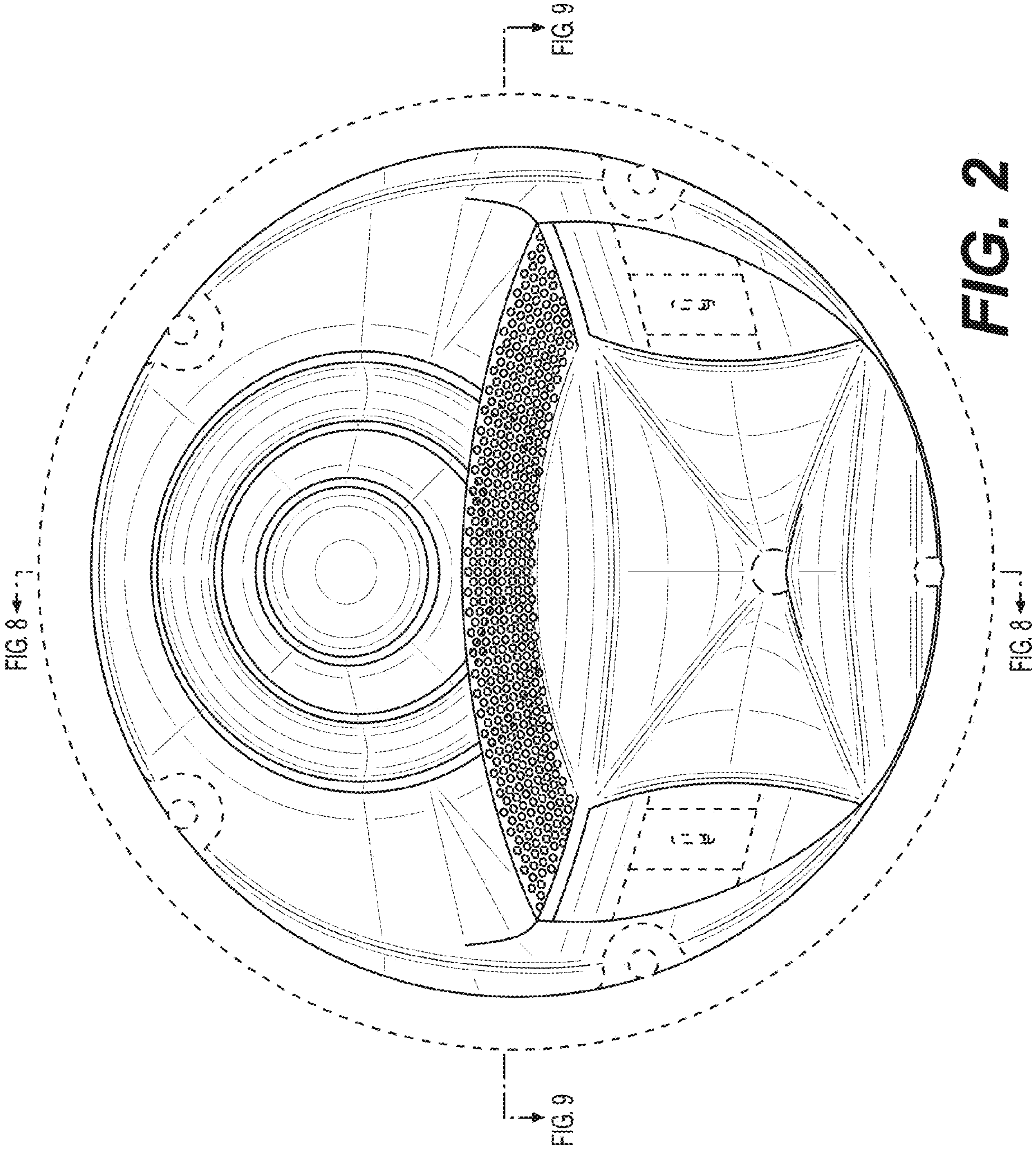
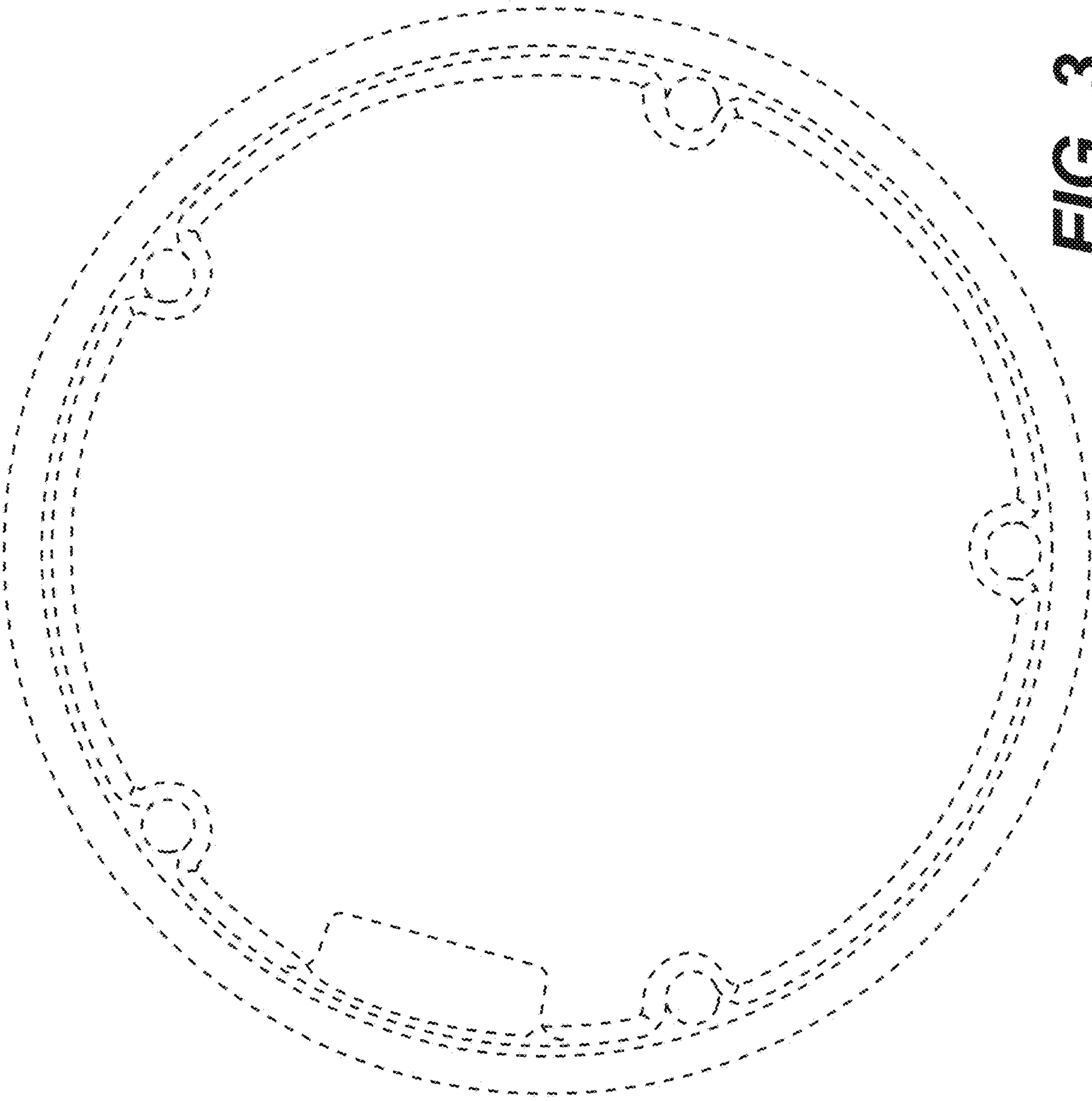
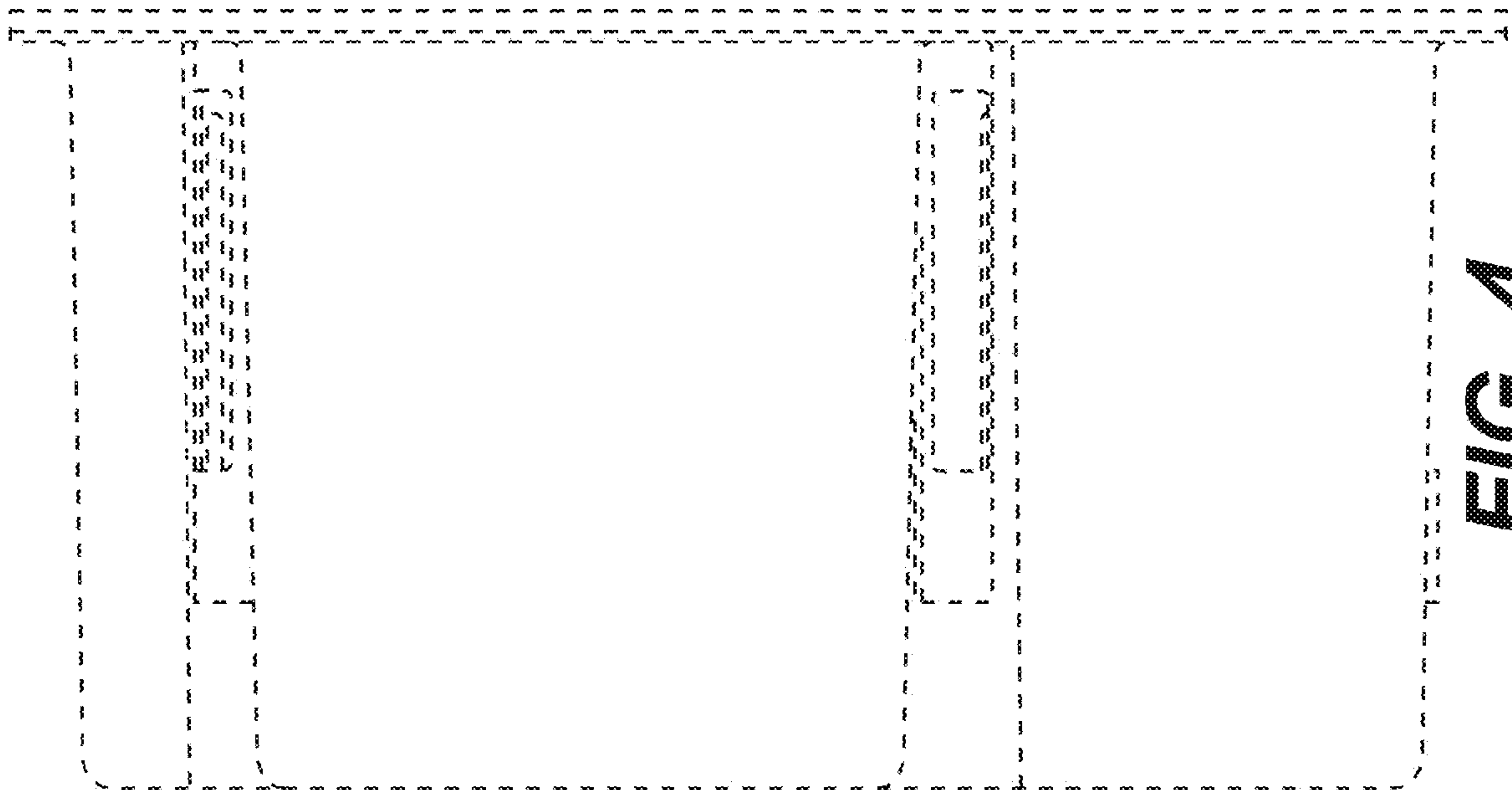


FIG. 1



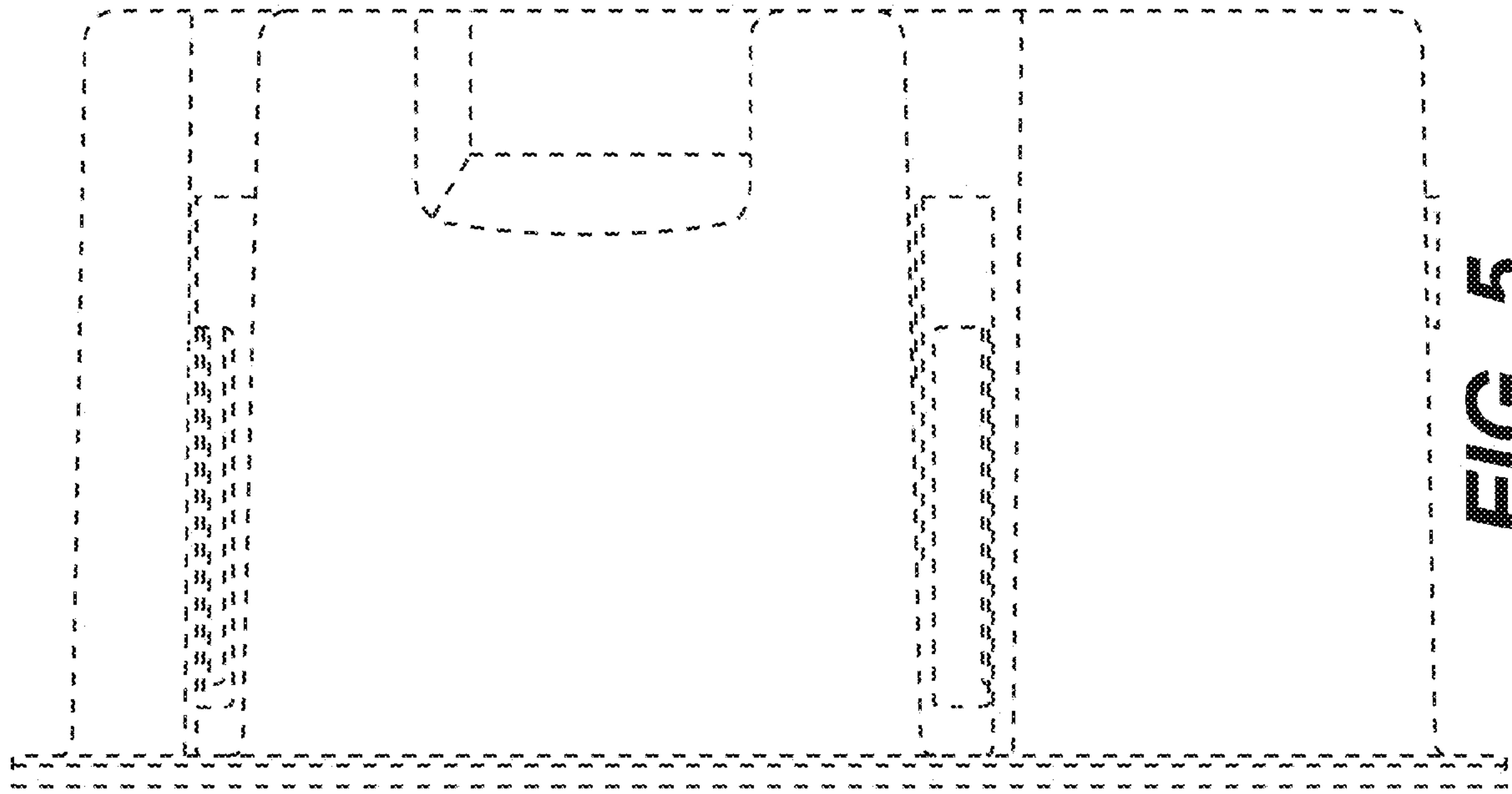


**FIG. 3**

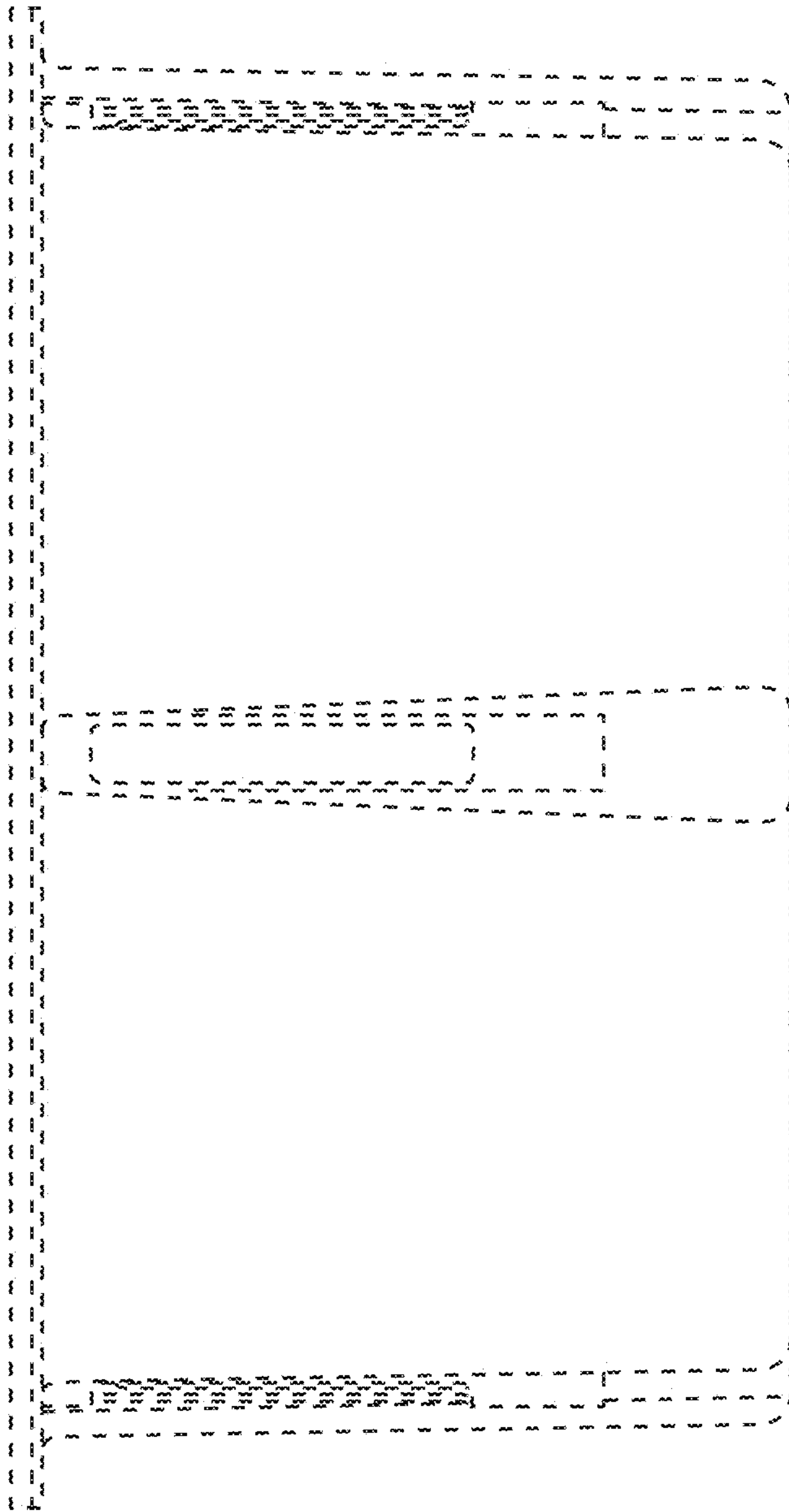


**FIG. 4**



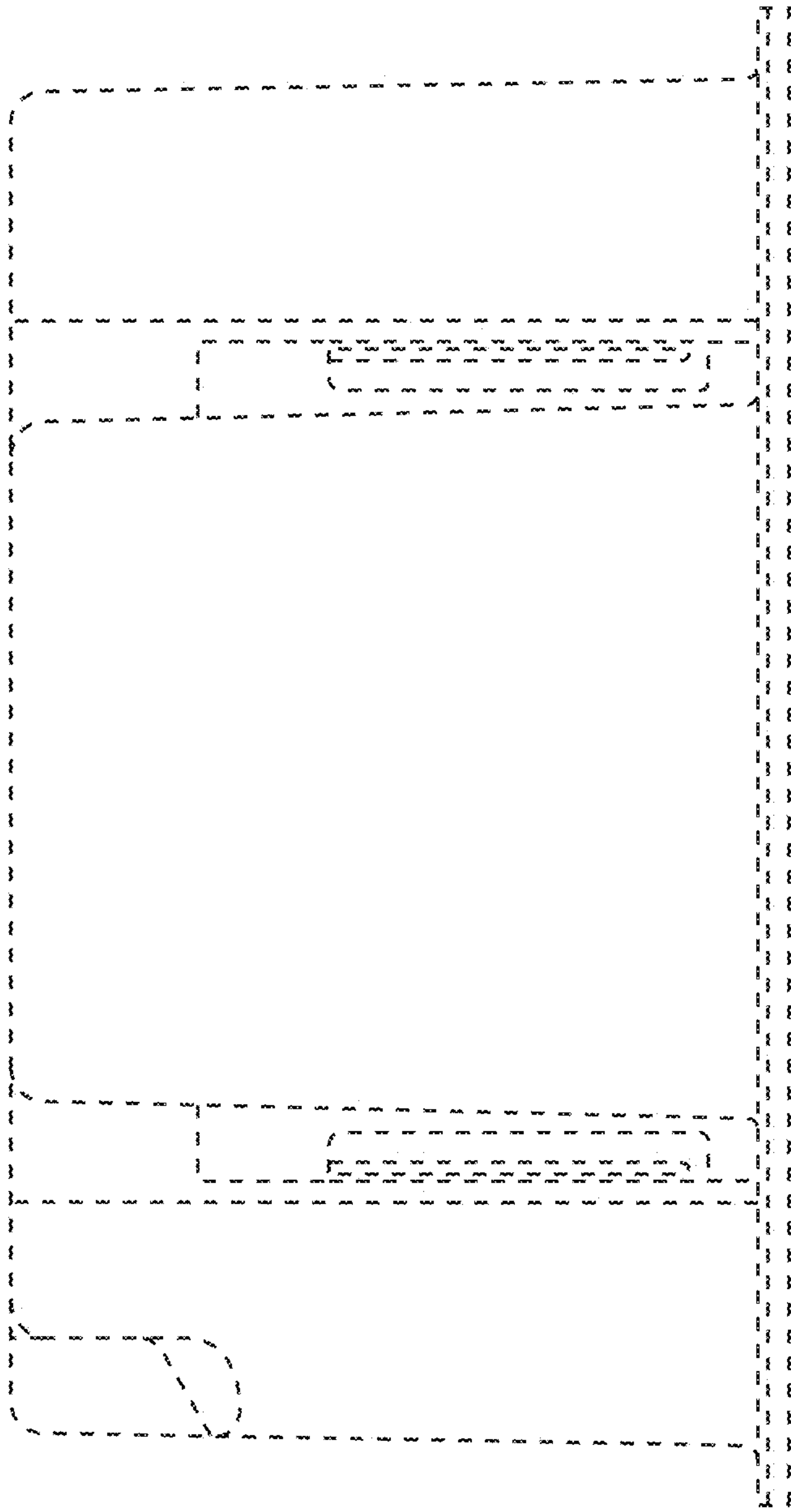


**FIG. 5**

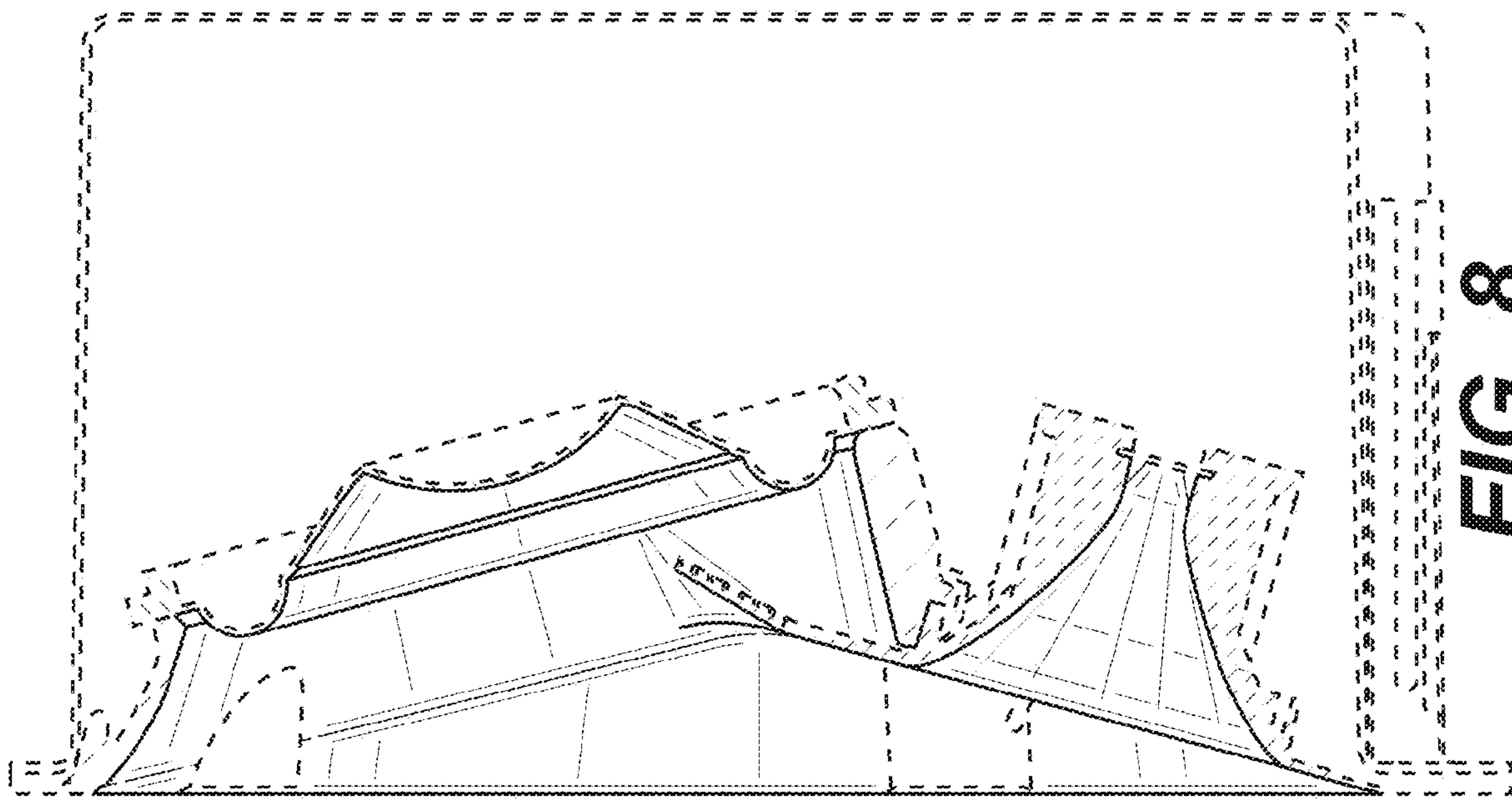


**FIG. 6**

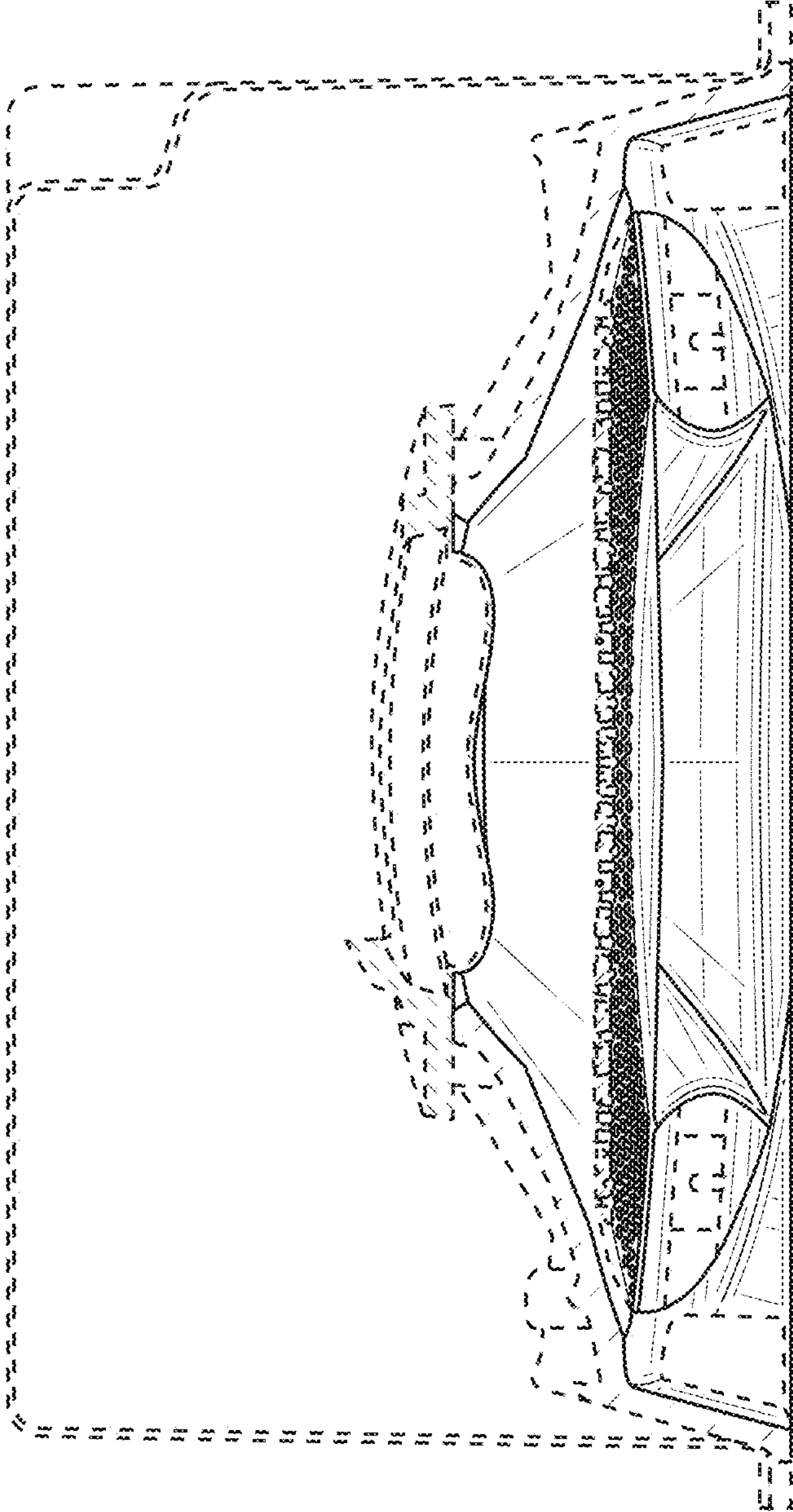




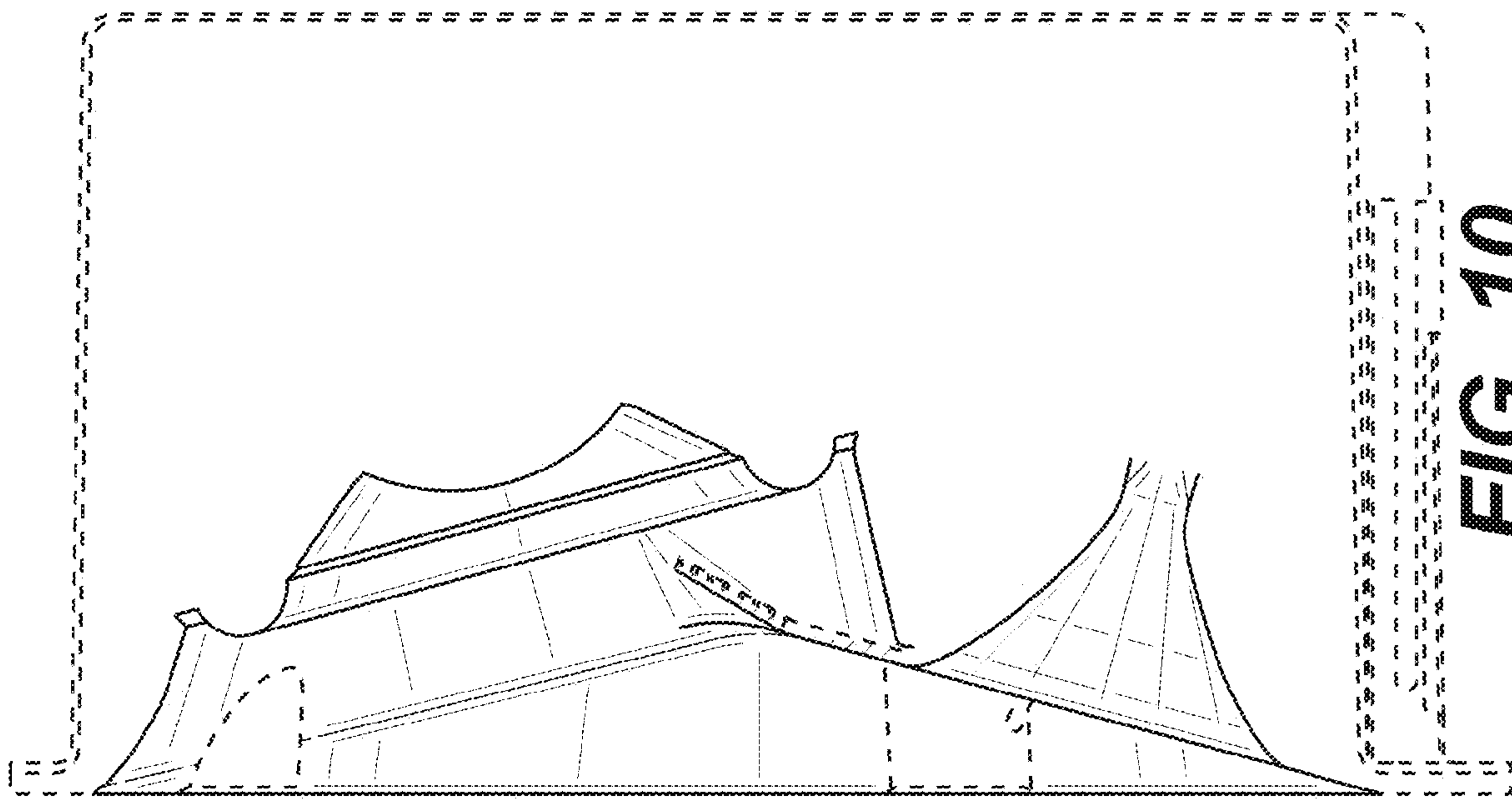
**FIG. 7**



**FIG. 8**

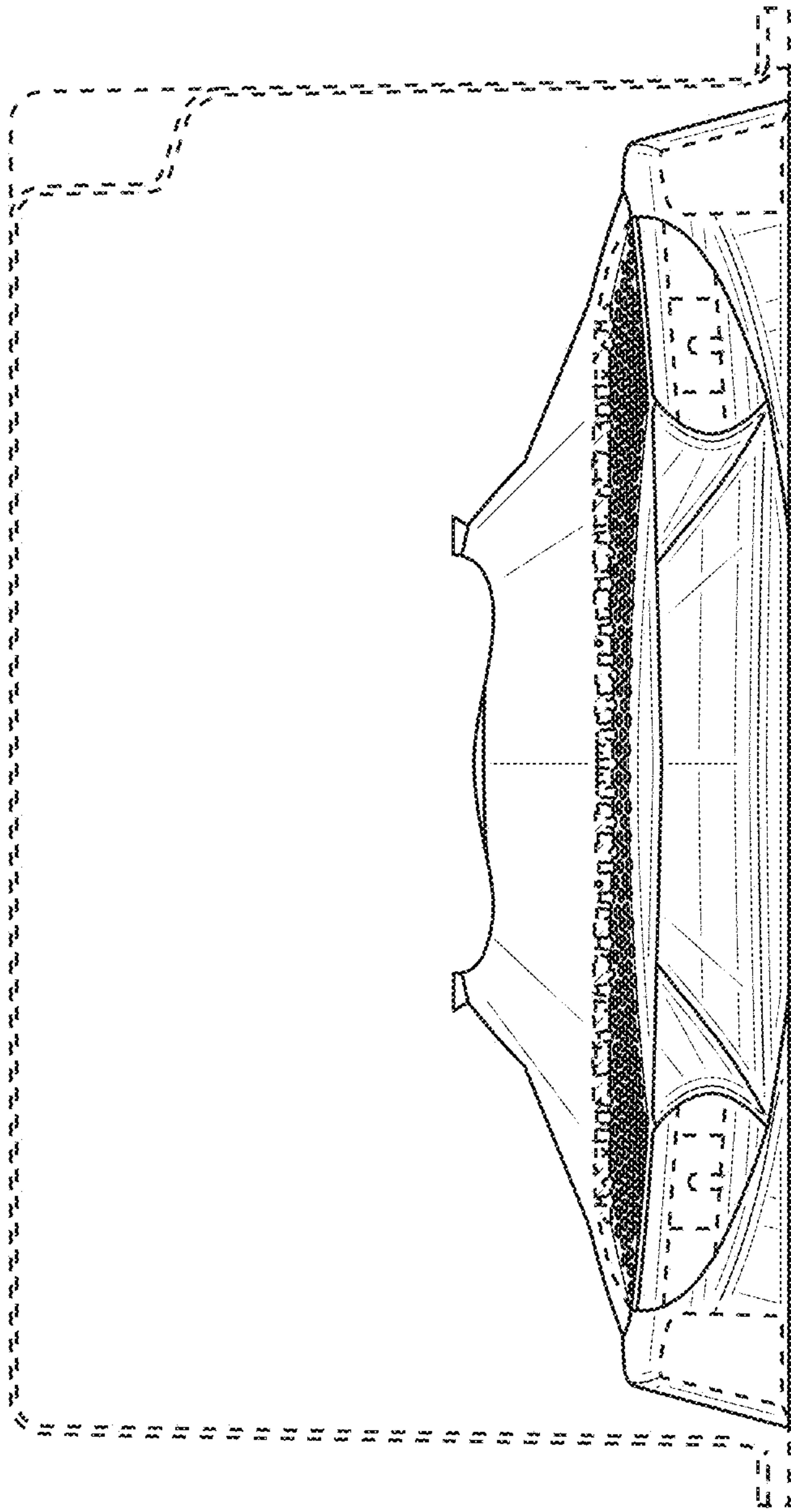


**FIG. 9**



**FIG. 10**





**FIG. 11**