



US00D924843S

(12) **United States Design Patent** (10) **Patent No.:** **US D924,843 S**  
**Kim et al.** (45) **Date of Patent:** **\*\* Jul. 13, 2021**

(54) **AUDIO PLAYER**

(56) **References Cited**

(71) Applicant: **LG ELECTRONICS INC.**, Seoul (KR)  
(72) Inventors: **Jun Ki Kim**, Seoul (KR); **Sungyong Park**, Seoul (KR); **Chulhee Lim**, Seoul (KR); **Chaelin Lee**, Seoul (KR)  
(73) Assignee: **LG ELECTRONICS INC.**, Seoul (KR)  
(\*\*) Term: **15 Years**

U.S. PATENT DOCUMENTS

D120,905 S *	6/1940	Bitter .....	D14/168
D182,158 S *	2/1958	Best .....	D14/184
3,512,606 A *	5/1970	Anastin .....	H04R 1/26 181/144
D371,787 S *	7/1996	Sohn .....	D14/188
D373,582 S *	9/1996	Hasegawa .....	D14/496
D516,537 S *	3/2006	Katsuraku .....	D14/168
D526,640 S *	8/2006	Chin .....	D14/188
D529,019 S *	9/2006	Lim .....	D14/172
D546,814 S *	7/2007	Takita .....	D14/168
D584,286 S *	1/2009	Kim .....	D14/214

(Continued)

(21) Appl. No.: **35/508,360**

(22) Filed: **May 21, 2019**

(80) **Hague Agreement Data**

Int. Filing Date: **May 21, 2019**  
Int. Reg. No.: **DM/205149**  
Int. Reg. Date: **May 21, 2019**  
Int. Reg. Pub. Date: **Jan. 17, 2020**

(30) **Foreign Application Priority Data**

Nov. 29, 2018 (KR) ..... 30-2018-0055918

(51) **LOC (13) Cl.** ..... **14-01**

(52) **U.S. Cl.**  
USPC ..... **D14/211**

(58) **Field of Classification Search**

USPC ..... D14/496-498, 501, 505-506, 511, 133, D14/135, 140.2-140.3, 140.5, 160, 162, D14/166-169, 172-173, 175, 179, 182, D14/184, 188, 193-194, 196-199, D14/202-203.1, 203.8, 204, 208, 209.1, D14/210-211, 212-216, 220-222, 224, D14/224.1; D6/657  
CPC ..... H04R 2400/00; H04R 1/16; H04R 1/026; H04R 1/02; H04R 1/00; H04R 1/025; H04R 1/028

See application file for complete search history.

OTHER PUBLICATIONS

Lee, Byoung Kyu, KR design No. 300704116, published at Orbit, publication date Aug. 6, 2013. Site visited Dec. 3, 2020. Available from Internet. (Year: 2013).\*

(Continued)

*Primary Examiner* — Kathleen L Jones

(74) *Attorney, Agent, or Firm* — Birch, Stewart, Kolasch & Birch LLP

(57) **CLAIM**

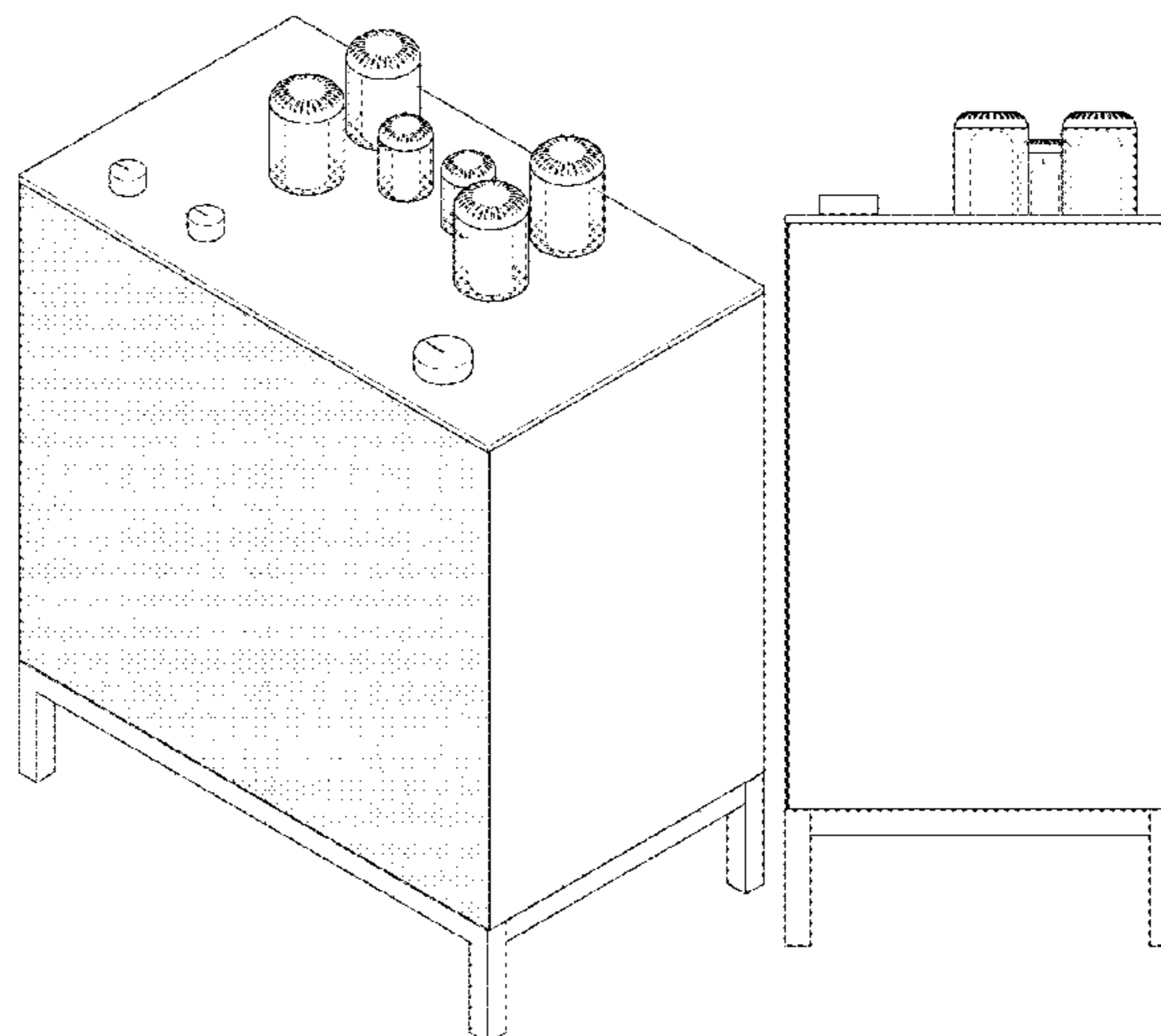
The ornamental design for an audio player, as shown and described.

**DESCRIPTION**

- 1. Audio player
- 1.1 : Perspective
- 1.2 : Front
- 1.3 : Back
- 1.4 : Left
- 1.5 : Right
- 1.6 : Top
- 1.7 : Bottom

The broken lines indicate portions of the article that form no part of the claimed design.

**1 Claim, 7 Drawing Sheets**



(56)

References Cited

U.S. PATENT DOCUMENTS

D607,283 S \* 1/2010 Mahan ..... D7/606  
 D610,589 S \* 2/2010 Chia ..... D14/496  
 D702,663 S \* 4/2014 Kim ..... D14/209.1  
 D759,628 S \* 6/2016 McManigal ..... D14/214  
 D763,221 S \* 8/2016 Kallin ..... D14/188  
 D776,085 S \* 1/2017 Tabarly ..... D14/207  
 D800,697 S \* 10/2017 Fischer ..... D14/214  
 D813,189 S \* 3/2018 Lundgard ..... D14/188  
 D814,437 S \* 4/2018 HonRDI ..... D14/168  
 D832,820 S \* 11/2018 Norell ..... D14/214  
 D842,274 S \* 3/2019 Kiong ..... D14/215  
 D847,115 S \* 4/2019 Li ..... D14/204  
 D872,053 S \* 1/2020 Lee ..... D14/211  
 D905,009 S \* 12/2020 Kim ..... D14/211  
 D905,010 S \* 12/2020 Kim ..... D14/211  
 2011/0155877 A1 \* 6/2011 Dennison ..... F16M 13/02  
 248/224.8  
 2014/0023221 A1 \* 1/2014 Weinstein ..... H04R 1/028  
 381/334

2017/0180675 A1 \* 6/2017 Kim ..... H04R 1/028  
 2017/0258223 A1 \* 9/2017 Stamper ..... G10G 5/00  
 2019/0058954 A1 \* 2/2019 Bellas ..... H04R 1/2888

OTHER PUBLICATIONS

Wang, Shihe, CN design No. 302599256, published at Orbit, publication date Oct. 9, 2013. Site visited Dec. 3, 2020. Available from Internet. (Year: 2013).\*

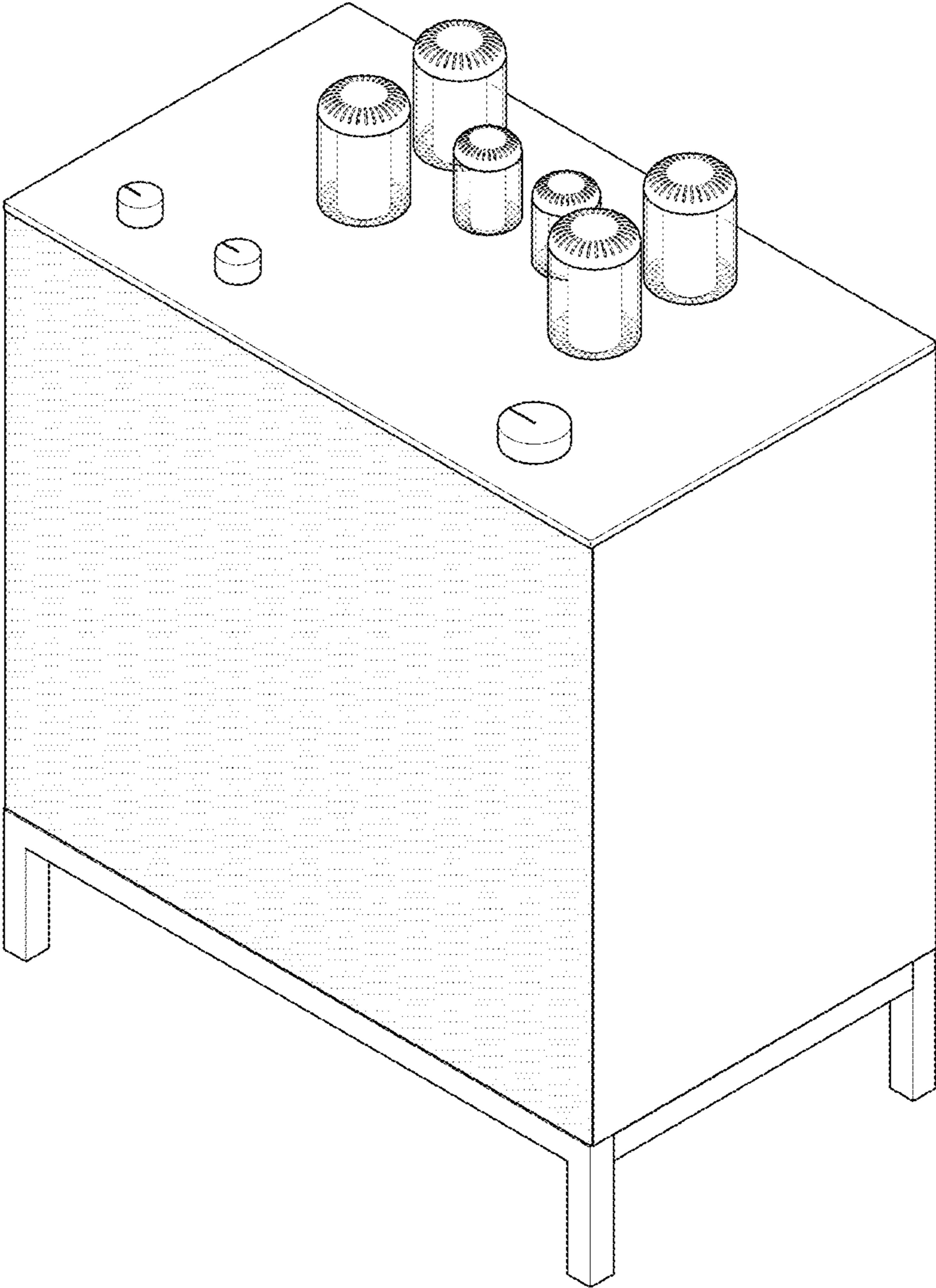
Zhou, Gongliang, CN design No. 303968941, published at Orbit, publication date Dec. 14, 2016. Site visited Dec. 3, 2020. Available from Internet. (Year: 2016).\*

K-502 Tube Amplifier Kit and DelSol Speaker, posted at DIY Audio Projects, posting date Apr. 5, 2007. Site visited Dec. 3, 2020. URL: <<https://diyaudioprojects.com/Tubes/K-502/>> (Year: 2007).\*

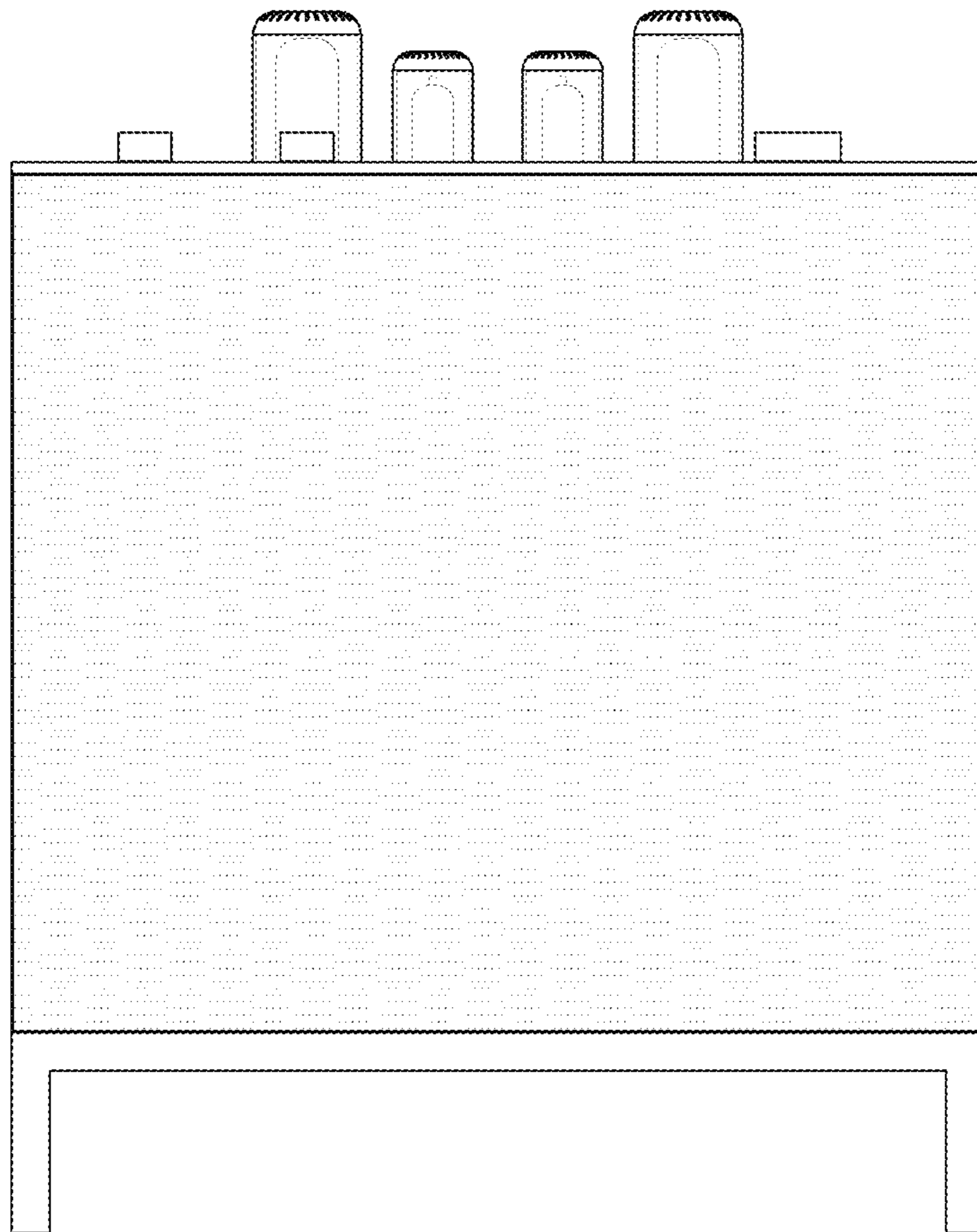
Denison, Caleb, Samsung DA-E750 Review, posted at Digital Trends, posting date Aug. 24, 2012. Site visited Dec. 3, 2020. URL: <<https://www.digitaltrends.com/wireless-speaker-reviews/samsung-da-e750-review/>> (Year: 2012).\*

\* cited by examiner

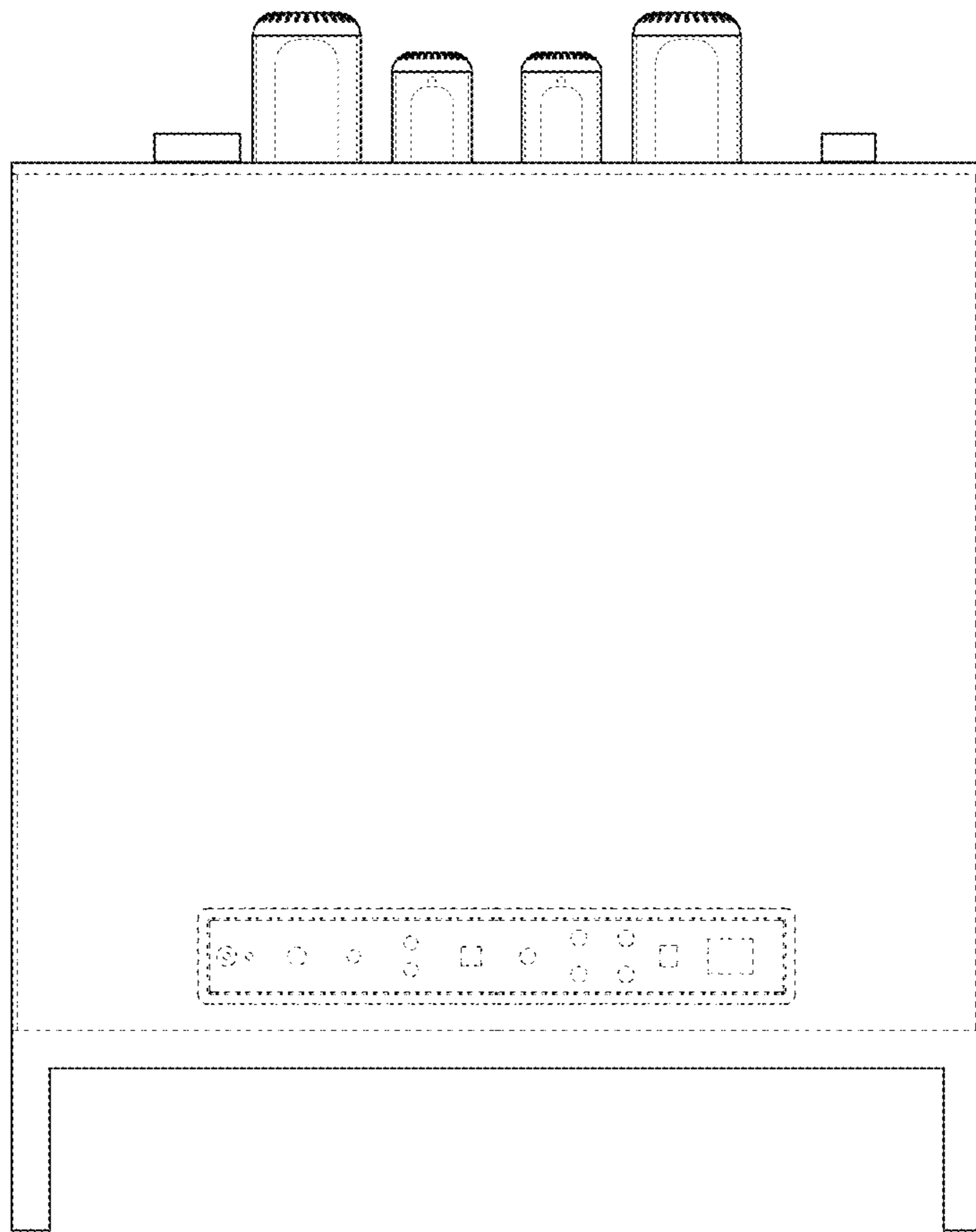
1.1



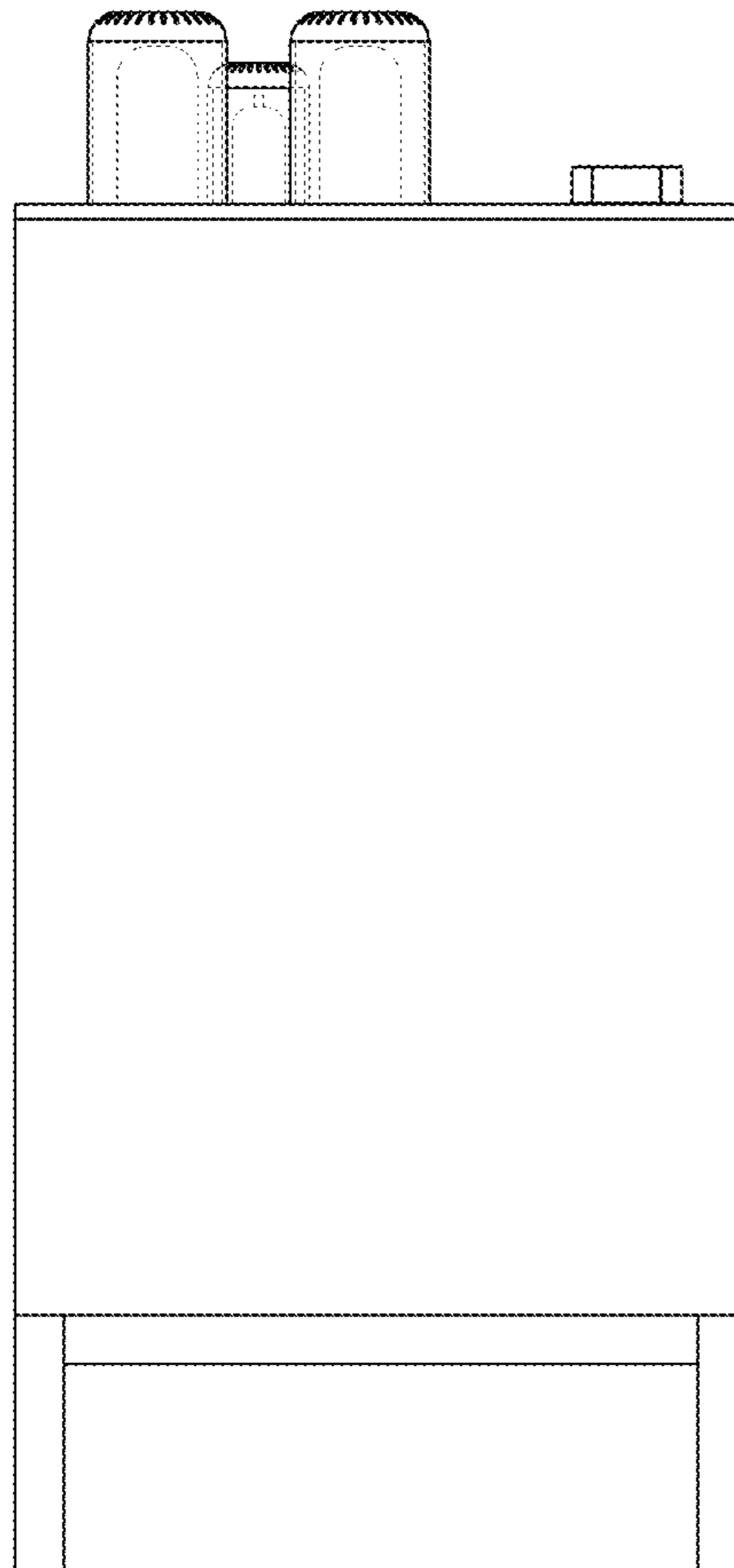
1.2



1.3

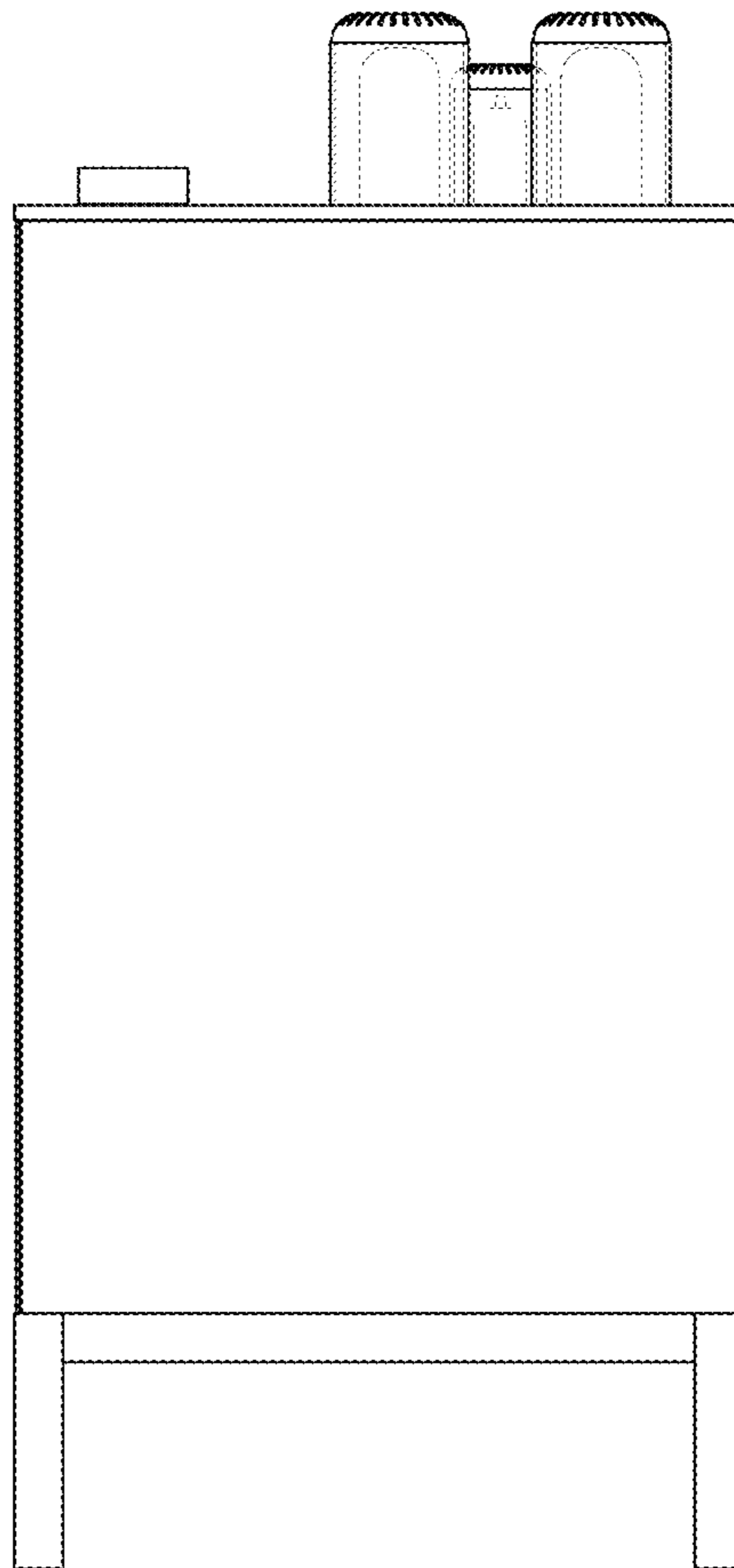


1.4

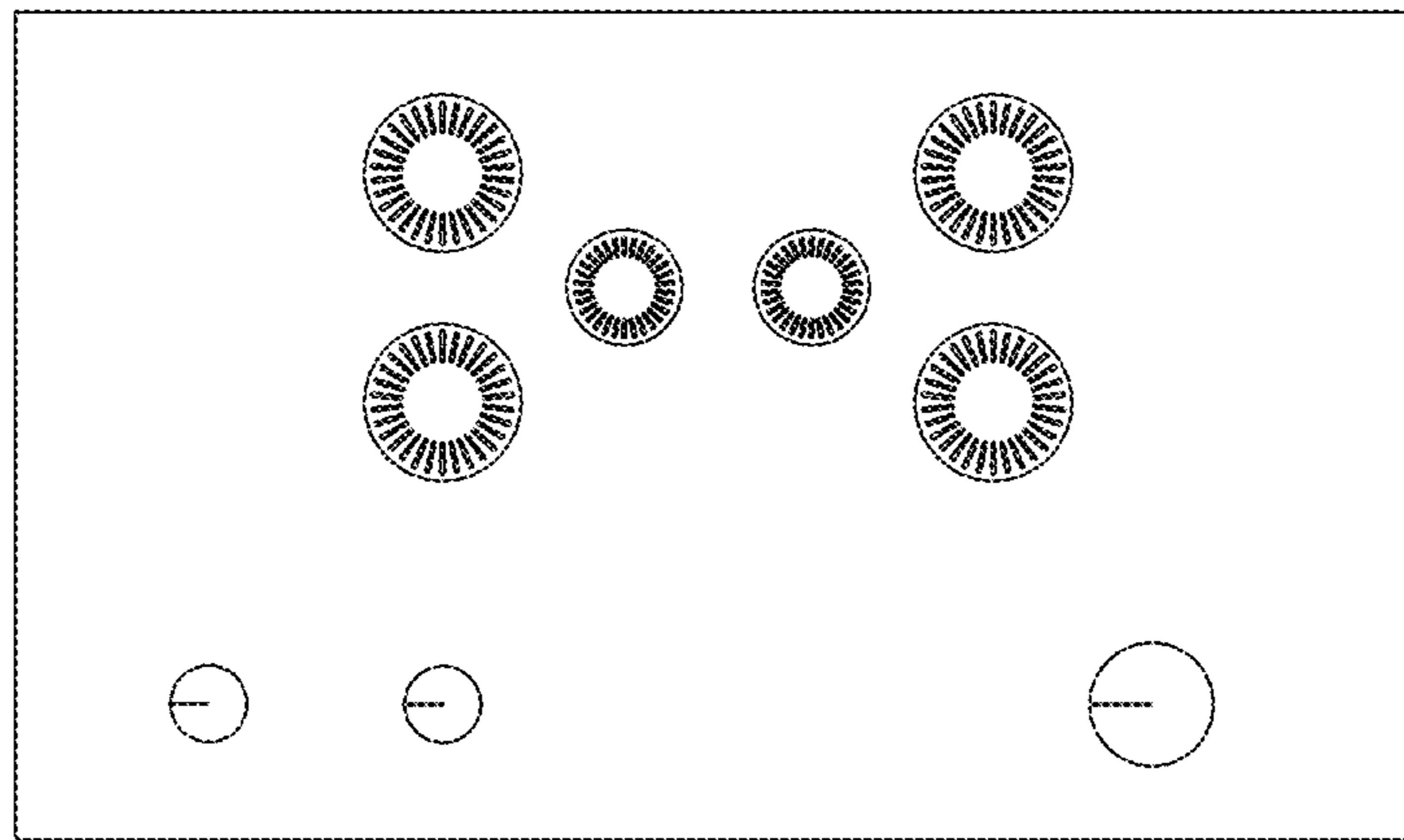




1.5



1.6





1.7

