



US00D924842S

(12) **United States Design Patent**
Chan

(10) **Patent No.:** **US D924,842 S**

(45) **Date of Patent:** **** Jul. 13, 2021**

(54) **HEADSET**

(71) Applicant: **KYE Systems Corp.**, New Taipei (TW)

(72) Inventor: **Chi-Wai Chan**, HongKong (CN)

(73) Assignee: **KYE SYSTEMS CORP.**, New Taipei (TW)

(**) Term: **15 Years**

(21) Appl. No.: **29/715,319**

(22) Filed: **Dec. 1, 2019**

(51) **LOC (13) Cl.** **14-01**

(52) **U.S. Cl.**
USPC **D14/206; D14/226**

(58) **Field of Classification Search**
USPC D14/206, 226, 225, 188, 192, 205;
D29/112; 2/209; 381/380, 381, 370,
381/374; 455/90.3, 575.1, 569.1
CPC H04R 25/00; H04R 25/02; H04R 1/10166;
H04R 1/1016; H04R 5/033; H04R
5/0335; H04R 19/04; H04R 11/04; H04R
1/1008; H04R 1/1041
See application file for complete search history.

(56) **References Cited**

U.S. PATENT DOCUMENTS

3,488,457	A	*	1/1970	Lahti	H04R 1/1008
						381/371
D233,444	S	*	10/1974	Christian	D14/206
D254,183	S	*	2/1980	Doodson	D14/205
D262,019	S	*	11/1981	Upshaw	D14/205
D272,904	S	*	3/1984	Kawano	D14/205
D299,337	S	*	1/1989	Wiegel	D14/206
D302,429	S	*	7/1989	Leer	D14/137
D395,894	S	*	7/1998	Hern	D14/227
D404,035	S	*	1/1999	Delazzer	D14/206
D447,472	S	*	9/2001	McGugan	D14/225
6,295,366	B1	*	9/2001	Haller	H04R 5/0335
						379/430
D449,040	S	*	10/2001	Weikel	D14/227

D457,155	S	*	5/2002	Skulley	D14/206
D497,357	S	*	10/2004	Allum	D14/206
D505,413	S	*	5/2005	Skulley	D14/223
D508,483	S	*	8/2005	Suzuki	D14/205
D514,087	S	*	1/2006	Wilson	D14/206
D517,527	S	*	3/2006	Suzuki	D14/205
D517,528	S	*	3/2006	Skulley	D14/206
D518,479	S	*	4/2006	Skulley	D14/225
D531,165	S	*	10/2006	Rath	D14/206
D540,303	S	*	4/2007	Rausch	D14/205
D549,688	S	*	8/2007	Suzuki	D14/205
D589,492	S	*	3/2009	Mistry	D14/205
D604,266	S	*	11/2009	Milde	D14/205

(Continued)

FOREIGN PATENT DOCUMENTS

EM	004058204-0003	*	6/2017
EM	008186340-0001	*	9/2020

Primary Examiner — Paula Allen Greene

(74) *Attorney, Agent, or Firm* — Bruce Stone LLP;
Joseph A. Bruce

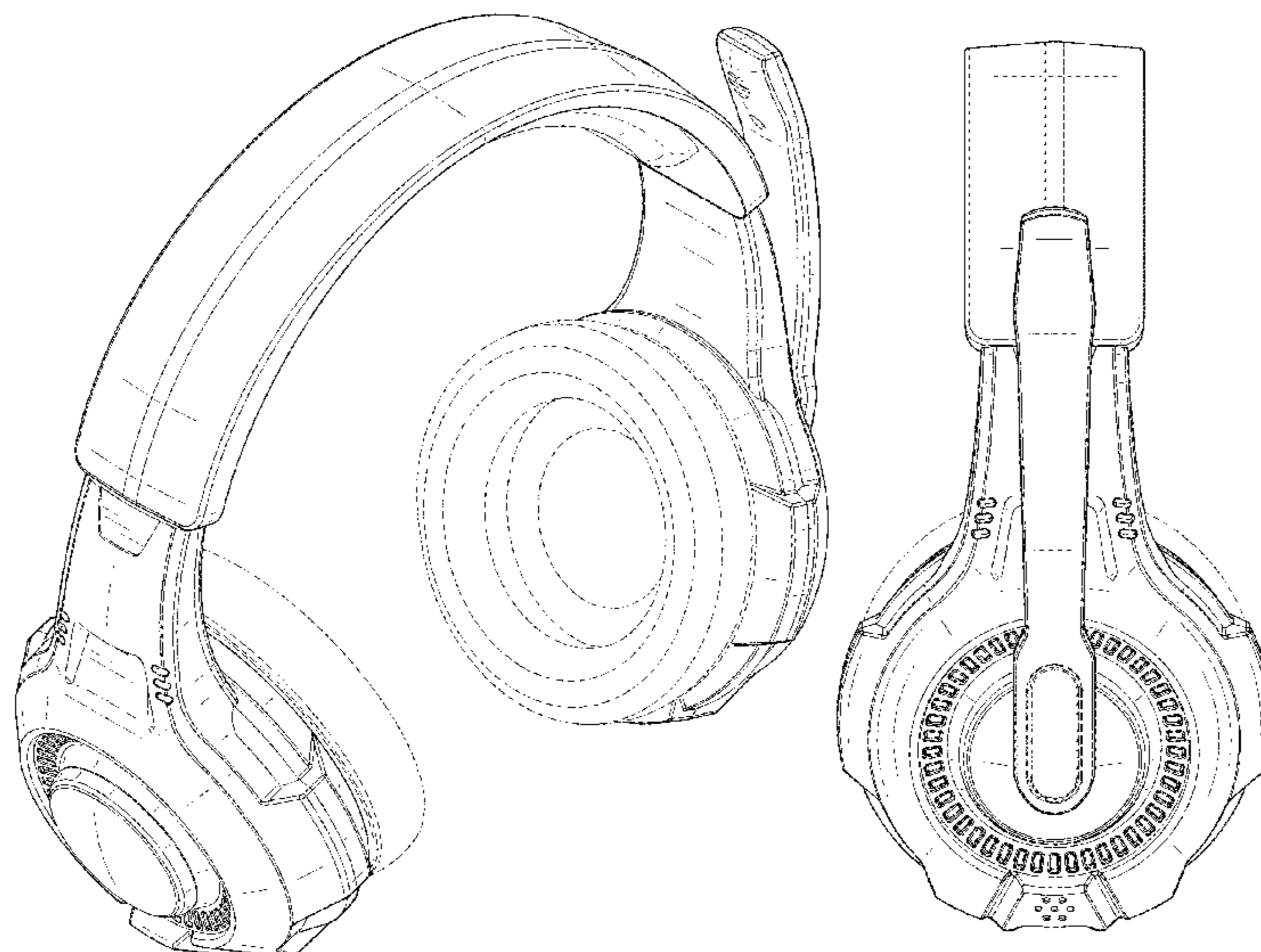
(57) **CLAIM**

The ornamental design for a headset, as shown and described.

DESCRIPTION

FIG. 1 is a front perspective view of a headset showing my new design;
FIG. 2 is a rear perspective view thereof;
FIG. 3 is a front elevational view thereof;
FIG. 4 is a rear elevational view thereof;
FIG. 5 is a left side elevational view thereof;
FIG. 6 is a right side elevational view thereof;
FIG. 7 is a top plan view thereof; and,
FIG. 8 is a bottom plan view thereof.
The broken lines in the drawings depict portions of the headset that form no part of the claimed design.

1 Claim, 8 Drawing Sheets



(56)

References Cited

U.S. PATENT DOCUMENTS

D641,727 S * 7/2011 Krauss D14/206
 D645,023 S * 9/2011 Brandis D14/206
 D647,081 S * 10/2011 Kwon D14/223
 D662,490 S * 6/2012 McSweyn D14/205
 D666,993 S * 9/2012 Kelley D14/205
 D667,388 S * 9/2012 Kelley D14/206
 D672,745 S * 12/2012 Abed D14/205
 D673,522 S * 1/2013 Iijima D14/205
 D723,508 S * 3/2015 Garland D14/205
 D723,509 S * 3/2015 Garland D14/205
 D724,561 S * 3/2015 Ko D14/205
 D725,074 S * 3/2015 Boeckel D14/205
 D725,636 S * 3/2015 McNamara D14/223
 9,036,849 B2 * 5/2015 Thompson H04R 1/083
 381/375
 D741,286 S * 10/2015 Brennwald D14/205
 D745,859 S * 12/2015 Kiuchi D14/205
 D746,791 S * 1/2016 Yuen D14/205
 D765,055 S * 8/2016 Hsieh D14/205
 D769,219 S * 10/2016 Ohmachi D14/205

D778,258 S * 2/2017 Hsu D14/205
 D778,874 S * 2/2017 Lin D14/205
 D788,071 S * 5/2017 Logan D14/205
 D808,359 S * 1/2018 Meyer D14/205
 D815,614 S * 4/2018 Tzeng D14/205
 D824,360 S * 7/2018 Hsieh D14/205
 D834,260 S * 11/2018 Garcia Mansilla D29/112
 D851,064 S * 6/2019 Wang D14/206
 D866,515 S * 11/2019 Long D14/206
 D870,696 S * 12/2019 Deng D14/206
 D870,698 S * 12/2019 Long D14/206
 D876,392 S * 2/2020 Zhou D14/206
 D886,078 S * 6/2020 He D14/206
 D891,399 S * 7/2020 Chen D14/206
 D901,439 S * 11/2020 Chen D14/206
 D910,596 S * 2/2021 Shen D14/206
 D914,637 S * 3/2021 Shen D14/206
 D917,421 S * 4/2021 Zheng D14/205
 2010/0040252 A1 * 2/2010 Thompson H04R 1/083
 381/375
 2011/0194721 A1 * 8/2011 Schmidt H04M 1/05
 381/370
 2019/0379962 A1 * 12/2019 Navid H04R 1/38

* cited by examiner

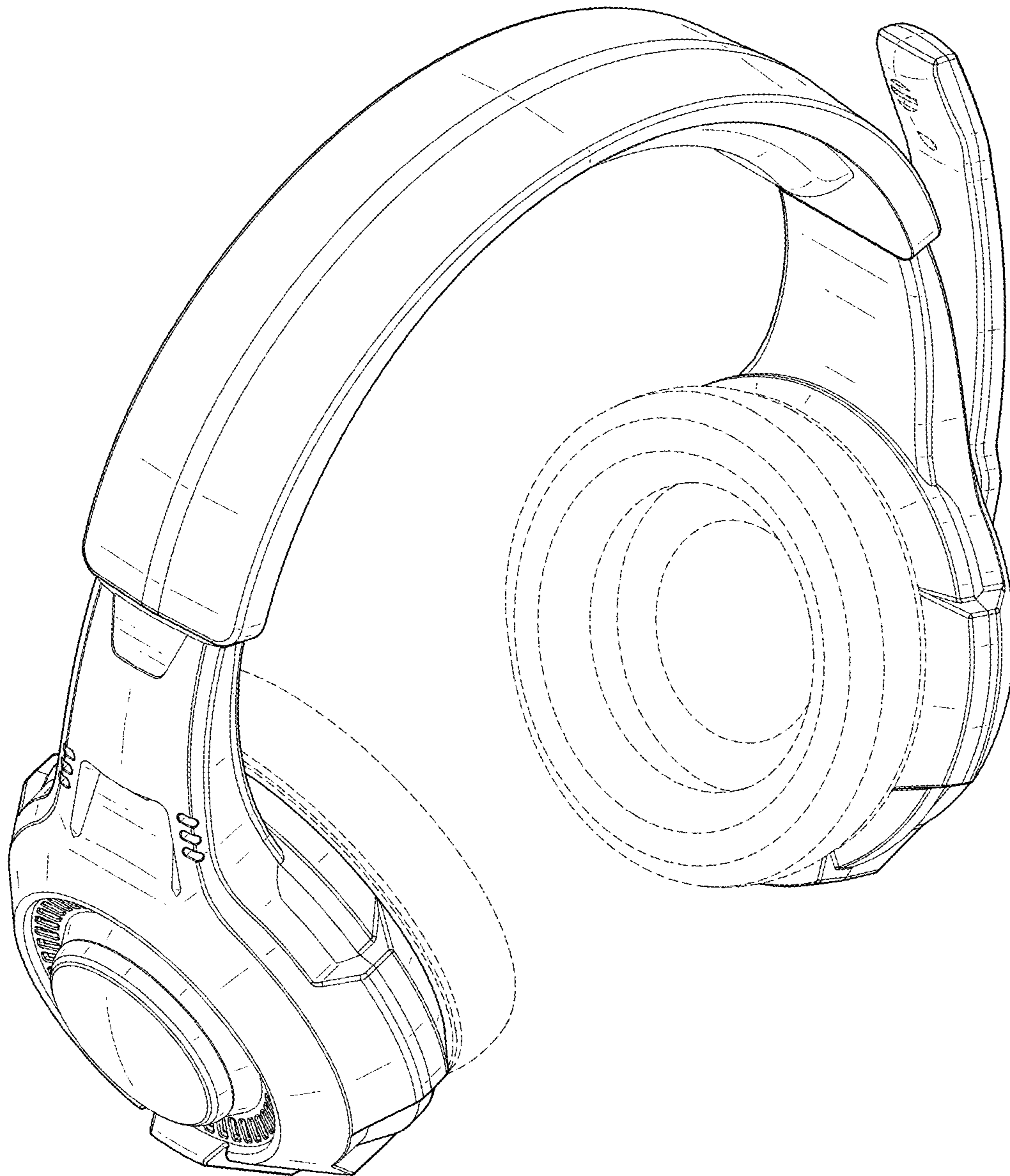


FIG.1

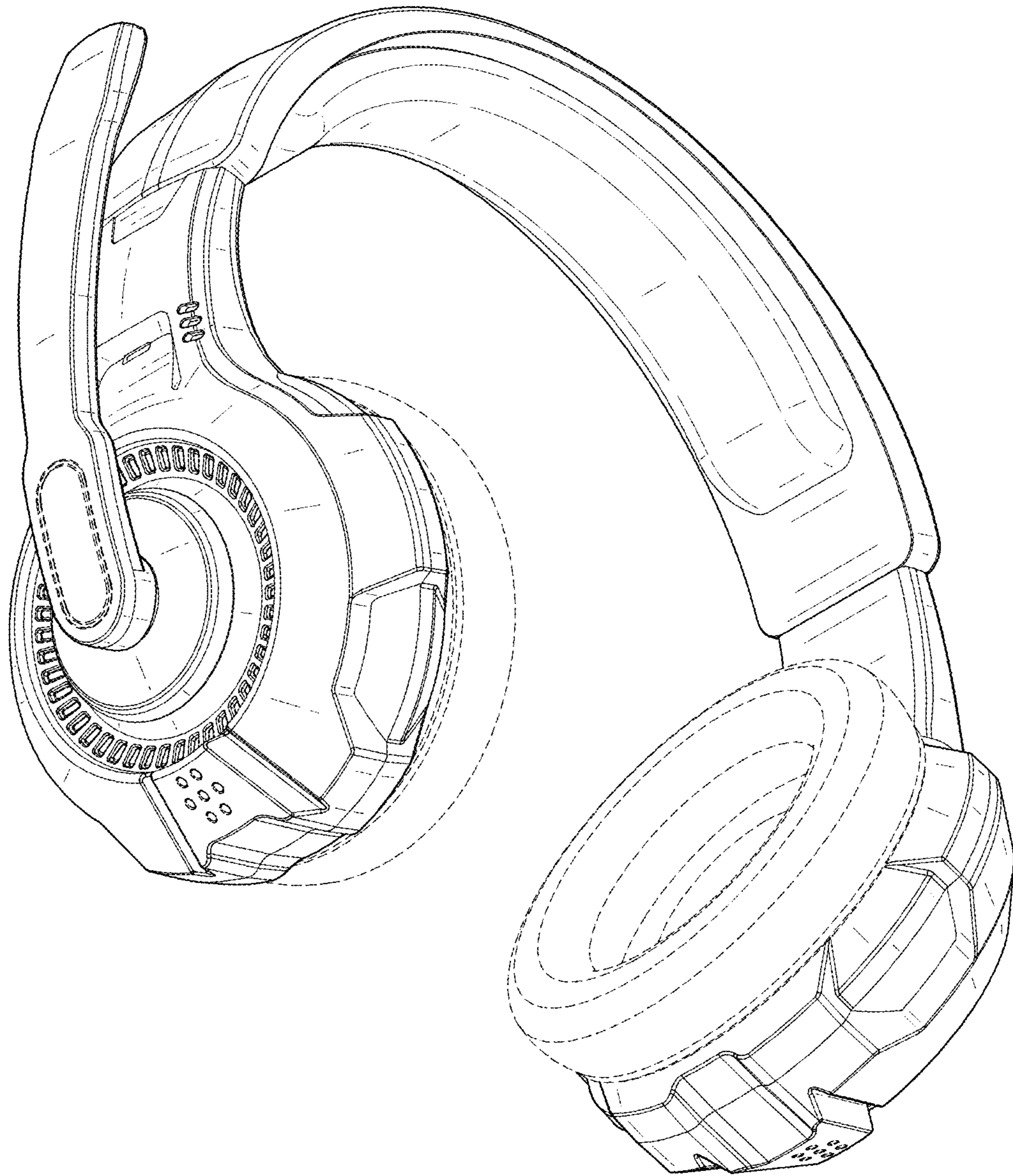


FIG.2

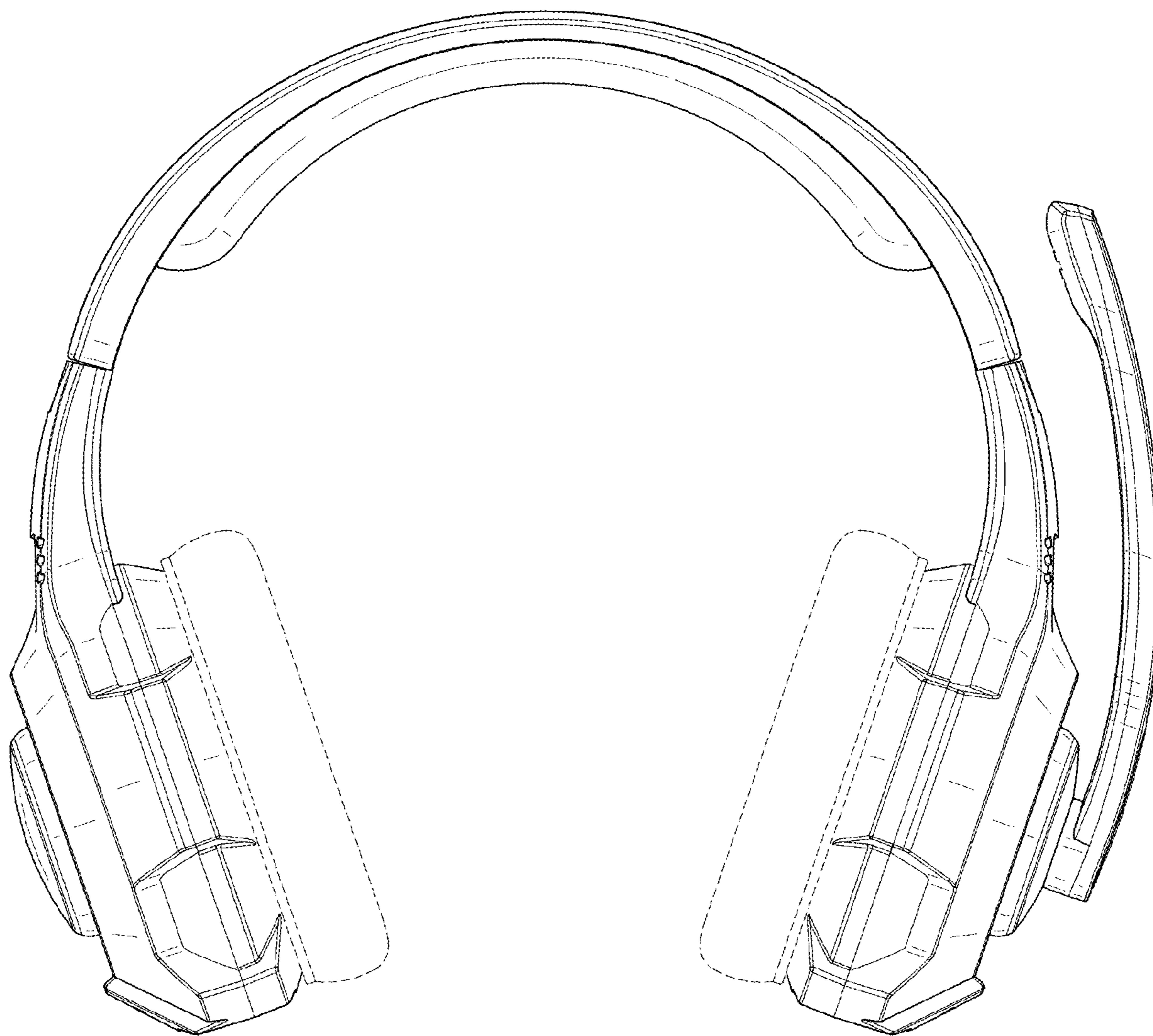


FIG.3

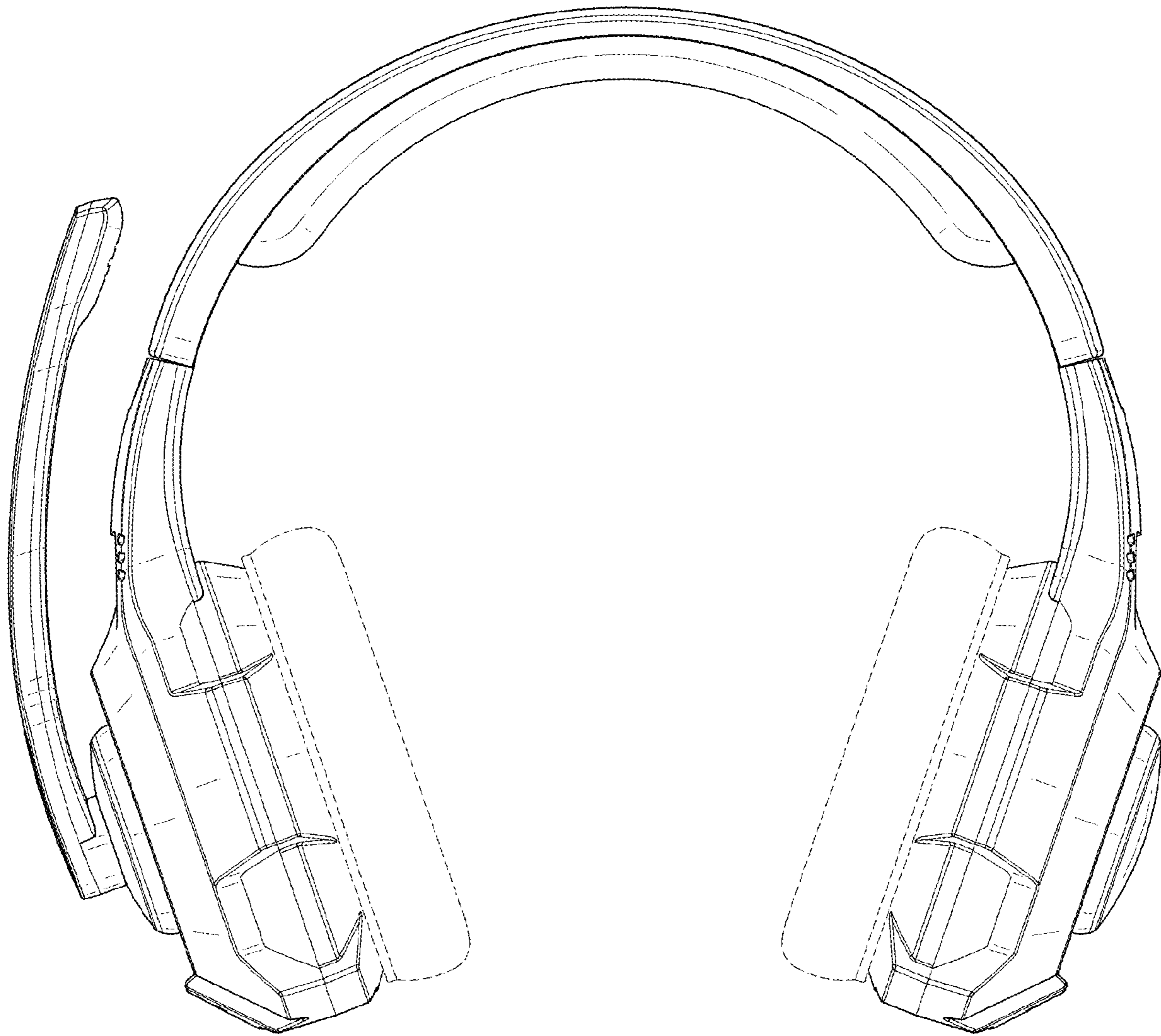


FIG.4

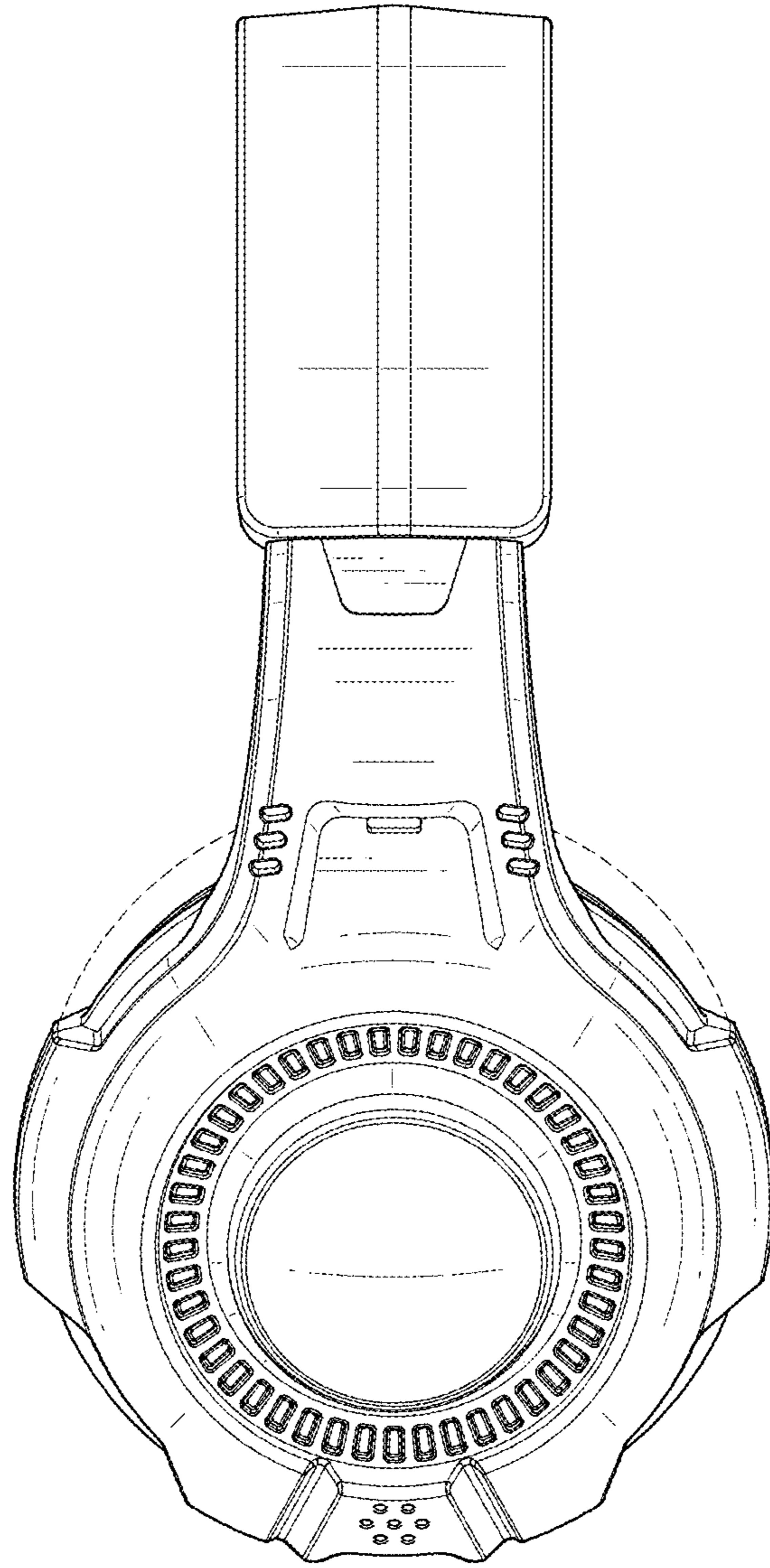


FIG.5

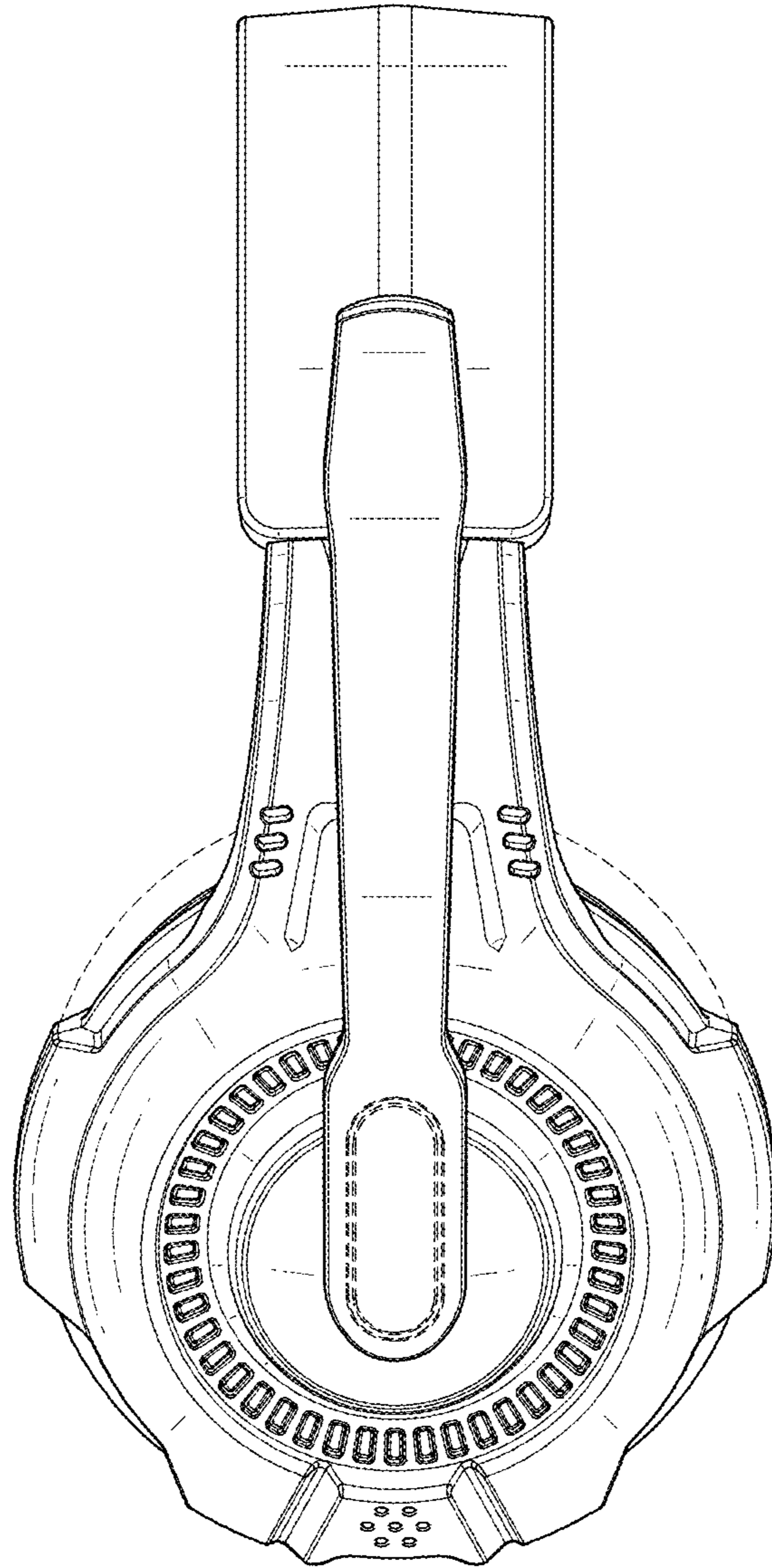


FIG. 6

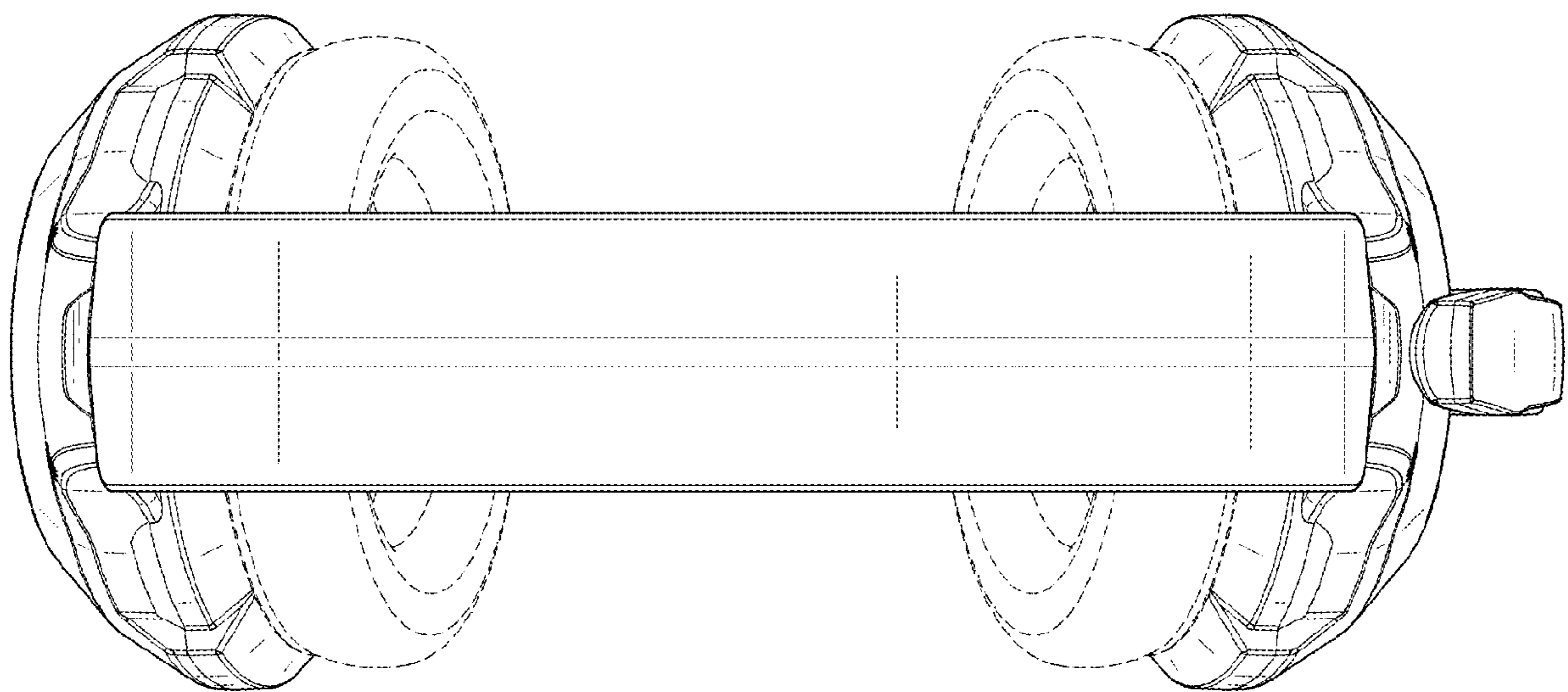


FIG. 7

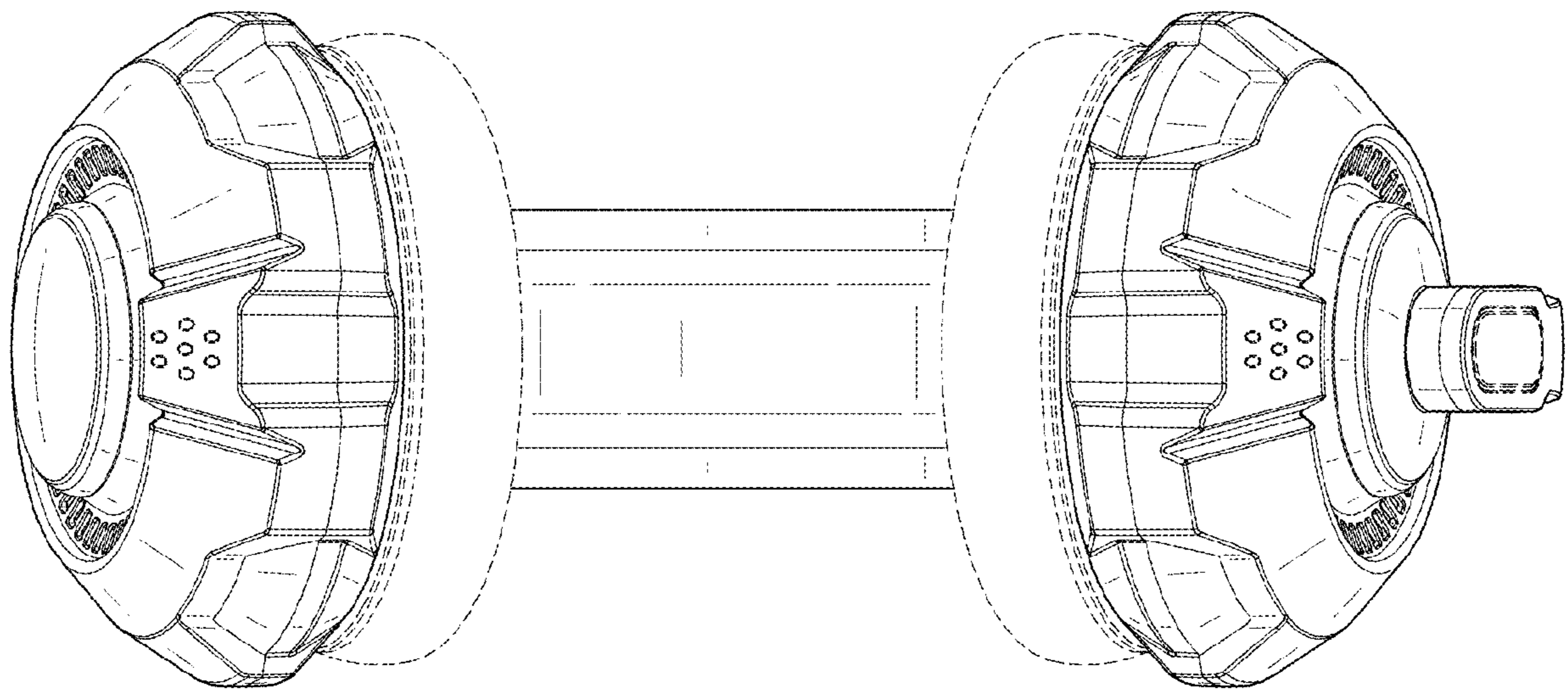


FIG. 8