



US00D924841S

(12) **United States Design Patent** (10) **Patent No.:** **US D924,841 S**
Yuan (45) **Date of Patent:** **** Jul. 13, 2021**

(54) **THREE-LAYER TILTED HEAD EARPLUGS**
(71) Applicant: **SHENZHEN YUNDE TECHNOLOGY CO., LTD.**, Shenzhen (CN)
(72) Inventor: **Jinniu Yuan**, Shenzhen (CN)
(73) Assignee: **SHENZHEN YUNDE TECHNOLOGY CO., LTD.**, Shenzhen (CN)

5,481,251 A * 1/1996 Buys H03J 1/0025 340/12.22
5,726,388 A * 3/1998 Ferland H01R 13/5833 174/135
D409,743 S * 5/1999 Falco D24/106
D427,304 S * 6/2000 Magidson D24/106
6,440,339 B1 * 8/2002 Magidson A61F 11/08 264/157
6,767,255 B1 * 7/2004 Crosswell H01R 25/003 439/106
D524,297 S * 7/2006 Lee D14/218
(Continued)

(**) Term: **15 Years**
(21) Appl. No.: **29/766,634**
(22) Filed: **Jan. 17, 2021**
(51) **LOC (13) Cl.** **14-01**
(52) **U.S. Cl.**
USPC **D14/205**
(58) **Field of Classification Search**
USPC D14/205, 223, 217, 218; D24/106, 174; D13/153, 154, 168; 181/135; 381/380, 381/381; 455/90.3, 575.1, 569.1
CPC H04R 25/00; H04R 1/10; H04R 1/1058; H04R 1/1033; H04R 1/1083; H04R 5/033; H04R 5/0335; H04R 1/1066; H04R 1/1016
See application file for complete search history.

FOREIGN PATENT DOCUMENTS

EM 007307301-0002 * 11/2019
Primary Examiner — Paula Allen Greene
(74) *Attorney, Agent, or Firm* — Law Offices of Steven W. Weinrieb

(57) **CLAIM**

The ornamental design for a three-layer tilted head earplugs, as shown and described.

DESCRIPTION

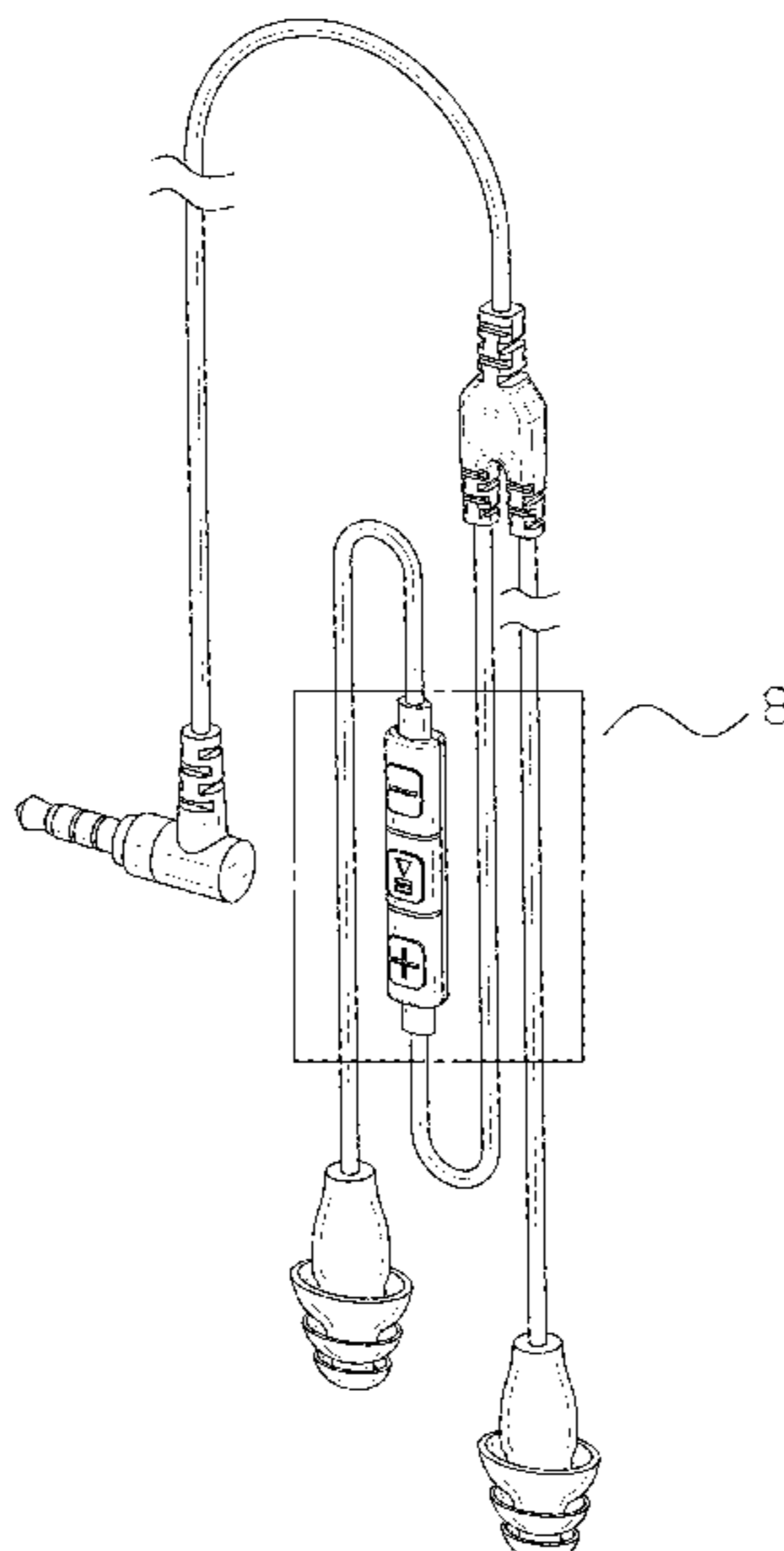
FIG. 1 is a front, right side, top perspective view of a three-layer tilted head earplugs showing my new design; FIG. 2 is a front elevational view thereof; FIG. 3 is a rear elevational view thereof; FIG. 4 is a left side elevational view thereof; FIG. 5 is a right side elevational view thereof; FIG. 6 is a top plan view thereof; FIG. 7 is a bottom plan view thereof; and, FIG. 8 is an enlarged, detailed view of the region denoted by the reference number 8 in FIG. 1. The broken lines depict portions of the three-layer tilted head earplugs that form no part of the claimed design. The cord is shown with a symbolic break in its length. The appearance of any portion of the article between the break lines forms no part of the claimed design.

(56) **References Cited**

U.S. PATENT DOCUMENTS

D245,202 S * 7/1977 Asker D24/106
4,219,018 A * 8/1980 Draper, Jr. A61F 11/08 128/864
4,867,149 A * 9/1989 Falco A61F 11/08 128/864
4,936,411 A * 6/1990 Leonard A61F 11/08 128/864
D347,208 S * 5/1994 Martin D13/133
D356,293 S * 3/1995 Riley D13/133

1 Claim, 8 Drawing Sheets



(56)

References Cited

U.S. PATENT DOCUMENTS

D532,111 S * 11/2006 Espersen
7,213,916 B1 * 5/2007 Pettett A61F 11/12
351/123
D564,971 S * 3/2008 Victor D13/146
D575,227 S * 8/2008 So D13/110
D624,902 S * 10/2010 Kolton D14/205
D652,817 S * 1/2012 Lee D14/205
D682,809 S * 5/2013 Fletcher D14/205
D685,343 S * 7/2013 Fletcher D14/205
D685,750 S * 7/2013 Nakagawa D13/168
D685,761 S * 7/2013 Fletcher D14/205
D687,410 S * 8/2013 Fletcher D14/205
D693,326 S * 11/2013 Takeno D14/205
8,655,006 B2 * 2/2014 Aase B29C 43/203
381/384
8,743,533 B2 * 6/2014 Stanley H01H 9/0228
361/679.01
D718,273 S * 11/2014 Harata D14/205

9,031,264 B2 * 5/2015 Yang H04R 1/1033
381/189
D738,863 S * 9/2015 Laffon de Mazieres D14/223
D767,532 S * 9/2016 Jen D14/205
D774,490 S * 12/2016 Lin D14/205
D776,635 S * 1/2017 Chang et al.
D777,139 S * 1/2017 Fletcher D14/205
9,655,399 B1 * 5/2017 Supper H04B 3/20
D818,260 S * 5/2018 Andersen et al.
D830,336 S * 10/2018 Cai
D836,598 S * 12/2018 Chen D14/205
D855,580 S * 8/2019 Ma
D856,307 S * 8/2019 Maeda D14/218
D875,709 S * 2/2020 Yuanfa D14/205
D895,572 S * 9/2020 Maeda et al.
D895,575 S * 9/2020 Aoyagi D14/217
D896,202 S * 9/2020 Mo
2011/0044487 A1 * 2/2011 Nault H04R 1/1033
381/380
2016/0142808 A1 * 5/2016 Monahan H04R 5/033
381/384

* cited by examiner

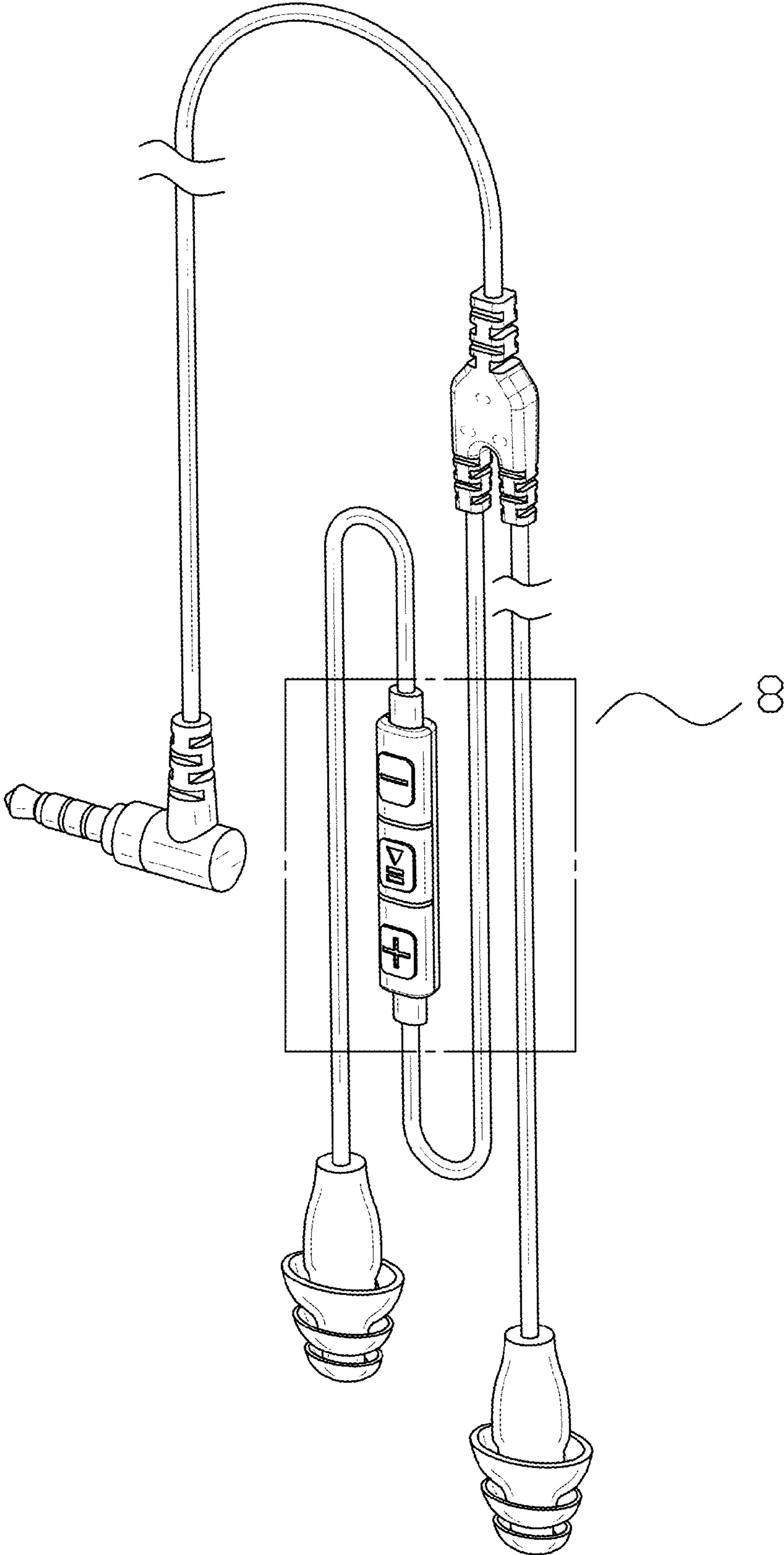


FIG.1

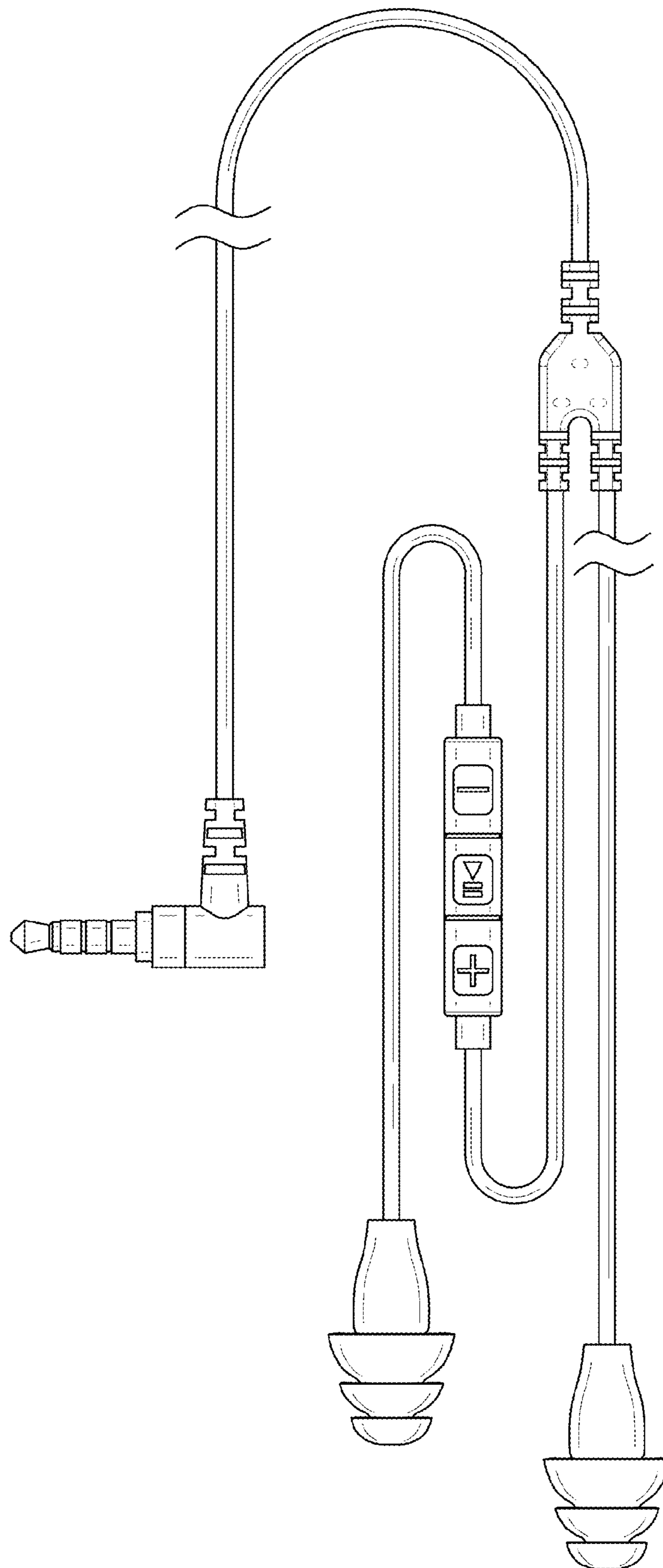


FIG.2

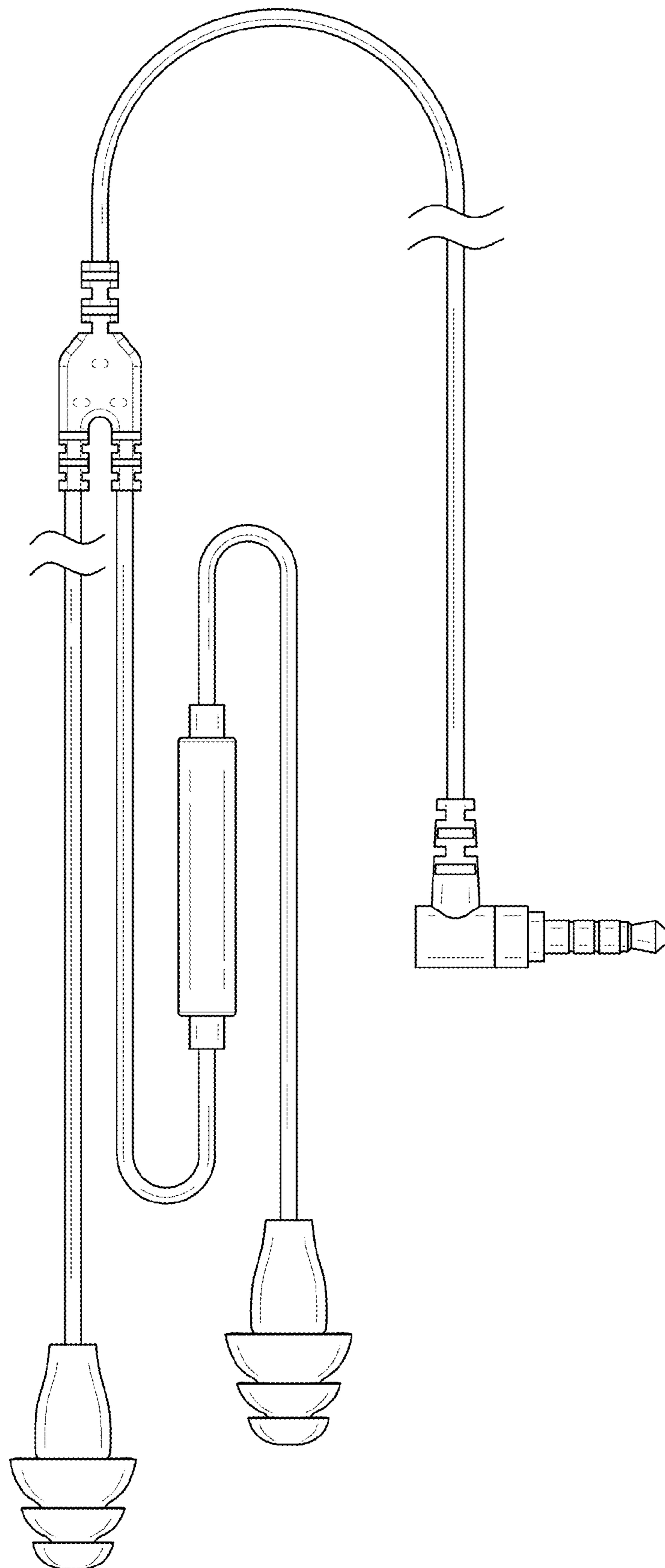


FIG.3

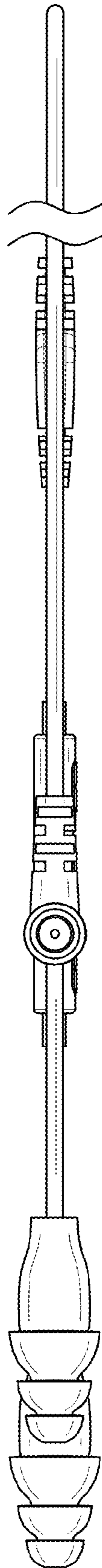


FIG.4

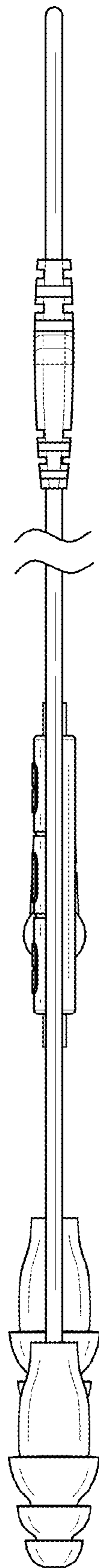


FIG.5

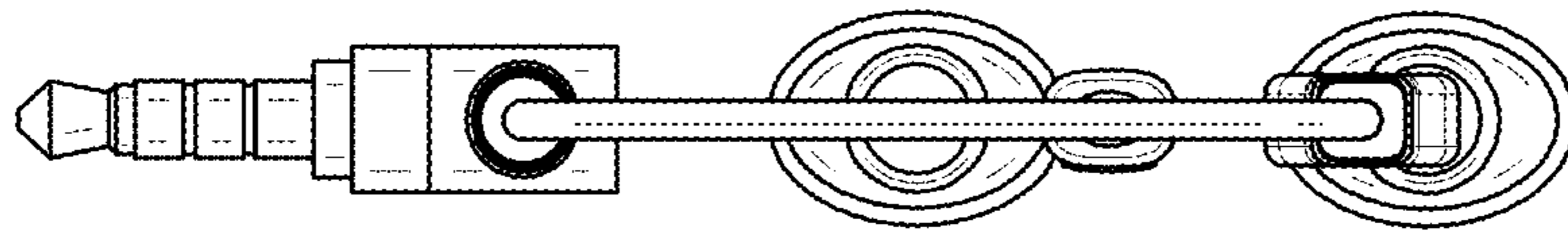


FIG.6

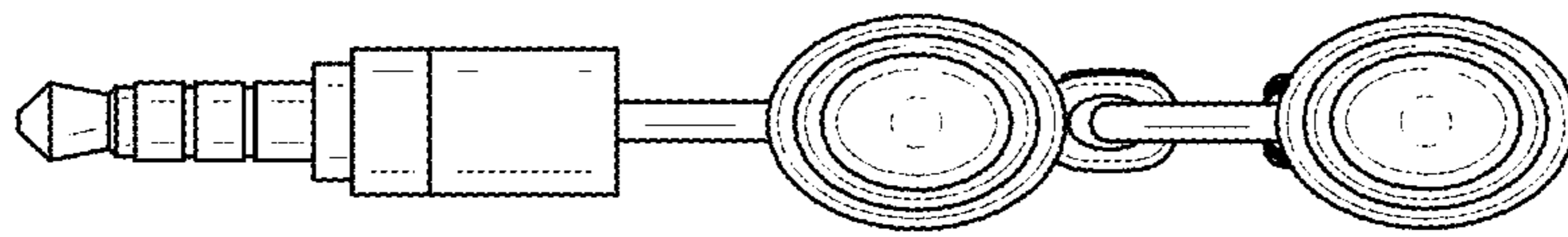


FIG. 7

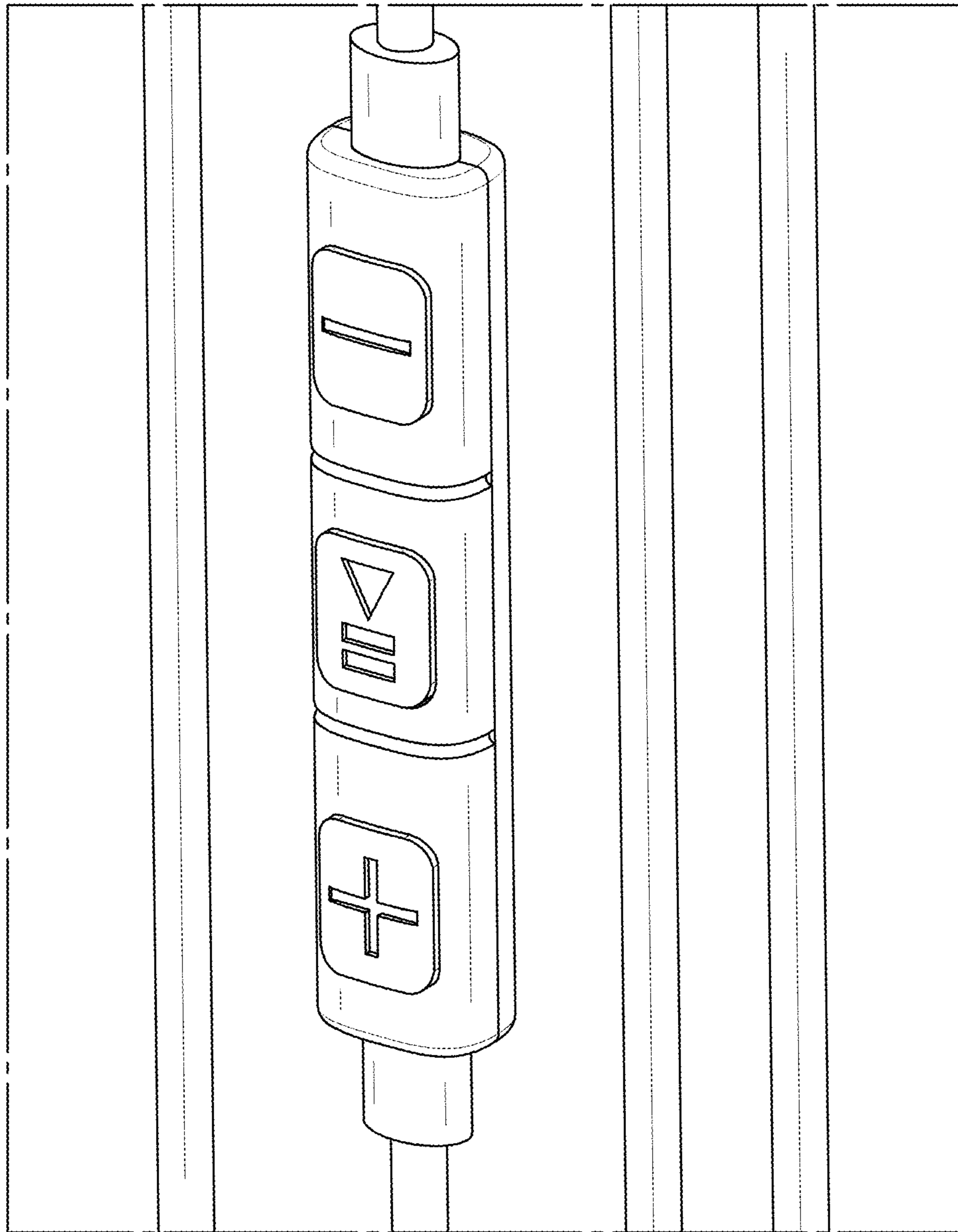


FIG.8